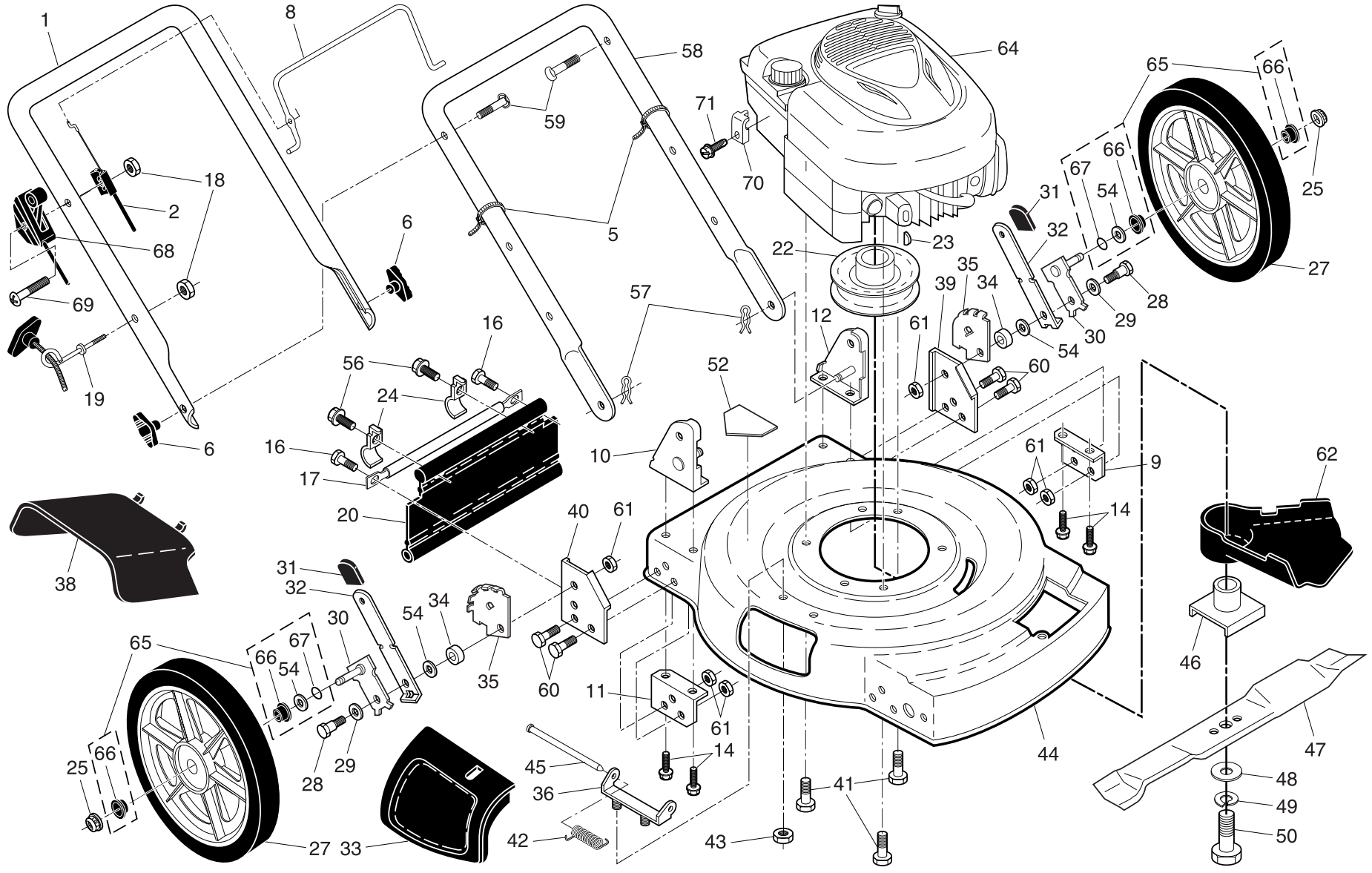


# ROTARY LAWN MOWER - - MODEL NUMBER PR62522SH (PR62522SHB)



2

www.mymowerparts.com

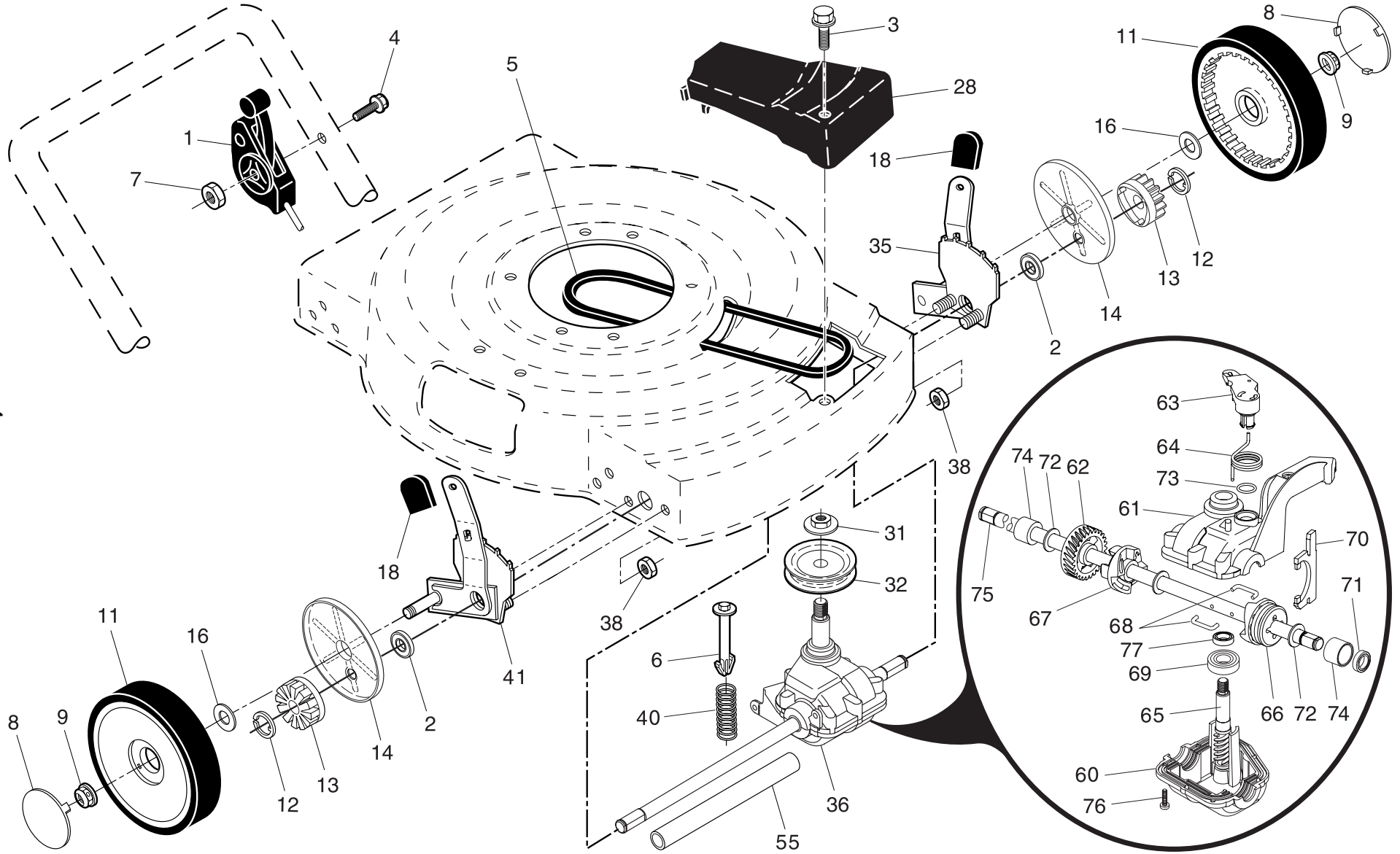
For Parts Call K&T 606-678-9623 or 606-561-4983

## ROTARY LAWN MOWER - - MODEL NUMBER PR62522SH (PR62522SHB)

KEY NO.	PART NO.	DESCRIPTION	KEY NO.	PART NO.	DESCRIPTION
1	166860X479	Upper Handle	45	147286	Rod, Hinge
2	149293	Engine Zone Control Cable	46	184590	Adapter, Blade
5	66426	Wire Tie	47	192682	Blade, 22"
6	136376	Handle Knob	48	851074	Washer, Hardened
8	146771	Control Bar	49	850263	Washer, Lock, Helical Spring
9	153282X479	Support Bracket, Handle, LH	50	851084	Screw, Hex Head 3/8-24 x 1-3/8 (Grade 8)
10	170345X479	Handle Bracket Assembly, RH	52	107339X	Decal, Danger
11	153350X479	Support Bracket, Handle, RH	54	88348	Washer, Flat 3/8
12	170346X479	Handle Bracket Assembly, LH	56	750097	Screw, Hex Washer Head #10-24 x 1/2
14	149741	Screw, Thread Cutting 5/16-18 x 3/4	57	51793	Hairpin Cotter
16	54583	Screw, Support Rod	58	151590X479	Lower Handle
17	165175X479	Rod, Support	59	131959	Handle Bolt
18	132004	Locknut, Keps 1/4-20	60	74760612	Bolt, Hex Head 3/8-16 x 3/4
19	179585	Rope Guide	61	751592	Locknut, Hex 3/8-16
20	189008	Rear Deflector	62	182002	Debris Shield
22	184941	Pulley, Engine	64	---	Engine, Briggs & Stratton, Model Number 123K02 (For engine service and replacement parts, call Briggs & Stratton at 1-800-233-3723)
23	187723	Hi-Pro Key			
24	87584X004	Bracket, Deflector	65	<b>193498</b>	Kit, Bushing, High Wheel
25	83923	Locknut, Hex 3/18-16	66	<b>193028X428</b>	Bushing, Nylon, Black
27	181383	Wheel & Tire Assembly, Rear, 14"	67	<b>188152</b>	O-Ring
28	142748	Bolt, Shoulder 3/8-16 x 1	68	170294	Throttle Control
29	61651	Belleville Washer	69	183365	Screw, Hex Head 1/4-20 x 2-11/64
30	180413X004	Axle Arm Assembly	70	111190	Clamp
31	170143	Knob, Selector	71	83816	Screw #10 x 5/8
32	700331X004	Spring, Selector	--	162300	Warning Decal (not shown)
33	151889	Mulcher Door	--	172787	Operator's Manual, English
34	146630	Spacer	--	172788	Operator's Manual, French
35	750085X007	Bracket, Wheel Adjuster	--	193311	Repair Parts Manual, English / French
36	154132	Bracket, Housing			
38	176509	Deflector, Discharge			
39	700168X479	Support Bracket, LH			
40	700166X479	Support Bracket, RH			
41	150406	Screw, Hex Head, Threaded, Rolled 3/8-16 x 1-1/8			
42	152124	Spring, Torsion			
43	73800400	Locknut, Hex 1/4-20			
44	188860	Lawn Mower Housing (Includes Key Number 52)			
					Available accessories not included with lawn mower:
			--	GCK5000	Grass Catcher Assembly

**NOTE:** All component dimensions given in U.S. inches.  
1 inch = 25.4 mm

# ROTARY LAWN MOWER - - MODEL NUMBER PR62522SH (PR62522SHB)



For Parts Call K&T 606-678-9623 or 606-561-4983

# ROTARY LAWN MOWER - - MODEL NUMBER PR62522SH (PR62522SHB)

KEY NO.	PART NO.	DESCRIPTION
1	184587	Control Cable Assembly
2	88058	Bearing, Wheel Adjuster
3	143603	Pan Head Tapping Screw #10-24 x 2-3/4
4	158755	Hex Washer Head Screw 1/4-20 x 2.12
5	146527	V-Belt
6	150495	Spring Retainer
7	191730	Nut, Hex, Flanged 1/4-20
8	77400	Hubcap
9	145212	Locknut
11	180766	Wheel & Tire Assembly
12	12000058	E-Ring
13	137054	Pinion
14	180504	Dust Cover
16	67725	Washer 1/2 x 1-1/2 x .134
18	170143	Selector Knob
28	190705X428	Drive Cover
31	132010	Hex Flange Nut
32	189407	Drive Pulley
35	152018	Kit, Wheel Adjuster, LH (Includes Knob and Bearing)
36	187211	Gear Case Assembly, Complete
37	137090	Spring
38	73800400	Locknut, Hex 1/4-20

KEY NO.	PART NO.	DESCRIPTION
41	152019	Kit, Wheel Adjuster, RH (Includes Knob and Bearing)
55	86012	Driveshaft Cover
60	183497	Case, Lower (Use Dow Corning #709 to reseal)
61	183498	Case, Upper (Use Dow Corning #709 to reseal)
62	183499	Gear, 27 Teeth
63	183500	Lever, Clutch
64	183501	Spring, Return
65	183502	Shaft, Input
66	183503	Dog, Movable
67	183504	Dog, Fixed
68	183505	Wire, Formed
69	183506	Bearing, Ball
70	183507	Fork, Shift
71	183508	Seal, Output Shaft
72	183509	Washer
73	183510	Seal, Case
74	183511	Bushing
75	187521	Shaft, Output
76	183513	Screw
77	183514	Seal, Input Shaft

**NOTE:** All component dimensions given in U.S. inches.  
1 inch = 25.4 mm