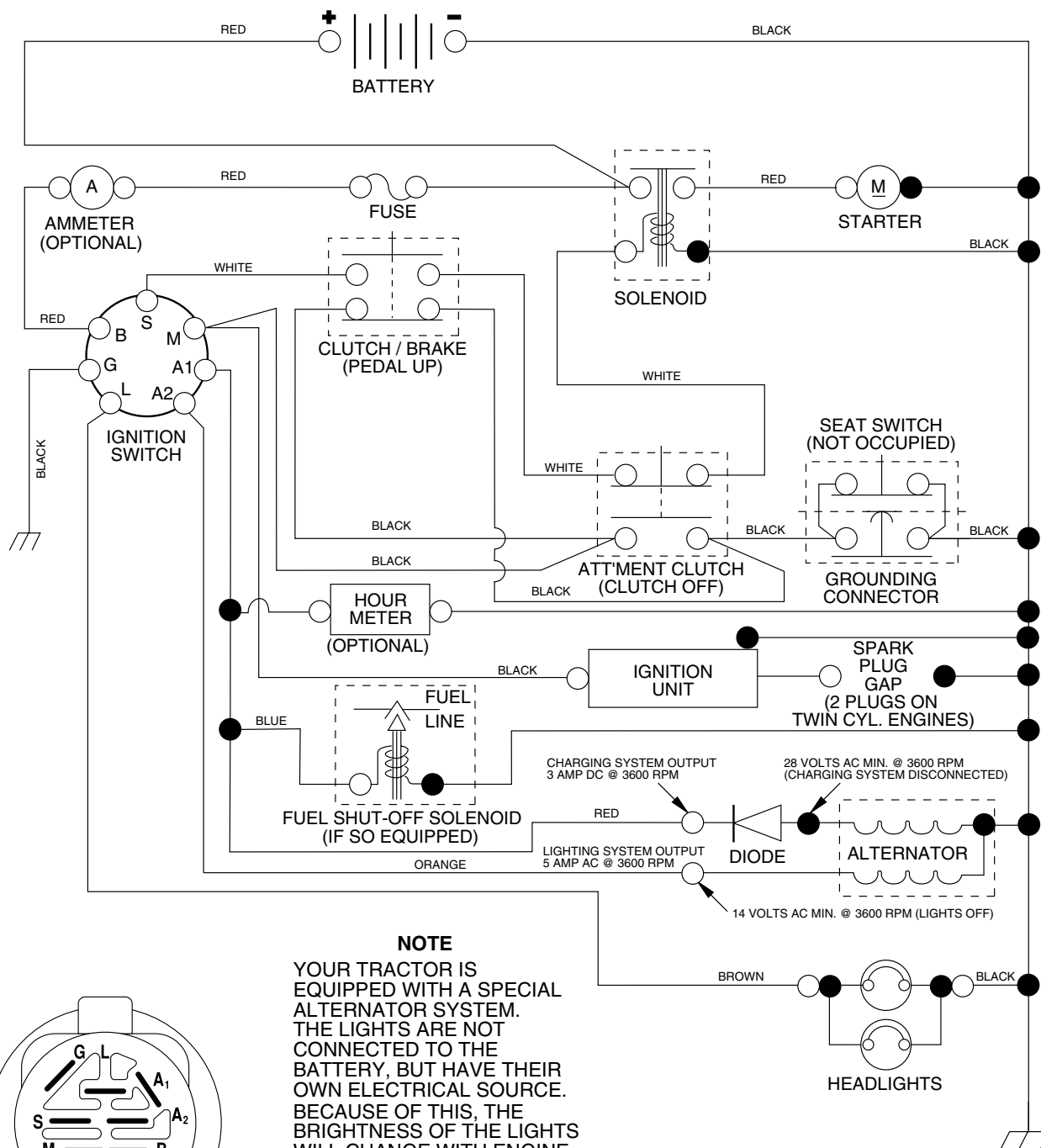
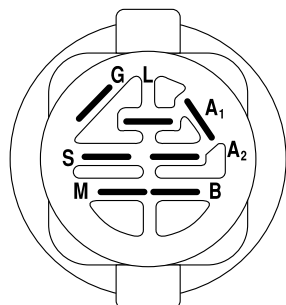


**TRACTOR - - MODEL NUMBER PR17542STB, PRODUCT NUMBER 954 56 78-26
SCHEMATIC**



NOTE

YOUR TRACTOR IS EQUIPPED WITH A SPECIAL ALTERNATOR SYSTEM. THE LIGHTS ARE NOT CONNECTED TO THE BATTERY, BUT HAVE THEIR OWN ELECTRICAL SOURCE. BECAUSE OF THIS, THE BRIGHTNESS OF THE LIGHTS WILL CHANGE WITH ENGINE SPEED. AT IDLE THE LIGHTS WILL DIM. AS THE ENGINE IS SPEEDED UP, THE LIGHTS WILL BECOME THEIR BRIGHTEST.



IGNITION SWITCH

POSITION	CIRCUIT	"MAKE"
OFF	M+G+A1	NONE
RUN/LIGHT	B+A1	A2+L
RUN	B+A1	NONE
START	B + S + A1	NONE

WIRING INSULATED CLIPS

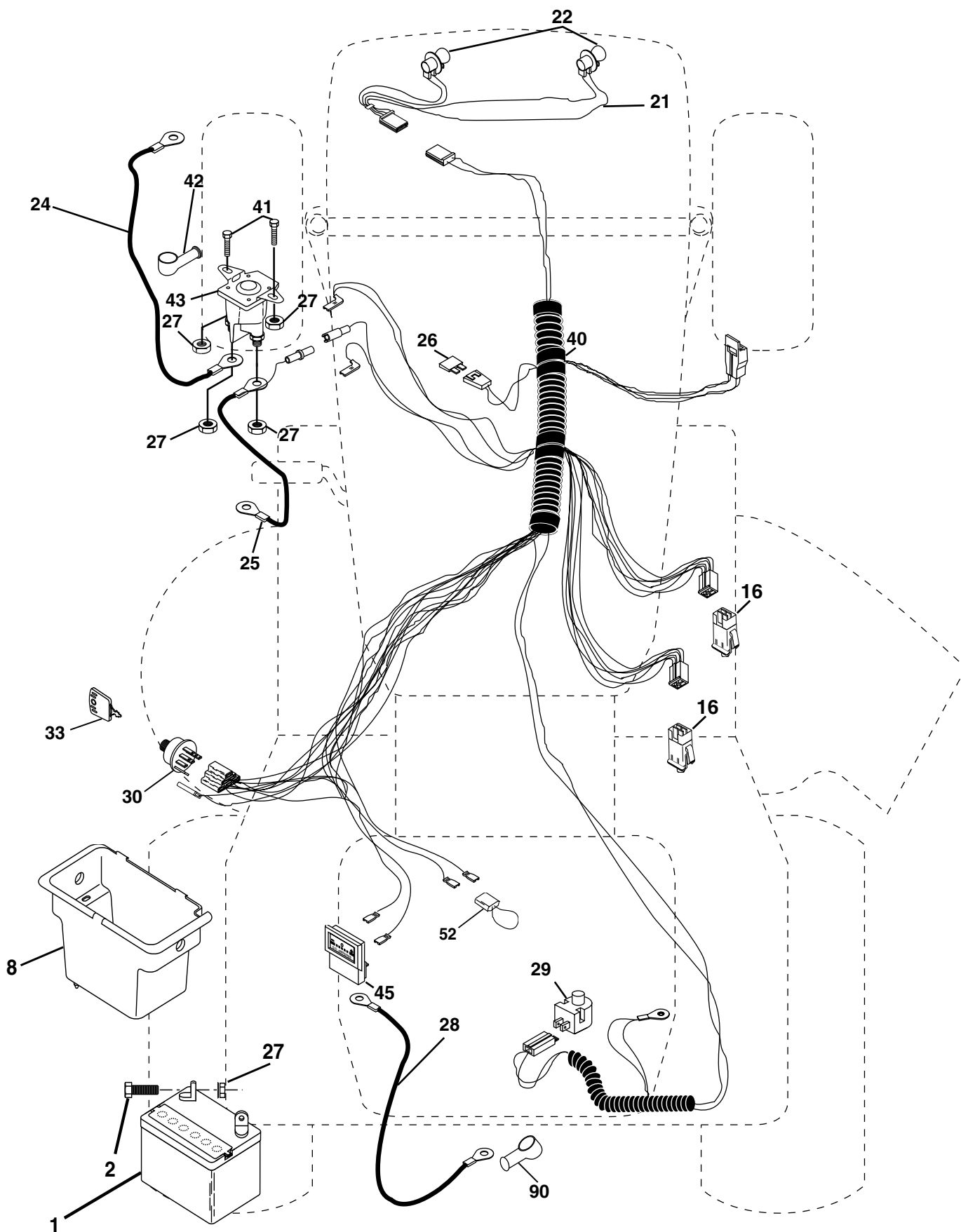
NOTE: IF WIRING INSULATED CLIPS WERE REMOVED FOR SERVICING OF UNIT, THEY SHOULD BE REPLACED TO PROPERLY SECURE YOUR WIRING.

NON-REMOVABLE CONNECTIONS

REMOVABLE CONNECTIONS

REPAIR PARTS

TRACTOR - - MODEL NUMBER PR17542STB, PRODUCT NUMBER 954 56 78-26
ELECTRICAL



REPAIR PARTS

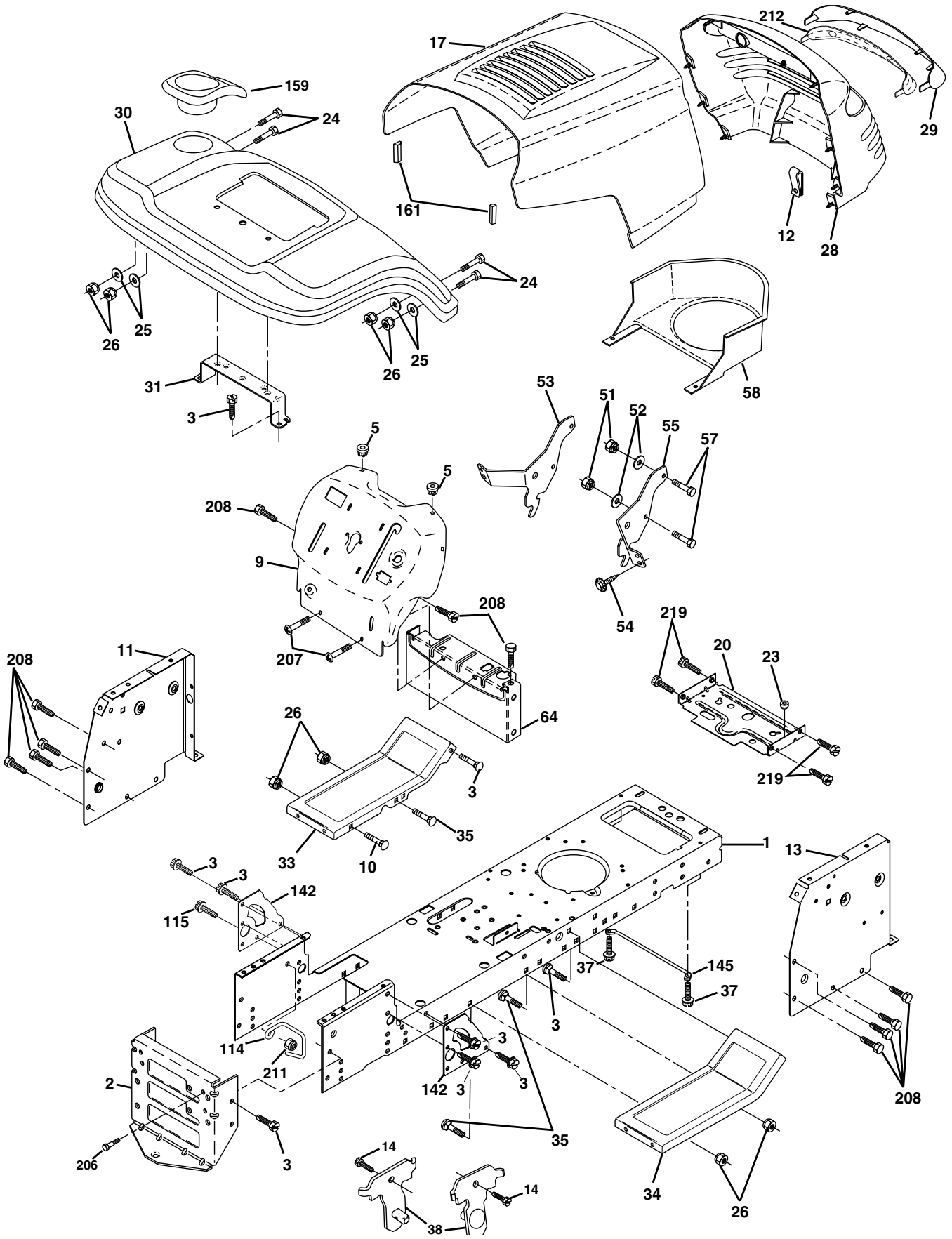
TRACTOR - - MODEL NUMBER PR17542STB, PRODUCT NUMBER 954 56 78-26
ELECTRICAL

KEY NO.	PART NO.	DESCRIPTION
1	144927	Battery 12 Volt 35 Amp
2	74760412	Bolt Hex Hd 1/4-20unc X 3/4
8	176689	Battery Box
16	176138	Switch Interlock Push-In
21	175685	Harness Socket Light
22	4152J	Bulb, Light # 1156
24	4799J	Cable Battery
25	146147	Cable Battery 6 Ga Red w/16 wire
26	175158	Fuse
27	73510400	Nut Keps Hex 1/4-20 Unc
28	4207J	Cable Ground 6ga 12 black
29	121305X	Switch Plunger Nc Gray
30	175566	Switch Ign
33	140401	Key Ign Molded Generic
40	179720	Harness Ign
41	71110408	Bolt Fin Hex 1/4-20uncx 1/2
42	131563	Cover Terminal Red
43	178861	Solenoid
45	121433X	Ammeter Rectangular
52	141940	Protection Loop
90	180449	Cover Terminal

NOTE: All component dimensions given in U.S. inches
1 inch = 25.4 mm

REPAIR PARTS

TRACTOR - - MODEL NUMBER PR17542STB, PRODUCT NUMBER 954 56 78-26
CHASSIS AND ENCLOSURES



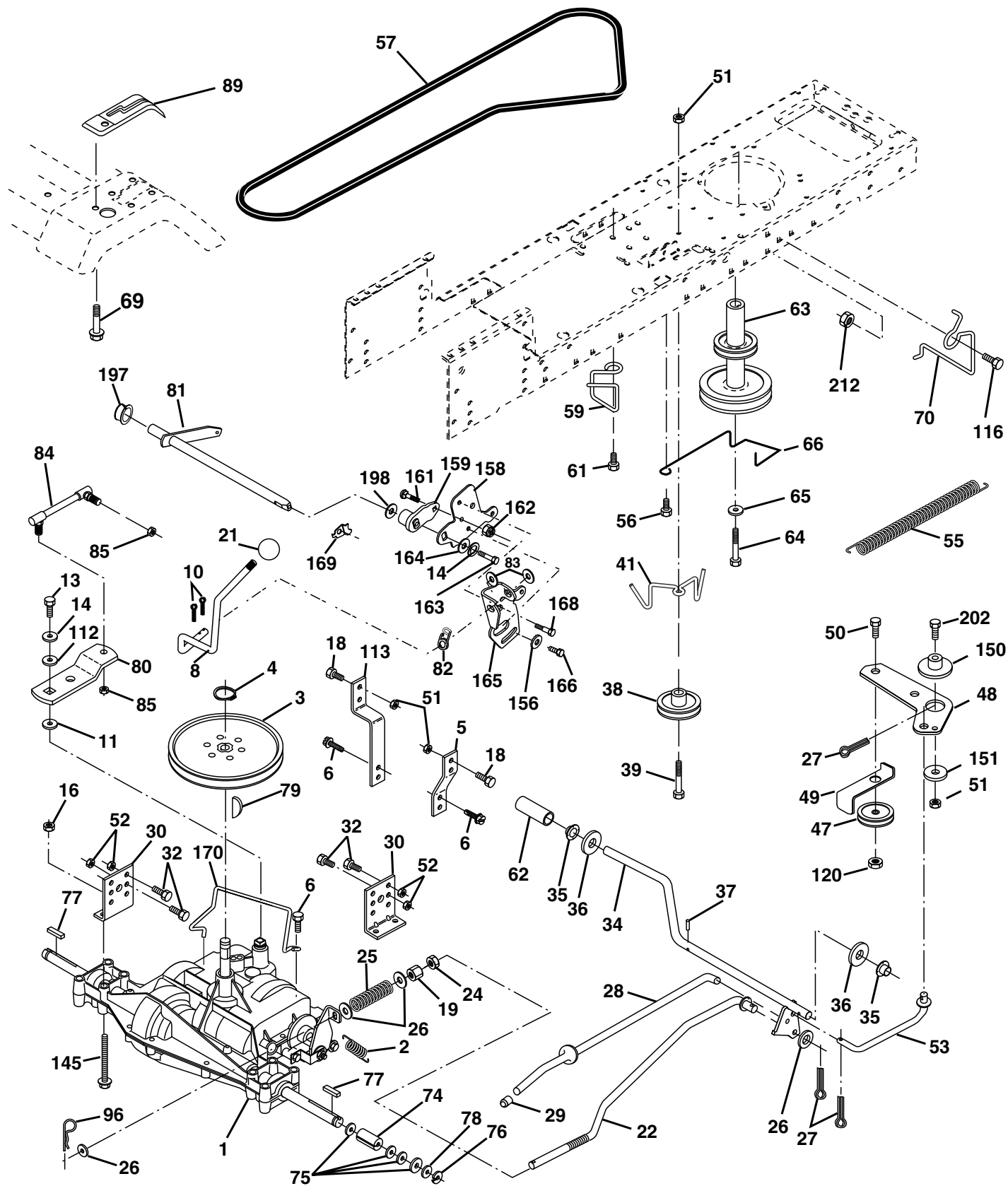
REPAIR PARTS**TRACTOR - - MODEL NUMBER PR17542STB, PRODUCT NUMBER 954 56 78-26
CHASSIS AND ENCLOSURES**

KEY NO.	PART NO.	DESCRIPTION
1	174619	Chassis
2	176554	Drawbar
3	17060612	Screw 3/8-16x.75
5	155272	Bumper Hood/Dash
9	168337X012	Dash P/L
10	72140608	Bolt Carriage 3/8-16 x 1
11	174996	Panel Dash Lh
12	145660	Clip Tinnerman
13	172106	Panel Dash Rh
14	17490608	Screw Thdrol 3/8-16 x 1-1/4
17	159639X428	Hood LT/PL
20	180679	Plate Mtg Battery Fuel Tank Fr
23	124028X	Bushing
24	74780616	Bolt Fin Hex 3/8-16 x 1 Gr 5
25	19131312	Washer 13/32 X 13/16 X 12 Ga
26	73800600	Nut Lock Hex W/Ins 3/8-16 Unc
28	179844	Grille LT/PL
29	170472X599	Lens LT/PL
30	169470X428	Fender Footrest STLT Pnt
31	136619	Bracket Support Fender
33	179716X428	Footrest Pnt Lh
34	179717X428	Footrest Pnt Rh
35	72110606	Bolt Rdhd Sht Sqnk 3/8-16 x 3/4
37	17490508	Screw Thdrol 6/16-18 x 1/2 TYT
38	175710	Bracket Asm. Pivot Mower Rear
51	73800400	Nut Lock Hex W/Ins 1/4-20
52	19091416	Washer 9/32 x 7/8 x 16 Ga.
53	144697	Bracjet Grukke Lh
54	161464	Screw Hex Wshd 8-18 x 7/8
55	144696	Bracket Grille Rh
57	74780412	Bolt Hex 1/4-20 x 3/4
58	174930	Duct Air
64	154798	Dash Lower STLT
114	158112	Keeper Belt Rear Lh
115	17060620	Screw 3/8-16 x 1-1/4
142	175702	Plate Reinforcement STLT
145	156524	Rod Pivot Chassis/Hood
159	169473X428	Cupholder
161	164655	Bumper Hood
206	170165	Bolt Shoulder 5/16-18
207	17670508	Screw Thdrol 5/16-18 x 1/2
208	17670608	Screw Thdrol 3/8-16 x 1/2
211	145212	Nut Hex Flange Lock
212	156229	Insert Lens Reflect P/L LT
219	17000512	Screw 5/16-18 x 3/4

NOTE: All component dimensions given in U.S. inches
1 inch = 25.4 mm

REPAIR PARTS

TRACTOR - - MODEL NUMBER PR17542STB, PRODUCT NUMBER 954 56 78-26
DRIVE



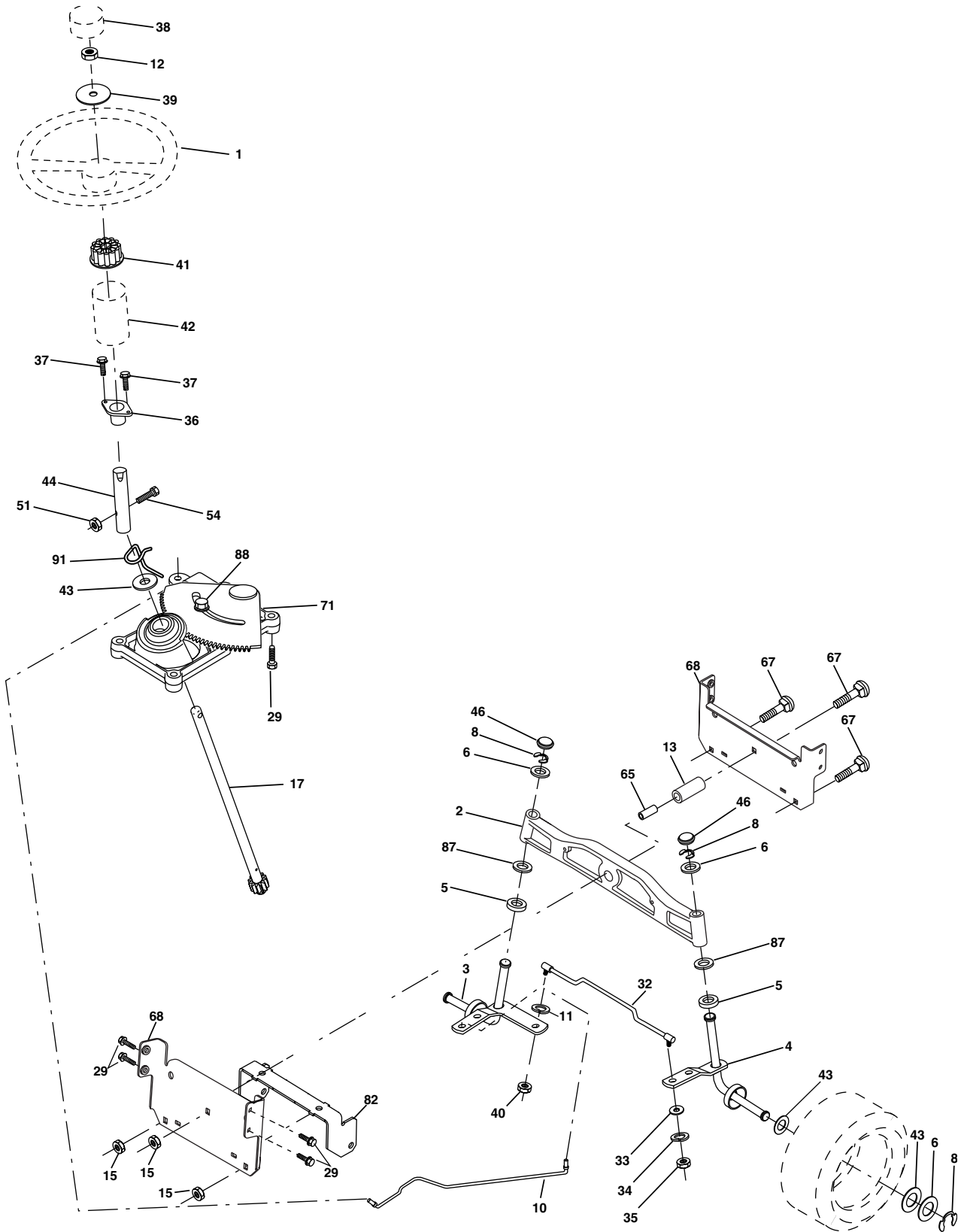
REPAIR PARTS**TRACTOR - - MODEL NUMBER PR17542STB, PRODUCT NUMBER 954 56 78-26
DRIVE**

KEY NO.	PART NO.	DESCRIPTION	KEY NO.	PART NO.	DESCRIPTION
1	-----	Transaxle Peerless (206-545C) (Order parts from transaxle manufacturer)	62	8883R	Cover Pedal Blk Round
2	146682	Spring Return Brake T/a Zinc	63	175410	Engine Pulley
3	123666X	Pulley Transaxle 18" tires	64	71170764	Bolt Hex
4	12000028	Ring Retainer # 5100-62	65	10040700	Washer Lock Hvy Hlcl Spr 7/16
5	121520X	Strap Torque 30 Degrees	66	154778	Keeper Belt Engine Foolproof
6	17060512	Screw 5/16-18 X 3/4	69	142432	Screw Hex wsh HiLo 1/4 x 1/2 unc
8	165619	Rod Shift Fender Adjust Lt	70	134683	Guide Belt Mower Drive RH
10	76020416	Pin Cotter 1/8 X 1 Cad	74	137057	Spacer Axle
11	105701X	Washer Plate Shf 388 Sq Hole	75	121749X	Washer 25/32 X 1 1/4 X 16 Ga
13	74550412	Bolt 1/4-28 Unf Gr 8 W/Patch	76	12000001	E-ring #5133-75
14	10040400	Washer Lock Hvy Helical	77	123583X	Key Square 2 0 X 1845/ 1865
16	73800500	Nut Lock Hex w/ins 5/16-18	78	121748X	Washer 25/32 X 1-5/8 X 16 Ga
18	74780616	Bolt, Fin Hex 3/8-16 UNC x 1 Gr. 5	79	2228M	Key Woodruff #9 3/16 x 3/4
19	73800600	Nut Lock 3/8-16 Unc	80	145090	Arm Shift
21	140845	Knob	81	165592	Shaft Asm Cross Tapered PMST/20
22	130804	Rod Brake Blk Zinc 26 840	82	123782X	Spring Torsion T/a
24	73350600	Nut Hex Jam 3/8-16 Unc	83	19171216	Washer 17/32 X 3/4 X 16 Ga
25	106888X	Spring Rod Brake 2 00 Zinc	84	166231	Link Transaxle PMST/20" Zinc
26	19131316	Washer 13/32 X 13/16 X 16 Ga	85	150360	Nut Lock Center 1/4 - 28 FNTHD
27	76020412	Pin Cotter 1/8 X 3/4 Cad	89	169372X428	Console Shift STLT
28	175765	Rod Brake Parking LT/YT	96	4497H	Retainer Spring 1"
29	71673	Cap Brake Parking	112	19091210	Washer 9/32 x 3/4 x 10 Ga.
30	169592	Bracket Mtg Transaxle	113	127285X	Strap Torque LT
32	74760512	Bolt Hex Hd 5/16-18unc X 3/4	116	72140608	Bolt Rdhd Sq Neck 3/8-16 x 1
34	175578	Shaft Asm Pedal Foot	120	73900600	Nut Lock Flg. 3/8-16 Unc
35	120183X	Bearing Nylon Blk 629 Id	145	74490540	Bolt Hex FLGHD 5/16-18 Gr. 5
36	19211616	Washer 21/32 X 1 X 16 Ga	150	175456	Spacer Retainer
37	1572H	Pin Roll 3/16 X 1"	151	19133210	Washer 13/32 x 2 x 10
38	179114	Pulley Composite Flat	156	166002	Washer Srrted 5/16ID x 1.125
39	74760648	Bolt Fin Hex 3/8-16 unc X 3	158	165589	Bracket Shift Mount
41	175556	Keeper Belt Flat Idler	159	165494	Hub Tapered Flange Shift Lt
47	127783	Pulley Idler V Groove Plastic	161	72140406	Bolt Rdhd Sqnk 1/4-20 x 3/4 Gr
48	154407	Bellcrank Asm	162	73680400	Nut Crownlock 1/4-20 Unc
49	123205X	Retainer Belt Style Spring	163	74780416	Bolt Hex Fin 1/4-20 Unc x 1 Gr 5
50	72110612	Bolt Carr. SH 3/8-16 Unc x 1-1/2 Gr. 5	164	19091010	Washer 5/8 x .281 x 10 Ga
51	73680600	Nut Crownlock 3/8-16 Unc	165	165623	Bracket Pivot Lever
52	73680500	Nut Crownlock 5/16-18 Unc	166	166880	Screw 5/16-18 x 5/8
53	105710X	Link Clutch	168	165492	Bolt Shoulder 5/16-18 x .561
55	105709X	Spring Return Clutch 6 75	169	165580	Plate Fastening
56	17120614	Screw 3/8-16 x .875	170	178394	Keeper Belt Transaxle Gear
57	130801	V-Belt Ground Drive 95 25	197	169613	Nyliner Snap-In
59	169691	Keeper Belt Span Ctr	198	169593	Washer Nyliner
61	17120614	Screw 3/8-16 x .875	202	72110614	Bolt 3/8-16 x 1-3/4 Gr. 5
			212	145212	Nut Hexflange Lock

NOTE: All component dimensions given in U.S. inches
1 inch = 25.4 mm

REPAIR PARTS

TRACTOR - - MODEL NUMBER PR17542STB, PRODUCT NUMBER 954 56 78-26
STEERING ASSEMBLY



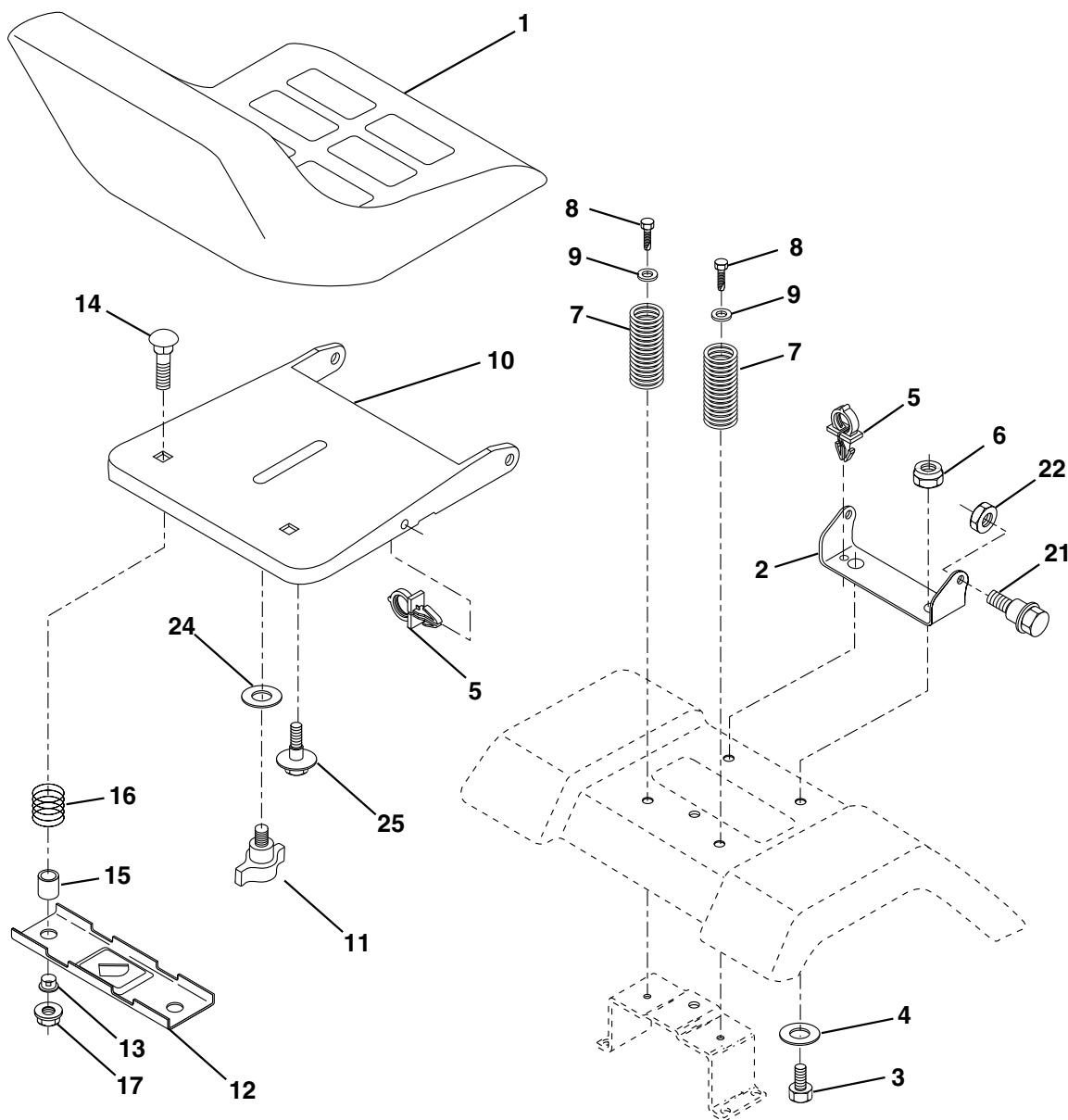
REPAIR PARTS**TRACTOR - - MODEL NUMBER PR17542STB, PRODUCT NUMBER 954 56 78-26
STEERING ASSEMBLY**

KEY NO.	PART NO.	DESCRIPTION
1	180656	Wheel Steering
2	172393	Axle Asm Cast Iron LT
3	169840	Spindle Asm LH
4	169839	Spindle Asm RH
5	6266H	Bearing Race Thrust Harden
6	121748X	Washer 25/32 X 1-5/8 X 16 Ga
8	12000029	Ring Klip #t5304-75
10	175121	Link Drag
11	10040600	Washer Lock Hvy Hlcl Spr 3/8
12	73940800	Nut Hex Jam Toplock 1/2-20 UNF
13	136518	Spacer Brg. Axle Front
15	145212	Nut Hex Flange Lock
17	180641	Shaft Asm. Steering
29	17060612	Screw 3/8-16x.75
32	171888	Rod Tie
33	19111216	Washer 11/32 x 3/4 x 16 Ga.
34	10040500	Washer Lock Hvy Hlcl Spr 5/16
35	73540500	Crownlock Nut 5/16-24
36	155099	Bushing Strg
37	152927	Screw
38	180657	Insert Cap Strg Wh Au
39	19182411	Washer 9/16 ID x 1 1/2 OD 11 Gr.
40	7810H	Lock nut
41	159945	Adaptor Wheel Strg
42	145054X428	Boot Steering Dash/
43	121749X	Washer 25/32 X 1 1/ OD 11 Gr.4 X 16 Ga
44	180640	Extension Steering Shaft
46	121232X	Cap Spindle Fr Top Blk
51	73540400	Nut Crownlock 1/4-28
54	71130420	Bolt Hex 1/4-28 UNF x 1-1/4 Gr. 8
65	160367	Brace Axle
67	72140618	Bolt Rdhd Sq 3/8-16 Unc x 2-1/4
68	169827	Axle, Brace
71	175146	Steering Asm.
82	169835	Bracket Susp. Chassis Front
87	173966	Washer Flat .781 x 1-1/2 x .14
88	175118	Bolt Shoulder 7/16-20 Unc
91	175553	Clip Steering

NOTE: All component dimensions given in U.S. inches
1 inch = 25.4 mm

REPAIR PARTS

TRACTOR - - MODEL NUMBER PR17542STB, PRODUCT NUMBER 954 56 78-26
SEAT ASSEMBLY



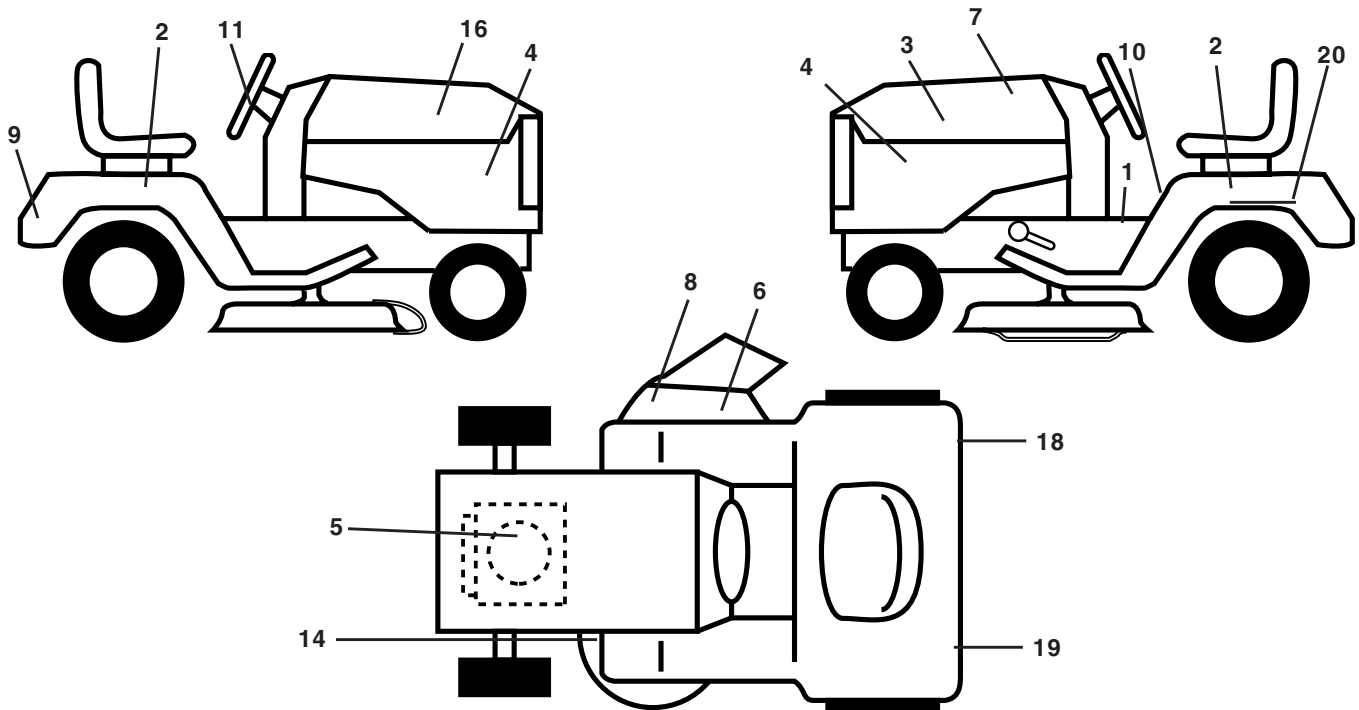
KEY NO.	PART NO.	DESCRIPTION
1	171683	Seat
2	140551	Bracket Pivot Seat 8 720
3	71110616	Bolt Fin Hex 3/8-16 Unc X 1
4	19131610	Washer 13/32 X 1 X 10 Ga
5	145006	Clip Push-In
6	73800600	Nut Hex w/Ins. 3/8-16 Unc
7	124181X	Spring Seat Cprsn 2 250 Blk Zi
8	17000616	Screw 3/8-16 X 1.5
9	19131614	Washer 13/32 X 1 X 14 Ga.
10	182493	Pan Seat
11	166369	Knob Seat

KEY NO.	PART NO.	DESCRIPTION
12	121246X	Bracket Mounting Switch
13	121248X	Bushing Snap Blk Nyl 50 Id
14	72050412	Bolt Rdhd Sqnk 1/4-20x1-1/2
15	134300	Spacer Split 28x 88
16	121250X	Spring Cprsn
17	123976X	Nut Lock 1/4 Lge Flg Gr 5 Zinc
21	171852	Bolt Shoulder 5/16-18 Unc
22	73800500	Nut Hex Lock W/Ins 5/16-18
24	19171912	Washer 17/32 X 1-3/16 X 12 Ga.
25	127018X	Bolt Shoulder 5/16-18 X 62

NOTE: All component dimensions given in U.S. inches
1 inch = 25.4 mm

REPAIR PARTS

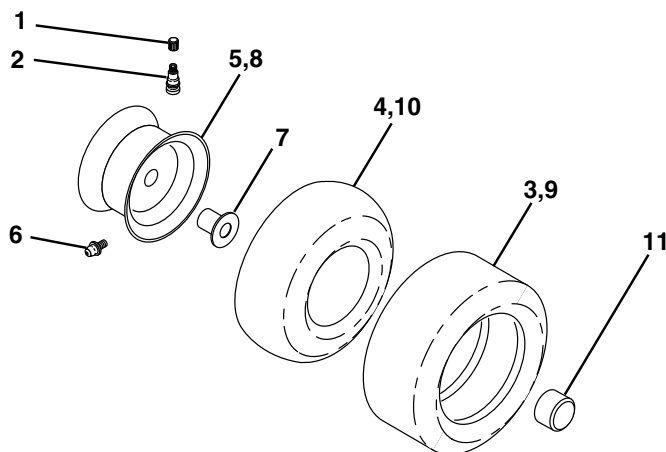
TRACTOR - - MODEL NUMBER PR17542STB, PRODUCT NUMBER 954 56 78-26
DECALS



KEY NO.	PART NO.	DESCRIPTION
1	156369	Decal Oper
2	176305	Decal Fender Side
3	176308	Decal Hood LH
4	178206	Decal Side Panel Logo
5	180973	Decal HP Engine
6	179128	Decal Deck "B" 42"
7	180891	Decal Repl. Parts
8	170563	Decal Warning Mult-Language
9	172740	Decal Fender Logo
10	157140	Decal Fender Danger E/F

KEY NO.	PART NO.	DESCRIPTION
11	172743	Decal Ins Strg Whl
14	160396	Decal V-Belt Schematic
16	176307	Decal Hood Rh
18	173587	Decal Fender Reflector RH
19	173589	Decal Fender Reflector LH
20	145005	Decal Bat Dan/Psn
--	179768X428	Pad Footrest LH
--	179769X428	Pad Footrest RH
--	138311	Decal Handle Lft Height Adjust
--	183044	Manual Owner's (English)
--	183045	Manual Owner's (French)

WHEELS AND TIRES

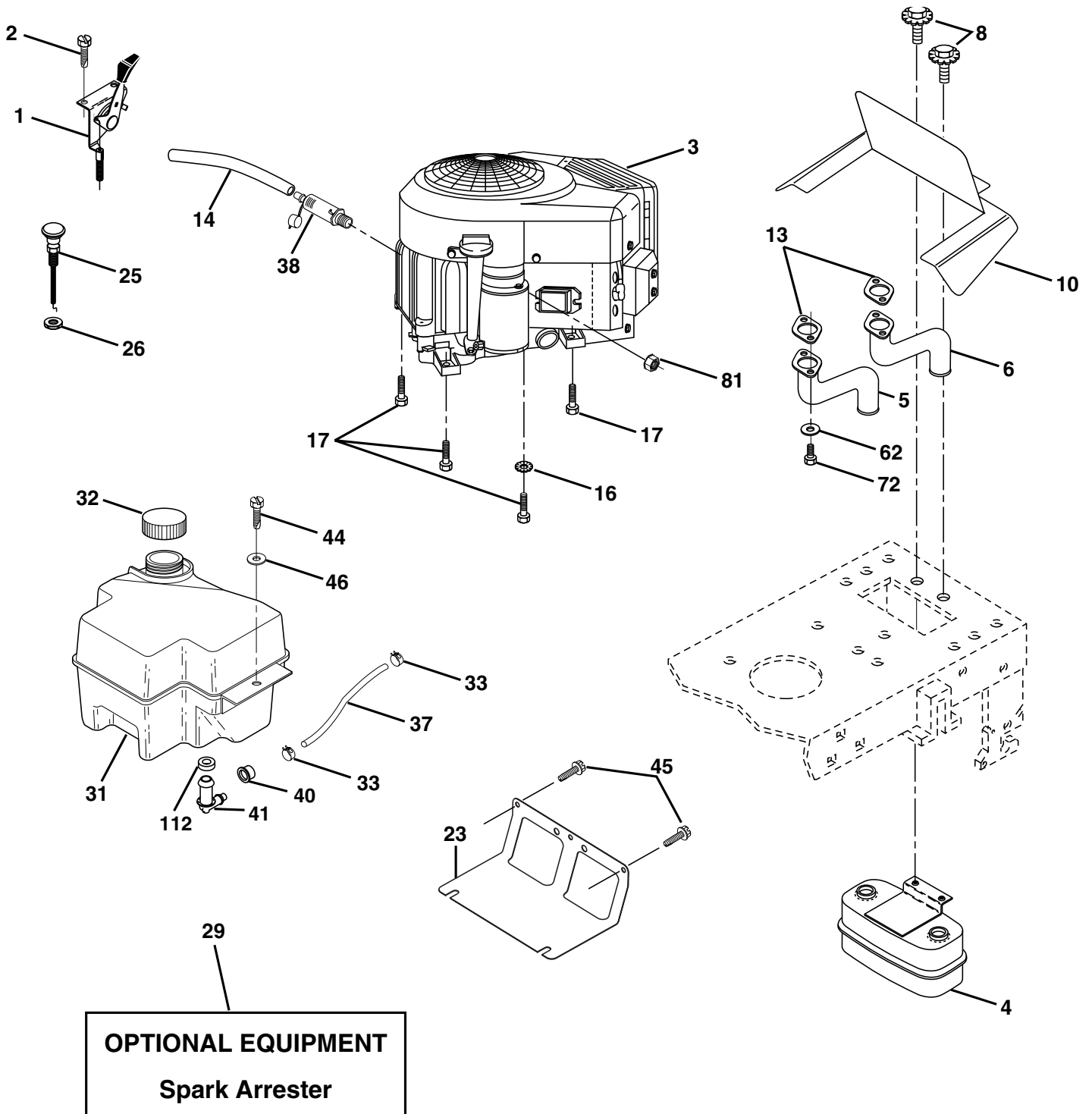


KEY NO.	PART NO.	DESCRIPTION
1	59192	Cap Valve Tire
2	65139	Stem Valve
3	170455	Tire F Ts 15 X 6 0 - 6 Service
4	59904	Tube Front (Service Item Only)
5	106732X421	Rim Asm 6"front Service
6	278H	Fitting Grease (Front Wheel Only)
7	9040H	Bearing Flange (Front Wheel Only)
8	106108X421	Rim Asm 8"rear Service
9	170456	Tire R Ts 20x10-8 C Service
10	7152J	Tube Rear (Service Item Only)
11	104757X421	Cap Axle 1 50 X 1 00
--	144334	Sealant, Tire (10 oz. Tube)

NOTE: All component dimensions given in U.S. inches
1 inch = 25.4 mm

REPAIR PARTS

TRACTOR - - MODEL NUMBER PR17542STB, PRODUCT NUMBER 954 56 78-26
ENGINE



REPAIR PARTS

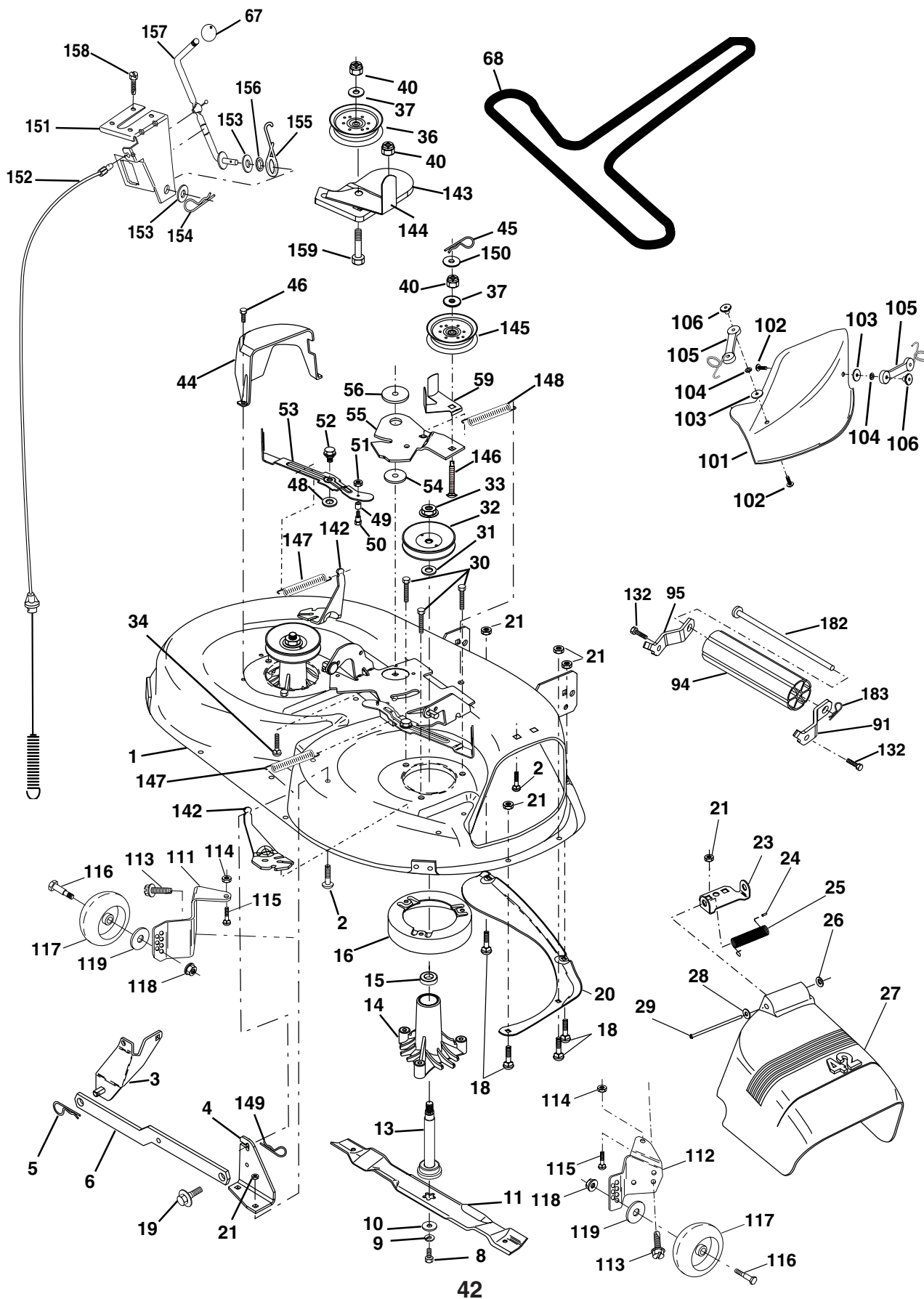
TRACTOR - - MODEL NUMBER PR17542STB, PRODUCT NUMBER 954 56 78-26
ENGINE

KEY NO.	PART NO.	DESCRIPTION
1	170771	Control Th/ch Flag
2	17720408	Screw Hex Thd Cut 1/4-20x1/2
3	-----	Engine, Briggs Model 407777 (Order Parts From Engine Manufacturer)
4	149723	Muffler Exhaust
5	159955	Exhaust Tube LH
6	160589	Exhaust Tube RH
8	171877	Bolt 5/16-18 UNC x 3/4
10	162797	Shield Browning
13	165391	Gasket Muffler
14	148456	Tube Drain Oil Easy
16	11050600	Washer Lock Ext Tooth 3/8
17	17060624	Screw 3/8-16 x 1-1/2
23	169837	Shield Brn/Dbr Guard
25	145996	Control Choke
26	73920600	Nut Keps 3/8-24 Unf
29	137180	Arrestor Spark
31	180645	Tank Fuel Front 2 00
32	140527	Cap Fuel
33	123487X	Clamp Hose Black
37	137040	Line Fuel 20"
38	181654	Plug Oil Drain Easy
40	124028X	Bushing Snap
41	139277	Stem Tank Fuel
44	17670412	Screw Hex wsh Thdrol 1/4-20x3/4
45	17000612	Screw Hex Wsh Thdrol 3/8-16 x 3/4
46	19091416	Washer 9/32 X 7/8 X 16 Ga
62	10040500	Washer Lock 5/16
72	71070512	Screw Hex 5/16-18 x 3/4
81	73510400	Nut Keps Hex 1/4-20 Unc
112	3645J	Bushing

NOTE: All component dimensions given in U. S.
inches 1 inch = 25.4 mm

REPAIR PARTS

TRACTOR - - MODEL NUMBER PR17542STB, PRODUCT NUMBER 954 56 78-26
MOWER DECK



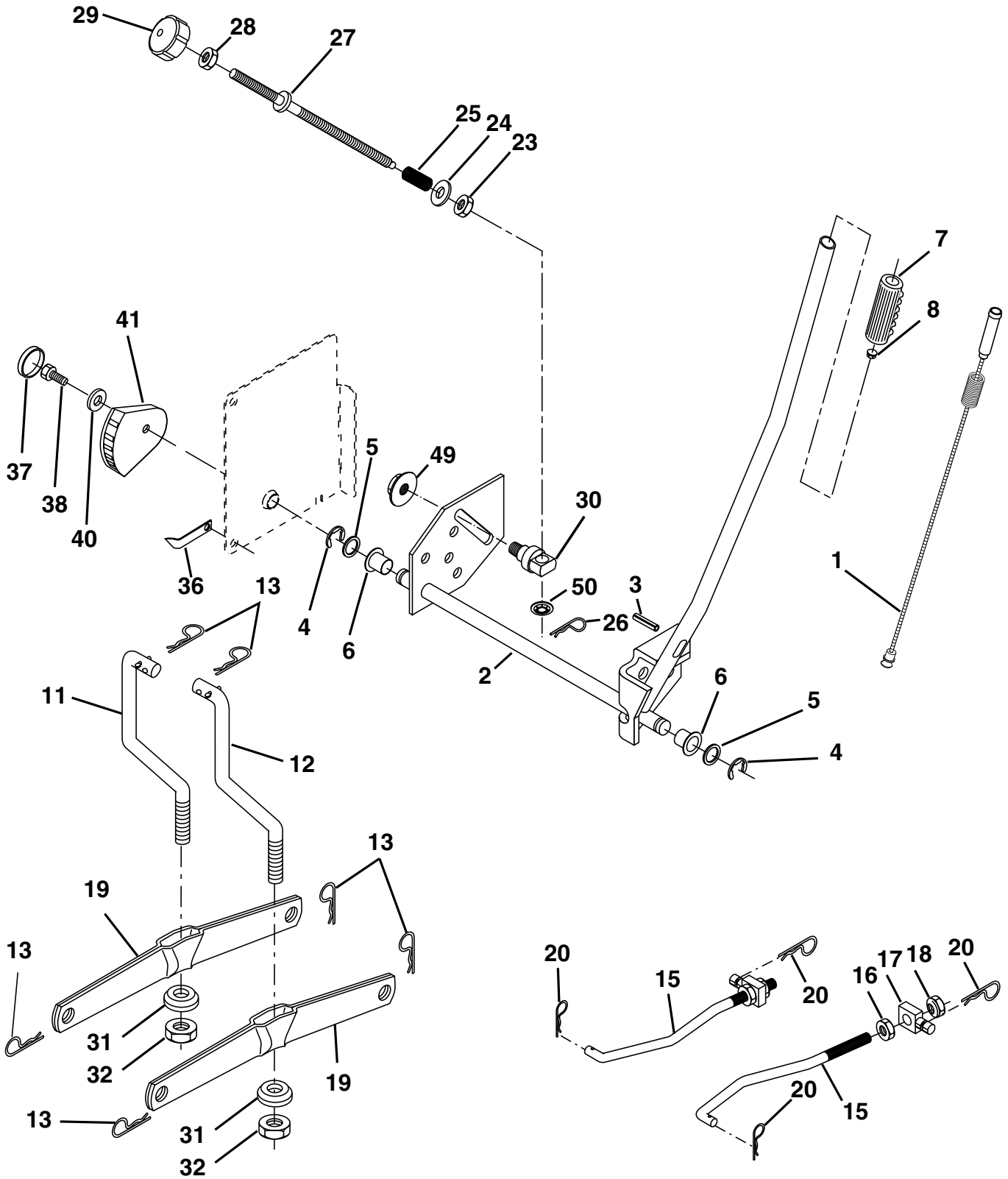
REPAIR PARTS**TRACTOR - - MODEL NUMBER PR17542STB, PRODUCT NUMBER 954 56 78-26
MOWER DECK**

KEY NO.	PART NO.	DESCRIPTION	KEY NO.	PART NO.	DESCRIPTION
1	165892X421	Mower Deck Assembly, 42"	68	144959	V-Belt, 42" Mower
2	72140506	Bolt	91	180532	Bracket Asm. Noseroller LH
3	138017	Bracket Asm Fr. Sway Bar 3/42	94	132264	Roller, Nose
4	165460	Bracket Asm Deck 42" Sway Bar	95	180533	Bracket Asm. Noseroller RH
5	4939M	Retainer Spring	101	136420	Mulcher Cover
6	178024	Bar Sway Deck	102	71081010	Screw
8	850857	Bolt 3/8-24 x 25 Grade 8 patched	103	19061216	Washer, Flat
9	10030600	Washer, Lock	104	10071000	Washer, Lock
10	140296	Washer, Hardened	105	160793	Latch Assembly
11	134149	Blade, Mulching 42"	106	2029J	Nut, Weld
	138498	Blade Mower 42" Hi-Lift	111	179292X421	Bracket, Gauge, Wheel LH
13	137645	Shaft Assembly, Mandrel, Vented	112	179293X421	Bracket, Gauge, Wheel RH
14	128774	Housing, Mandrel, Vented	113	17060510	Screw 3/8-16 x .625
15	110485X	Bearing, Ball, Mandrel	114	73510500	Nut, Keps 5/16 - 18 UNC
16	174493	Stripper, Mandrel Deck	115	72110505	Bolt, Carriage 5/16-18 x 5/8
18	72140505	Bolt, Carriage 5/16-18 x 5/8	116	4898H	Bolt, Shoulder
19	132827	Bolt, Shoulder	117	165746	Wheel, Gauge
20	159770	Baffle, Vortex	118	73930600	Nut Centerlock 3/8-16
21	73680500	Nut	119	19121414	Washer 3/8 x 7/8 x 14 Ga.
23	177563	Bracket, Deflector Mower 42"	132	17060612	Screw 3/8-16 x .75
24	105304X	Cap, Sleeve 80 x 112 Blk Mower	142	165890	Arm Spring Brake Mower
25	123713X	Spring, Torsion, Deflector 2 52	143	157109	Bracket Arm Idler 42"
26	110452X	Nut, Push Phos & Oil	144	173441	Keeper Belt 42" Clutch Cable
27	130968X428	Shield, Deflector 42" Blk	145	173437	Pulley Idler Flat
28	19111016	Washer 11/32 x 5/8 x 16 Gauge	146	173443	Bolt Carriage Idler
29	131491	Rod, Hinge 42" 6 75 W/G	147	131335	Spring Extension
30	173984	Screw Thdrol Washer Head	148	169022	Spring Return Idler
31	129963	Washer, Spacer Mower Vented	149	165898	Retainer Spring Yellow
32	173436	Pulley, Mandrel	150	19091216	Washer 9/32 x 3/4 x 16 Ga.
33	178342	Nut, Toplock 9/16 Flange	151	169670	Bracket Clutch Cable
34	72110614	Bolt	152	169676	Clutch Cable 42"
36	173438	Pulley, Idler, Flat	153	169674	Washer Flat 3/8" Type B
37	19131316	Washer 13/32 x 13/16 x 16 Gauge	154	169675	Spring Retainer
40	73680600	Nut	155	169671	Spring Retention LVR CLTCH CAB
44	140088	Guard, Mandrel, LH	156	169672	Spacer Clutch Cable
45	4497H	Retainer	157	169669	Rod Clutch Cable 3/8"
46	137729	Screw, Thdrol 1/4-20 x 5/8 T	158	17720408	Screw Hex Thd Cut 1/4-20 x 1/2
48	133944	Washer, Hardened	159	72140614	Bolt Rdhd Sqn 3/8-16 UNC x 1-3/4
49	174284	Roller Assembly, Cam Follower	182	179126	Rod Roller Nose
50	131340	Bolt, Shoulder #10-24 Grade 5	183	163552	Retainer Spring
51	69180	Locknut	--	130794	Mandrel Assembly (Includes Housing, Shaft and Shaft Hardware Only-Pulley Not Included)
52	139888	Bolt, Shoulder 5/16-18 UNC	--	172559	Replacement Mower, Complete
53	131845	Arm Assembly, Pad, Brake			
54	133943	Washer, Hardened			
55	155046	Arm, Idler			
56	122052X	Spacer, Retainer			
59	173442	Guard TUV Idler			
67	171598	Knob			

NOTE: All component dimensions given in U.S. inches
1 inch = 25.4 mm

REPAIR PARTS

TRACTOR - - MODEL NUMBER PR17542STB, PRODUCT NUMBER 954 56 78-26
MOWER LIFT



REPAIR PARTS**TRACTOR - - MODEL NUMBER PR17542STB, PRODUCT NUMBER 954 56 78-26
MOWER LIFT**

KEY NO.	PART NO.	DESCRIPTION
1	159460	Wire Asm Inner/Sprg W/plunger LT
2	159471	Shaft Asm Lift RH w/Inf
3	105767X	Pin Groove 1 500 Zinc
4	12000002	E Ring #5133-62
5	19211621	Washer 21/32 X 1 X 21 Ga
6	120183X	Bearing Nylon Blk 629 Id
7	125631X	Grip Handle
8	170770	Button Plunger Yellow
11	139865	Link Lift LH Fixed Length
12	139866	Link Lift RH Fixed Length
13	4939M	Retainer Spring
15	173288	Link Front
16	73350800	Nut Jam Hex 1/2-13 Unc
17	175689	Trunnion Blk Zinc
18	73800800	Nut Lock w/Wsh 1/2-13 Unc
19	139868	Arm Suspension Rear
20	163552	Retainer Spring
23	110807X	Nut Special
24	19131016	Washer 13/32 X 5/8 X 16 Ga
25	2876H	Spring 2-1/8"
26	169484	Retainer Clip
27	126971X	Rod Adj Lift Zinc 7.49 Wrk Lg
28	73350600	Nut Hex Jam 3/8-16 Unc
29	138057	Knob Inf 3/8-16 Unc Blk W/sym
30	150233	Trunnion Infin Height
31	169865	Bearing Pvt Lift
32	73540600	Nut Crownlock 3/8 - 24
36	155097	Pointer Height Indicator
37	123935X	Plug Hole Blk 1.485/1.515 Dia.
38	17060516	Screw Thdrol 5/16-18 x 1
40	19112410	Washer 11/32 x 1-1/2 10 Ga.
41	155098	Indicator Height STLT
49	145212	Nut Hex Flange Lock
50	110452X	Nut PUsh Phos & Oil

NOTE: All component dimensions given in U.S. inches
1 inch = 25.4 mm