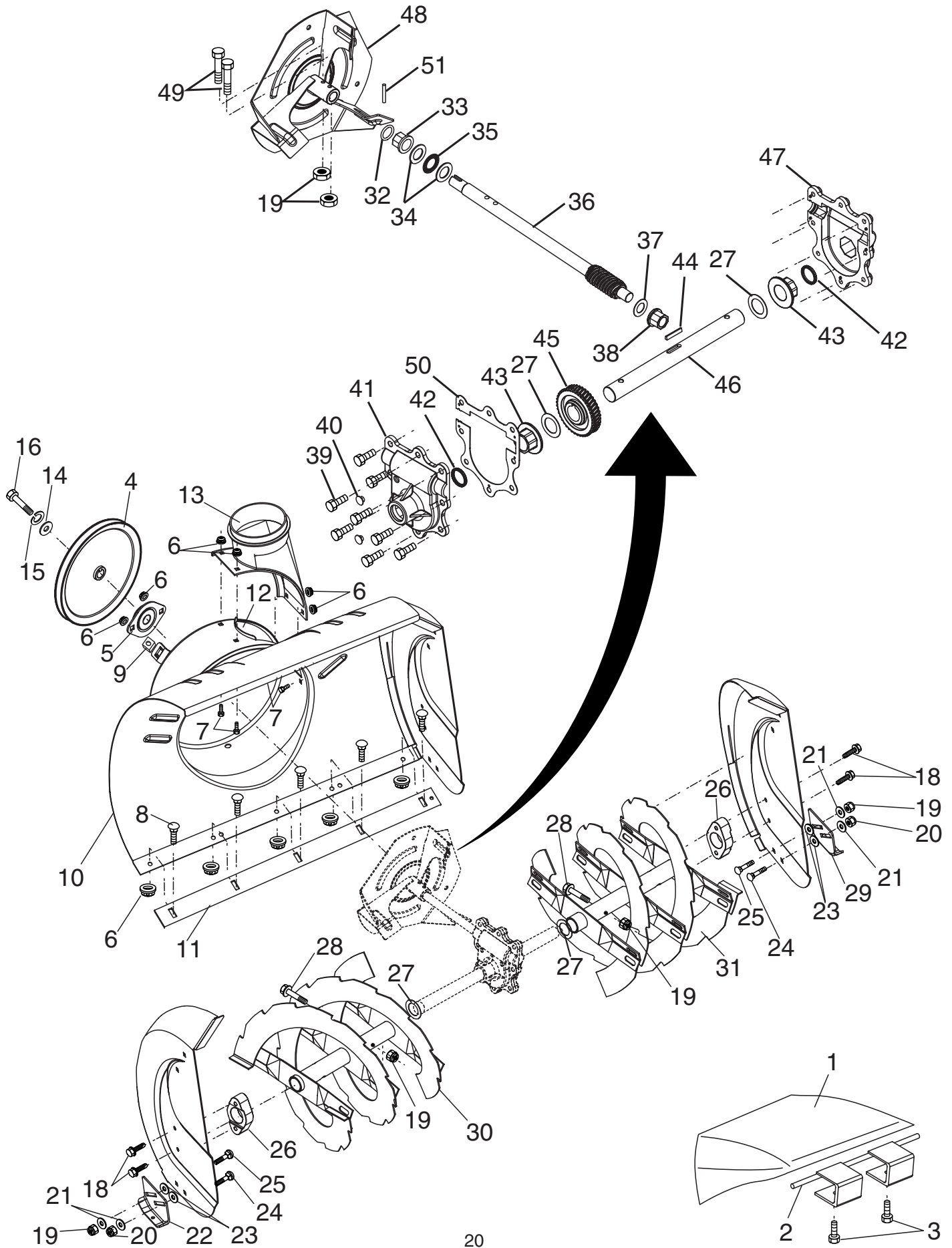


REPAIR PARTS

SNOW THROWER - MODEL NUMBER PP927ESA

AUGER HOUSING / IMPELLER ASSEMBLY



REPAIR PARTS**SNOW THROWER - MODEL NUMBER PP927ESA****AUGER HOUSING / IMPELLER ASSEMBLY**

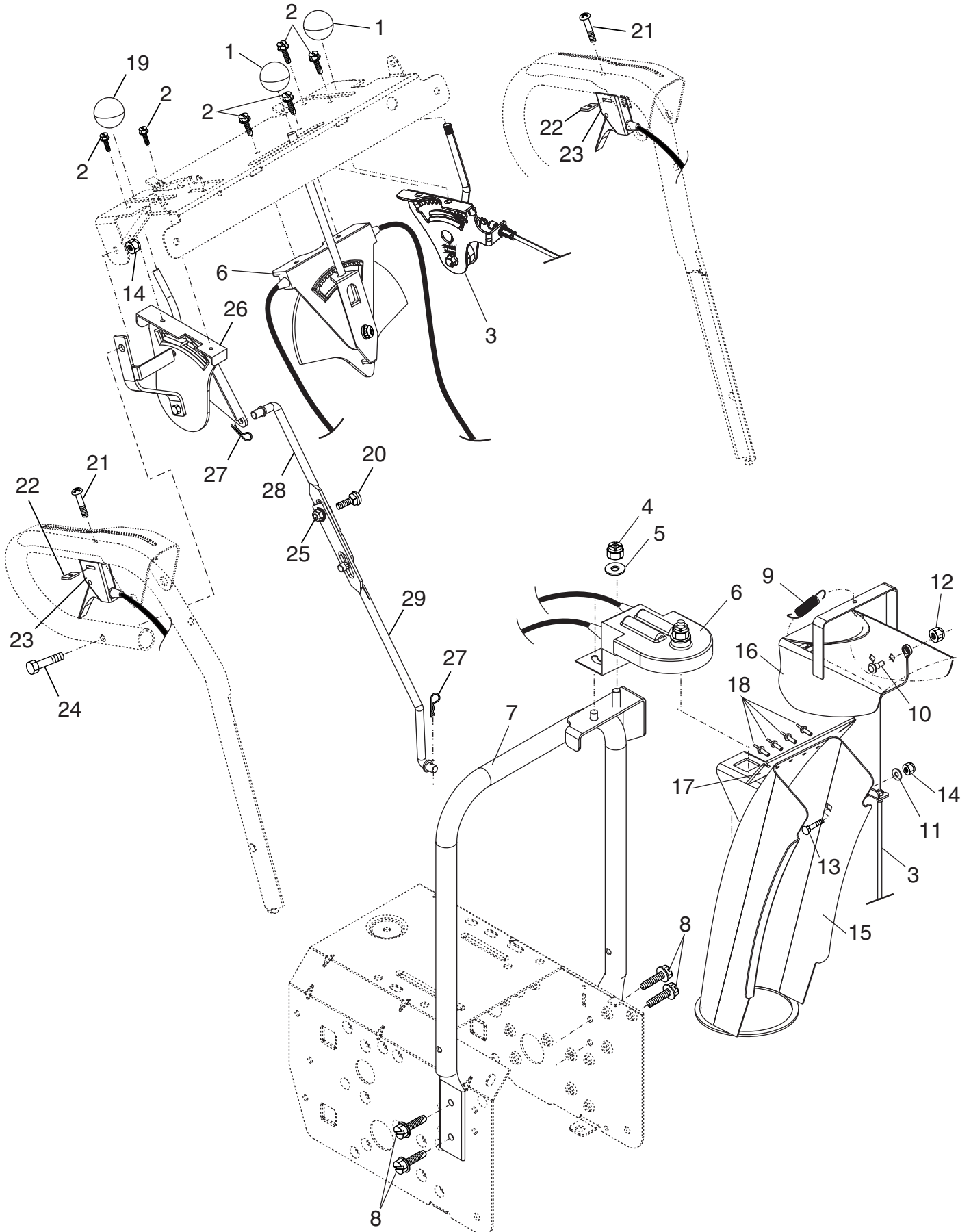
| KEY NO. | PART NO. | DESCRIPTION |
|---------|------------|---|
| 1 | 183578 | Bag, Weight |
| 2 | 183577 | Bracket, Weight Bag |
| 3 | 74520524 | Screw, Hex Head 5/16-18 x 1-1/2 |
| 4 | 181083 | Pulley, Impeller |
| 5 | 175323 | Bearing Assembly, Flange |
| 6 | 155377 | Nut, Hex Flange 5/16-18 |
| 7 | 180355 | Bolt, Flat Head, Carriage 5/16-18 x 5/8 |
| 8 | 72270505 | Bolt, Carriage 5/16-1 8 x 5/8 |
| 9 | 178820 | Nut, Cage 3/8-16 |
| 10 | 178827X428 | Housing, Auger |
| 11 | 178691X479 | Bar, Scraper |
| 12 | 178675X008 | Bracket, Corner Discharge |
| 13 | 175322 | Base, Discharge Chute |
| 14 | 59289 | Washer, Flat |
| 15 | 10040500 | Washer, Lock 5/16 |
| 16 | 74950512 | Screw, Hex Head 5/16-18 x 3/4 |
| 18 | 179582 | Screw, Hex Head 5/16 x 1 |
| 19 | 73800400 | Nut, Hex Lock 1/4-20 |
| 20 | 73800500 | Nut, Hex Lock 5/16-18 |
| 21 | 155415 | Washer, Flat |
| 22 | 178777X479 | Skid Plate, RH |
| 23 | 179246 | Washer, Nylon, Friction |
| 24 | 72270506 | Bolt, Carriage 5/16-18 x 3/4 |
| 25 | 179829 | Bolt, Shoulder |
| 26 | 174658 | Bearing, Auger |
| 27 | 174697 | Washer, Thrust, 1" |
| 28 | 179828 | Bolt, Shoulder 1/4-20 x 2 |
| 29 | 174762X479 | Skid Plate, LH |
| 30 | 178763X479 | Auger Assembly, RH |
| 31 | 178697X479 | Auger Assembly, LH |
| 32 | 174699 | O-Ring |
| 33 | 174700 | Bushing, Flange 3/4 |
| 34 | 174681 | Washer, Thrust 3/4 |
| 35 | 174684 | Bearing, Thrust 3/4 |
| 36 | 174660 | Shaft, Impeller |
| 37 | 174683 | Washer, Thrust 5/8 |
| 38 | 174686 | Bushing, Flange 5/8 |
| 39 | 150078 | Screw, Hex Head 5/16-18 x 3/4 |
| 40 | 86447 | Plug, Case |
| 41 | 174688 | Housing, Gearbox, RH |
| 42 | 174698 | Seal, Oil |
| 43 | 174701 | Bushing, Flange, 1" |
| 44 | 178879 | Key, Square 1/4 x 1/4 x 7/8 |
| 45 | 174659 | Gear, Worm |
| 46 | 174657 | Shaft, Auger |
| 47 | 174687 | Housing, Gearbox, LH |
| 48 | 175321X479 | Impeller Assembly |
| 49 | 74780426 | Screw, Hex Head 1/4-20 x 1-5/8 |
| 50 | 175311 | Gasket, Gearbox |
| 51 | 7836M | Pin, Roll 3/16 x 1-1/8 |

NOTE: All component dimensions given in U.S. inches
1 inch = 25.4 mm

REPAIR PARTS

SNOW THROWER - MODEL NUMBER PP927ESA

CONTROL PANEL / DISCHARGE CHUTE



REPAIR PARTS SNOW THROWER - MODEL NUMBER PP927ESA

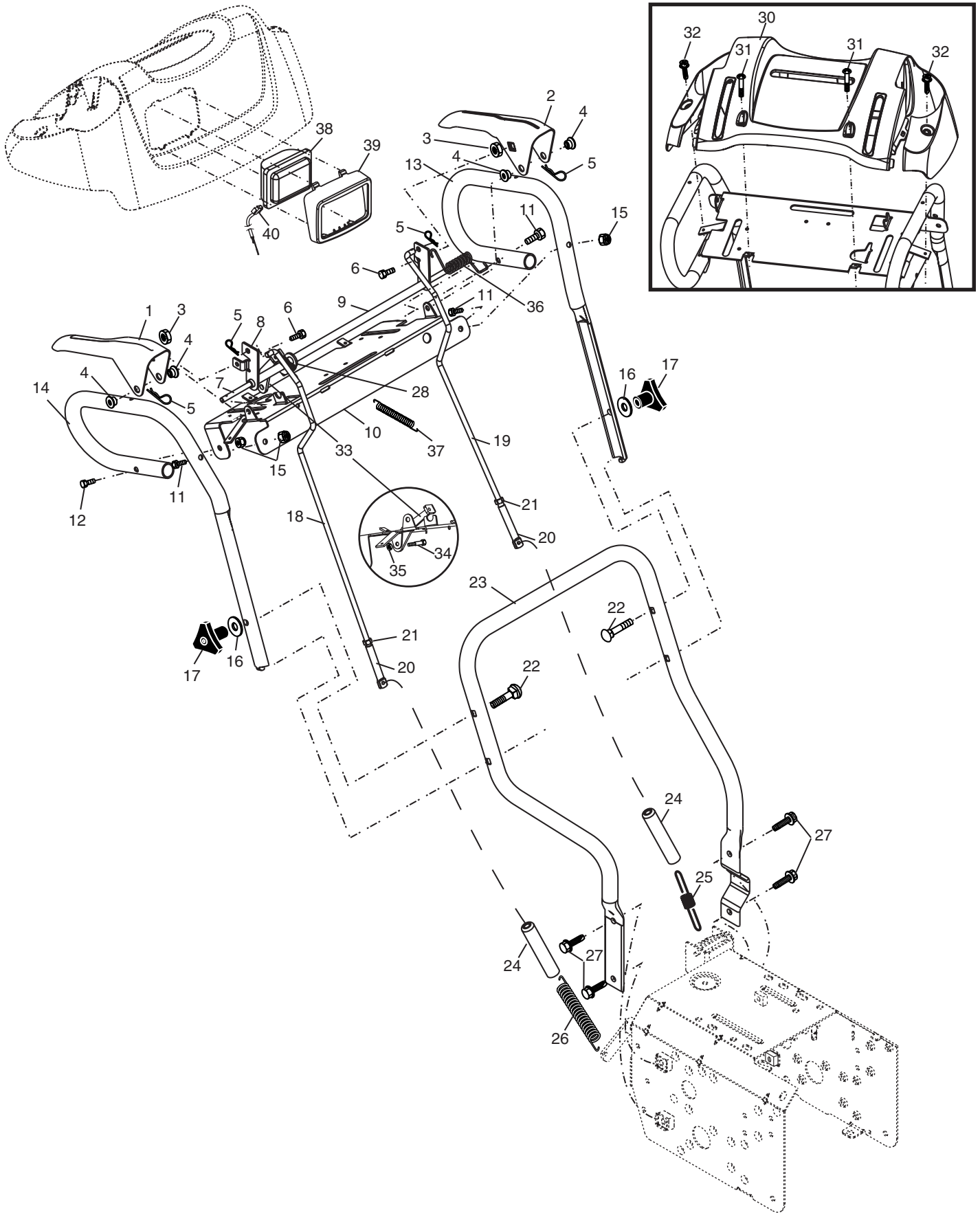
CONTROL PANEL / DISCHARGE CHUTE

| KEY NO. | PART NO. | DESCRIPTION |
|---------|------------|----------------------------------|
| 1 | 183334 | Knob, Lever |
| 2 | 17501010 | Screw #10-24 x 5/8 |
| 3 | 178674 | Control Assembly, Deflector |
| 4 | 73800600 | Nut, Lock 3/8-16 |
| 5 | 19131316 | Washer, Flat 3/8 |
| 6 | 178659 | Control Assembly, Chute Rotater |
| 7 | 178638X479 | Support, Pivot |
| 8 | 150078 | Screw, Hex Head 5/16-18 x 3/4 |
| 9 | 183525 | Spring, Deflector |
| 10 | 179829 | Bolt, Shoulder |
| 11 | 155415 | Washer, Flat |
| 12 | 73800400 | Nut, Lock 1/4-20 |
| 13 | 72250505 | Bolt, Carriage 5/16-18 |
| 14 | 73800500 | Nut, Lock 5/16-18 |
| 15 | 178628X428 | Chute Assembly |
| 16 | 178633X428 | Deflector Assembly |
| 17 | 179145 | Seal, Deflector |
| 18 | 128415 | Rivet, Blind |
| 19 | 183333 | Knob, Speed Control Lever |
| 20 | 72270506 | Bolt, Carriage 5/16-18 x 3/4 |
| 21 | 74041024 | Screw #10-24 x 1-1/2 |
| 22 | 183292 | Nut, Weld #10-24 |
| 23 | 179156 | Control Assembly, Power Steering |
| 24 | 74780528 | Screw, Hex Head 5/16-18 x 1-3/4 |
| 25 | 155377 | Nut, Lock 5/16-18 |
| 26 | 179257 | Lever Assembly, Speed Control |
| 27 | 169675 | Retainer, Hairpin |
| 28 | 180445 | Rod, Upper, Speed Control |
| 29 | 179249 | Rod, Lower, Speed Control |

NOTE: All component dimensions given in U.S. inches
1 inch = 25.4 mm

**REPAIR PARTS
HANDLES**

SNOW THROWER - MODEL NUMBER PP927ESA



**REPAIR PARTS
HANDLES****SNOW THROWER - MODEL NUMBER PP927ESA**

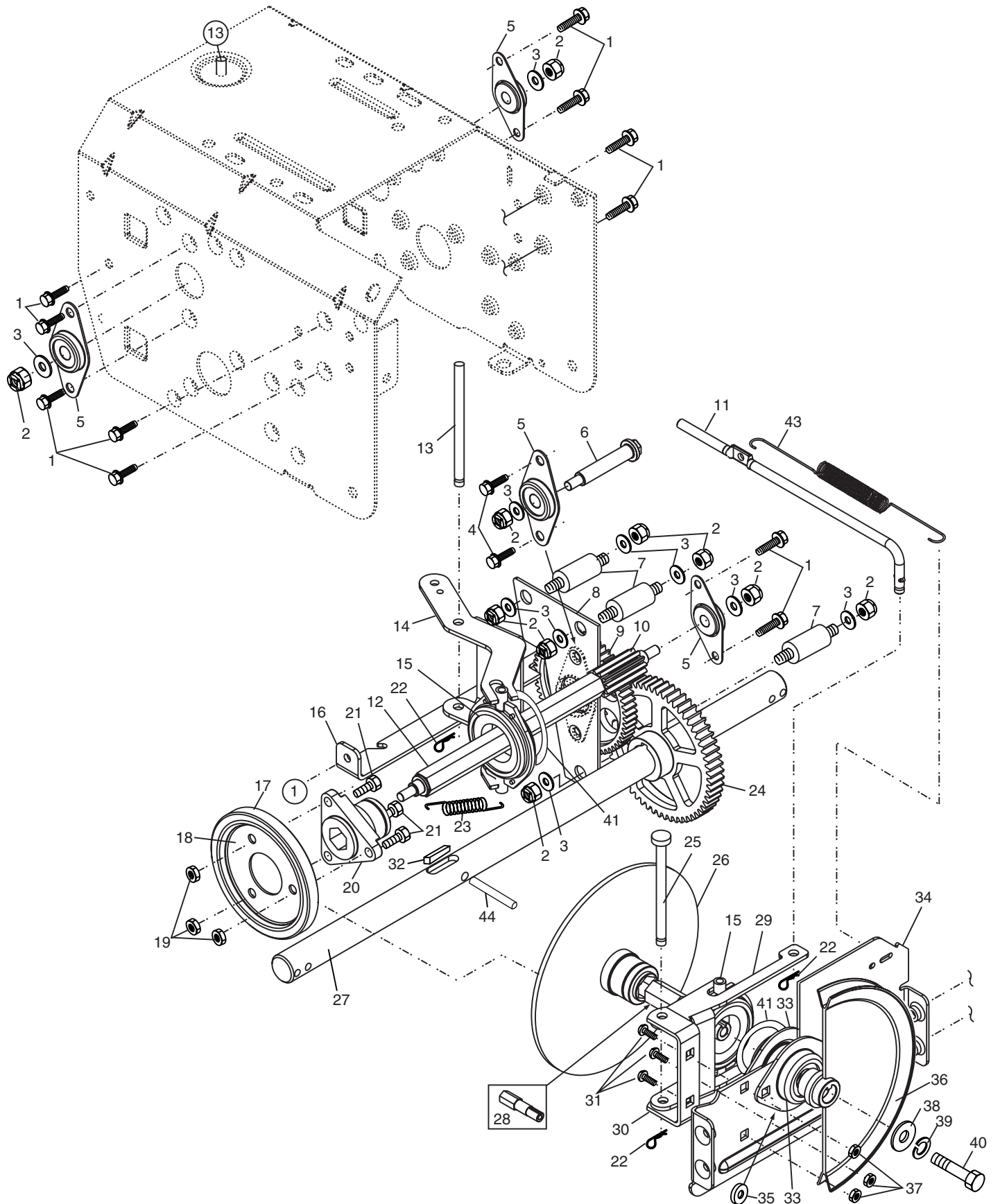
| KEY NO. | PART NO. | DESCRIPTION |
|---------|------------|---|
| 1 | 178875X479 | Lever, Auger Control, RH |
| 2 | 178648X479 | Lever, Traction Drive Control, LH |
| 3 | 179439 | Nut, Cage 1/4-20 |
| 4 | 178888 | Bushing, Flange |
| 5 | 169675 | Retainer, Hairpin |
| 6 | 180402 | Screw, Hex Head 1/4-20 x 3/4 |
| 7 | 178652 | Rod, Interlock |
| 8 | 184003 | Tube Assembly, Interlock, RH |
| 9 | 178651 | Tube Assembly, Interlock, LH |
| 10 | 178645X479 | Panel, Control |
| 11 | 74780524 | Screw, Hex Head 5/16-18 x 1-1/2 |
| 12 | 74780528 | Screw, Hex Head 5/16-18 x 1-3/4 |
| 13 | 178646X479 | Handle Tube, LH |
| 14 | 178696X479 | Handle Tube, RH |
| 15 | 73800500 | Nut, Lock 5/16-18 |
| 16 | 19131316 | Washer, Flat 3/8 |
| 17 | 178899 | Knob, Handle |
| 18 | 179093 | Rod, Auger Control |
| 19 | 179098 | Rod, Traction Control |
| 20 | 180428 | End, Control Rod |
| 21 | 73350500 | Nut, Hex, Jam 5/16-18 |
| 22 | 72120618 | Bolt, Carriage 3/8-16 x 2-1/4 |
| 23 | 178825X479 | Handle Tube, Lower |
| 24 | 180447 | Sleeve, Spring |
| 25 | 180926 | Spring, Traction Drive |
| 26 | 178669 | Spring, Auger Control |
| 27 | 71210616 | Screw, Hex Head 3/8-16 x 1 |
| 28 | 180494 | Clip, Panel |
| 30 | 182906 | Console, Panel |
| 31 | 175262 | Screw, Hex Head, Tapping #10-24 x 1-1/4 |
| 32 | 750634 | Screw, Hex Head, Tapping #10-24 x 1/2 |
| 33 | 175339X008 | Latch, Interlock |
| 34 | 183518 | Bolt, Shoulder |
| 35 | 68038 | Nut, Lock 1/4-20 |
| 36 | 178831 | Spring, Torsion |
| 37 | 178658 | Spring, Interlock |
| 38 | 178666 | Headlight, Halogen |
| 39 | 178668 | Bezel, Headlight |
| 40 | 180964 | Harness, Headlight (Halogen) |

NOTE: All component dimensions given in U.S. inches
1 inch = 25.4 mm

REPAIR PARTS

SNOW THROWER - MODEL NUMBER PP927ESA

DRIVE



**REPAIR PARTS
DRIVE****SNOW THROWER - MODEL NUMBER PP927ESA**

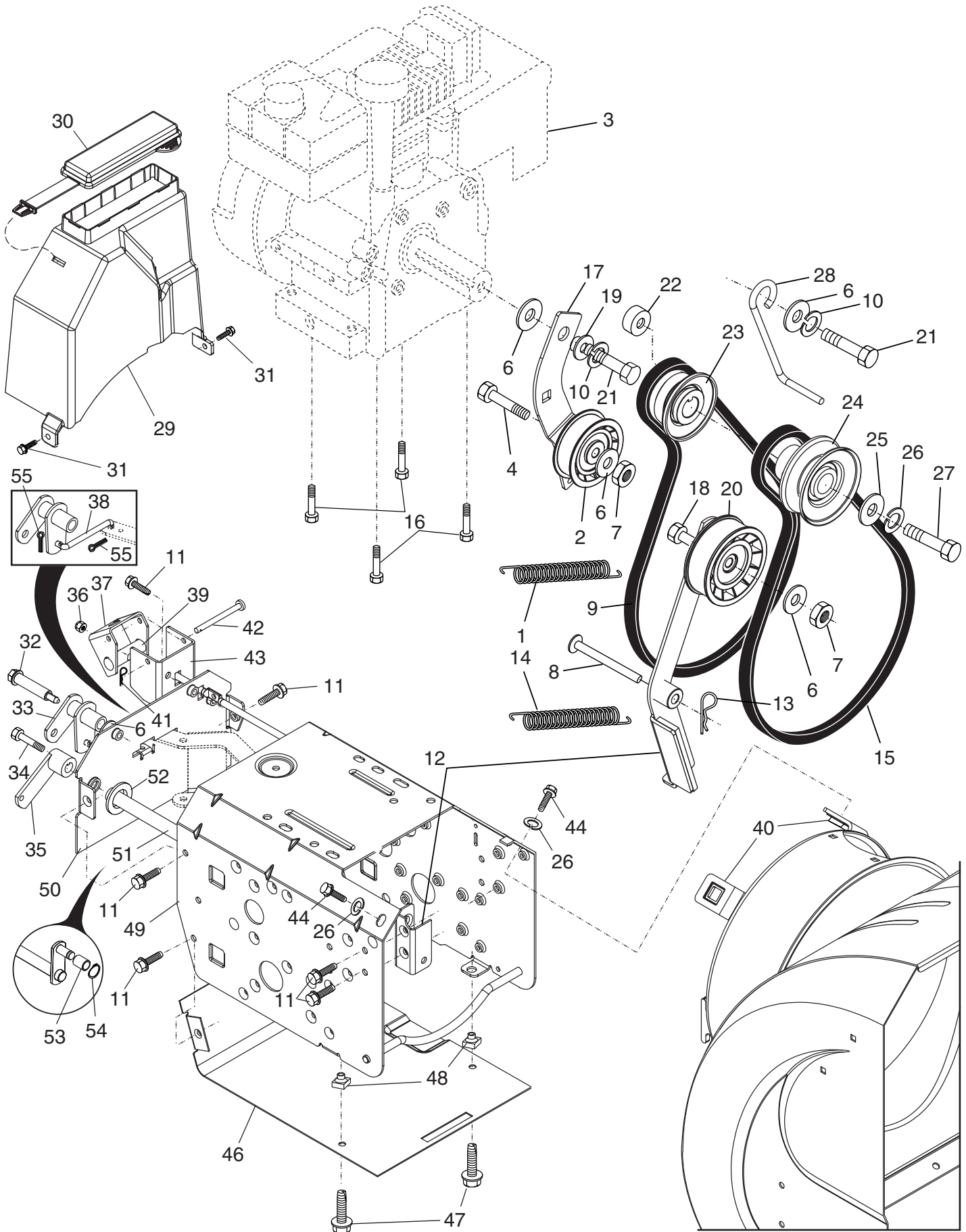
| KEY NO. | PART NO. | DESCRIPTION |
|---------|------------|-------------------------------|
| 1 | 146315 | Screw, Hex Head 5/16-18 x 3/4 |
| 2 | 73800500 | Nut, Lock 5/16-18 |
| 3 | 155415 | Washer, Flat |
| 4 | 17490508 | Screw, Hex Head 5/16-18 x 1/2 |
| 5 | 180017 | Bearing, Flange |
| 6 | 180134 | Shaft, Auxiliary |
| 7 | 179270 | Spacer, Plate |
| 8 | 179269X479 | Plate, Auxiliary |
| 9 | 180082 | Gear, Intermediate (12/58) |
| 10 | 180065 | Gear, Pinion |
| 11 | 178812 | Rod, Clutch |
| 12 | 180066 | Shaft, Long, Hex |
| 13 | 178807 | Pin, Pivot |
| 14 | 178619X479 | Lever, Shifter / Wheel |
| 15 | 175344 | Trunnion Bearing Assembly |
| 16 | 178805X479 | Bracket, Pivot, Shift |
| 17 | 179831 | Ring, Rubber Wheel |
| 18 | 178616X479 | Plate, Rubber Wheel |
| 19 | 73930500 | Nut, Lock 5/16-18 |
| 20 | 178613 | Hub, Rubber Wheel |
| 21 | 74760514 | Screw, Hex Head 5/16-18 x 7/8 |
| 22 | 85179 | Retainer, Hairpin |
| 23 | 180135 | Spring, Bias |
| 24 | 180081 | Gear, Axle (58 Teeth) |
| 25 | 178695 | Pin, Pivot Lever |
| 26 | 175341 | Plate Assembly, Drive |
| 27 | 178621 | Shaft, Axle |
| 28 | 175340 | Shaft, Short Hex |
| 29 | 175350X479 | Lever, Shifter Plate |
| 30 | 175349X479 | Bracket, Shifter Support |
| 31 | 72270505 | Bolt, Carriage 5/16-18 x 5/8 |
| 32 | 178879 | Key, Square 1/4 x 1/4 x 7/8 |
| 33 | 175323 | Bearing, Flange |
| 34 | 175338X479 | Plate, Drive Mounting |
| 35 | 182504 | Spacer, Bearing |
| 36 | 175348 | Pulley, Traction Drive |
| 37 | 155377 | Nut, Lock 5/16-18 |
| 38 | 59289 | Washer, Flat |
| 39 | 10040500 | Washer, Lock 5/16 |
| 40 | 74950512 | Screw, Hex Head 5/16-18 x 3/4 |
| 41 | 12000012 | Ring, Retaining |
| 43 | 179095 | Spring, Return |
| 44 | 9465M | Pin, Roll |

NOTE: All component dimensions given in U.S. inches
1 inch = 25.4 mm

REPAIR PARTS

SNOW THROWER - MODEL NUMBER PP927ESA

CHASSIS / ENGINE / PULLEYS



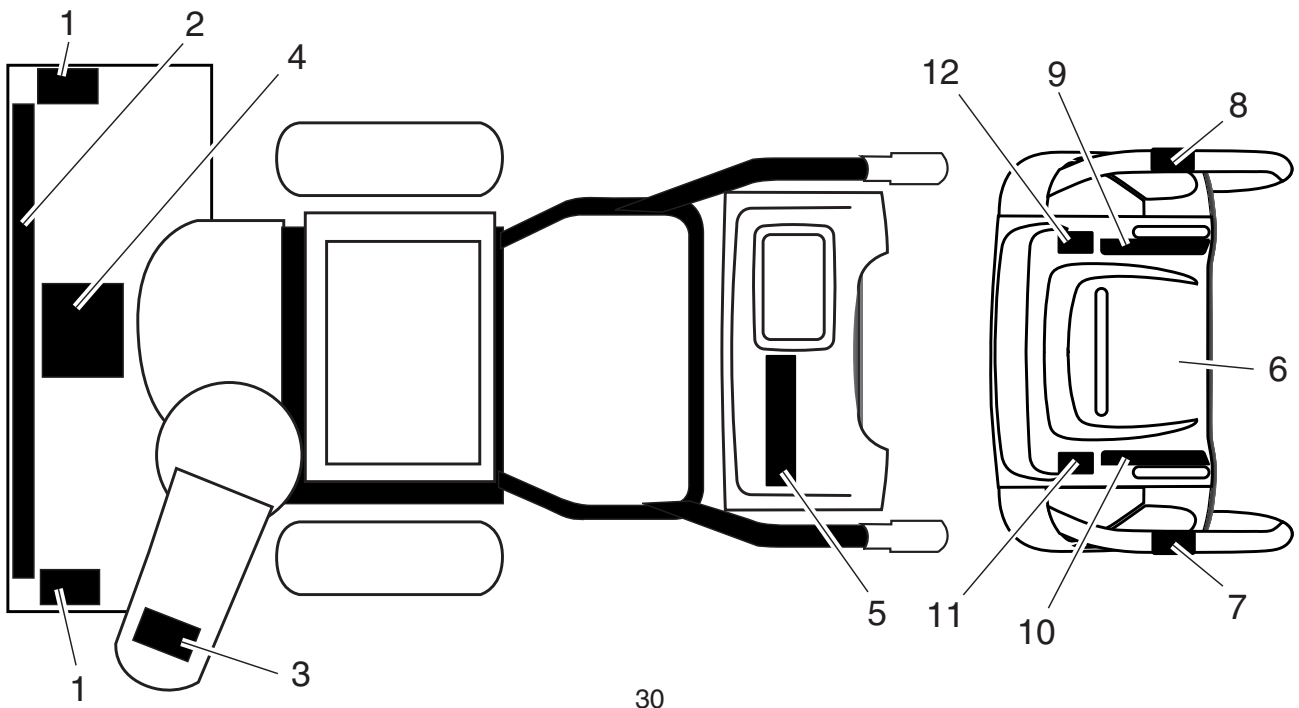
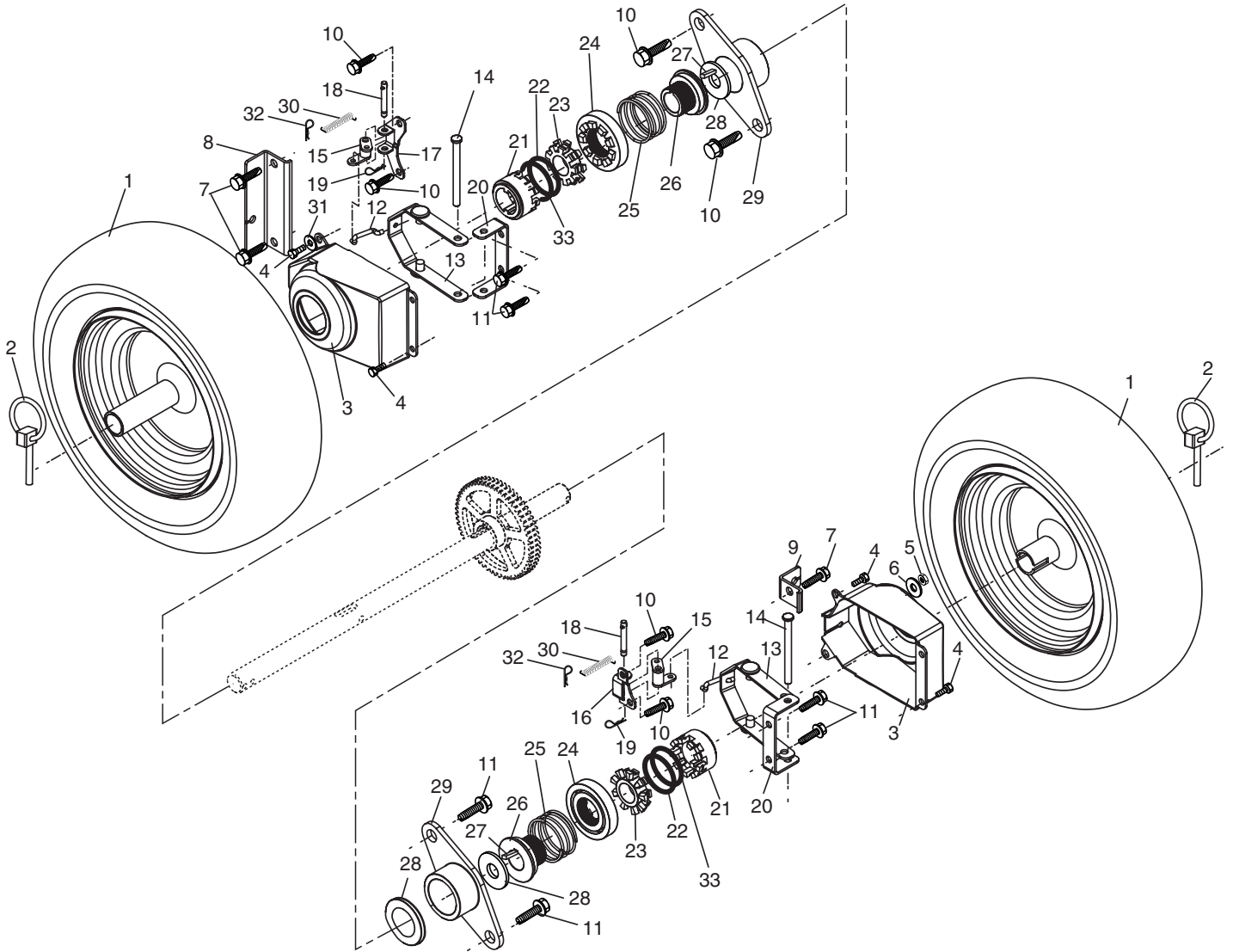
REPAIR PARTS**SNOW THROWER - MODEL NUMBER PP927ESA****CHASSIS / ENGINE / PULLEYS**

| KEY NO. | PART NO. | DESCRIPTION |
|---------|------------|---|
| 1 | 181044 | Spring, Traction Idler |
| 2 | 180522 | Pulley, Idler (2-1/4) |
| 3 | --- | Engine, Tecumseh, Model Number OHSK90 (Order parts from Engine manufacturer) |
| 4 | 74780520 | Screw, Hex Head 5/16-18 x 1-1/4 |
| 6 | 59289 | Washer, Flat |
| 7 | 73930500 | Nut, Jam, Lock 5/16-18 |
| 8 | 175330 | Pin, Idler Pivot |
| 9 | 179092 | V-Belt, Traction Drive |
| 10 | 10040500 | Washer, Lock 5/16 |
| 11 | 150078 | Screw, Hex Head 5/16-18 x 3/4 |
| 12 | 184789 | Impeller Idler Arm & Bracket Assembly (Includes Key numbers 8 and 13) |
| 13 | 85179 | Retainer, Hairpin |
| 14 | 178828 | Spring, Brake |
| 15 | 183533 | V-Belt, Impeller Drive |
| 16 | 150406 | Screw, Hex Head 3/8-16 x 1-1/4 |
| 17 | 179354X008 | Arm, Idler |
| 18 | 74780524 | Screw, Hex Head 5/16-18 x 1-1/2 |
| 19 | 175331 | Bushing, Idler Pivot |
| 20 | 180523 | Pulley, Idler (2-3/4) |
| 21 | 74610516 | Screw, Hex Head 5/16-18 x 1 |
| 22 | 179371 | Spacer, Engine Pulley |
| 23 | 180478 | Pulley, Engine, Traction Drive |
| 24 | 179157 | Pulley, Engine, Impeller Drive |
| 25 | 62735 | Washer, Flat 3/8 |
| 26 | 10040600 | Washer, Lock 3/8 |
| 27 | 851084 | Screw, Hex Head 3/8-24 x 1-3/8 |
| 28 | 155452 | Guide, Belt |
| 29 | 180465 | Cover, Belt |
| 30 | 178830 | Cover, Toolbox |
| 31 | 17490408 | Screw, Hex Head 1/4-20 x 1/2 |
| 32 | 179256 | Bolt, Shoulder 5/16-18 |
| 33 | 179250 | Bellcrank Shifter |
| 34 | 180401 | Screw, Hex Head 1/4-28 x 3/4 |
| 35 | 179240 | Arm, Auger Control |
| 36 | 73800500 | Nut, Lock 5/16-18 |
| 37 | 178833X479 | Bellcrank Assembly |
| 38 | 179251 | Link, Speed Control |
| 39 | 179064 | Trunnion, Pivot Bracket |
| 40 | 178890 | Nut, Cage 3/8-16 |
| 41 | 76020208 | Pin, Cotter 1/16 x 1/2 |
| 42 | 179065 | Pin, Pivot Bracket |
| 43 | 179063X479 | Bracket, Bellcrank |
| 44 | 74780624 | Screw, Hex Head 3/8-16 x 1-1/2 |
| 46 | 178624X479 | Pan, Frame Bottom |
| 47 | 71020512 | Screw, Hex Head 5/16-18 x 3/4 |
| 48 | 181156 | Nut, Speed 5/16-18 |
| 49 | 183852X428 | Frame Assembly |
| 50 | 178693X428 | Plate, Frame End |
| 51 | 179068X008 | Shaft, Auger Control |
| 52 | 57079 | Washer, Hardened |
| 53 | 179062 | Roller |
| 54 | 12000010 | Ring, Retaining |
| 55 | 700279 | Clip, Retainer |

NOTE: All component dimensions given in U.S. inches. 1 inch = 25.4 mm

REPAIR PARTS
WHEELS / DECALS

SNOW THROWER - MODEL NUMBER PP927ESA



REPAIR PARTS**SNOW THROWER - MODEL NUMBER PP927ESA****WHEELS / DECALS**

| KEY NO. | PART NO. | DESCRIPTION |
|---------|------------|----------------------------------|
| 1 | 178834 | Wheel Assembly (16" Power Steer) |
| 2 | 155443 | Pin, Klik 1/4 |
| 3 | 181843 | Cover, Power Steering |
| 4 | 17541008 | Screw, Hex Head #10-24 x 1/2 |
| 5 | 73800500 | Nut, Lock 5/16-18 |
| 6 | 155415 | Washer, Flat 5/16 |
| 7 | 71210616 | Screw, Hex Head 3/8-16 x 1 |
| 8 | 182064X479 | Bracket, Steer Cable RH |
| 9 | 182044X479 | Bracket, Steer Cable LH |
| 10 | 150078 | Screw, Hex Head 5/16-18 x 3/4 |
| 11 | 17490508 | Screw, Hex Head 5/16-18 x 1/2 |
| 12 | 184393 | Link, Steering Lever |
| 13 | 184288X479 | Lever Assembly, Steering |
| 14 | 182015 | Pin, Steering Lever |
| 15 | 184361 | Bellcrank Assembly |
| 16 | 181982 | Bracket Assembly, LH Steering |
| 17 | 182063 | Bracket Assembly, RH Steering |
| 18 | 181847 | Pin, Steering Bellcrank |
| 19 | 85179 | Retainer, Hairpin |
| 20 | 179148X479 | Bracket, Lever Assembly |
| 21 | 179141 | Driver, Wheel |
| 22 | 182466 | Ring, Wire Retainer |
| 23 | 179136 | Lobe, Wheel |
| 24 | 179138 | Slide, Clutch |
| 25 | 179139 | Spring, Clutch Slide |
| 26 | 179137 | Lobe, Axle |
| 27 | 178879 | Key, Square 1/4 |
| 28 | 174697 | Washer, Thrust (1") |
| 29 | 179830 | Bearing, Axle |
| 30 | 182226 | Spring, Return |
| 31 | 4802 | Washer, Flat |
| 32 | 700279 | Clip, Retainer |
| 33 | 12000045 | Ring, Retaining |

| KEY NO. | PART NO. | DESCRIPTION |
|---------|----------|----------------------------|
| 1 | 181037 | Decal, Danger |
| 2 | 183886 | Decal, Poulan Pro, 9HP/27" |
| 3 | 181035 | Decal, Danger, Deflector |
| 4 | 181042 | Decal, Danger |
| 5 | 183885 | Decal, Poulan Pro |
| 6 | 181033 | Decal, Instruction |
| 7 | 155798 | Decal, Traction Lever |
| 8 | 155800 | Decal, Auger Lever |
| 9 | 181039 | Decal, Speed Control |
| 10 | 183730 | Decal, Remote Deflector |
| 11 | 183907 | Decal, LH Trigger |
| 12 | 183905 | Decal, RH Trigger |
| -- | 183616 | Owner's Manual (English) |
| -- | 184742 | Owner's Manual (French) |

NOTE: All component dimensions given in U.S. inches
1 inch = 25.4 mm