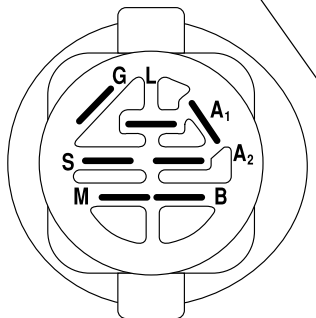
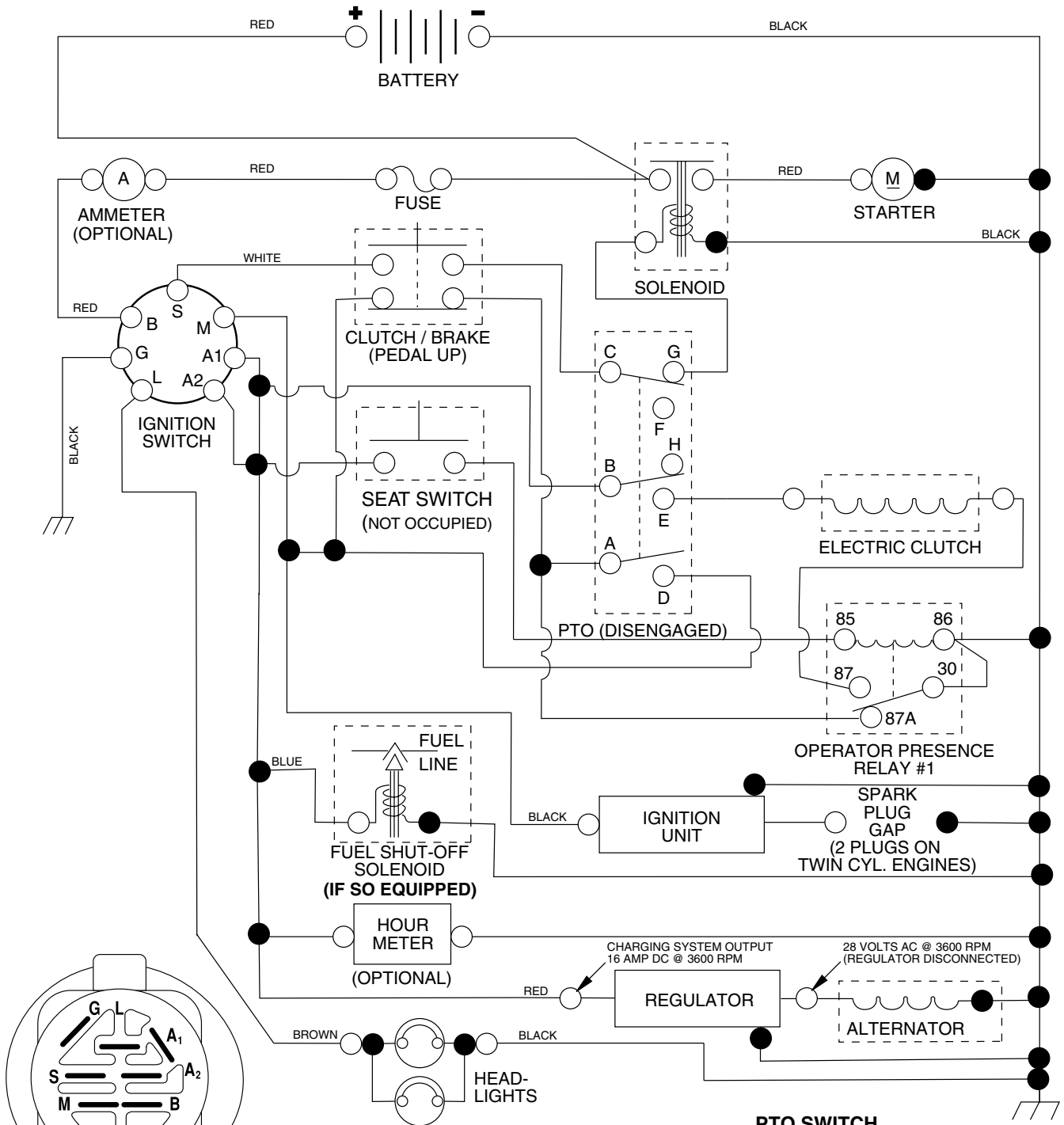


TRACTOR - MODEL NUMBER POGT20T48STA, PRODUCT NO. 954 56 96-77
SCHEMATIC



IGNITION SWITCH

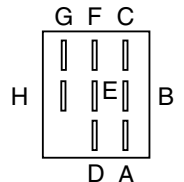
POSITION	CIRCUIT	"MAKE"
OFF	M+G+A1	NONE
RUN/LIGHT	B+A1	A2+L
RUN	B+A1	NONE
START	B + S + A1	NONE



WIRING INSULATED CLIPS

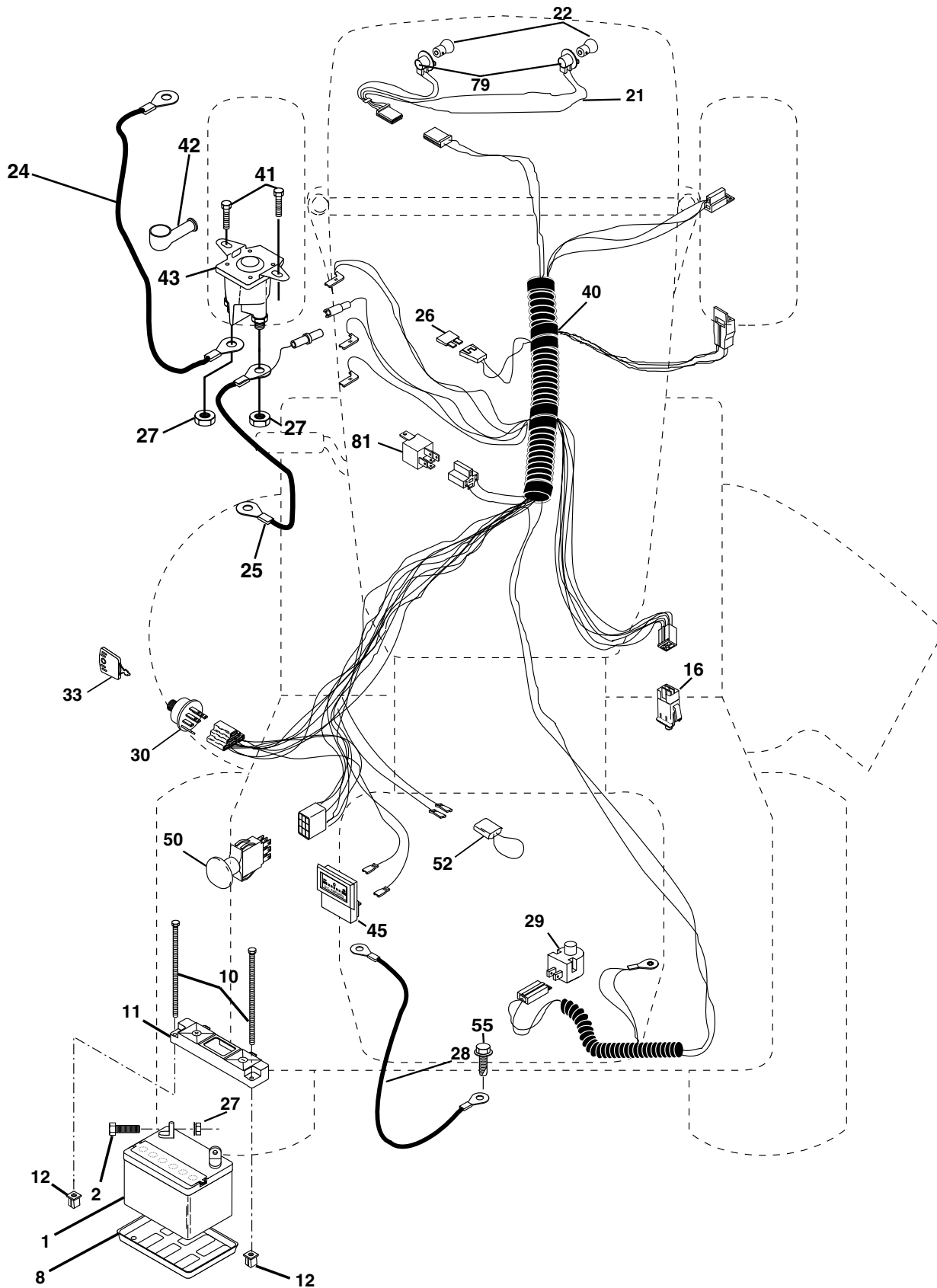
NOTE: IF WIRING INSULATED CLIPS WERE REMOVED FOR SERVICING OF UNIT, THEY SHOULD BE REPLACED TO PROPERLY SECURE YOUR WIRING.

POSITION	CIRCUIT
OFF	C + G, B + H
ON	C + F, B + E, A + D



REPAIR PARTS

TRACTOR - MODEL NUMBER POGT20T48STA, PRODUCT NO. 954 56 96-77
ELECTRICAL



REPAIR PARTS

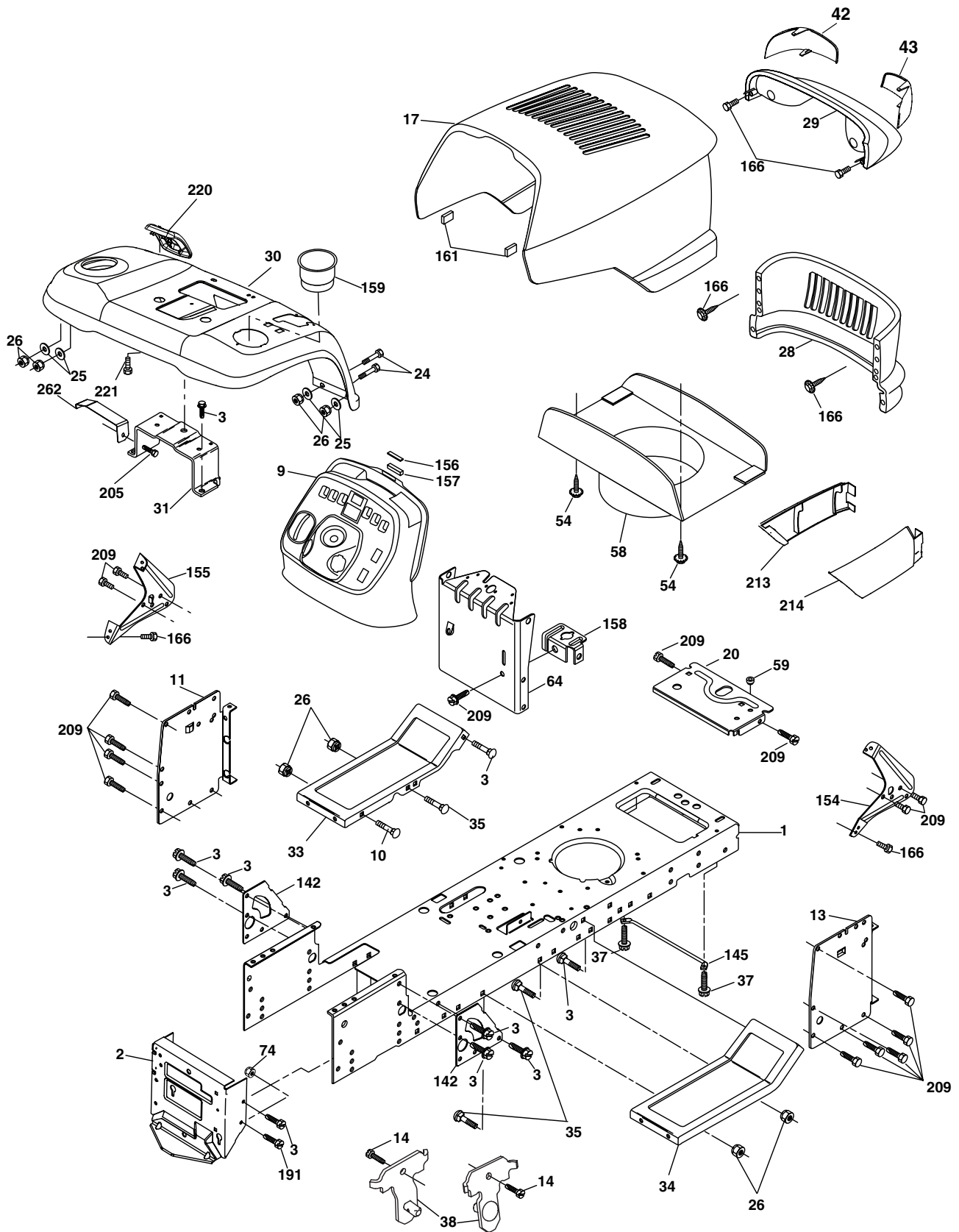
TRACTOR - MODEL NUMBER POGT20T48STA, PRODUCT NO. 954 56 96-77
ELECTRICAL

KEY NO.	PART NO.	DESCRIPTION
1	144927	Battery
2	74760412	Bolt Hex Hd 1/4-20 UNC X 3/4
8	7603J	Tray, Battery
10	145211	Bolt, BTR FRT 1/4-20 x 7.5
11	150109	Hold Down Battery, Front
12	145769	Nut, Push, Nylon
16	176138	Switch Interlock Push-In
21	175688	Harness Asm Light W/4152j
22	4152J	Bulb Light
24	8860R	Cable Battery
25	146148	Cable Batterywire
26	175158	Fuse
27	73510400	Nut Keps Hex 1/4-20 Unc
28	145491	Cable Ground
29	160784	Switch Plunger Normal OP Olive
30	175566	Switch Ign 4 pos w/lights
33	140401	Key Ign
40	186845	Harness Ign.
41	17720408	Bolt Blk Fin Hex 1/4-20 x 1/2
42	131563	Cover Terminal Red
43	178861	Solenoid
45	122822X	Ammeter Rectangular
50	174651	Switch, PTO
52	141940	Protection wire Loop (Hour Meter)
55	17490508	Screw Thdrol 5/16-18 x 1/2
79	175242	Socket Asm Bulb Twistlock
81	109748X	Relay Asm

NOTE: All component dimensions given in U.S. inches
1 inch = 25.4 mm

REPAIR PARTS

TRACTOR - MODEL NUMBER POGT20T48STA, PRODUCT NO. 954 56 96-77
CHASSIS AND ENCLOSURES



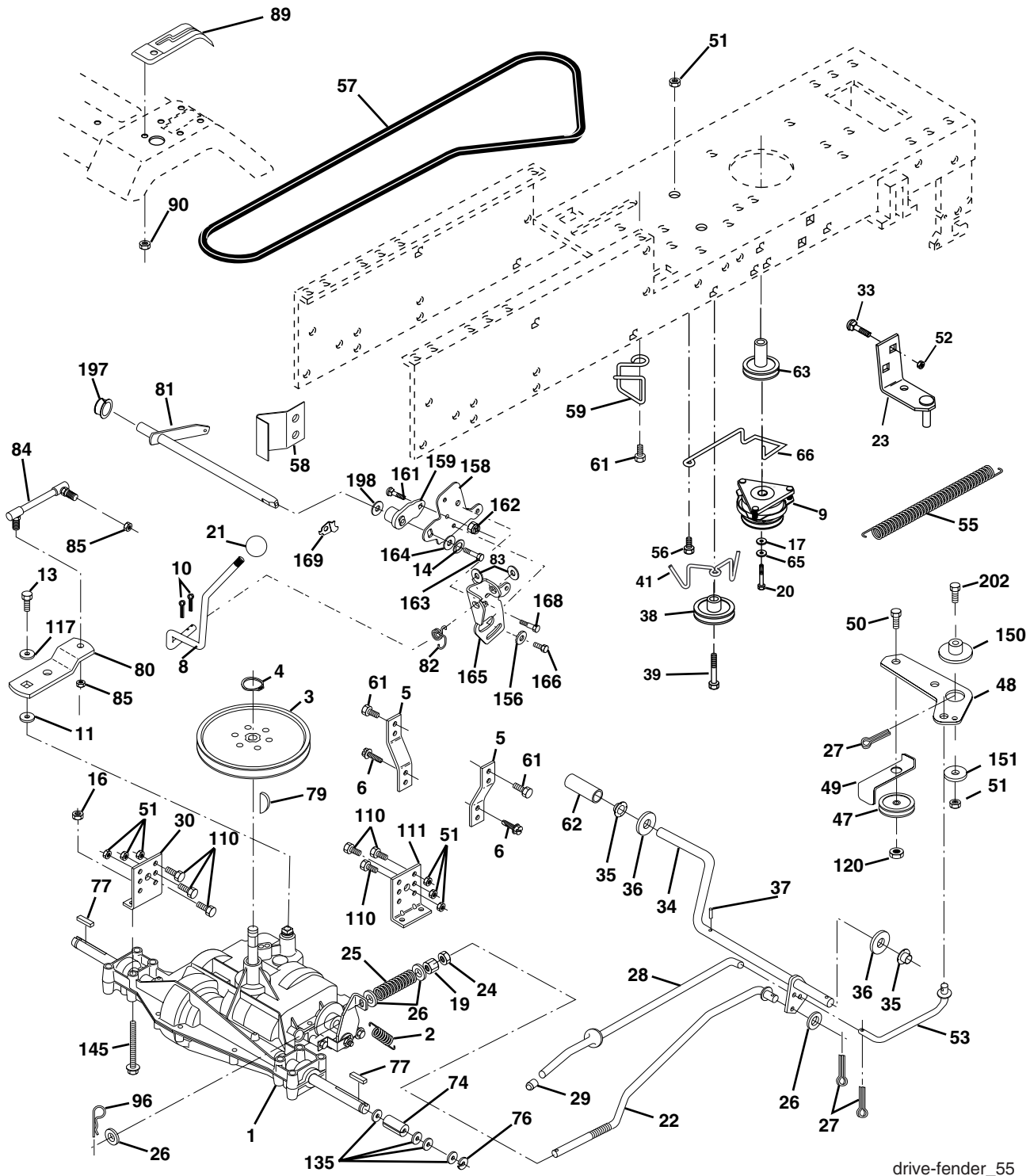
REPAIR PARTS**TRACTOR - MODEL NUMBER POGT20T48STA, PRODUCT NO. 954 56 96-77
CHASSIS AND ENCLOSURES**

KEY NO.	PART NO.	DESCRIPTION
1	174619	Chassis
2	176554	Drawbar
3	17060612	Screw 3/8-16x3/4
9	163976X428	Dash
10	72140608	Bolt 3/8-16 x 1
11	167203	Panel Dash Lh
13	178297X010	Panel Dash Rh
14	17490608	Screw Thdrol 3/8-16 x 1/2
17	175260X428	Hood
20	162026	Plate Battery
24	74780616	Bolt 3/8-16 x 1 Gr. 5
25	19131312	Washer 13/32 X 13/16 X 12 Ga
26	73800600	Nut Lock Hex W/Ins 3/8-16 Unc
28	175289X428	Grille
29	179763	Light Box Asm W/Lens
30	179775X428	Fender
31	183569	Bracket Fender
33	179716X428	Footrest LH
34	179717X428	Footrest RH
35	72110606	Bolt 3/8-16 x 3/4
37	17490508	Screw Thdrol 6/16-18 x 1/2 TYT
38	175710	Bracket, Asm. Pivot Mower Rear
42	161841	Lens LH
43	161842	Lens RH
54	161464	Screw Hex Wshd 8-18 x 7/8
58	175351	Duct Hood
59	177579	Bushing Snap
64	174997	Dash Lower
74	73680600	Nut Crownlock 3/8-16
142	175702	Plate Reinforcement STLT
145	156524	Rod Pivot Chassis/Hood
154	161897	Bracket Dash Rh
155	161900	Bracket Dash Lh
156	163805	Striker Plate
157	163806	Magnet Stealth
158	162037	Bracket Parking Brake
159	179125X428	Cupholder
161	164655	Extrusion Bumper
166	171875	Screw HwHd Hi-Lo #13-16 x 3/4
191	74780612	Bolt Fin Hex 3/8-16unc x 3/4 Gr. 5
205	17490608	Screw 3/8-16 x 1/2
209	17000612	Screw Hexwsh Thdrol 3/8-16 x 3/4
213	169848X428	Skirt Grille Lh
214	169847X428	Skirt Grille Rh
220	179612X428	Console Fuel Window
221	142432	Screw Hex Wsh Hi-Lo 1/4-1/2 Unc
262	183554	Bracket Support Tank

NOTE: All component dimensions given in U.S. inches
1 inch = 25.4 mm

REPAIR PARTS

TRACTOR - MODEL NUMBER POGT20T48STA, PRODUCT NO. 954 56 96-77
DRIVE



drive-fender_55

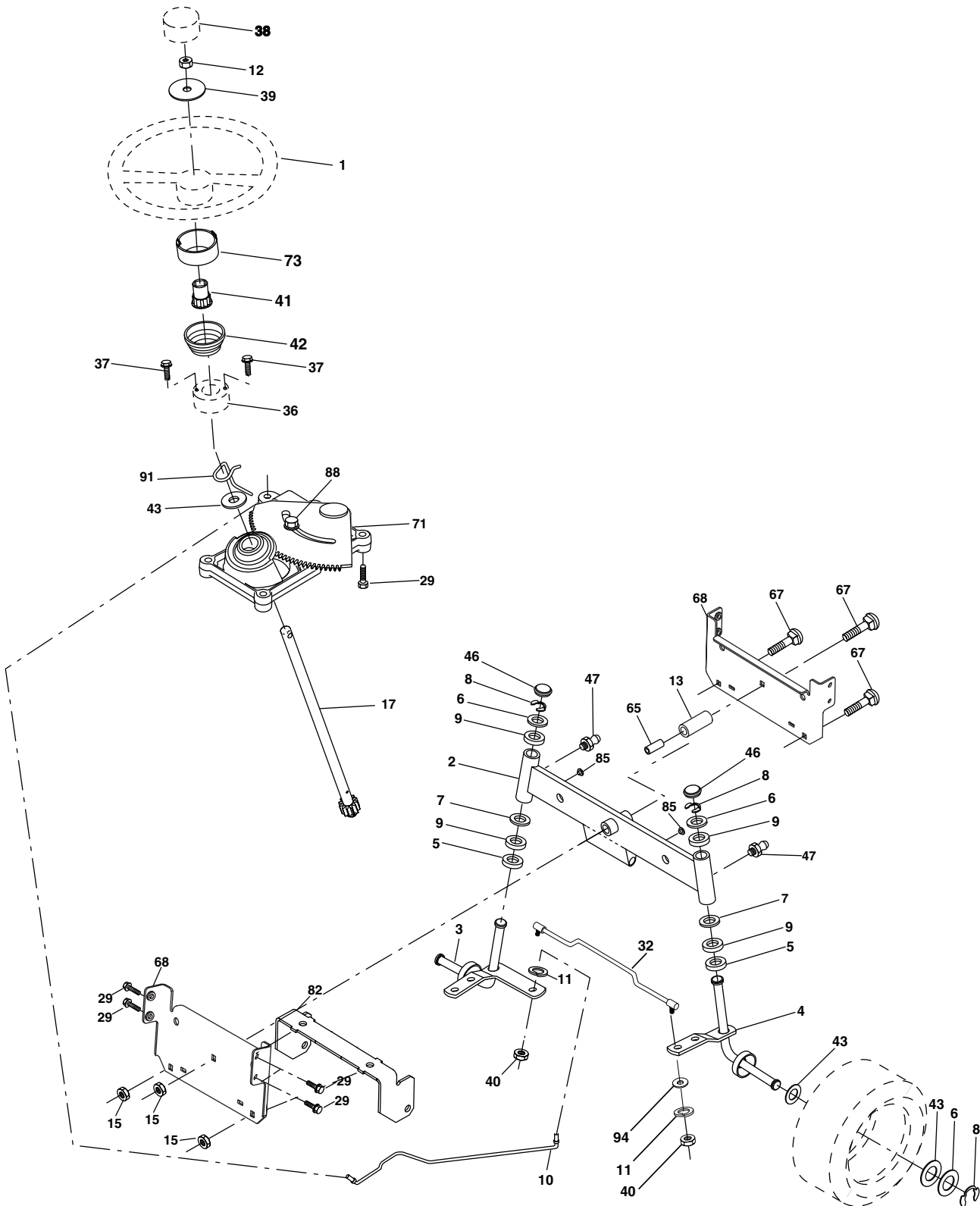
REPAIR PARTS**TRACTOR - MODEL NUMBER POGT20T48STA, PRODUCT NO. 954 56 96-77
DRIVE**

KEY NO.	PART NO.	DESCRIPTION	KEY NO.	PART NO.	DESCRIPTION
1	-----	Transaxle, Peerless P820EHD (Order Parts From Transaxle Manufacturer)	58	123792X	Keeper, Belt, Transaxle, R.H.
2	146682	Spring Brake Return	59	169691	Keeper Belt Centerspan
3	121327X	Pulley Transaxle	61	17120614	Screw 3/8-16 x .875
4	12000004	Ring Retainer	62	8883R	Cover, Foot Pedal
5	123787X	Strap Torque	63	174607	Pulley, Engine
6	17060512	Screw 5/16-18 x 3/4	65	10040700	Washer, Lock Hvy Hlcl Spr 7/16
8	166020	Rod Shift Fender Adjust Yt	66	154778	Keeper Belt Engine F-proof
9	179334	Clutch Ogura	74	108097X	Spacer Split 1.032 x .750
10	76020416	Pin, Cotter 1/8 x 1	76	12000053	E-Ring
11	105701X	Washer Plate	77	9396E	Key Square 1/4 x 2
13	74550412	Bolt 1/4-28	79	2228M	Key Woodruff #9 3/16 x 3/4
14	10040400	Washer Lock Hvy Helical	80	123794X	Arm Shift
16	73800500	Nut Lock Hx w/lns. 5/16-18 Unc	81	165598	Shaft Asm Cross Tapered
17	126197X	Washer 1-1/2 x 15/32 x .250	82	165711	Spring, Torsion
19	73800600	Nut, Lock Hex w/lns. 3/8-16 Unc	83	19171216	Washer 17/32 x 3/4 x 16 Gauge
20	173937	Bolt 7/16-20 x 4 Gr. 5-1.5	84	166230	Link Transaxle
21	140845	Knob	85	150360	Nut Lock Center 1/4-28
22	145340	Rod, Brake	89	185929X428	Console
23	178289	Bracket Anti Rotation	90	142432	Screw Hex Wsh Hi-Lo 1/4-1/2 Unc
24	73350600	Nut, Hex Jam 3/8-16	96	4497H	Retainer Spring 1" Zinc/cad.
25	126909X	Spring, Rod, Brake	110	74780612	Bolt Hex 3/8-16 x 3/4 Gr. 5
26	19131016	Washer 13/32 x 5/8 x 16 Ga.	111	123776X	Bracket, Transaxle, R.H.
27	76020412	Pin, Cotter 1/8 x 3/4	117	19091216	Washer 9/32 x 3/4 x 16
28	175765	Rod, Brake, Park	120	73900600	Nut Lock Flg. 3/8-16 Unc
29	71673	Cap, Brake Parking Black	145	74490540	Bolt Hex Flghd 5/16-18 Gr. 5
30	123780X	Bracket, Transaxle, L.H.	150	175456	Spacer
33	72140608	Bolt 3/8-16 x 1	151	19133210	Washer 13/32 x 2 x 10 Ga.
34	175578	Shaft, Foot Pedal	156	166002	Washer Srrted 5/16ID x 1.125
35	120183X	Bearing Nylon	158	165589	Bracket Shift Mount
36	19211616	Washer 21/32 x 1 x 16 Gauge	159	183900	Hub Shift
37	1572H	Pin, Roll 3/16 x 1	161	72140406	Bolt Rdhd Sqnk 1/4-20 x 3/4 Gr 5
38	179114	Pulley Idler Composite	162	73680400	Nut Crownlock 1/4-20 Unc
39	74760648	Bolt Rdhd 3/8-16 Unc x 3	163	74780416	Bolt Hex Fin 1/4-20 Unc x 1 Gr 5
41	175556	Keeper, Idler	164	19091010	Washer 5/8 x .281 x 10 Ga
47	127783	Pulley, Idler	165	165623	Bracket Pivot Lever
48	154407	Bellcrank Clutch Grnd Drv Stl	166	166880	Screw 5/16-18 x 5/8
49	123205X	Retainer, Belt	168	165492	Bolt Shoulder 5/16-18 x .561
50	72110612	Bolt 3/8-16 x 1-1/2	169	165580	Plate Fastening Lt
51	73680600	Nut, Crownlock 3/8-16	197	169613	Nyliner Snap-In 5/8" Id
52	145212	Nut	198	169593	Washer Nyl 7/8 Id x .105
53	105710X	Link, Clutch			
55	105709X	Spring, Return, Clutch			
56	17060620	Screw 3/8-16 x 1-1/4			
57	163817	V-Belt, Drive			

NOTE: All component dimensions give in U.S. inches.
1 inch = 25.4 mm

REPAIR PARTS

TRACTOR - MODEL NUMBER POGT20T48STA, PRODUCT NO. 954 56 96-77
STEERING ASSEMBLY



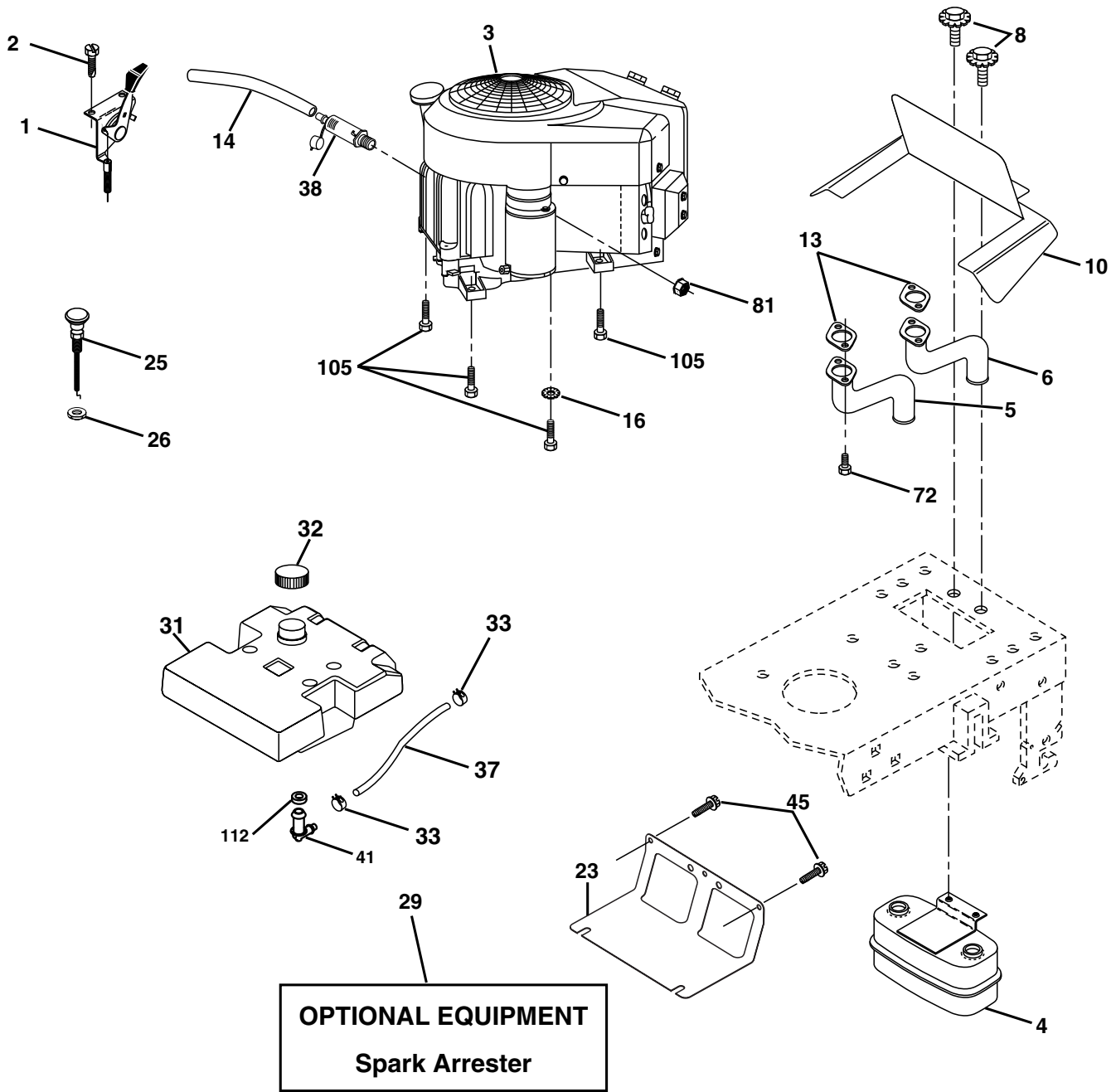
REPAIR PARTS**TRACTOR - MODEL NUMBER POGT20T48STA, PRODUCT NO. 954 56 96-77
STEERING ASSEMBLY**

KEY NO.	PART NO.	DESCRIPTION
1	184704X428	Wheel Steering
2	175131	Axle Asm.
3	169840	Spindle Asm LH
4	169839	Spindle Asm RH
5	6266H	Bearing Race Thrust Harden
6	121748X	Washer 25/32 X 1-5/8 X 16 Ga
7	19272016	Washer 27/32 x 1-1/4 x 16 Ga.
8	12000029	Ring Klip #t5304-75
9	3366R	Bearing
10	175121	Link Drag
11	10040600	Washer Lock Hvy Hlcl Spr 3/8
12	73940800	Nut Hex Jam Toplock 1/2-20 UNF
13	136518	Spacer Brg Axle Front
15	145212	Nut Hex Flange Lock
17	177883	Shaft Asm Strg
29	17060612	Screw 3/8-16 x 3/4
32	180580	Rod Tie
36	155105	Bushing Strg
37	152927	Screw TT #32.5 x 5 x 3/8 Flange
38	159946X428	Cap Wheel Steer
39	19182411	Washer 9/16 x 1-1/2 x 11 Ga.
40	7810H	Nut Lock Center 3/8-24 Unf
41	159945	Adaptor Wheel Strg
42	163888X428	Boot Steering
43	121749X	Washer 25/32 x 1 1/4 x 16 Ga
46	121232X	Cap Spindle Fr Top Blk
47	183226	Fitting Grease
65	160367	Spacer Brace Axle
67	72140618	Bolt Rdhd Sqn 3/8-16 x 2-1/4
68	169827	Brace, Axle
71	175146	Steering Asm.
73	160135X428	Extension Steering
82	169835	Bracket Susp Chassis Front
85	133835	Fastener Christmas Tree
88	175118	Bolt Shoulder 7/16-20 Unc
91	175553	Clip
94	19121414	Washer 3/8 x 7/8 x 14 Ga.

NOTE: All component dimensions given in U.S. inches.
1 inch = 25.4 mm.

REPAIR PARTS

TRACTOR - MODEL NUMBER POGT20T48STA, PRODUCT NO. 954 56 96-77
ENGINE



engine-tecumseh_15

REPAIR PARTS

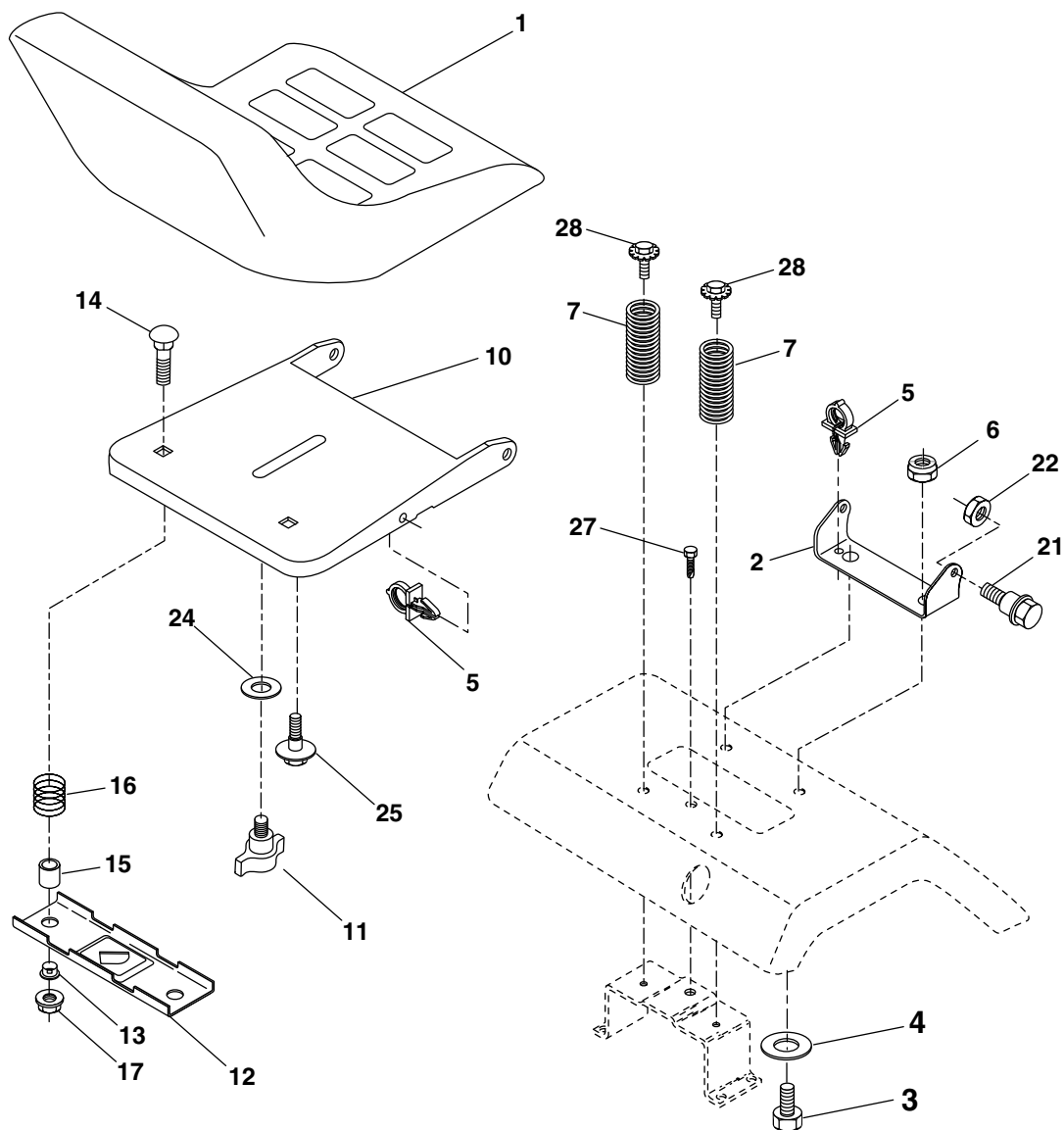
**TRACTOR - MODEL NUMBER POGT20T48STA, PRODUCT NO. 954 56 96-77
ENGINE**

KEY NO.	PART NO.	DESCRIPTION
1	176635X428	Control Throttle
2	171875	Screw Hwhd Hi-Lo #13-16 x 3/4
3	-----	Engine, Tec Model TVT691 (Order parts from engine mfg.)
4	149723	Muffler Asm Twin Lo-Tone
5	174703	Pipe Exhaust LH
6	174704	Pipe Exhaust RH
8	171877	Bolt 5/16-18 UNC x 3/4 w/Sems
10	175563	Shield Muffler
13	-----	Muffler Gasket (Order parts from engine mfg.)
14	148456	Tube Drain Oil
16	11050600	Washer Lock Ext Tooth 3/8
23	169837	Shield Heat
25	175441X428	Choke Control
26	73920600	Nut, Keps 3/8-24 UNF
29	137180	Kit Spark Arrestor (Flat Scrn)
31	179115	Tank Fuel
32	179124X428	Cap Asm Fuel
33	123487X	Clamp Hose Black
37	8543R	Line Fuel
38	181654	Plug Grain Oil
41	139277	Stem Tank Fuel
45	17000612	Screw Hexwsh Thdr 3/8-16 x 3/4
72	183906	Screw Socket Head 5/16-18 x 1
81	73510400	Nut Keps Hex 1/4-20 Unc
105	17120616	Screw Thdrol 3/8-16 x 1
112	3645J	Bushing

NOTE: All component dimensions given in U.S. inches
1 inch = 25.4 mm

REPAIR PARTS

TRACTOR - MODEL NUMBER POGT20T48STA, PRODUCT NO. 954 56 96-77 SEAT ASSEMBLY



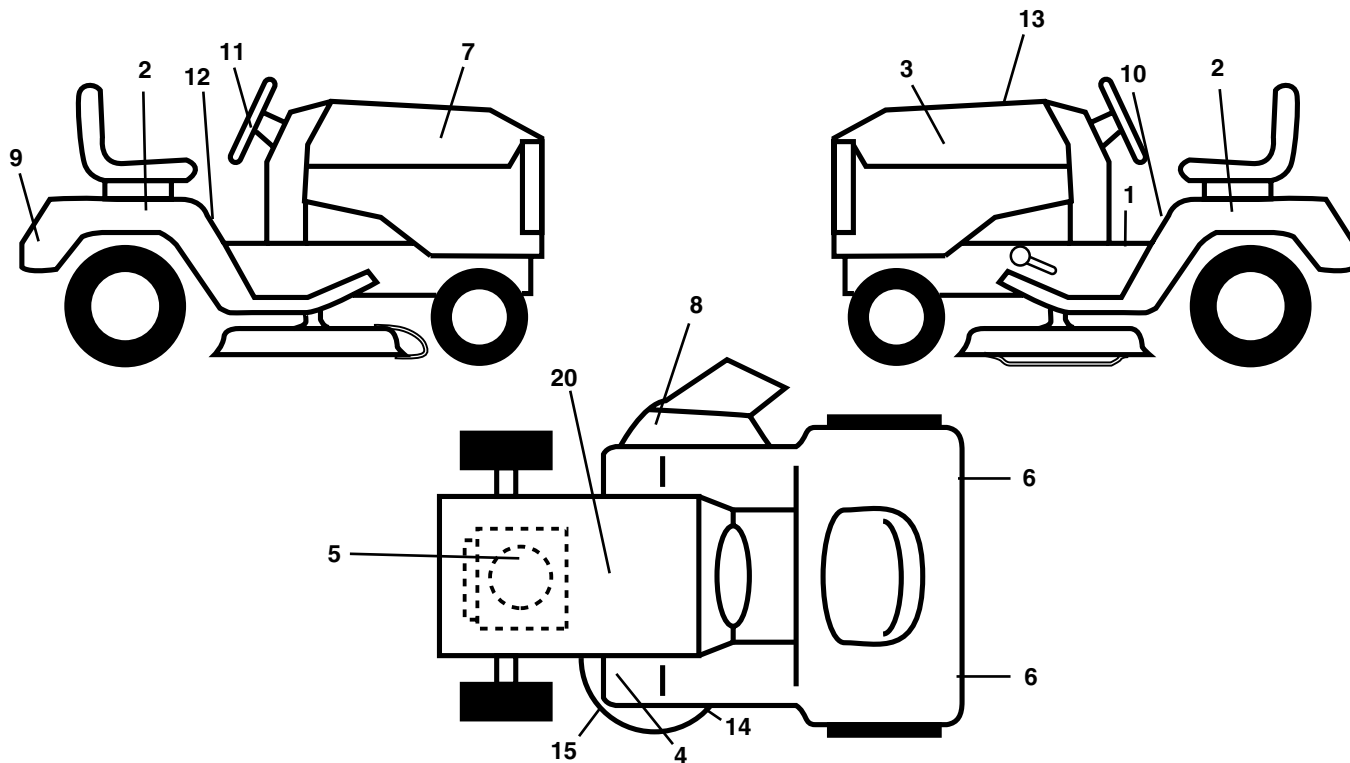
KEY NO.	PART NO.	DESCRIPTION
1	140117	Seat
2	140551	Bracket Pivot Seat 8 720
3	71110616	Bolt Fin Hex 3/8-16 Unc x 1
4	19131610	Washer Flat 13/32 x 1 x 10 Ga.
5	145006	Clip Push-In
6	73800600	Nut Hex w/Ins. 3/8-16 Unc
7	124181X	Spring Seat Cprsn 2 250 Blk Zi
10	182493	Pan Seat
11	166369	Knob Seat Adj. Wingnut
12	121246X	Bracket Mounting Switch
13	121248X	Bushing Snap Blk Nyl 50 Id
14	72050412	Bolt Rdhd Sqnk 1/4-20 x 1-1/2

KEY NO.	PART NO.	DESCRIPTION
15	134300	Spacer Split
16	121250X	Spring Cprsn
17	123976X	Nut Lock 1/4 Lge Flg Gr 5 Zinc
21	171852	Bolt Shoulder 5/16-18 Unc
22	73800500	Nut Hex Lock W/Ins 5/16-18
24	19171912	Washer 17/32 X 1-3/16 x 12 Ga.
25	127018X	Bolt Shoulder 5/16-18 x 62
27	17490608	Screw 3/8-16 x 1/2
28	171877	Bolt 5/16-18 x 3/4

NOTE: All component dimensions given in U.S. inches.
1 inch = 25.4 mm

REPAIR PARTS

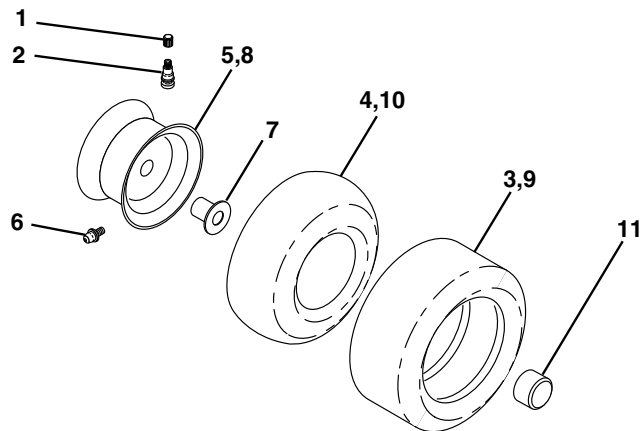
TRACTOR - MODEL NUMBER POGT20T48STA, PRODUCT NO. 954 56 96-77
DECALS



KEY NO.	PART NO.	DESCRIPTION
1	176674	Decal Dash
2	173493	Decal Fender Auto
3	184927	Decal Hood LH
4	181253	Decal Footrest
5	186906	Decal Tec 3yr Warranty
6	106202X	Reflector Tail Light
7	184926	Decal Hood Rh
8	170563	Decal Warning Mower
9	158166	Decal Fender Logo
10	157140	Decal Fender Danger E/F

KEY NO.	PART NO.	DESCRIPTION
11	184928	Decal Ins Strg Whl
12	140837	Decal Brake Parking
13	185625	Decal Replace Part
14	175291	Decal V-Belt Schematic
15	178502	Decal Deck Caution
20	145005	Decal Bat Dan/Psn
--	184433	Manual Owner's (English)
--	184434	Manual Owner's (French)

WHEELS & TIRES

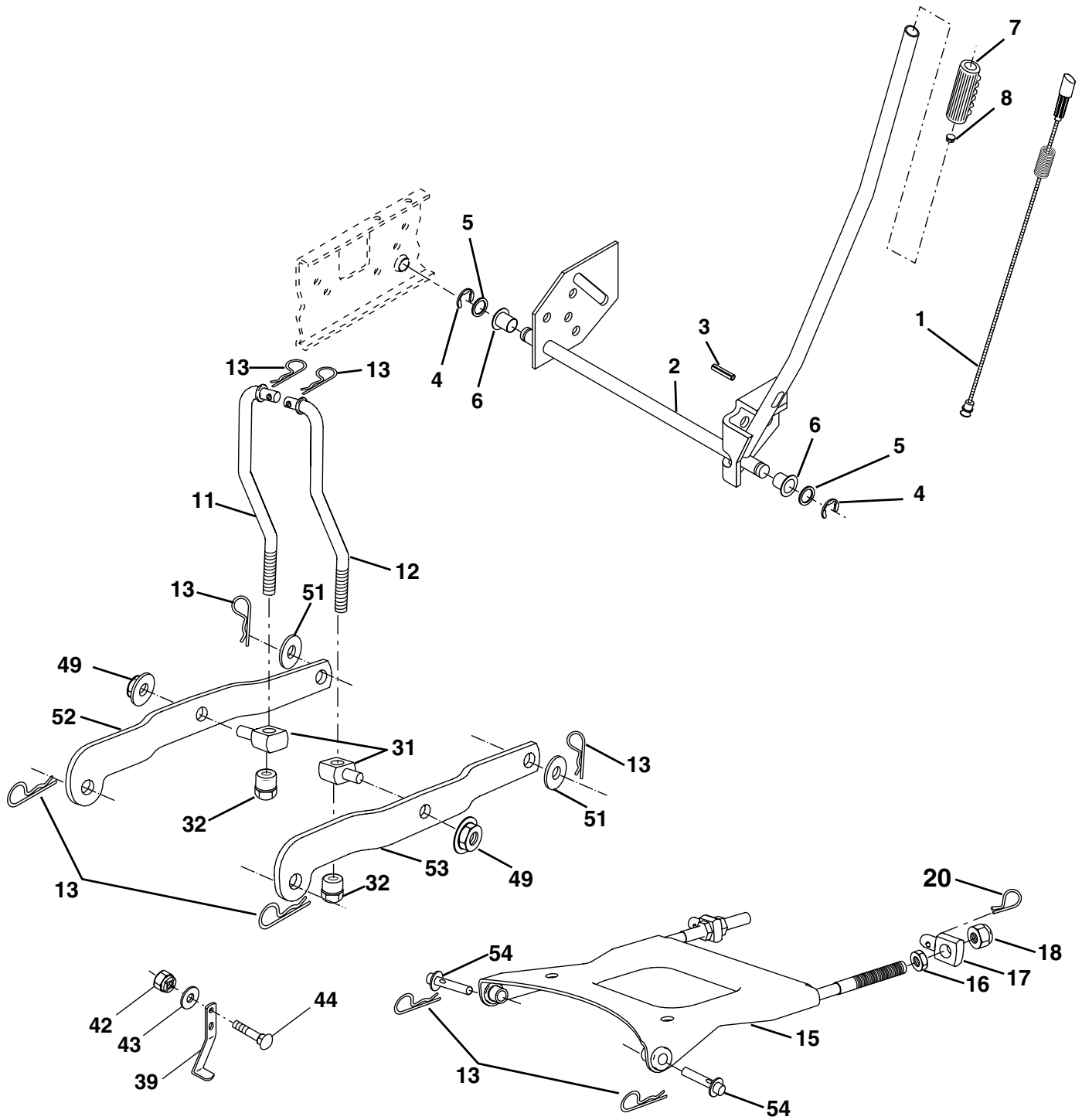


KEY NO.	PART NO.	DESCRIPTION
1	59192	Cap Valve Tire
2	65139	Stem Valve
3	106222X	Tire F T 15 X 6 0 - 6 Service
4	59904	Tube Front (Service Item Only)
5	106732X624	Rim Asm 6"front Service
6	278H	Fitting Grease (Front Wheel Only)
7	9040H	Bearing Flange (Front Wheel Only)
8	184707X624	Rim Asm 12"rear Service
9	184708	Tire RT 22 x 9.5-12 Service
10	7154J	Tube Rear (Service Item Only)
11	104757X428	Cap Axle 1 50 X 1 00
--	144334	Sealant, Tire (10 oz. Tube)

NOTE: All component dimensions given in U.S. inches
1 inch = 25.4 mm

REPAIR PARTS

TRACTOR - MODEL NUMBER POGT20T48STA, PRODUCT NO. 954 56 96-77
MOWER LIFT



lift-rh.1piece_22

REPAIR PARTS

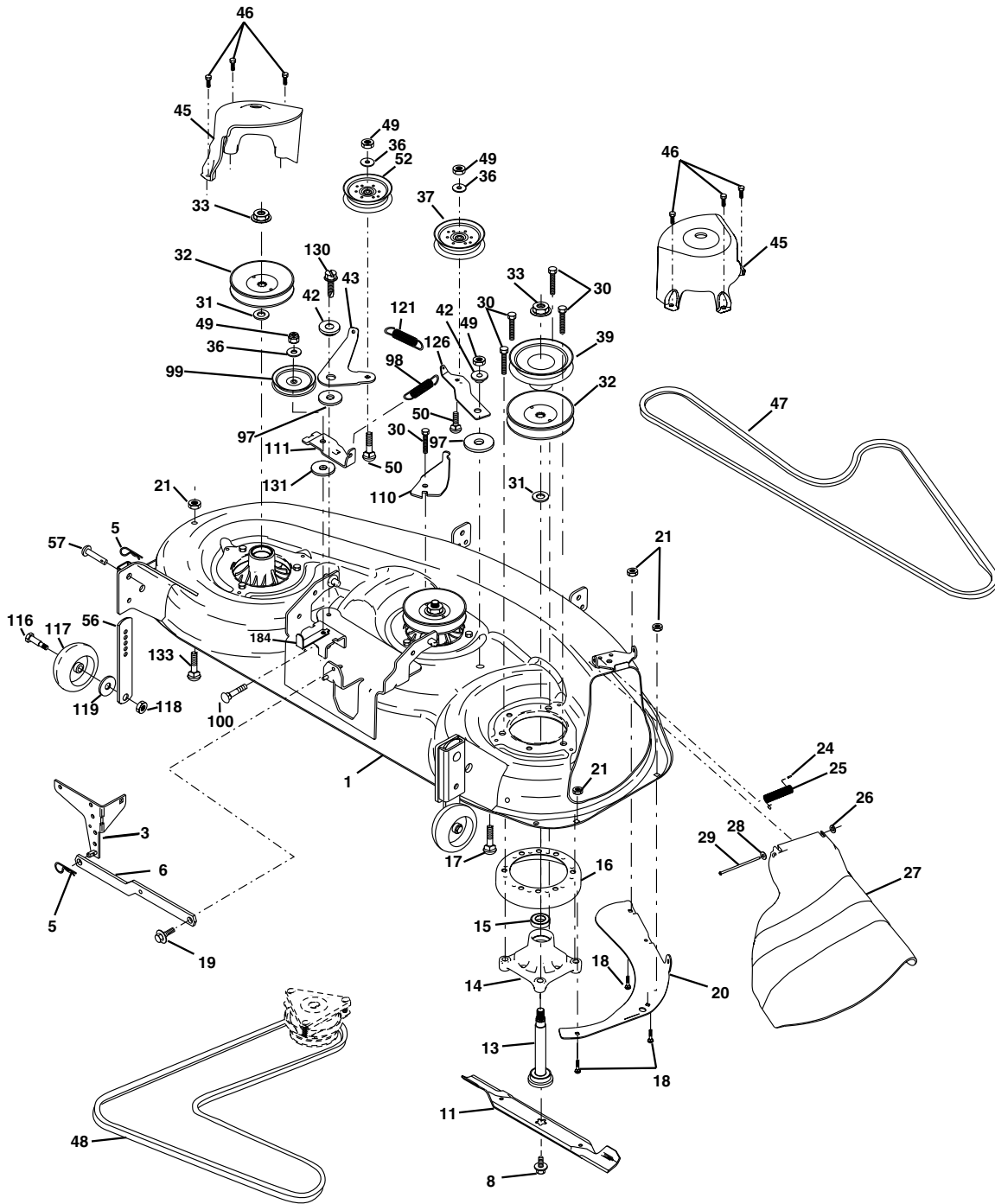
TRACTOR - MODEL NUMBER POGT20T48STA, PRODUCT NO. 954 56 96-77
MOWER LIFT

KEY NO.	PART NO.	DESCRIPTION
1	159461	Wire Asm Inner/Sprg W/plunger
2	159476	Shaft Asm Lift RH w/Inf
3	138284	Pin Groove
4	12000002	E Ring #5133-62
5	19211621	Washer 21/32 X 1 X 21 Ga
6	120183X	Bearing Nylon Blk 629 Id
7	109413X	Grip Handle
8	124526X	Button Plunger
11	185365	Link Lift LH
12	185367	Link Lift RH
13	4939M	Retainer Spring
15	185370	Plate Asm Suspension
16	73350800	Nut Hex Jam 1/2-13 unc
17	175689	Trunnion
18	73800800	Locknut Hex W/Washer Insert 1/2-13
20	163552	Retainer Spring
31	176205	Trunnion
32	178698	Nut Lift Link
39	176199	Upstop
42	73680600	Nut 3/8-16
43	19131612	Washer 13/32 x 1 x 12 Ga.
44	72240608	Bolt 3/8-16 x 1
49	145212	Nut Hex Flange Lock
51	19171416	Washer 17/32 x 7/8 x 13 Ga.
52	175378	Arm Suspension Rear LH
53	175802	Arm Suspension Rear RH
54	175560	Pin Flange

NOTE: All component dimensions given in U.S. inches
 1 inch = 25.4 mm

REPAIR PARTS

TRACTOR - MODEL NUMBER POGT20T48STA, PRODUCT NO. 954 56 96-77
MOWER DECK



REPAIR PARTS**TRACTOR - MODEL NUMBER POGT20T48STA, PRODUCT NO. 954 56 96-77
MOWER DECK**

KEY NO.	PART NO.	DESCRIPTION	KEY NO.	PART NO.	DESCRIPTION
1	180359	Deck Weldment Mower 48	45	180806	Cover, Mandrel Deck
3	138017	Bracket Asm., Sway Bar	46	137729	Screw, Thdroll. 1/4-20 x 5/8
5	4939M	Retainer Spring	47	180808	V-Belt, Mower, Secondary
6	178024	Bar Sway Deck	48	174368	V-Belt, Mower, Primary
8	174365	Bolt, 7/16 Asm. Blade (The following blades are available)	49	73680600	Nut, Crownlock 3/8-16 UNC
11	173921	Blade, 48 Mulching (For mulching mowers only)	50	72110612	Bolt, Carr. 3/8-16 x 1-1/2 Gr. 5
	180054	Blade Hi Lift (For Bagging and Discharging)	52	175820	Pulley Idler Flat 46 Pri. Drive
13	175147	Shaft Asm.	56	155986	Bar Pnt Adjusting Wheel Gauge
14	174358	Housing Mandrel 48"	57	156941	Pin Head Rivet
15	110485X	Bearing, Ball, Mandrel	74	73680600	Nut Crownlock 3/8-16
16	174493	Stripper, Mower	97	178515	Washer Hardened
17	72110610	Bolt Rdhd Sq Neck 3/8-16 x 1.25	98	179479	Spring Primary Drive
18	72140505	Bolt, Carriage 5/16-18 x 5/8	99	184058	Pulley Idler "V"
19	132827	Bolt, Hex Hd. Shoulder 5/16-18	100	72110616	Bolt RDHD Sqnk 3/8-16 Unc x 2
20	174378	Baffle, Vortex Mower	110	175016	Arm Spring Secondary
21	73680500	Nut, Crownlock 5/16-18 UNC	111	174610	Arm Spring Tension
24	105304X	Cap, Sleeve	116	184219	Bolt, Shoulder
25	178102	Spring, Torsion	117	133957	Gauge Wheel
26	110452X	Nut, Push	118	73930600	Nut, Centerlock 3/8-16 UNC
27	180655X428	Shield, Deflector Mower	119	19121414	Washer 3/8 x 7/8 x 14 Ga.
28	19111016	Washer 11/32 x 5/8 x 16 Ga.	121	174371	Spring Secondary Drive
29	131491	Rod, Hinge	126	174372	Arm, Idler, Primary Deck
30	173984	Screw, Thdroll, Washer Head	130	17000616	Screw 3/8-16 x 1
31	129963	Washer, Spacer Mower Vented	131	19131606	Washer 13/32 x 1 x 6 Ga.
32	177865	Pulley, Mandrel	133	72110506	Bolt 5/16-18 x 3/4
33	178342	Nut, Flg. Top Lock Cntr. 9/16	184	173979	Keeper Belt Idler
36	19131316	Washer 13/32 x 13/16 x 16 Ga.	191	74780612	Bolt Fin Hex 3/8-16unc x 3/4 Gr. 5
37	177968	Pulley, Idler, Flat	--	181704	Replacement Mower, Complete
39	174375	Pulley, Idler, Driven	--	174357	Mandrel Assembly Service (Includes Housing, Shaft, and Shaft Hardware Only - Pulley Not Included)
42	165723	Spacer, Retainer			
43	174373	Arm, Idler Secondary			

NOTE: All component dimensions given in U.S. inches
1 inch = 25.4 mm