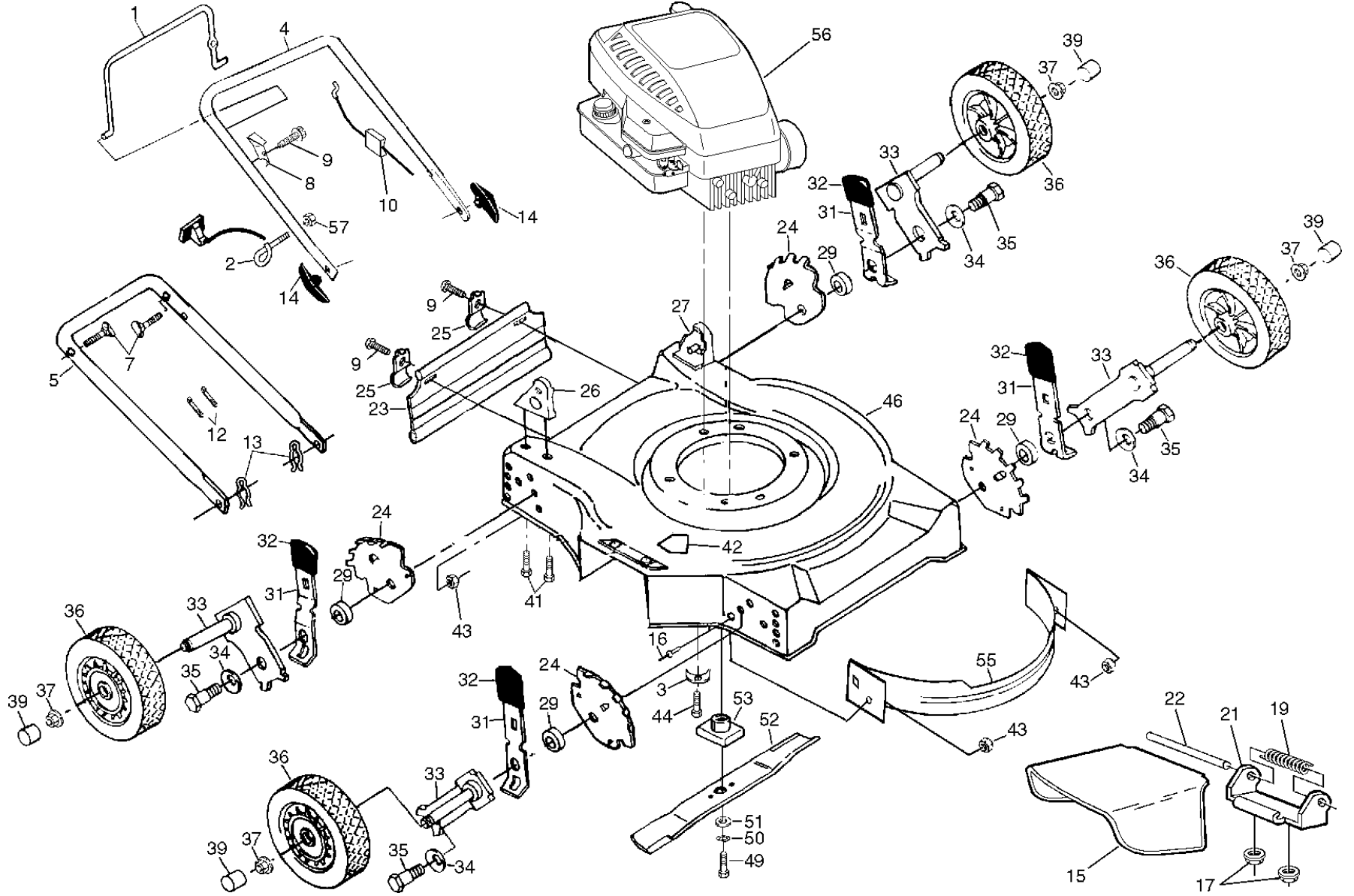


# ROTARY LAWN MOWER - - MODEL NUMBER PO4QN20SA



For Parts Call K&T 606-678-9623 or 606-561-4983

## ROTARY LAWN MOWER - - MODEL NUMBER PO4QN20SA

KEY NO.	PART NO.	DESCRIPTION	KEY NO.	PART NO.	DESCRIPTION
1	131696	Control Bar	34	62335	Belleville Washer
2	153638	Rope Guide	35	142748	Shoulder Bolt
3	851201X004	Engine Washer	36	700263	Wheel and Tire Assembly
4	166860X479	Upper Handle	37	83923	Nut
5	151590X479	Lower Handle	39	800090	Hubcap
7	131959	Handle Bolt 5/16-18 x 1-3/4	41	149741	Thread Cutting Screw 5/16-18 x 3/4
8	86899X004	Up-Stop Bracket	42	85463	Danger Decal
9	750097	Hex Washer Head Screw #10-24 x 1/2	43	751592	Locknut 3/8-16
10	156572	Engine Zone Control Cable	44	150406	Hex Head Thread Rolling Screw 3/8-16 x 1-1/8
12	66426	Wire Tie	46	180345	Lawn Mower Housing
13	51793	Hair Pin Cotter	49	851084	Hex Head Screw 3/8-24 x 1-3/8 (Grd.8)
14	136376	STD. Knobs	50	850263	Helical Lock washer 3/8
15	752052	Discharge Guard	51	851074	Hardened Washer
16	128415	Rivet	52	145106	Blade 20
17	63601	Locknut 1/4-20	53	850977	Blade Adapter
19	851855	Torsion Spring	55	700839X479	Front Baffle
21	88602	Hinge Deflector	56	---	Engine, Briggs & Stratton, Model Number 10A902 (Order parts from engine manufacturer)
22	150215	Hinge Rod			Nut
23	140543	Rear Deflector	57	132004	Nut
24	750085X007	Wheel Adjusting Bracket	--	161058	Warning Decal (Not Shown)
25	87584X004	Deflector Bracket	--	133379X479	Rear Baffle (Not Shown)
26	170345X479	Handle Bracket Assembly (Right)	--	180344	Replacement Parts Manual
27	170346X479	Handle Bracket Assembly (Left)	--	172782	Operator's Manual (English)
29	146630	Spacer	--	172784	Operator's Manual (Spanish)
31	700331X004	Selector Spring			
32	87877	Selector Knob			
33	145935X479	Axle Arm Assembly			

**NOTE:** All component dimensions given in U.S. inches.  
1 inch = 25.4 mm