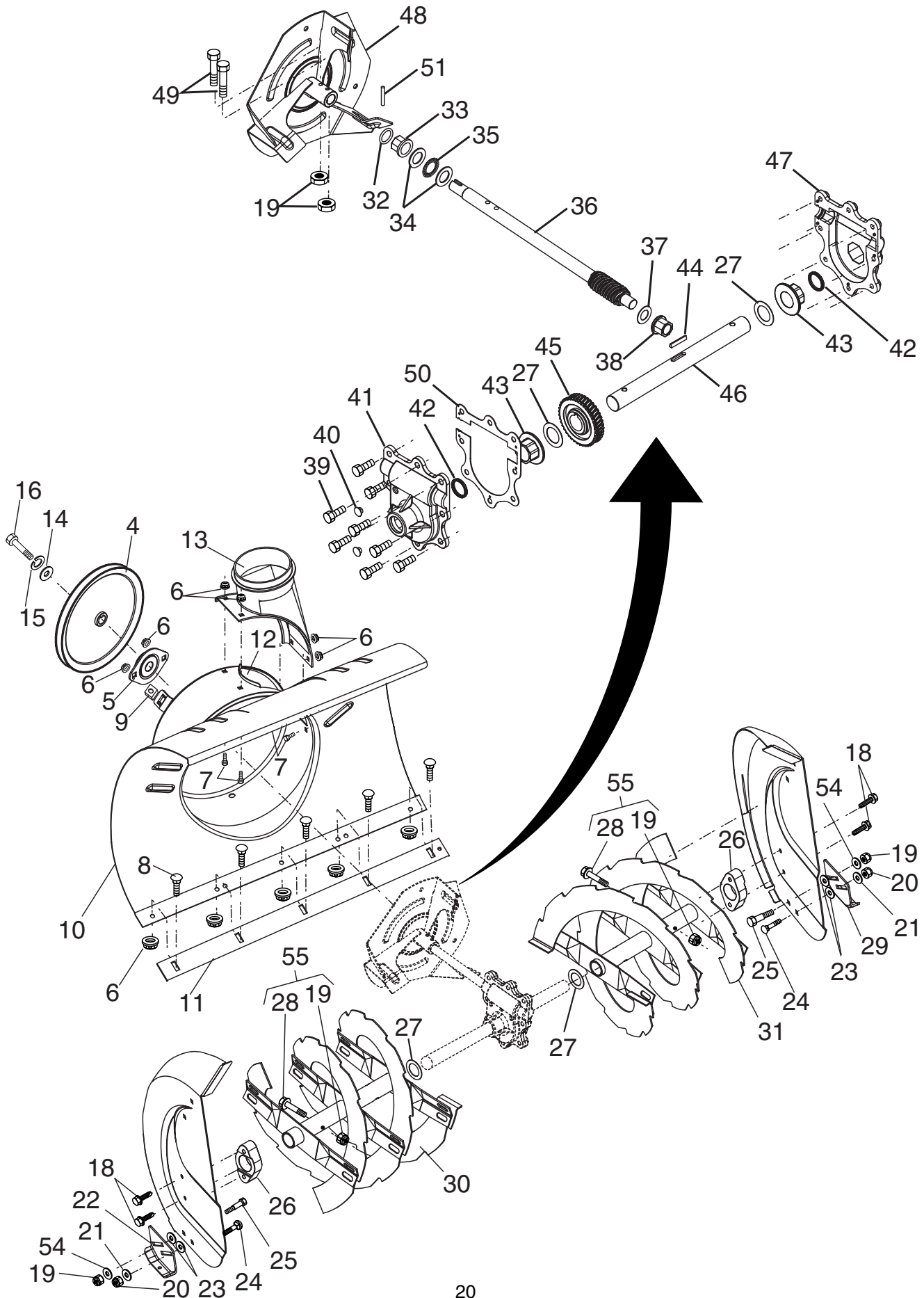


**REPAIR PARTS**

**SNOW THROWER - MODEL NUMBER PO10527ESA**

**AUGER HOUSING / IMPELLER ASSEMBLY**



## REPAIR PARTS                      SNOW THROWER - MODEL NUMBER PO10527ESA

### AUGER HOUSING / IMPELLER ASSEMBLY

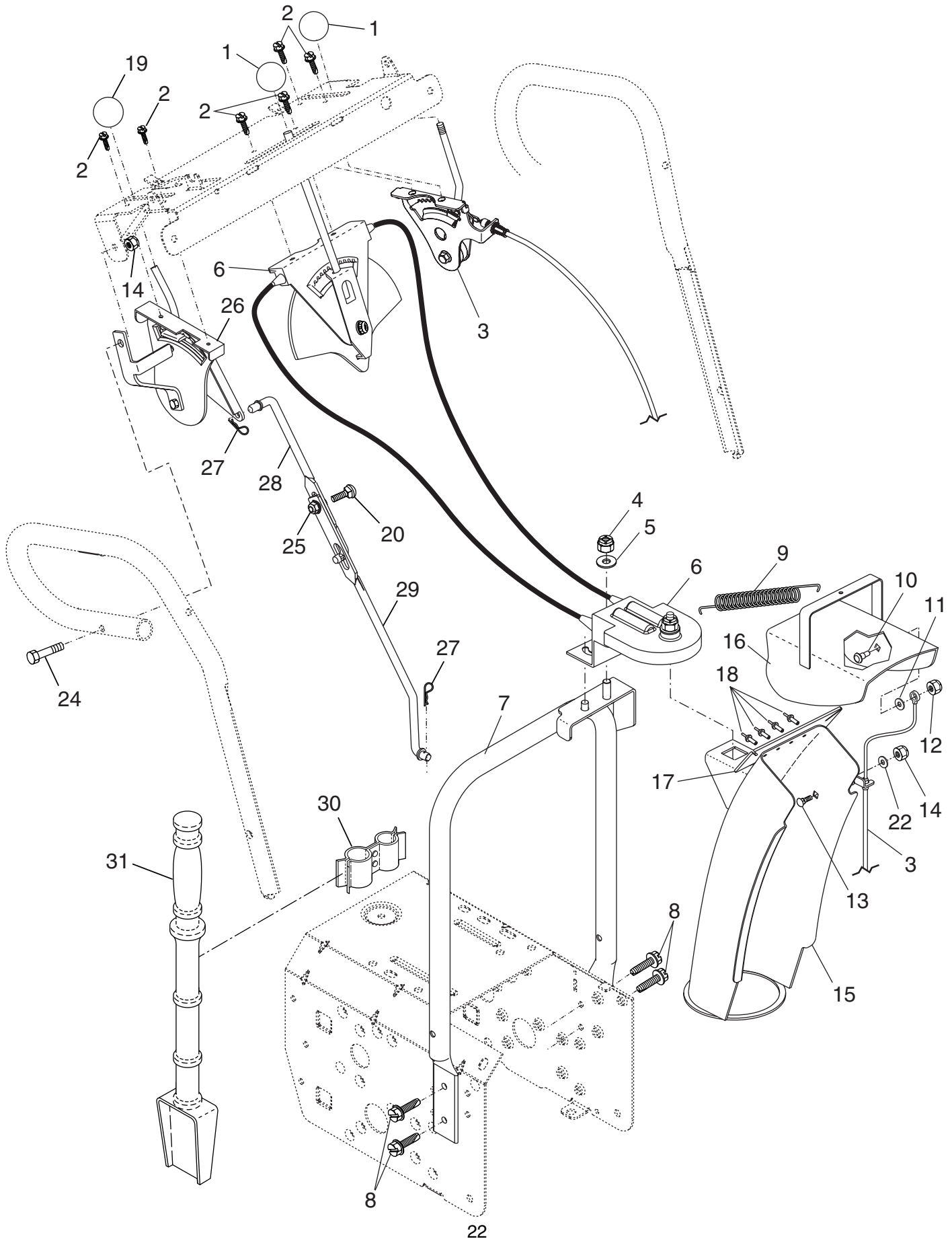
KEY NO.	PART NO.	DESCRIPTION
4	191079	Pulley, Impeller
5	188909	Bearing Assembly, Flange
6	155377	Nut, Hex Flange 5/16-18
7	180355	Bolt, Flat Head, Carriage 5/16-18 x 5/8
8	72270505	Bolt, Carriage 5/16-18 x 5/8
9	178820	Nut, Cage 3/8-16
10	178826X428	Housing, Auger
11	178690X479	Bar, Scraper
12	178675X008	Bracket, Corner Discharge
13	175322	Base, Discharge Chute
14	19111507	Washer, Flat
15	10040500	Washer, Lock 5/16
16	74950512	Screw, Hex Head 5/16-18 x 3/4
18	179582	Screw, Hex Head 5/16 x 1
19	73800400	Nut, Hex Lock 1/4-20
20	73800500	Nut, Hex Lock 5/16-18
21	155415	Washer, Flat 5/16
22	178777X479	Skid Plate, RH
23	179246	Washer, Nylon, Friction
24	72270506	Bolt, Carriage 5/16-18 x 3/4
25	185600	Bolt, Shoulder 1/4-20
26	174658	Bearing, Auger
27	174697	Washer, Thrust, 1"
28	192090	Bolt, Shear
29	174762X479	Skid Plate, LH
30	192118X479	Auger Assembly, RH
31	192117X479	Auger Assembly, LH
32	174699	O-Ring
33	174700	Bushing, Flange 3/4
34	174681	Washer, Thrust 3/4
35	174684	Bearing, Thrust 3/4
36	174660	Shaft, Impeller
37	174683	Washer, Thrust 5/8
38	174686	Bushing, Flange 5/8
39	150078	Screw, Hex Head 5/16-18 x 3/4
40	86447	Plug, Case
41	174688	Housing, Gearbox, RH
42	174698	Seal, Oil
43	174701	Bushing, Flange, 1"
44	189282	Key, Square 1/4 x 1/4 x 7/8
45	174659	Gear, Worm
46	174657	Shaft, Auger
47	174687	Housing, Gearbox, LH
48	175321X479	Impeller Assembly
49	74780426	Screw, Hex Head 1/4-20 x 1-5/8
50	175311	Gasket, Gearbox
51	7836M	Pin, Roll 3/16 x 1-1/8
54	53847	Washer, Flat 1/4
55	188243	Kit, Shear (Contains 6 each of Key Numbers 19 and 28)

**NOTE:** All component dimensions given in U.S. inches  
1 inch = 25.4 mm

**REPAIR PARTS**

**SNOW THROWER - MODEL NUMBER PO10527ESA**

**CONTROL PANEL / DISCHARGE CHUTE**



# REPAIR PARTS                      SNOW THROWER - MODEL NUMBER PO10527ESA

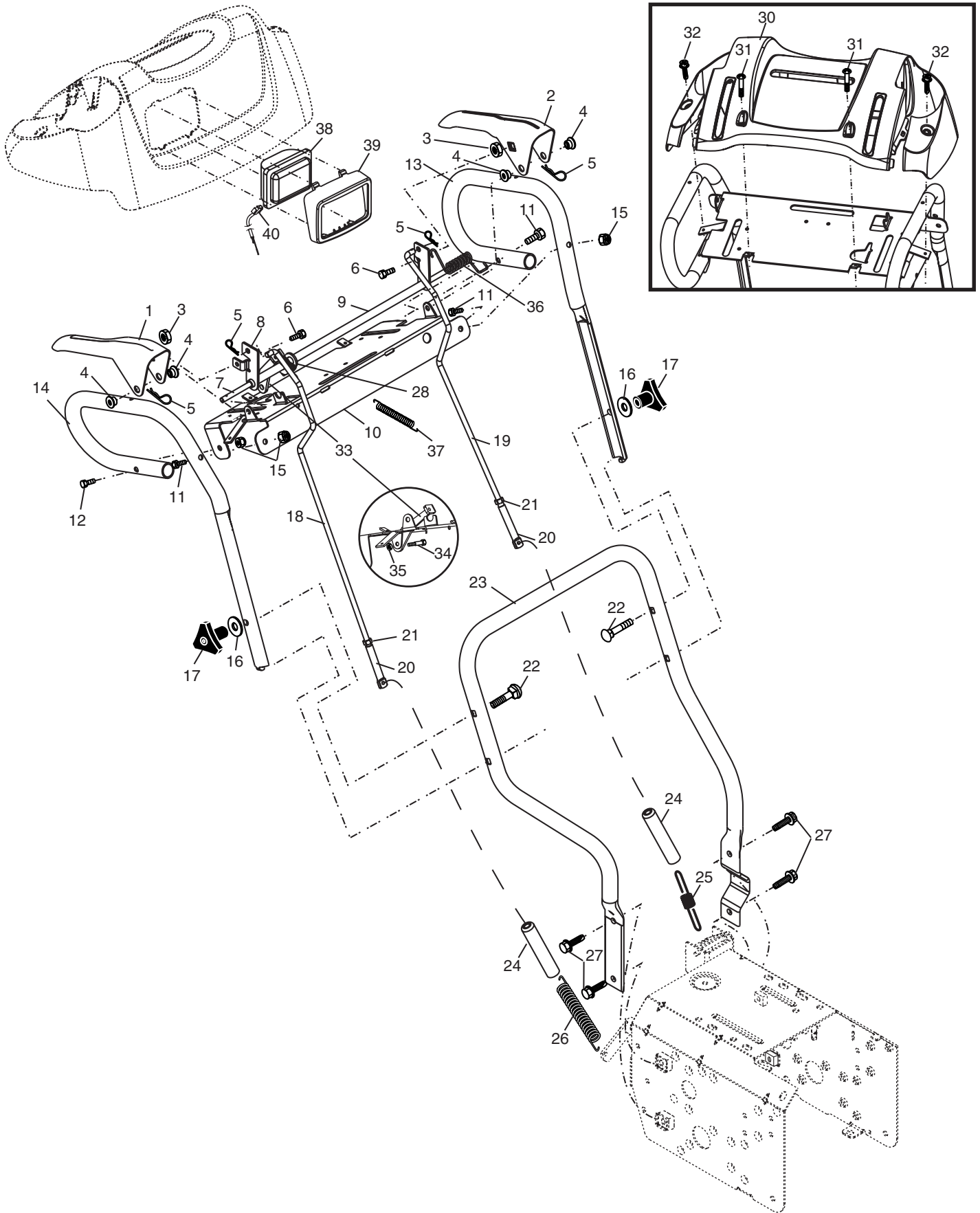
## CONTROL PANEL / DISCHARGE CHUTE

KEY NO.	PART NO.	DESCRIPTION
1	183334	Knob, Lever
2	17501010	Screw #10-24 x 5/8
3	178674	Control Assembly, Deflector
4	73800600	Nut, Lock 3/8-16
5	19131316	Washer, Flat 3/8
6	178659	Control Assembly, Chute Rotater
7	178638X479	Support, Pivot
8	150078	Screw, Hex Head 5/16-18 x 3/4
9	184505	Spring, Deflector
10	179829	Bolt, Shoulder
11	179246	Washer, Friction, Nylon
12	73800400	Nut, Lock 1/4-20
13	72250505	Bolt, Carriage 5/16-18
14	73800500	Nut, Lock 5/16-18
15	178628X428	Chute Assembly
16	178633X428	Deflector Assembly
17	179145	Seal, Deflector
18	128415	Rivet, Blind
19	183333	Knob, Speed Control Lever
20	72270506	Bolt, Carriage 5/16-18 x 3/4
22	155415	Washer, Flat
24	74780528	Screw, Hex Head 5/16-18 x 1-3/4
25	155377	Nut, Lock 5/16-18
26	179257	Lever Assembly, Speed Control
27	169675	Retainer, Hairpin
28	180445	Rod, Upper, Speed Control
29	187716	Rod, Lower, Speed Control
30	192710	Clamp, Clean-Out Tool
31	192199	Tool, Clean-Out

**NOTE:** All component dimensions given in U.S. inches  
1 inch = 25.4 mm

**REPAIR PARTS  
HANDLES**

**SNOW THROWER - MODEL NUMBER PO10527ESA**



**REPAIR PARTS  
HANDLES****SNOW THROWER - MODEL NUMBER PO10527ESA**

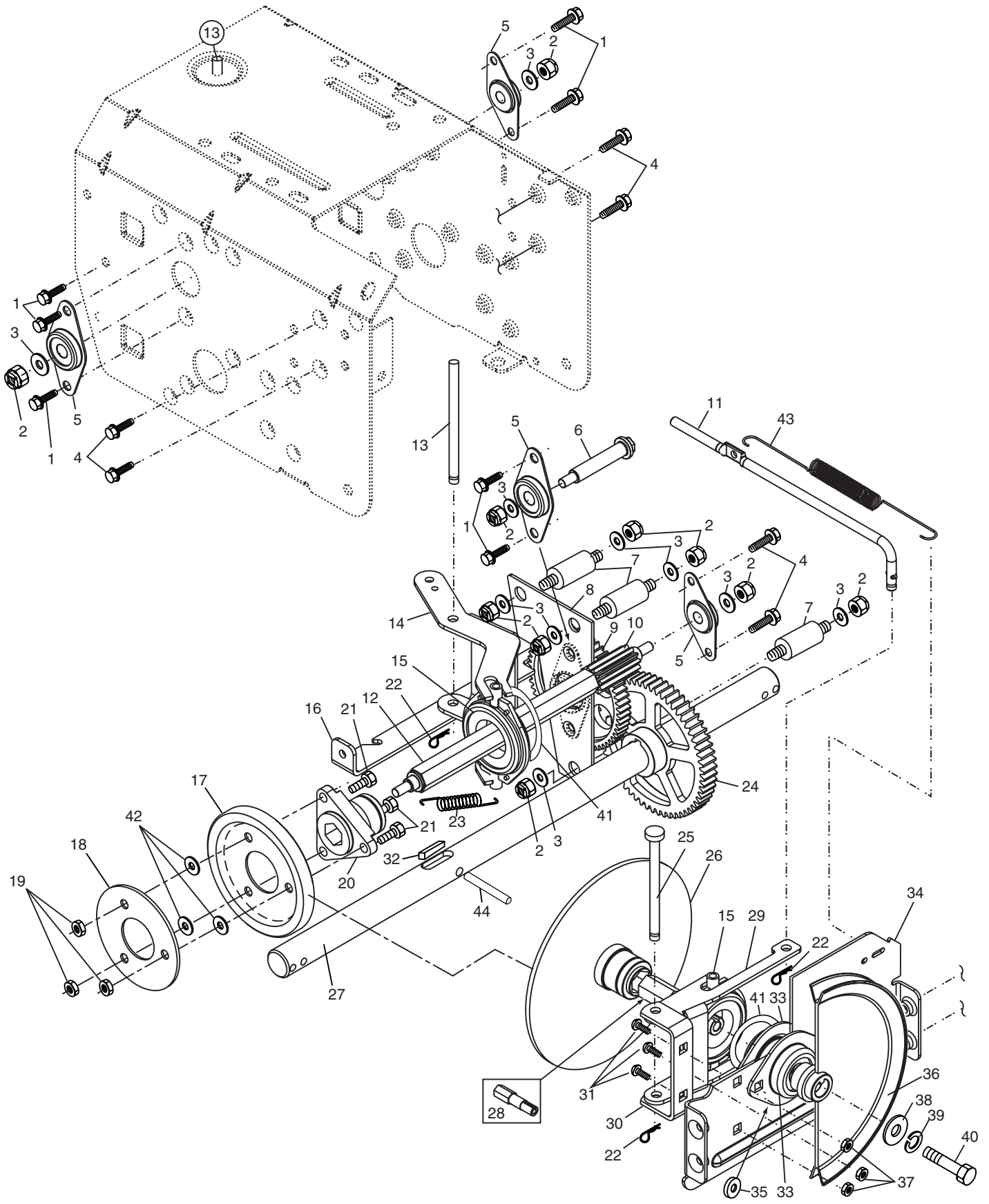
KEY NO.	PART NO.	DESCRIPTION
1	178875X479	Lever, Auger Control, RH
2	178648X479	Lever, Traction Drive Control, LH
3	179439	Nut, Cage 1/4-20
4	178888	Bushing, Flange
5	169675	Retainer, Hairpin
6	180402	Screw, Hex Head 1/4-20 x 3/4
7	178652	Rod, Interlock
8	184003	Tube Assembly, Interlock, RH
9	178651	Tube Assembly, Interlock, LH
10	178645X479	Panel, Control
11	74780524	Screw, Hex Head 5/16-18 x 1-1/2
12	74780528	Screw, Hex Head 5/16-18 x 1-3/4
13	178646X479	Handle Tube, LH
14	178696X479	Handle Tube, RH
15	73800500	Nut, Lock 5/16-18
16	19131316	Washer, Flat 3/8
17	178899	Knob, Handle
18	184594	Rod, Auger Control
19	193081	Rod, Traction Control
20	180428	End, Control Rod
21	73350500	Nut, Hex, Jam 5/16-18
22	72120618	Bolt, Carriage 3/8-16 x 2-1/4
23	178643X479	Handle Tube, Lower
24	180447	Sleeve, Spring
25	180926	Spring, Traction Drive
26	178669	Spring, Auger Control
27	71210616	Screw, Hex Head 3/8-16 x 1
28	180494	Clip, Panel
30	182906	Console, Panel
31	175262	Screw, Hex Head, Tapping #10-24 x 1-1/4
32	184471	Screw, Hex Head, Tapping #10-24 x 1/2
33	175339X008	Latch, Interlock
34	183518	Bolt, Shoulder
35	68038	Nut, Lock 1/4-20
36	178831	Spring, Torsion
37	178658	Spring, Interlock
38	180927	Headlight, Flood
39	178668	Bezel, Headlight
40	178770	Harness, Headlight (Flood)

**NOTE:** All component dimensions given in U.S. inches  
1 inch = 25.4 mm

**REPAIR PARTS**

**SNOW THROWER - MODEL NUMBER PO10527ESA**

**DRIVE**



**REPAIR PARTS  
DRIVE****SNOW THROWER - MODEL NUMBER PO10527ESA**

KEY NO.	PART NO.	DESCRIPTION
1	146315	Screw, Hex Head 5/16-18 x 5/8
2	73800500	Nut, Lock 5/16-18
3	155415	Washer, Flat
4	17490508	Screw, Hex Head 5/16-18 x 1/2
5	180017	Bearing, Flange
6	180134	Shaft, Auxiliary
7	179270	Spacer, Plate
8	192616X479	Plate, Auxiliary
9	180082	Gear, Intermediate (12/58)
10	180065	Gear, Pinion
11	188714	Rod, Clutch
12	180066	Shaft, Long, Hex
13	178807	Pin, Pivot
14	178619X479	Lever, Shifter / Wheel
15	175344	Trunnion Bearing Assembly
16	186951X479	Bracket, Pivot, Shift
17	179831	Ring, Rubber Wheel
18	193461X479	Plate, Rubber Wheel
19	73930500	Nut, Lock 5/16-18
20	178613	Hub, Rubber Wheel
21	74760514	Screw, Hex Head 5/16-18 x 7/8
22	85179	Retainer, Hairpin
23	180135	Spring, Bias
24	180081	Gear, Axle (58 Teeth)
25	178695	Pin, Pivot Lever
26	175341	Plate Assembly, Drive
27	179352	Shaft, Axle
28	175340	Shaft, Short Hex
29	175350X479	Lever, Shifter Plate
30	175349X479	Bracket, Shifter Support
31	72270505	Bolt, Carriage 5/16-18 x 5/8
32	178879	Key, Square 1/4 x 1/4 x 7/8
33	188909	Bearing, Flange
34	175338X479	Plate, Drive Mounting
35	182504	Spacer, Bearing
36	191080	Pulley, Traction Drive
37	155377	Nut, Lock 5/16-18
38	19111507	Washer, Flat
39	10040500	Washer, Lock 5/16
40	74950512	Screw, Hex Head 5/16-18 x 3/4
41	12000012	Ring, Retaining
42	155415	Washer .20 x 8.5 x 2.0
43	179095	Spring, Return
44	9465M	Pin, Roll

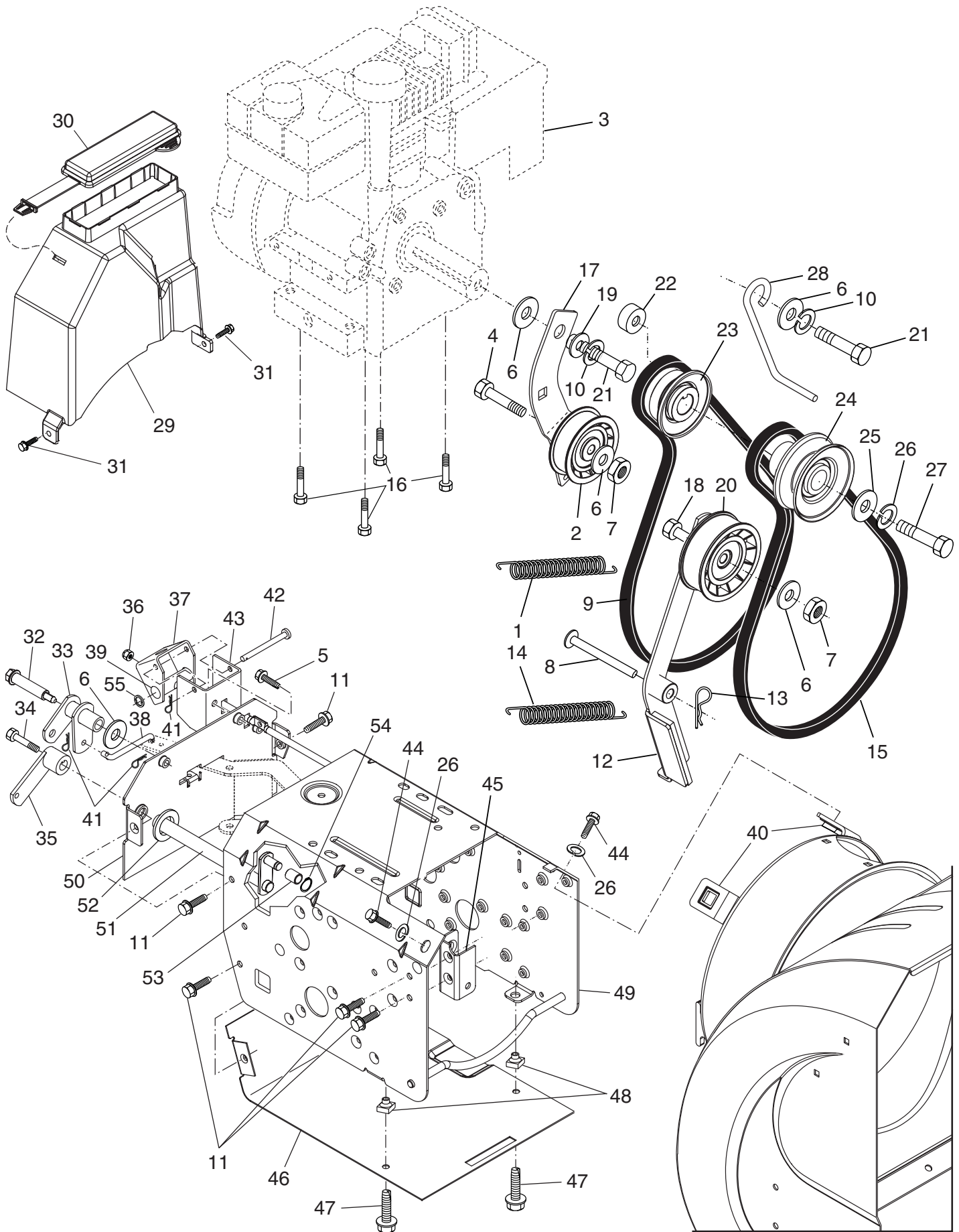
**NOTE:** All component dimensions given in U.S. inches  
1 inch = 25.4 mm



**REPAIR PARTS**

**SNOW THROWER - MODEL NUMBER PO10527ESA**

**CHASSIS / ENGINE / PULLEYS**



# REPAIR PARTS SNOW THROWER - MODEL NUMBER PO10527ESA

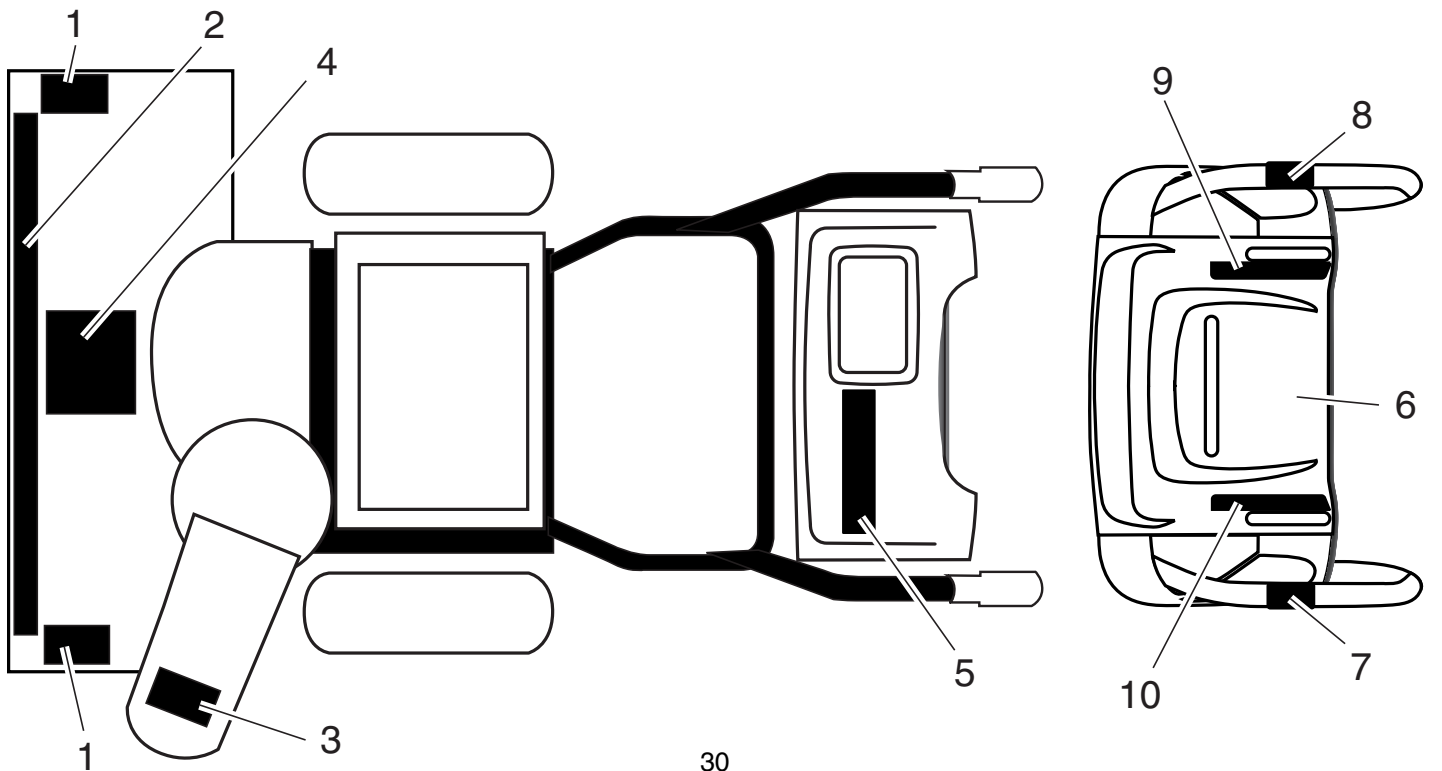
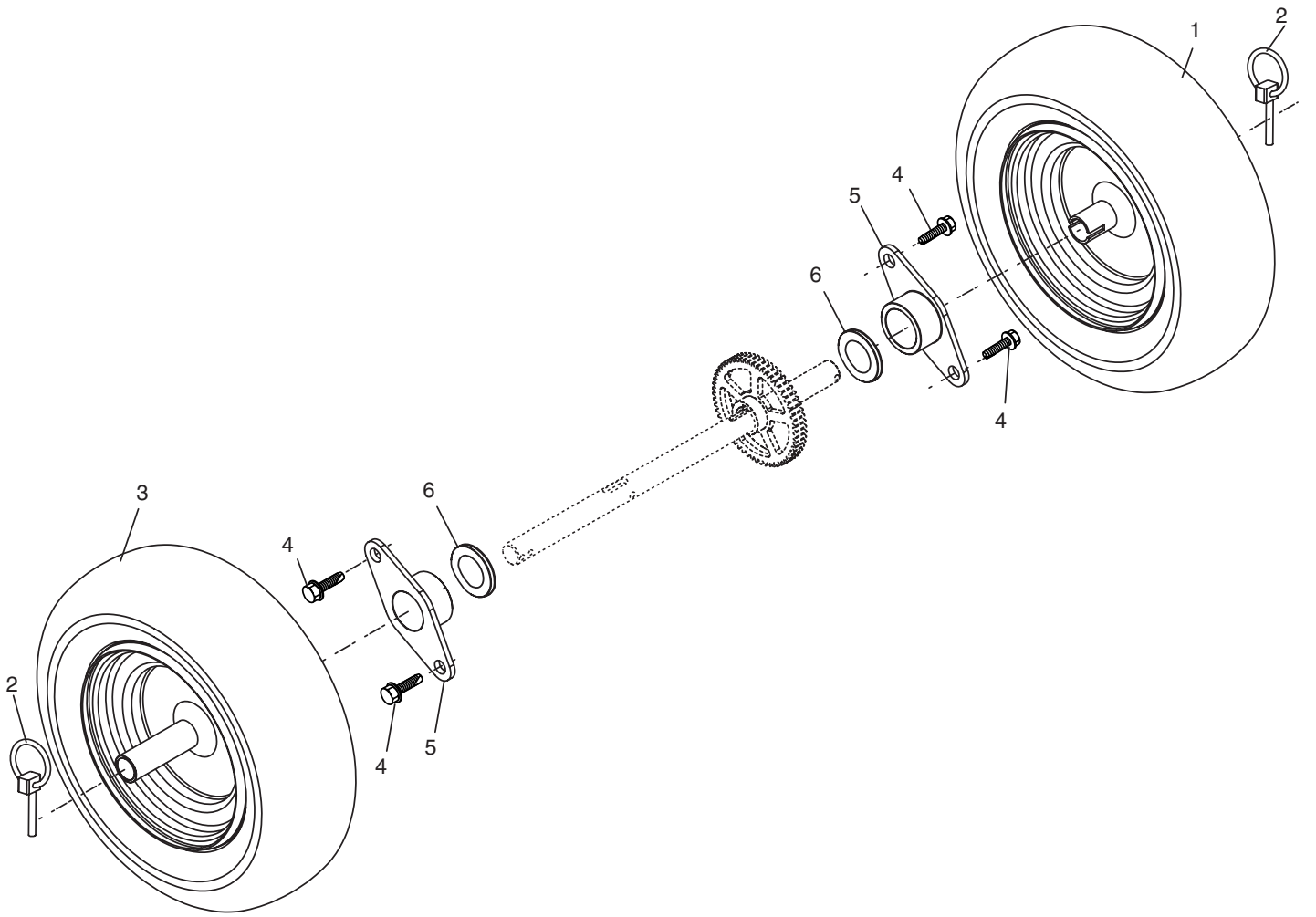
## CHASSIS / ENGINE / PULLEYS

KEY NO.	PART NO.	DESCRIPTION	KEY NO.	PART NO.	DESCRIPTION
1	181044	Spring, Traction Idler	29	192193	Cover, Belt
2	180522	Pulley, Idler (2-1/4)	30	178830	Cover, Toolbox
3	- - -	Engine, Tecumseh, Model Number LH358SA (Order parts from Engine manufacturer)	31	17490408	Screw, Hex Head 1/4-20 x 1/2
4	74780520	Screw, Hex Head 5/16-18 x 1-1/4	32	179256	Bolt, Shoulder 5/16-18
5	150078	Screw, Hex Washer Head 5/16-18 x 3/4	33	187853	Bellcrank Shifter
6	59289	Washer, Flat	34	180401	Screw, Hex Head 1/4-28 x 3/4
7	73930500	Nut, Jam, Lock 5/16-18	35	179240	Arm, Auger Control
8	175330	Pin, Idler Pivot	36	73800500	Nut, Lock 5/16-18
9	179092	V-Belt, Traction Drive	37	178833X479	Bellcrank Assembly
10	10040500	Washer, Lock 5/16	38	187101	Link, Speed Control
11	17490508	Screw, Hex Washer Head 5/16-18 x 1/2	39	192110	Trunnion, Clutch
12	179259	Impeller Idler Arm Assembly	40	178890	Nut, Cage 3/8-16
13	85179	Retainer, Hairpin	41	700279	Hairpin, Cotter 3/32 x 1/2
14	178828	Spring, Brake	42	179065	Pin, Bellcrank
15	183533	V-Belt, Impeller Drive	43	179063X479	Bracket, Bellcrank
16	192306	Screw, Hex Head 3/8-16 x 1-1/4	44	74780624	Screw, Hex Head 3/8-16 x 1-1/2
17	179354X008	Arm, Idler	45	175324X479	Pivot Bracket, Impeller Idler Arm
18	74780524	Screw, Hex Head 5/16-18 x 1-1/2	46	178624X479	Pan, Frame Bottom
19	175331	Bushing, Idler Pivot	47	71020512	Screw, Hex Head 5/16-18 x 3/4
20	180523	Pulley, Idler (2-3/4)	48	181156	Nut, Speed 5/16-18
21	74610516	Screw, Hex Head 5/16-24 x 1	49	183852X428	Frame Assembly
22	179371	Spacer, Engine Pulley	50	187715X428	Plate, Frame End
23	180478	Pulley, Engine, Traction Drive	51	192463X008	Shaft, Auger Control
24	179157	Pulley, Engine, Impeller Drive	52	57079	Washer, Hardened
25	62735	Washer, Flat 3/8	53	192275	Roller
26	850263	Washer, Lock, Helical	54	192147	Ring, Crescent
27	851084	Screw, Hex Head 3/8-24 x 1-3/8	55	12000002	E-Ring
28	155452	Guide, Belt	- -	183854	Power Cord (not shown)

**NOTE:** All component dimensions given in U.S. inches.  
1 inch = 25.4 mm

**REPAIR PARTS**  
**WHEELS / DECALS**

**SNOW THROWER - MODEL NUMBER PO10527ESA**



**REPAIR PARTS  
WHEELS / DECALS**

**SNOW THROWER - MODEL NUMBER PO10527ESA**

KEY NO.	PART NO.	DESCRIPTION
1	187833	Wheel Assembly, 16", LH
2	155443	Pin, Klik 1/4
3	187865	Wheel Assembly, 16", RH
4	146315	Screw, Hex Head 5/16-18 x 5/8
5	179830	Bearing, Axle
6	174697	Washer, Thrust (1")

**NOTE:** All component dimensions given in U.S. inches  
1 inch = 25.4 mm

KEY NO.	PART NO.	DESCRIPTION
1	181037	Decal, Danger
2	183262	Decal, Poulan, 10.5 HP / 27" (large)
3	181035	Decal, Danger, Deflector
4	181042	Decal, Danger
5	183879	Decal, Poulan, 10.5 HP / 27" (small)
6	181033	Decal, Instruction
7	155798	Decal, Traction Lever
8	155800	Decal, Auger Lever
9	181039	Decal, Speed Control
10	183730	Decal, Remote Deflector
--	193448	Owner's Manual, English
--	193449	Owner's Manual, French

**NOTE:** All component dimensions given in U.S. inches  
1 inch = 25.4 mm