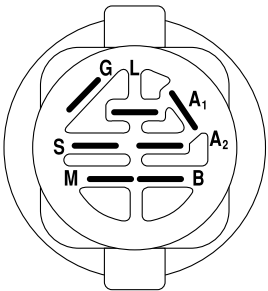
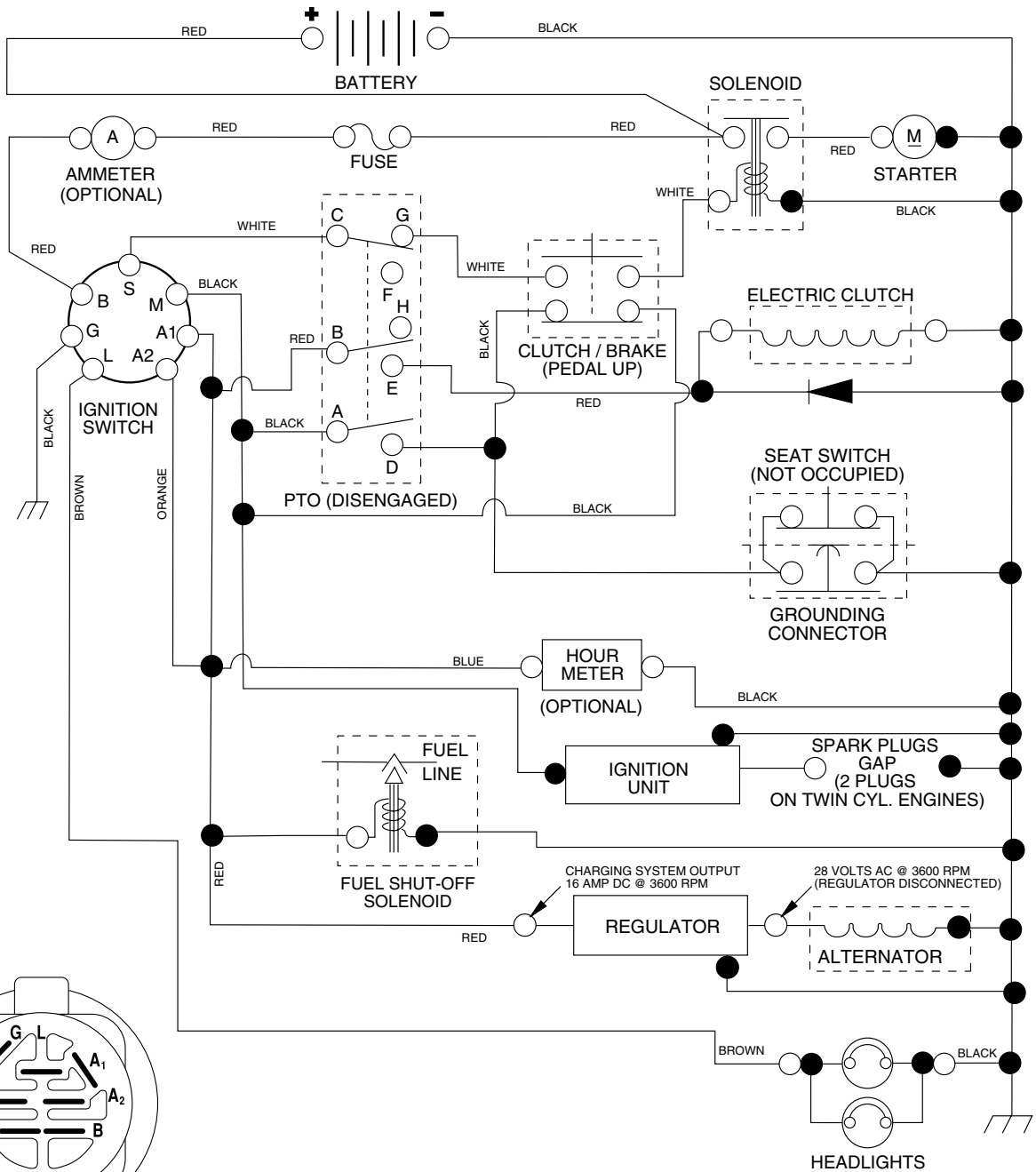


TRACTOR - MODEL NUMBER PDGT26H54A

SCHEMATIC



IGNITION SWITCH

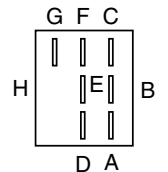
POSITION	CIRCUIT	"MAKE"
OFF	M + G + A1	NONE
ON + LIGHTS	B + A1	L + A2
ON	B + A1	NONE
START	B + S + A1	NONE

WIRING INSULATED CLIPS
NOTE: IF WIRING INSULATED CLIPS WERE REMOVED FOR SERVICING OF UNIT, THEY SHOULD BE REPLACED TO PROPERLY SECURE YOUR WIRING.

02743

PTO SWITCH

POSITION	CIRCUIT
OFF	C + G, B + H
ON	C + F, B + E, A + D



PTO SWITCH CONNECTOR

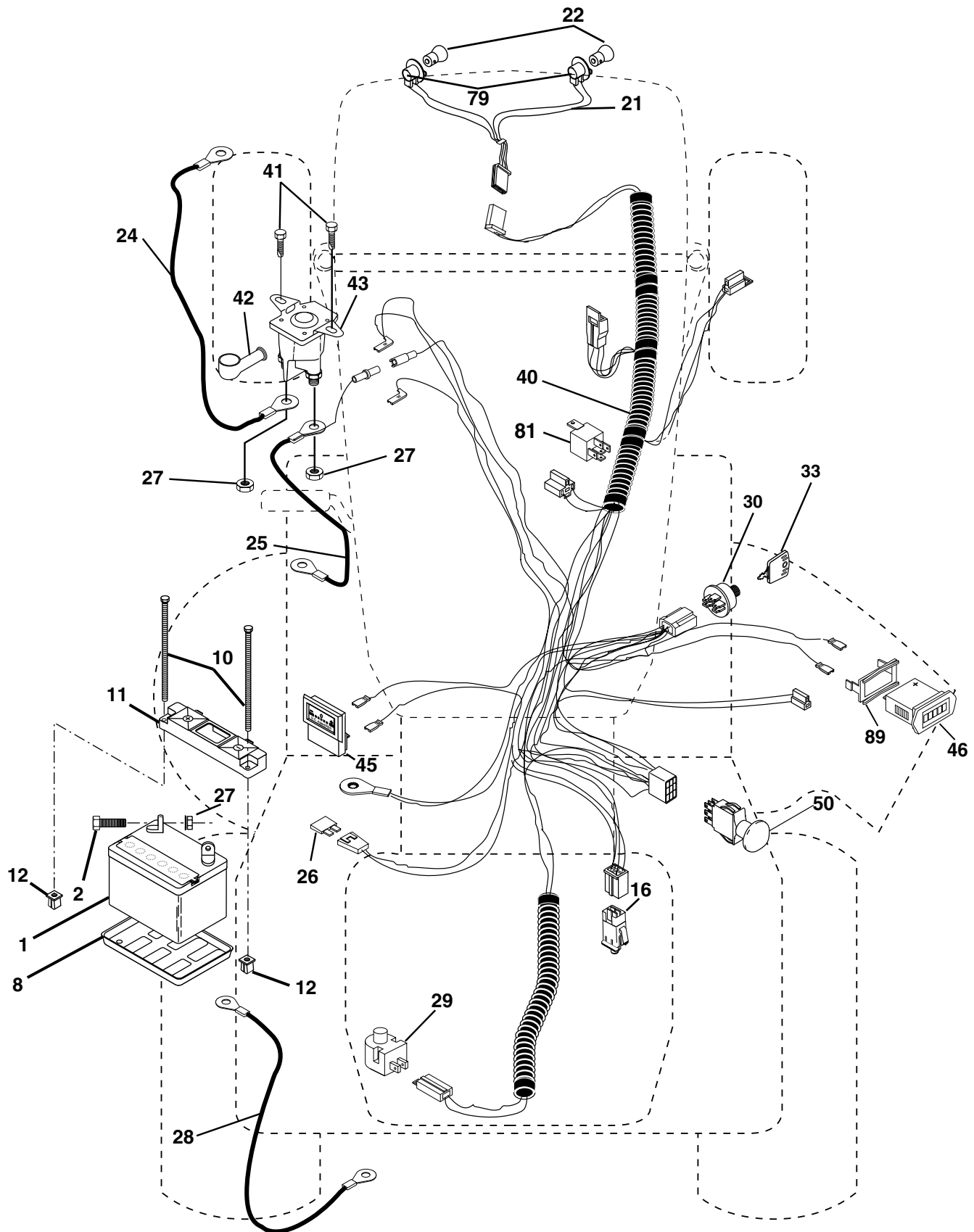
○
REMOVABLE CONNECTIONS

●
NON-REMOVABLE CONNECTIONS

REPAIR PARTS

TRACTOR - MODEL NUMBER PDGT26H54A

ELECTRICAL



REPAIR PARTS**TRACTOR - MODEL NUMBER PDGT26H54A****ELECTRICAL**

KEY NO.	PART NO.	DESCRIPTION
1	144927	Battery
2	74760412	Bolt Hex Head 1/4-20 x 3/4
8	7603J	Tray, Battery
10	145211	Bolt Btr Frt 1/4-20 x 7.5 zinc
11	150109	Holdown Battery Front Mount
12	145769	Nut Push Nylon 1/4"
16	176138	Switch Interlock Push-In
21	175688	Harness Headlight w/Bulbs
22	4152J	Bulb Light
24	185464	Cable, Battery
25	146149	Cable, Battery
26	108824X	Fuse
27	73510400	Nut Keps Hex 1/4-20 unc
28	170697	Cable, Ground
29	121305X	Switch, Plunger
30	175566	Switch, Ign
33	140401	Key
40	188032	Harness, Ignition
41	17720408	Screw 1/4-20 x 1/2
42	131563	Cover, Terminal Red
43	178861	Solenoid
45	122822X	Ammeter
46	169635	Hourmeter Snap-In
50	174653	Switch, PTO
79	175242	Socket, Light Bulb
81	109748X	Relay Asm.
89	169639	Bracket Snap-In

NOTE: All component dimensions given in U.S.
inches 1 inch = 25.4 mm

REPAIR PARTS**TRACTOR - MODEL NUMBER PDGT26H54A****CHASSIS AND ENCLOSURES**

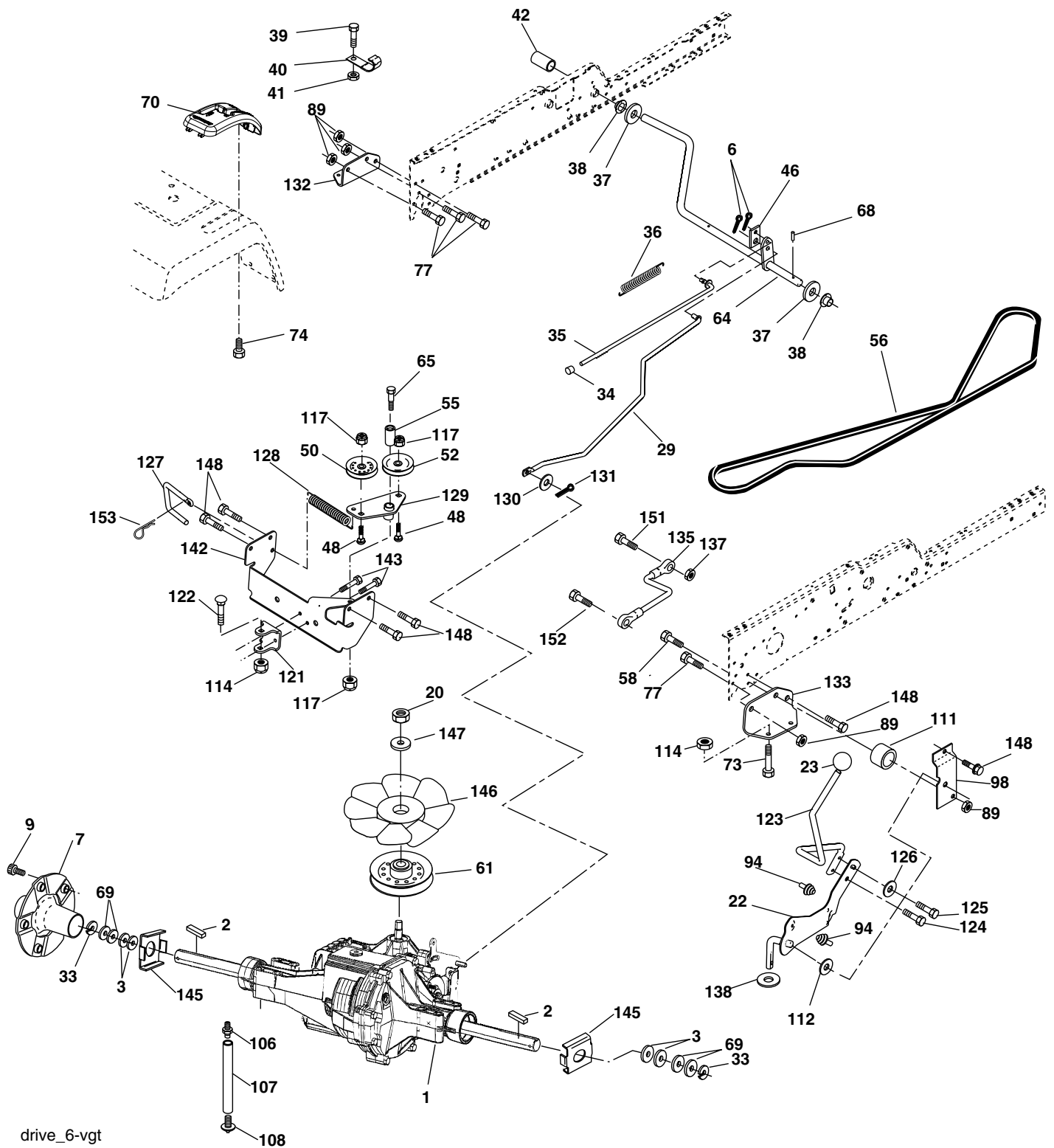
KEY NO.	PART NO.	DESCRIPTION	KEY NO.	PART NO.	DESCRIPTION
1	180375	Rail, Frame RH	84	188164	Upstop
2	175282	Drawbar, Gt	86	74780716	Bolt, Fin Hex 7/16-14 unc x 1
5	187934X428	Dash	91	180374	Rail, Frame Lh
6	157882	Dash Asm., Lower	99	177143	Rod By Pass
7	17720408	Screw, Thd Cut 1/4-20 x 1/2	122	161464	Screw Hex Wshd 8-18 x 7/8
8	184668	Support, Battery	130	171875	Screw HWHD Hi-Lo #13-16 x 3/4
14	175260X428	Hood Asm., Pnt	138	179125X428	Cupholder YTGT
16	121794X	Cover, Access	139	171873	Bolt Shoulder 5/16-18 TT
17	17060612	Screw, 3/8-16 x 3/4	142	161897	Bracket Dash RH
18	175289X428	Grille	143	169847X428	Skirt Grill RH
19	19131312	Washer 13/32 x 13/16 x 12 Ga.	144	161900	Bracket Dash LH
20	74780616	Bolt, Fin Hex 3/8-16 x 1	146	169848X428	Skirt Grill LH
21	73800600	Nut, Lock Hex w/Ins. 3/8-16 unc	148	164655	Extrusion Bumper
24	179717X428	Footrest, RH	150	175352	Duct Heat Hood
28	179716X428	Footrest, LH	152	177956	Shield Browning
30	145052	Saddle, Hydro 1995	153	179761	Light Box Asm. w/Lens
31	161419	Bracket, Supt 1-pc VGT Steering	156	17000512	Screw 5/16-18 x 3/4
32	161327	Bracket, Pivot Chassis LH	157	161840	Lens, Bar
33	161326	Bracket, Pivot Chassis RH	158	17670608	Screw Thdrol 3/8-16 x 1/2
34	177018	Plate Asm. Engine Chassis	159	17000612	Screw 3/8-16 x 3/4
35	19111116	Washer 11/32 x 11/16 x 16 Ga.	161	179612X428	Console Fuel Window
36	17060512	Screw 5/16-18 x 3/4	162	142432	Screw 1/4-1/2
37	178510X428	Fender, Pnt.	165	183554	Bracket Support Tank
39	175278	Bracket, Axle Front	166	73680700	Nut, Crownlock 7/16-14 unc
43	136939	Bracket, Spnsn Front Lh	167	184672	Bushing
44	136940	Bracket, Spnsn Front Rh	169	188598	Bracket Chassis Sway
45	187270	Bracket Arm Susp.			
47	17490608	Screw Thdrol 3/8-16 x 1/2 TYT			
50	175476	Bracket, Chassis Front			
58	183569	Bracket Asm., Fender			
68	17490508	Screw, Thd 5/16-18 x 1/2			

NOTE: All component dimensions given in U.S. inches
1 inch = 25.4 mm

REPAIR PARTS

TRACTOR - MODEL NUMBER PDGT26H54A

GROUND DRIVE



drive_6-vgt

REPAIR PARTS**TRACTOR - MODEL NUMBER PDGT26H54A****GROUND DRIVE**

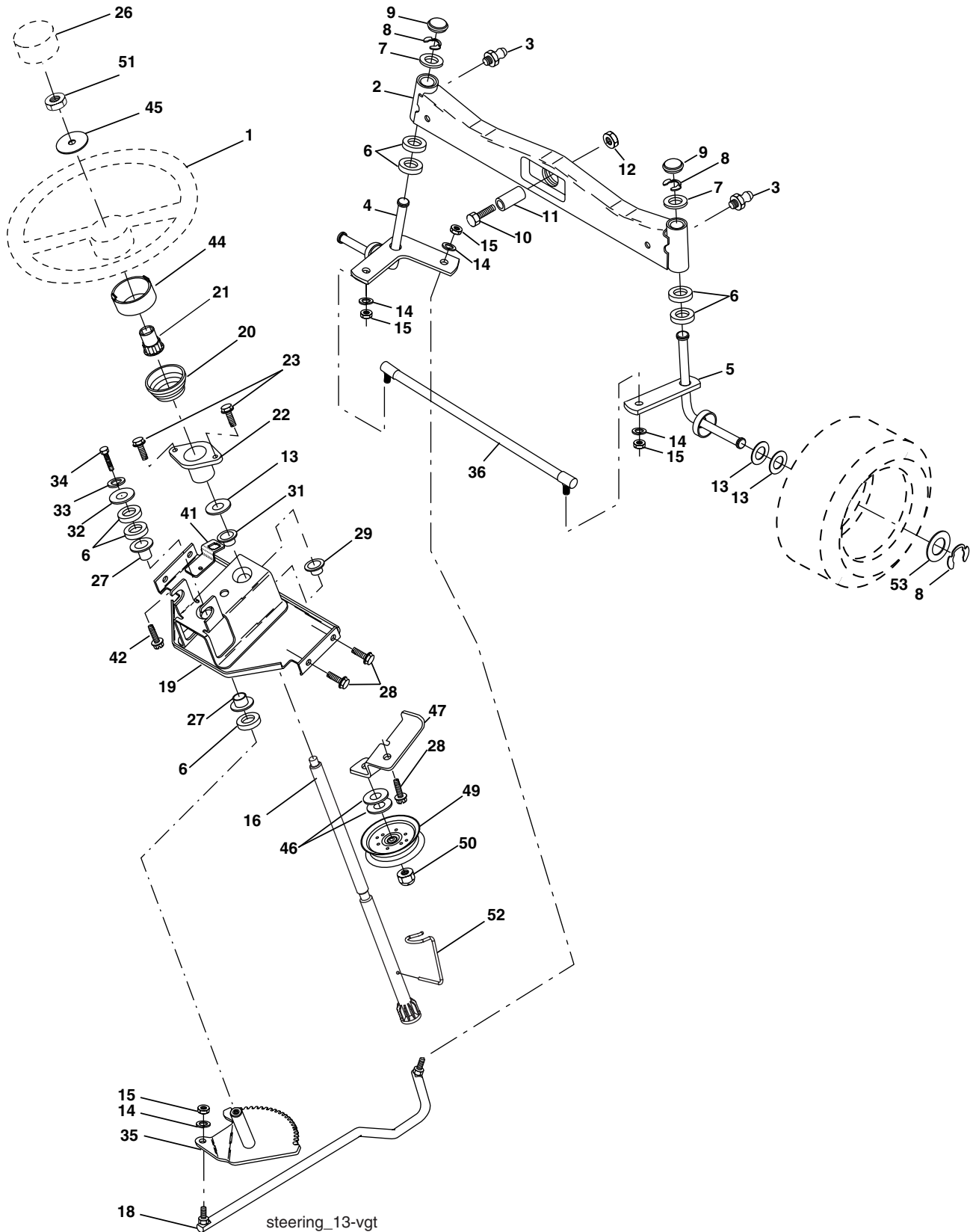
KEY NO.	PART NO.	DESCRIPTION	KEY NO.	PART NO.	DESCRIPTION
1	-----	Transaxle Hydro Gear 331-3000 (Order Parts From Trans- axle Manufacturer)	77	74780716	Bolt Fin Hex 7/16-14 x 1
2	7070E	Key Sq. 1/4 x 2.5	89	73680700	Nut Crownlock 7/16-14 unc
3	7563R	Washer Thrust	94	133835	Fastener Christmas Tree
6	76020412	Pin, Cotter	98	141004	Bracket Shift
7	140507	Wheel, Hub Assembly	106	142917	Cap Asm Vent Hydro Gear
9	140080	Bolt, Hub	107	154739	Line Fuel Hydro 15" VGT
20	73940800	Nut	108	142918	O-Ring Asm Hydro Gear
22	180235	Lever Asm Shift	111	156240	Spacer Shift Lever VGTH
23	140845	Knob	112	178558	Washer Nylon High Temp
29	176600	Brake, Rod	114	73800500	Nut Lock Hex W/Ins 5/16-18 unc
33	12000053	Ring E	117	73900600	Nut, Lock Flg. 3/8-16
34	71673	Cap, Parking Brake	121	175611	Bracket Strap Torque
35	137648	Rod, Parking Brake	122	72010520	Bolt 5/16-18 x 2.50
36	149412	Spring, Drive Ground	123	183254	Rod Shift
37	121749X	Washer 25/32 x 1-1/4 x 16 Ga.	124	165492	Bolt Shoulder 5/16-18 x .561
38	150035	Nyliner	125	17490510	Screw 5/16-18 x 5/8
39	74321016	Screw, Fin. #10-24 x 1	126	166002	Washer Srrtd 5/16 ID x 1.0 x .125
40	178575	Actuator, Interlock Switch	127	177362	Link Control Clutch
41	73931000	Nut Centerlock 10-24 unc	128	176624	Spring Drive GRND
42	123533X	Cover, Pedal	129	179473	Bracket Asm Idler Tensioning
46	145170	Retainer, Spring	130	19131016	Washer 13/32 x 5/8 x 16 Ga.
48	72110614	Bolt Carr. Shoulder 3/8-16 x 1-3/4 Gr. 5	131	76020312	Pin Cotter 3/32 x 3/4
50	131494	Pulley, Idler, Flat	132	175467	Bracket Mtg Hydro 3500 LH VGT
52	127783	Pulley, Idler, Grooved	133	175468	Bracket Mtg Hydro 3500 RH VGT
55	105706X	Bearing, Idler	135	177364	Link Asm Control Hydro 3500
56	161597	V-Belt	137	1685H	Nut Lock 5/16-18 NC Thd.
58	74760724	Bolt Fin Hex 7/16-14 x 1-1/2	138	1370H	Washer Thrust 5/8 x 1.10 x 1/32
61	143995	Pulley, Transaxle	142	175469	Strap Torque HG-3500
64	176601	Shaft, Brake Pedal	143	17000512	Screw 5/16-18 x 3/4
65	179613	Bolt, Shoulder	145	163168	Washer Axle Flange HG-3000
68	5142H	Pin, Roll	146	140462	Fan 7" Hydro
69	123800X	Washer	147	141322	Washer
70	179121X428	Console Shift	148	17000612	Screw 3/8-16 x .75
73	74490548	Bolt Hex Flghd 5/16-18 x 3 Gr. 5	151	74760514	Bolt Fin Hex 5/16-18 x 7/8
74	142432	Screw Hex Wsh. Hi-Lo 1/4-1/2	152	178705	Bolt Hex 5/16-18 x 1
			153	4497H	Spring Retainer

NOTE: All component dimensions given in U.S. inches
1 inch = 25.4 mm

REPAIR PARTS

TRACTOR - MODEL NUMBER PDGT26H54A

STEERING ASSEMBLY



REPAIR PARTS**TRACTOR - MODEL NUMBER PDGT26H54A****STEERING ASSEMBLY**

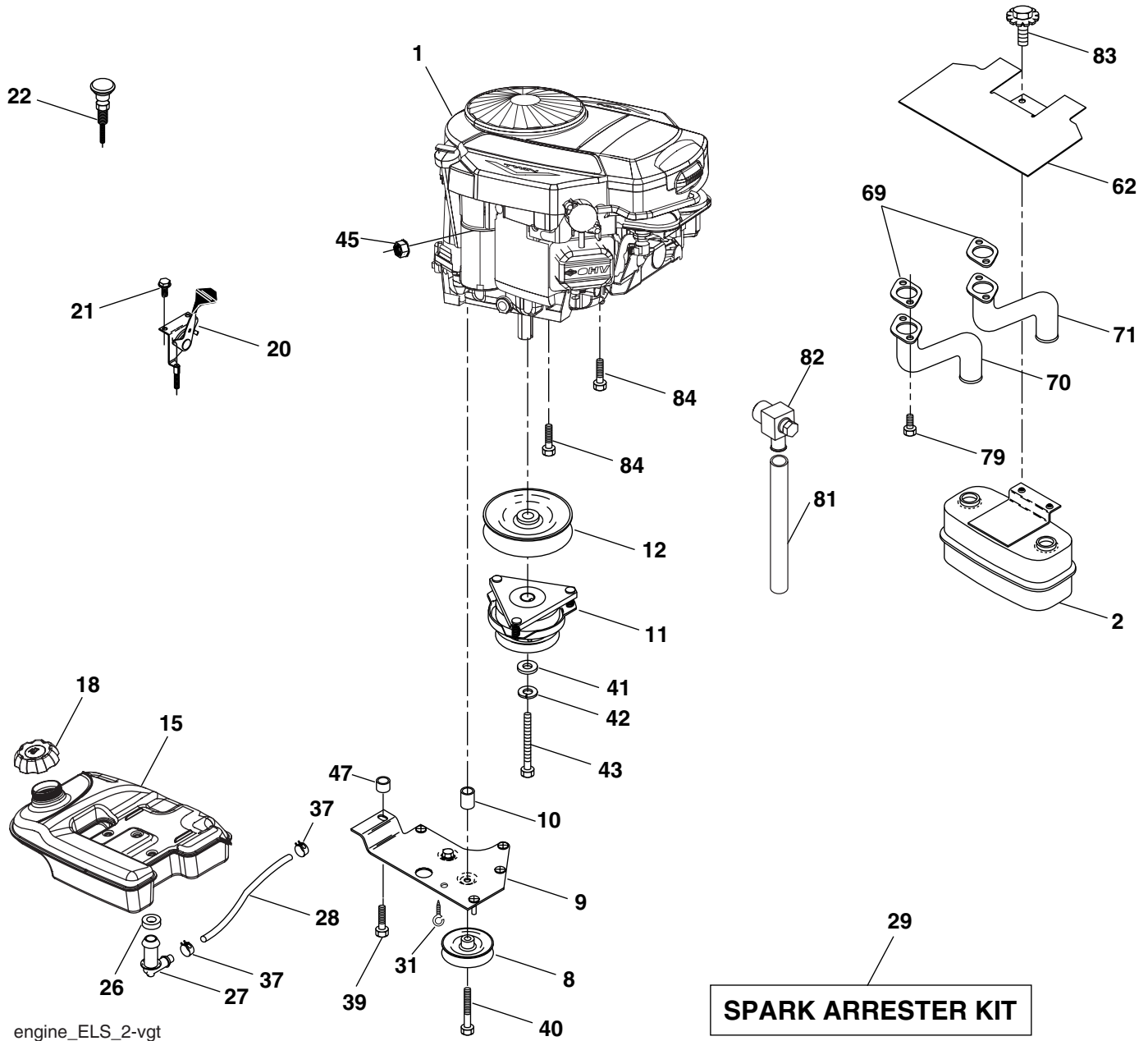
KEY NO.	PART NO.	DESCRIPTION
1	184704X428	Wheel, Steering
2	178557	Axle Asm., Front
3	183226	Fitting, Grease
4	161849	Spindle Asm, LH
5	161848	Spindle Asm., RH
6	6266H	Bearing, Race Thrust Harden
7	121748X	Washer 25/32 x 1-5/8 x 16 Ga.
8	12000029	Ring, Klip #T5304-75
9	121232X	Cap, Spindle
10	74781044	Bolt, Fin Hex 5/8-11 x 2-3/4
11	136518	Spacer, Brg. Axle Front
12	73901000	Nut, Lock Flange 5/8-11 unc
13	121749X	Washer 25/32 x 1-1/4 x 16 Ga.
14	10040600	Washer, Lock Hvy Hlcl Spr 3/8
15	73540600	Nut Crownlock 3/8-24
16	186814	Shaft Asm., Steering
18	187799	Draglink
19	156011	Support Asm., Steering Vgt
20	163887X428	Boot Steering Stealth
21	159945	Adapter, Wheel Steering
22	155105	Bushing, Strg.
23	152927	Screw
26	159946X428	Insert Cap Strg WH
27	3366R	Bearing, Col. Strg.
28	17000612	Screw Hexwsh thdr 3/8-16 x 3/4
29	104239X	Bearing, Flange
31	138136	Bushing, Nyliner Snap
32	19111610	Washer 11/32 x 1 x 10 Ga.
33	10040500	Washer, Lock Hvy Hlcl Spr 5/16
34	74780512	Bolt, Hex Hd 5/16-18 x 3/4
35	187039	Gear, Sector Steering
36	186799	Tie Rod
41	155246	Bracket Switch Interlock Vgt 97
42	17490508	Screw Thdrol 5/16-18 x 1/2 Tyt
44	160135X428	Extension Steering
45	19182411	Washer 9/16 x 1-1/2 x 11 Ga.
46	19131610	Washer 13/32 x 1 x 10 Ga.
47	179471	Bracket Asm. Idler Stationary
49	175820	Pulley Idler Flat
50	73900600	Nut Lock Flg. 3/8-16 unc
51	73940800	Nut Hex Jam Toplock 1/2-20 unf
52	175553	Clip Steering
53	188967	Washer Hardened

NOTE: All component dimensions given in U.S. inches
1 inch = 25.4 mm

REPAIR PARTS

TRACTOR - MODEL NUMBER PDGT26H54A

ENGINE



engine_ELS_2-vgt

SPARK ARRESTER KIT

REPAIR PARTS

TRACTOR - MODEL NUMBER PDGT26H54A

ENGINE

KEY NO.	PART NO.	DESCRIPTION
1	-----	Engine Briggs, Model No. 446777 (Order parts from engine manuf.)
2	149723	Muffler Side
8	121361X	Pulley V-Idler
9	177748	Keeper Asm. Belt Engine VGT
10	175287	Bushing
11	179335	Clutch Electric
12	143996	Pulley Engine VGT Elect Clutch
15	179115	Tank Fuel Rear 5.0
18	179124X428	Cap Asm. Fuel
20	175437X428	Control Throttle
21	171875	Screw HwHd Hi-Lo #13-16 x 3/4
22	187767X428	Control Choke
26	3645J	Bushing
27	139277	Stem Tank Fuel
28	7834R	Fuel Line
29	137180	Spark Arrester Kit
31	145006	Clip
37	123487X	Clamp Hose
39	17490636	Screw TT 3/8-16 x 2-1/4 unc
40	17490664	Screw TT 3/8-16 x 4 unc
41	126197X	Washer 1-1/2 OD x 15/32 ID x .250
42	10040700	Washer Lock 7/16
43	179953	Bolt Hex 7/16-20 x 3.75 Gr. 5
45	73510400	Nut Keps Hex 1/4-20
47	175288	Spacer
62	146629	Shield Heat Muffler CV-Intek
69	165391	Gasket
70	176069	Tube Exhaust LH
71	176070	Tube Exhaust RH
79	183906	Screw Socket Head 5/16-18 x 1
81	188800	Tube Drain Oil
82	188799	Valve Oil Drain
83	171877	Bolt 5/16-18 Unc x 1-3/4 W/Sems
84	17060624	Screw Thdrol 3/8-16 x 1-1/2

NOTE: All component dimensions given in U.S. inches
1 inch = 25.4 mm

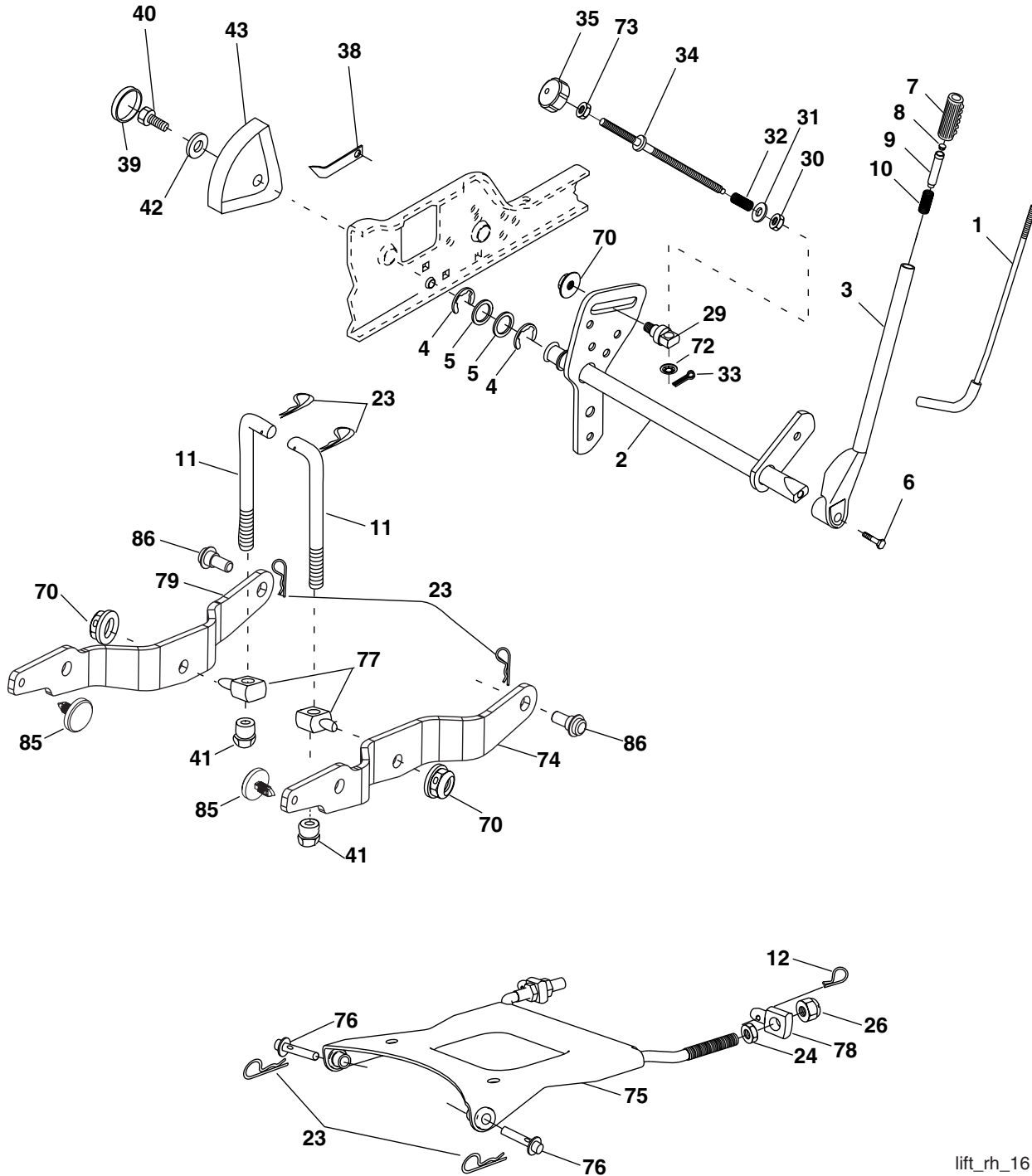
For engine service and replacement parts, call the toll free number for your engine manufacturer listed below:

Briggs & Stratton	1-800-233-3723
Kohler Co.	1-800-544-2444
Tecumseh Products	1-800-558-5402
Honda Engines	1-800-426-7701
Kawasaki	1-949-460-5688

REPAIR PARTS

TRACTOR - MODEL NUMBER PDGT26H54A

LIFT ASSEMBLY



lift_rh_16

REPAIR PARTS**TRACTOR - MODEL NUMBER PDGT26H54A****LIFT ASSEMBLY**

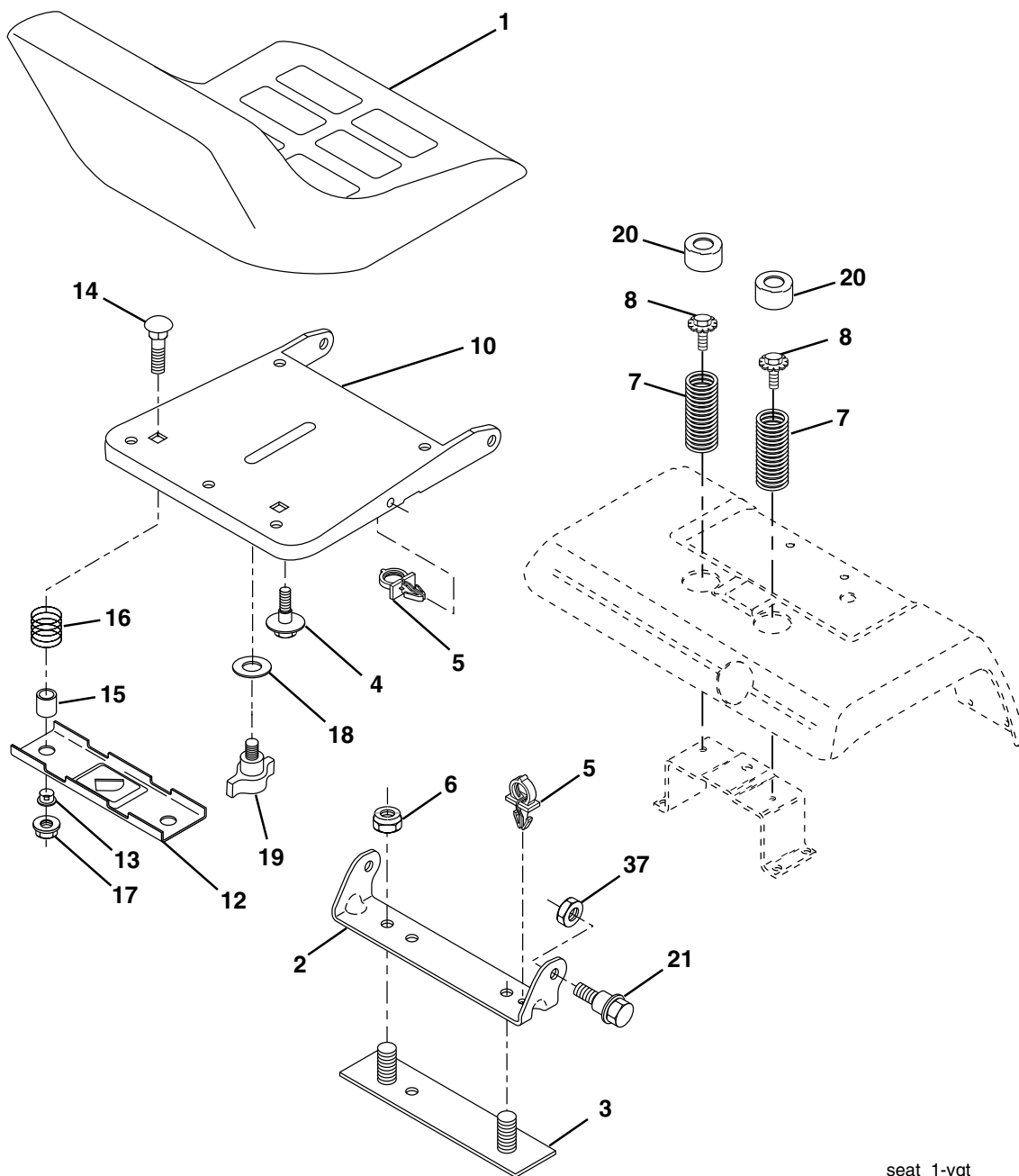
KEY NO.	PART NO.	DESCRIPTION
1	121006X	Rod Asm., Lever
2	180045	Shaft Asm., Lift Vgt
3	159189	Lever Asm., Lift Rh
4	12000022	E-Ring Truarc #5133-87
5	19292016	Washer 29/32 x 1-1/4 x 16 Ga.
6	71110624	Bolt, Fin Hex 3/8-16 x 1-1/2
7	125631X	Grip, Handle
8	124526X	Button, Plunger
9	122364X	Plunger Lever Lift
10	183894	Spring 0.62 OD x 2.125
11	175375	Link Lift
12	163552	Retainer, Spring
23	4939M	Retainer, Spring
24	73350800	Nut, Jam Hex 1/2-13 unc
26	73680800	Nut, Crownlock 1/2-13 unc
29	150233	Trunnion Inf. Height
30	110807X	Nut, Special
31	19131016	Washer 13/32 x 5/8 x 16 Ga.
32	137150	Spring, Compression Inf Hgt
33	76020308	Pin, Cotter 3/32 x 1/2
34	137167	Rod, Adj Lift
35	138057	Knob, Inf 3/8-16 unc
38	155097	Pointer, Height Indicator
39	123935X	Plug, Hole
40	17060516	Screw 5/16-18 x 3/4
41	175994	Nut, Lift Link 7/16-20
42	19112410	Washer 11/32 x 1-1/2 x 10 Ga.
43	123934X	Scale, Indicator Height
70	145212	Nut, Hexflange Lock
72	110452X	Nut, Push Phos & Oil
73	73350600	Nut Hex Jam 3/8-16 unc
74	187277	Arm Susp. Rear RH
75	175805	Plate Asm Susp. Front
76	175560	Pin Flange
77	176205	Trunnion Susp. Arm
78	175689	Trunnion Susp. Front
79	187276	Arm Susp. Rear LH
85	189013	Insert Wear
86	188528	Bolt Shoulder

NOTE: All component dimensions given in U.S. inches
1 inch = 25.4 mm

REPAIR PARTS

TRACTOR - MODEL NUMBER PDGT26H54A

SEAT ASSEMBLY



seat_1-vgt

KEY NO.	PART NO.	DESCRIPTION
1	189022	Seat
2	140551	Bracket, Pivot Seat
3	140675	Strap Asm. Fender
4	127018X	Bolt, Shoulder 5/16-18 x .62
5	145006	Clip, Push-In Hinged
6	73800600	Nut, Crownlock 3/8-16
7	124181X	Spring, Seat Cprsn.
8	171877	Bolt 5/16-18 unc x 3/4 w/Sems
10	182493	Pan, Seat
12	121246X	Bracket, Mounting Switch
13	121248X	Bushing, Snap
14	72050412	Bolt, Carriage 1/4-20 x 1-1/2

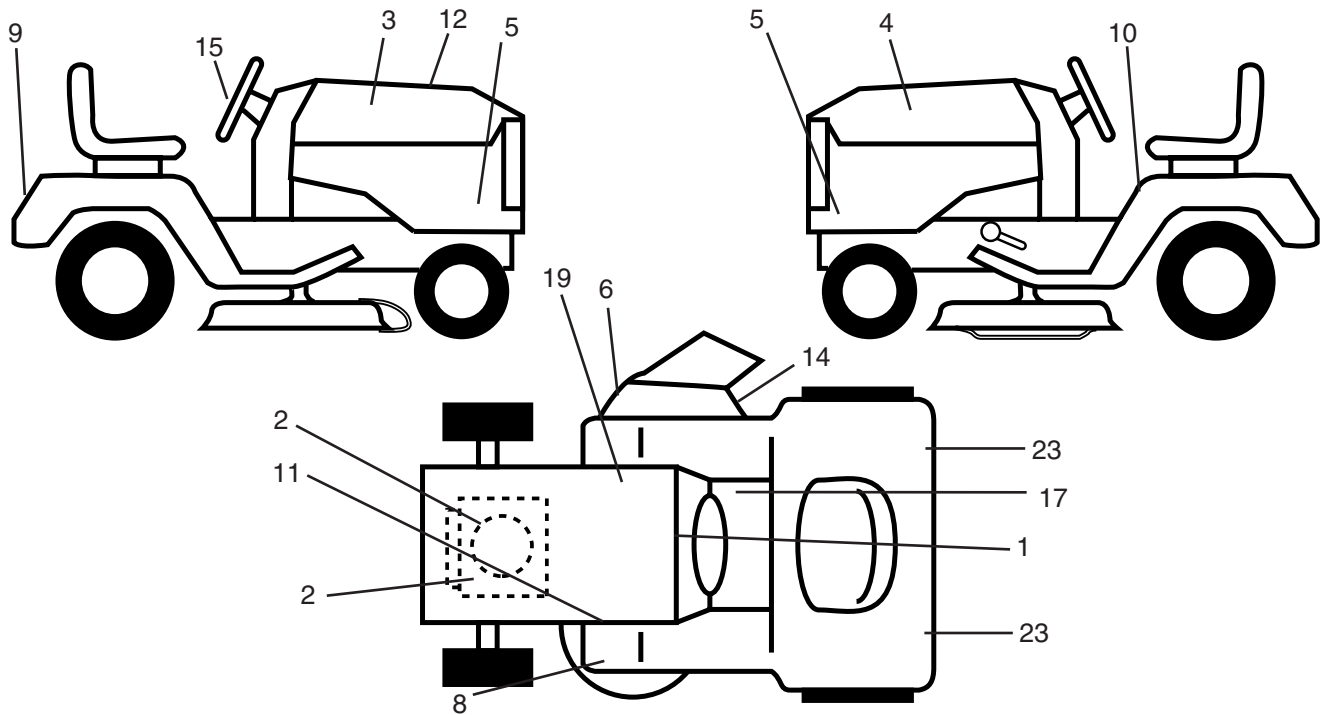
KEY NO.	PART NO.	DESCRIPTION
15	121249X	Spacer, Split
16	123740X	Spring, Cprsn.
17	123976X	Nut, Lock 1/4 Lg. Flg. Gr. 5
18	19171912	Washer 17/32 x 1-3/16 x 12 Ga.
19	166369	Knob, Seat
20	124238X	Cap, Spring Seat Blk
21	171852	Bolt 5/16-18 unc-2A
37	73800500	Nut, Crownlock 5/16-18

NOTE: All component dimensions given in U.S. inches
1 inch = 25.4 mm

REPAIR PARTS

TRACTOR - MODEL NUMBER PDGT26H54A

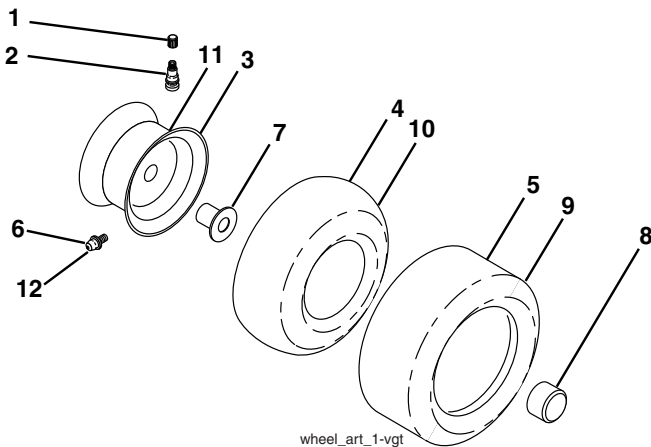
DECALS



KEY NO.	PART NO.	DESCRIPTION
1	164097	Decal, Dash
2	184858	Decal, Engine
3	176272	Decal, Hood, RH
4	176273	Decal, Hood, LH
5	189031	Decal, Hood Sides
6	170563	Decal, Warning
8	178502	Decal, Deck Caution
9	172740	Decal
10	157140	Decal, Danger
11	181253	Ft. Rest
12	189250	Decal, Repl.

KEY NO.	PART NO.	DESCRIPTION
14	188298	Decal, V-Belt Schematic
15	172743	Decal, Ins. Whl. Strg.
17	140837	Decal, Saddle Brake Parking
19	145005	Decal, Battery
23	106202X	Reflector, Taillight
--	166960	Decal, Bypass
--	179769X428	Pad Footrest RH
--	179768X428	Pad Footrest LH
--	188724	Manual, Owner's (English)
--	188725	Manual, Owner's (French)

WHEELS & TIRES



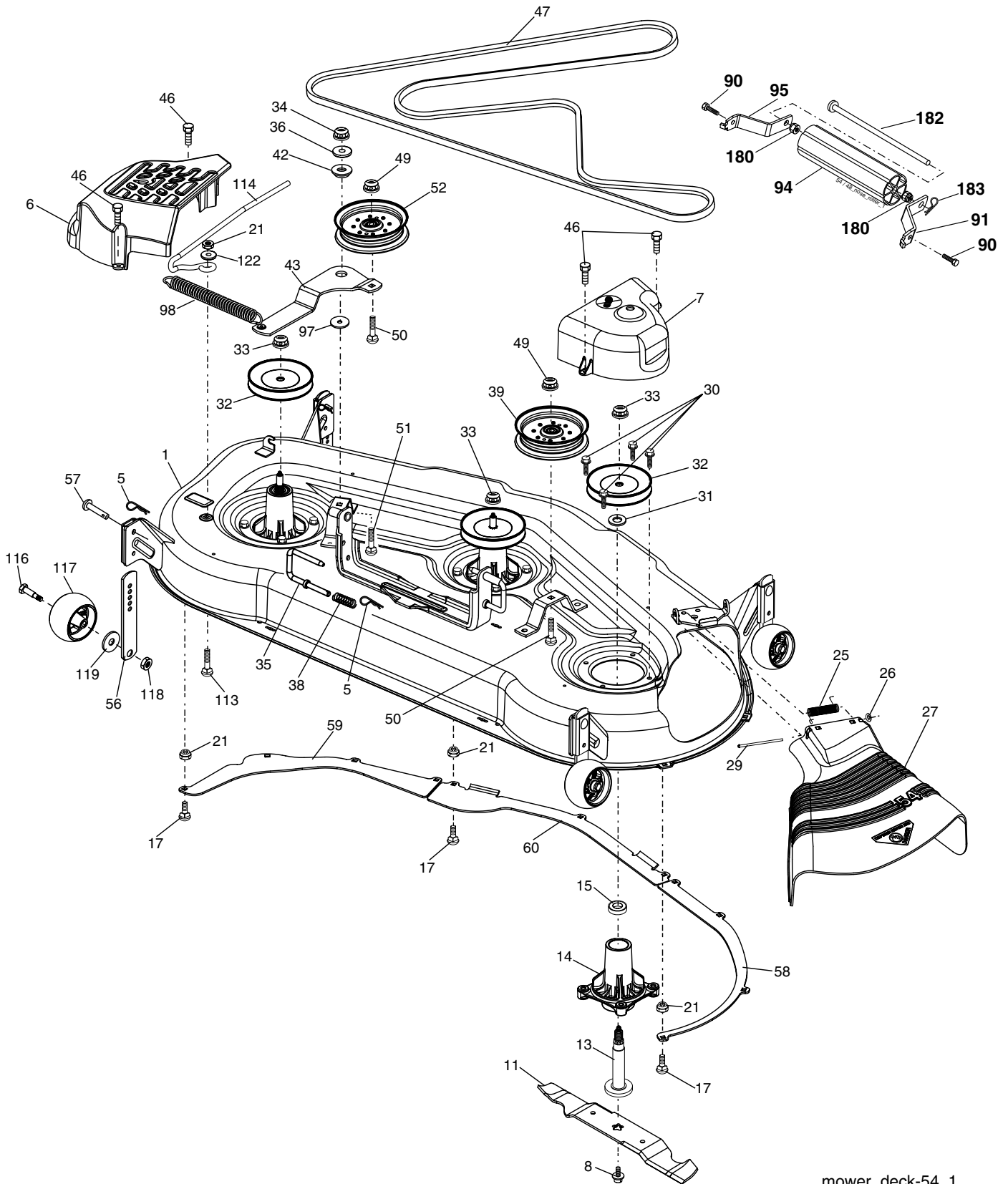
KEY NO.	PART NO.	DESCRIPTION
1	59192	Cap, Valve, Tire
2	65139	Stem, Valve
3	106228X421	Rim Assembly, Front
4	8134H	Tube, Front (Service Item Only)
5	106230X	Tire, Front
6	278H	Fitting, Grease (Front Wheel nly)
7	9040H	Bearing, Flange (Front Wheel Only)
8	104757X421	Cap, Axle (Front Wheel Only)
9	105588X	Tire, Rear
10	7154J	Tube, Rear (Service Item Only)
11	106277X421	Rim Assembly, Rear
12	6856M	Fitting, Grease
--	144334	Sealant, Tire (10 oz. Tube)

NOTE: All component dimensions given in U.S. inches
1 inch = 25.4 mm

REPAIR PARTS

TRACTOR - MODEL NUMBER PDGT26H54A

MOWER DECK



mower_deck-54_1

REPAIR PARTS**TRACTOR - MODEL NUMBER PDGT26H54A****MOWER DECK**

KEY NO.	PART NO.	DESCRIPTION	KEY NO.	PART NO.	DESCRIPTION
1	187295X421	Deck Weldment Mower	52	188460	Pulley Idler Clutching
5	4939M	Retainer Spring	56	155986	Bar Pnt Adj.
6	187297	Cover Mandrel LH	57	156941	Pin Head Rivet
7	188187	Cover Mandrel RH	58	187342	Baffle Right
8	174365	Bolt 7/16 Asm. Blade	59	187344	Baffle Left
11	187254	Blade, Standard (For mulching mowers only)	60	187607	Baffle Center
13	187291	Shaft Asm. w/Lower Bearing	90	74760516	Bolt 5/16-18 x 1
14	187281	Housing, Mandrel	91	180535	Bracket Asm N Roller RH
15	110485X	Bearing, Ball, Mandrel	94	176066	Roller Nose 48"
17	72140505	Bolt, Carriage 5/16-18 x 5/8	95	180534	Bracket Asm N Roller LH
21	73680500	Nut, Crownlock 5/16-18 unc	97	19133210	Washer Hardened
25	178102	Spring, Torsion	98	187282	Spring Clutch Drive
26	110452X	Nut, Push	113	72110508	Bolt Rdhd Sqnk 5/16-18 x 3/4
27	187257X428	Deflector Shield	114	187556	Rod Tension Relief
29	131491	Rod, Hinge	116	184219	Bolt, Shoulder
30	173984	Screw, Thdroll Washer Head	117	174873	Gauge Wheel
31	187690	Washer, Spacer Mower Vented	118	73930600	Nut, Centerlock 3/8-16 unc
32	177865	Pulley, Mandrel	119	19121414	Washer 3/8 x 7/8 x 14 Ga.
33	178342	Nut, Fig. Top Lock Cntr. 9/16	122	187557	Bushing Tension Relief
34	73680600	Nut	180	73800500	Nut 5/16-18
35	188635	Pin Suspension Rear	182	179127	Rod Roller Nose Narrow
38	188657	Spring Compression	183	163552	Retainer Spring
39	187284	Pulley, Idler, Stationary	--	187292	Mandrel Asm. Service (Includes Key Nos. 13-15 and 33)
42	122052X	Spacer, Retainer	--	188271	Replacement Mower, Complete (Std. Deck-Order separately nose roller components key nos. 90, 91, 94, 95, 180, 182, 183)
43	187278	Arm, Idler			
46	137729	Screw, Thdroll. 1/4-20 x 5/8			
47	191273	V-Belt, Mower, Secondary			
49	73900600	Nut, Lock Flg. 3/8-16 unc			
50	72110616	Bolt, Carr. 3/8-16 x 2			
51	72110610	Bolt			

NOTE: All component dimensions given in U.S. inches
1 inch = 25.4 mm