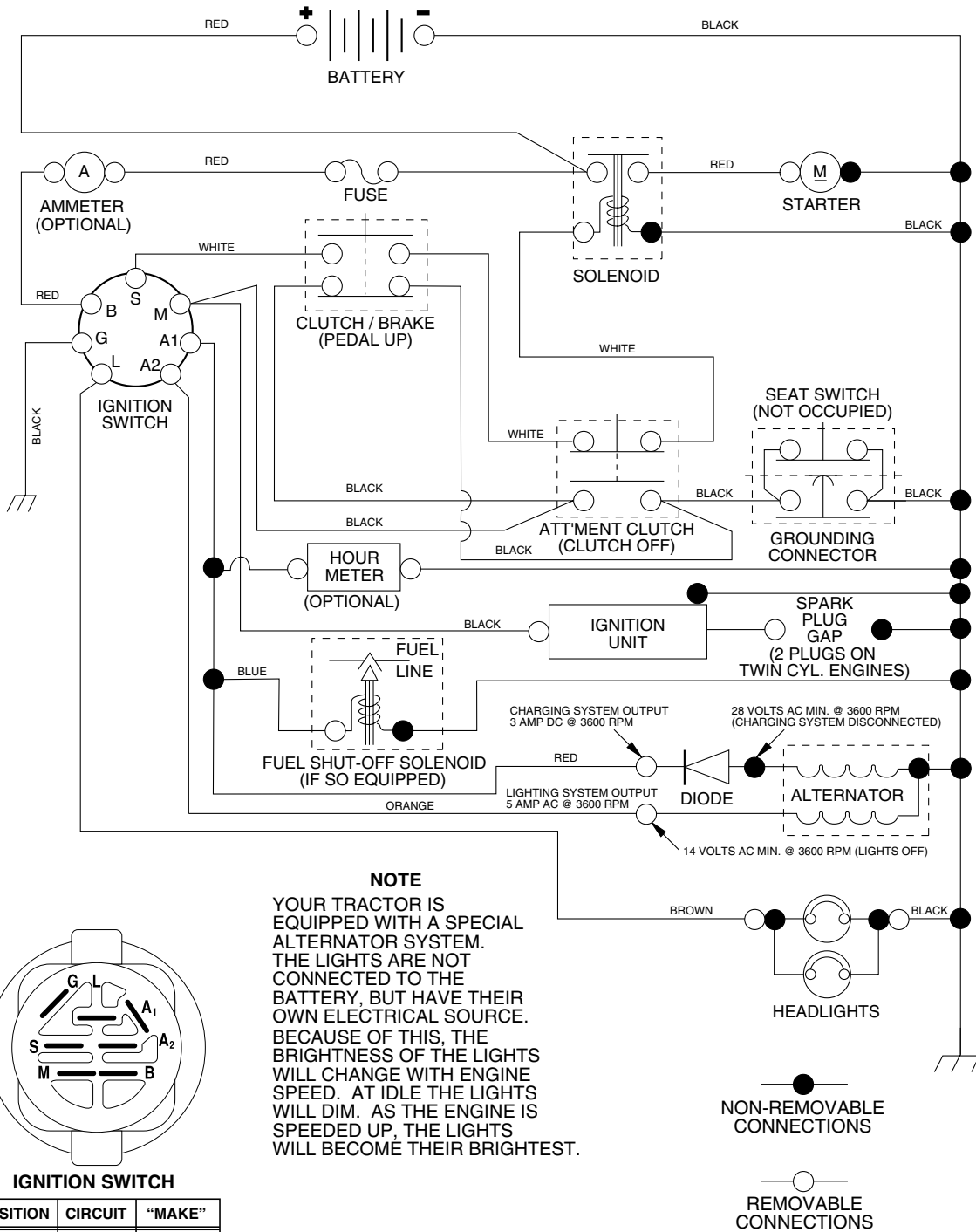


TRACTOR - - MODEL NUMBER AG185H42STA

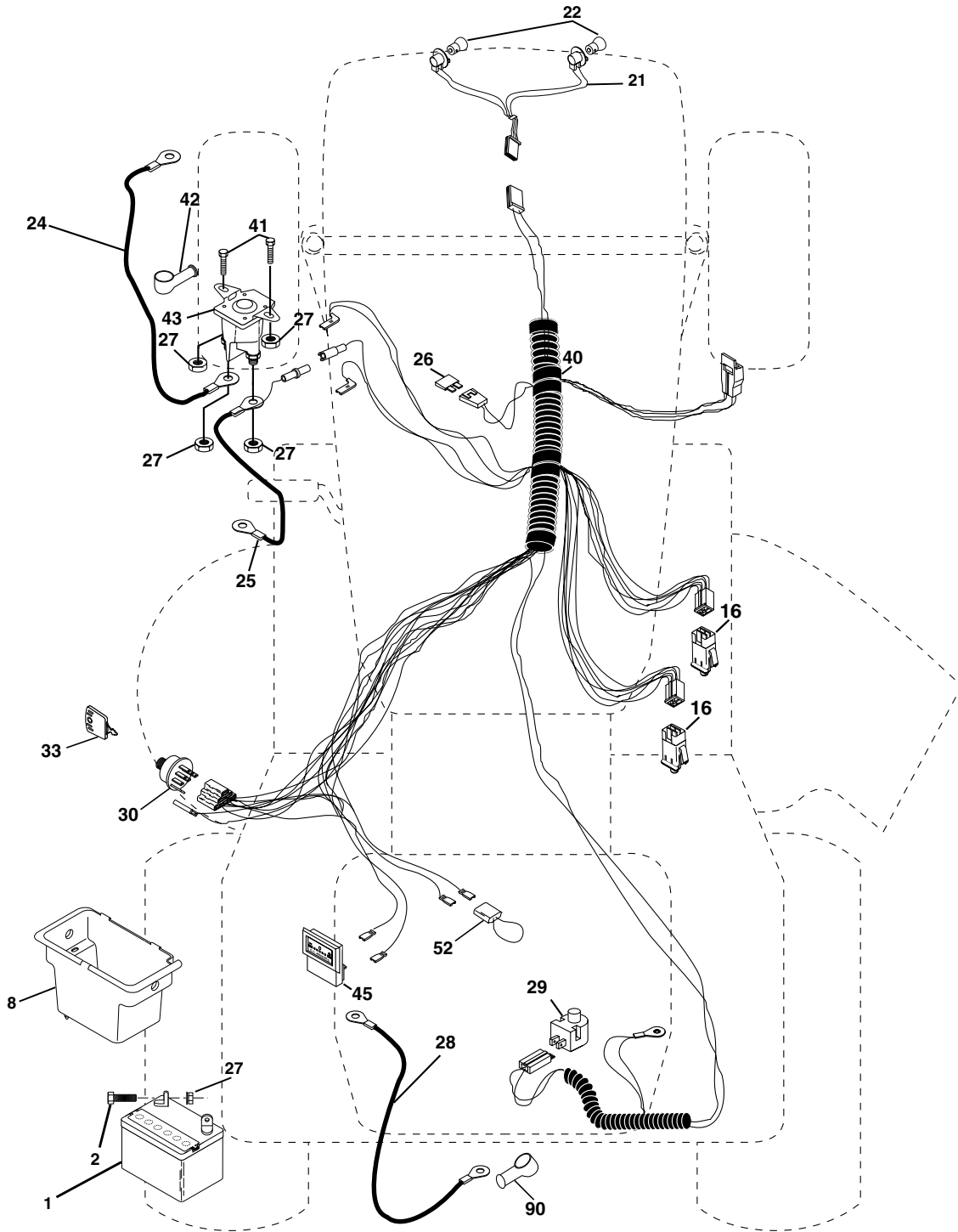
SCHEMATIC



REPAIR PARTS

TRACTOR - - MODEL NUMBER AG185H42STA

ELECTRICAL



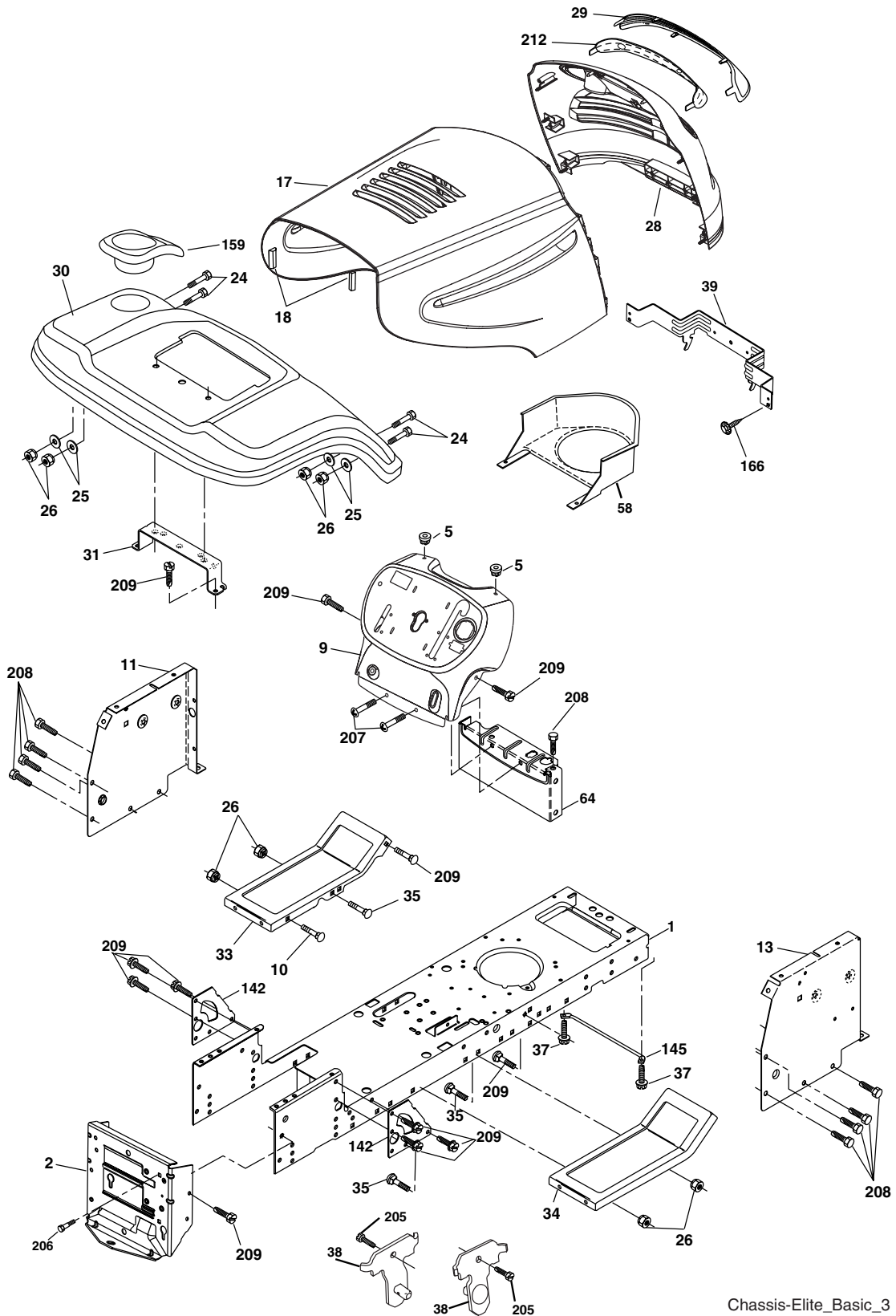
TRACTOR - - MODEL NUMBER AG185H42STA

ELECTRICAL

KEY NO.	PART NO.	DESCRIPTION
1	163465	Battery
2	74760412	Bolt Hex Hd 1/4-20unc x 3/4
8	176689	Battery Box
16	176138	Switch Interlock Push-In
21	183759	Harness Socket Light
22	4152J	Bulb, Light # 1156
24	4799J	Cable Battery
25	146147	Cable Battery 6 Ga. Red w/16 wire
26	175158	Fuse
27	73510400	Nut Keps Hex 1/4-20 Unc
28	4207J	Cable Ground 6ga. 12 black
29	121305X	Switch Plunger Nc Gray
30	175566	Switch Ign
33	140401	Key Ign Molded Generic
40	179720	Harness Ign
41	71110408	Bolt Fin Hex 1/4-20 uncx 1/2
42	131563	Cover Terminal Red
43	178861	Solenoid
45	121433X	Ammeter Rectangular
52	141940	Protection Loop
90	180449	Cover Terminal

NOTE: All component dimensions given in U.S. inches
1 inch = 25.4 mm

TRACTOR -- MODEL NUMBER AG185H42STA CHASSIS AND ENCLOSURES



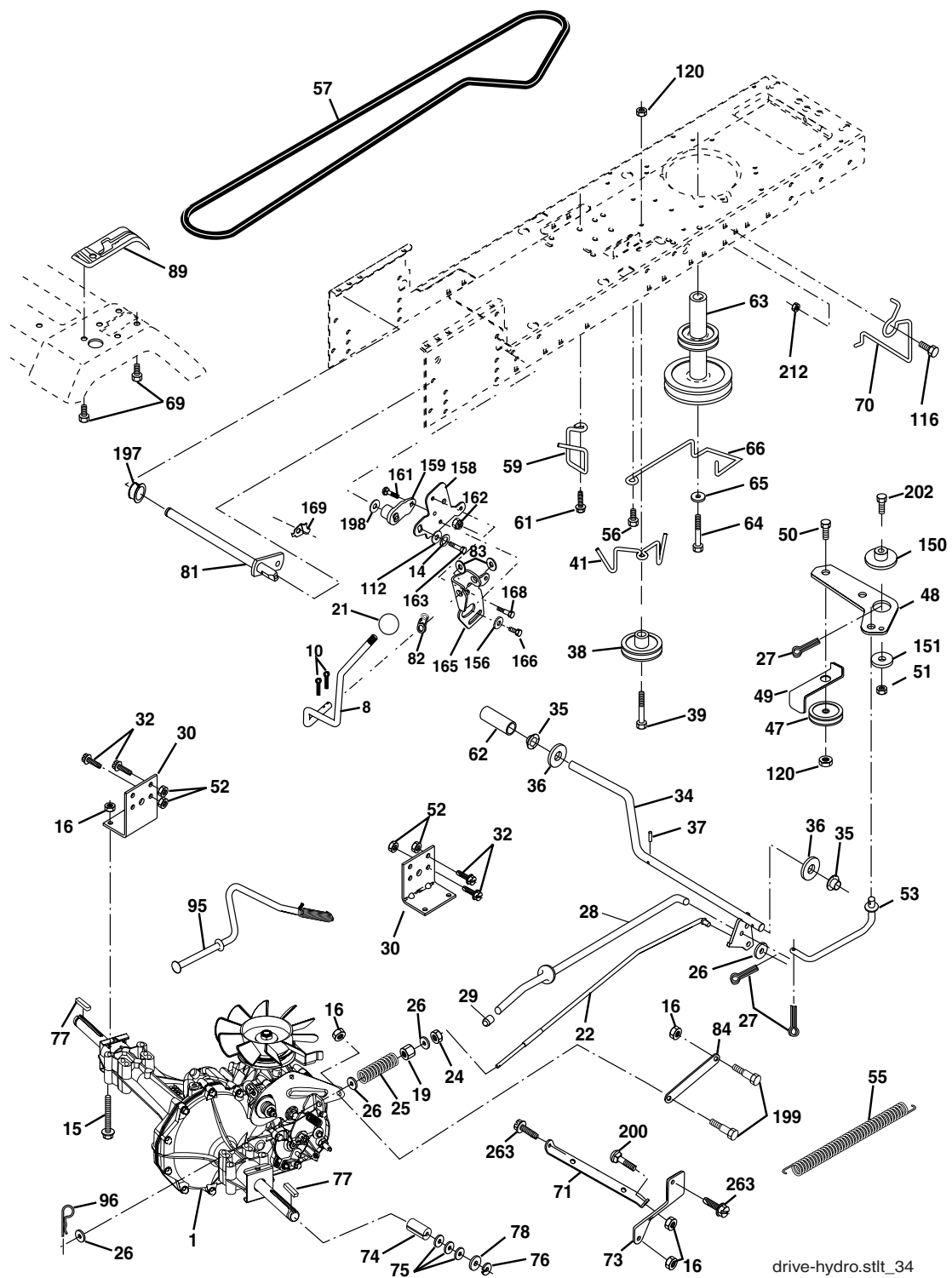
Chassis-Elite_Basic_3

**TRACTOR - - MODEL NUMBER AG185H42STA
CHASSIS AND ENCLOSURES**

KEY NO.	PART NO.	DESCRIPTION
1	174619	Chassis
2	176554	Drawbar
5	155272	Bumper Hood/Dash
9	187846X012	Dash
10	72140608	Bolt Carriage 3/8-16 x 1
11	174996	Panel Dash Lh
12	145660	Clip Tinnerman
13	179174X010	Panel Dash Rh
17	183394X505	Hood
18	126938X	Bumper Hood
24	74780616	Bolt Fin Hex 3/8-16 x 1 Gr. 5
25	19131312	Washer 13/32 x 13/16 x 12 Ga.
26	73800600	Nut Lock Hex W/Ins 3/8-16 unc
28	183826	Grille Asm. (Includes Key Nos. 29 & 212)
29	183824X599	Lens
30	169470X505	Fender
31	136619	Bracket Support Fender
33	179716X505	Footrest Pnt Lh
34	179717X505	Footrest Pnt Rh
35	72110606	Bolt Rdhd Sht Sqnk 3/8-16 x 3/4
37	17490508	Screw Thdrol 6/16-18 x 1/2 TYT
38	175710	Bracket Asm. Pivot Mower Rear
39	174714	Bracket Pivot
58	150127	Duct Air Engine
64	154798	Dash Lower STLT
142	175702	Plate Reinforcement STLT
145	156524	Rod Pivot Chassis/Hood
159	169473X428	Cupholder
166	171875	Screw HWHD Hi-Low # 13-16 x 5/8
205	17490608	Screw Thdrol 3/8-16 x 1/2
206	170165	Bolt Shoulder 5/16-18
207	17670508	Screw Thdrol 5/16-18 x 1/2
208	17670608	Screw Thdrol 3/8-16 x 1/2
209	17000612	Screw Hexwsh Thdr 3/8-16 x 3/4
212	183823	Insert Lens Reflect
--	5479J	Plug
--	187801	Plug Dome

NOTE: All component dimensions given in U.S. inches
1 inch = 25.4 mm

TRACTOR - - MODEL NUMBER AG185H42STA GROUND DRIVE



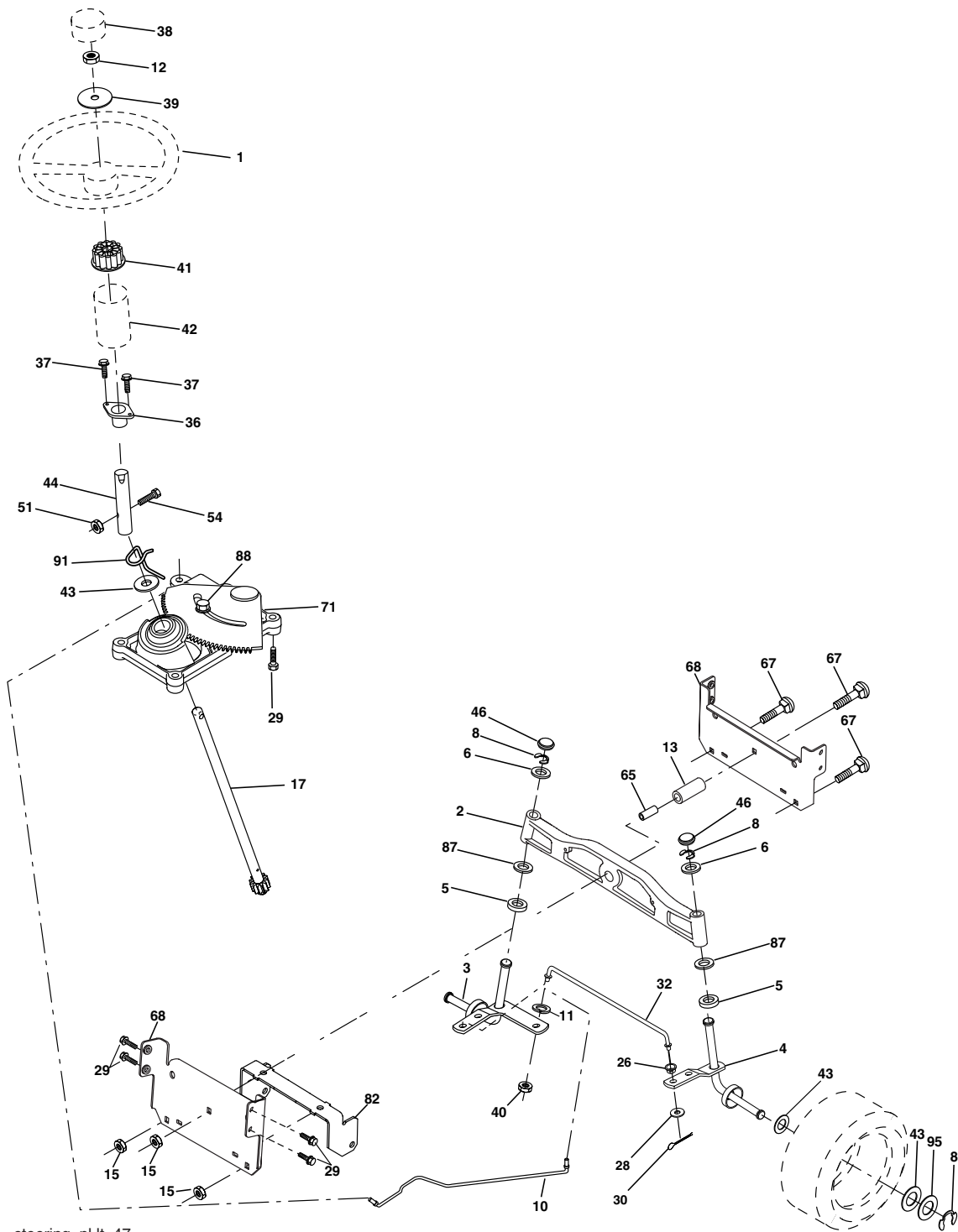
drive-hydro.stlt_34

**TRACTOR - - MODEL NUMBER AG185H42STA
GROUND DRIVE**

KEY NO.	PART NO.	DESCRIPTION	KEY NO.	PART NO.	DESCRIPTION
1	-----	Transaxle Hydro Gear 314-0510 (Order Parts From Transaxle Manufacturer)	66	154778	Keeper Belt Engine
			69	142432	Screw
8	165619	Rod Shift Hydro LT	70	134683	Guide Belt
10	76020416	Pin Cotter 1/8 x 1 CAD	71	169183	Strap Torque Lh Hydro
14	10040400	Washer Lock Hvy Helical	73	169182	Strap Torque Rh Hydro
15	74490544	Bolt, Hex FLGHD 5/16-18 Gr. 5	74	137057	Spacer, Axle
16	73800500	Nut Lock Hex W/Ins 5/16-18unc P	75	121749X	Washer 25/32 x 1-1/4 x 16 Ga.
19	73800600	Nut Lock Hex W/Wsh 3/8-16 unc	76	1200001	E-Ring
21	140845	Knob, Round 1/2-13	77	123583X	Key, Square
22	169498	Rod, Brake Hydro	78	121748X	Washer 25/32 x 1-5/8 x 16 Ga.
24	73350600	Nut	81	165596	Shaft Asm. Cross Hydro
25	106888X	Spring, Brake Rod	82	123782X	Spring Torsion T/A
26	19131316	Washer	83	19171216	Washer 17/32 x 3/4 x 16 Ga.
27	76020412	Pin Cotter 1/8 x 3/4 CAD.	84	169594	Link Transaxle
28	175765	Rod, Parking Brake	89	169373X428	Console, Hydro
29	71673	Cap, Parking Brake	95	170201	Control Asm Bypass Hydro
30	169592	Bracket, Transaxle	96	4497H	Retainer Spring 1" Zinc/Cad
32	74760512	Bolt Hex Hd 5/16-18 unc x 3/4	112	19091210	Washer 9/32 x 3/4 x 10 Ga.
34	175578	Shaft, Foot Pedal	116	72140608	Bolt Rdhd Sq Neck 3/8-16 x 1
35	120183X	Bearing, Nylon	120	73900600	Nut Lock Flg 3/8-16
36	19211616	Washer	150	175456	Spacer Retainer
37	1572H	Pin, Roll	151	19133210	Washer 13/32 x 2 x 10 Ga.
38	179114	Pulley, Flat Composite	156	166002	Washer Srrted 5/16 ID x 1.125
39	72110622	Bolt RDHD 3/8-16 unc x 2-3/4 Gr. 5	158	165589	Bracket Shift Mount
41	175556	Keeper, Belt Idler	159	183900	Hub Tapered Flange Shift Lt
47	127783	Pulley, Idler, V-Groove	161	72140406	Bolt Rdhd Sqnk 1/4-20 x 3/4 Gr. 5
48	154407	Bellcrank Clutch Grnd Drv STL	162	73680400	Nut Crownlock 1/4-20 unc
49	123205X	Retainer, Belt	163	74780416	Bolt Hex Fin 1/4-20 unc x 1 Gr. 5
50	72110612	Bolt Carr. SH 3/8-16 x 1-1/2 Gr. 5	165	165623	Bracket Pivot Lever
51	73680600	Nut Crownlock 3/8-16 unc	166	17490510	Screw 5/16-18 x 5/8
52	73680500	Nut Crownlock 5/16-18 unc	168	165492	Bolt Shoulder 5/16-18 x .561
53	105710X	Link, Clutch	169	165580	Plate Fastening Lt
55	105709X	Spring, Return, Clutch	197	169613	Nyliner Snap-In 5/8" ID
56	17060620	Screw 3/8-16 x 1-1/4	198	169593	Washer Nyl 7/8 ID x .105
57	140294	V-Belt, Ground Drive	199	169612	Bolt Shoulder 5/16-18 unc
59	169691	Keeper, Center Span	200	72140508	Bolt Rdhd Sqnk 5/16-18 unc x 1
61	17120614	Screw 3/8-16 x .875	202	72110614	Bolt RDHD 3/8-16 x 1-3/4 Gr. 5
62	8883R	Cover, Pedal	212	145212	Nut Hex Flg Lock
63	175410	Pulley, Engine	263	17000612	Screw Thdrol. 3/8-16 x .75
64	173937	Bolt, Hex			
65	10040700	Washer			

NOTE: All component dimensions given in U.S.
inches 1 inch = 25.4 mm

TRACTOR - - MODEL NUMBER AG185H42STA STEERING ASSEMBLY



steering_pl.it_47

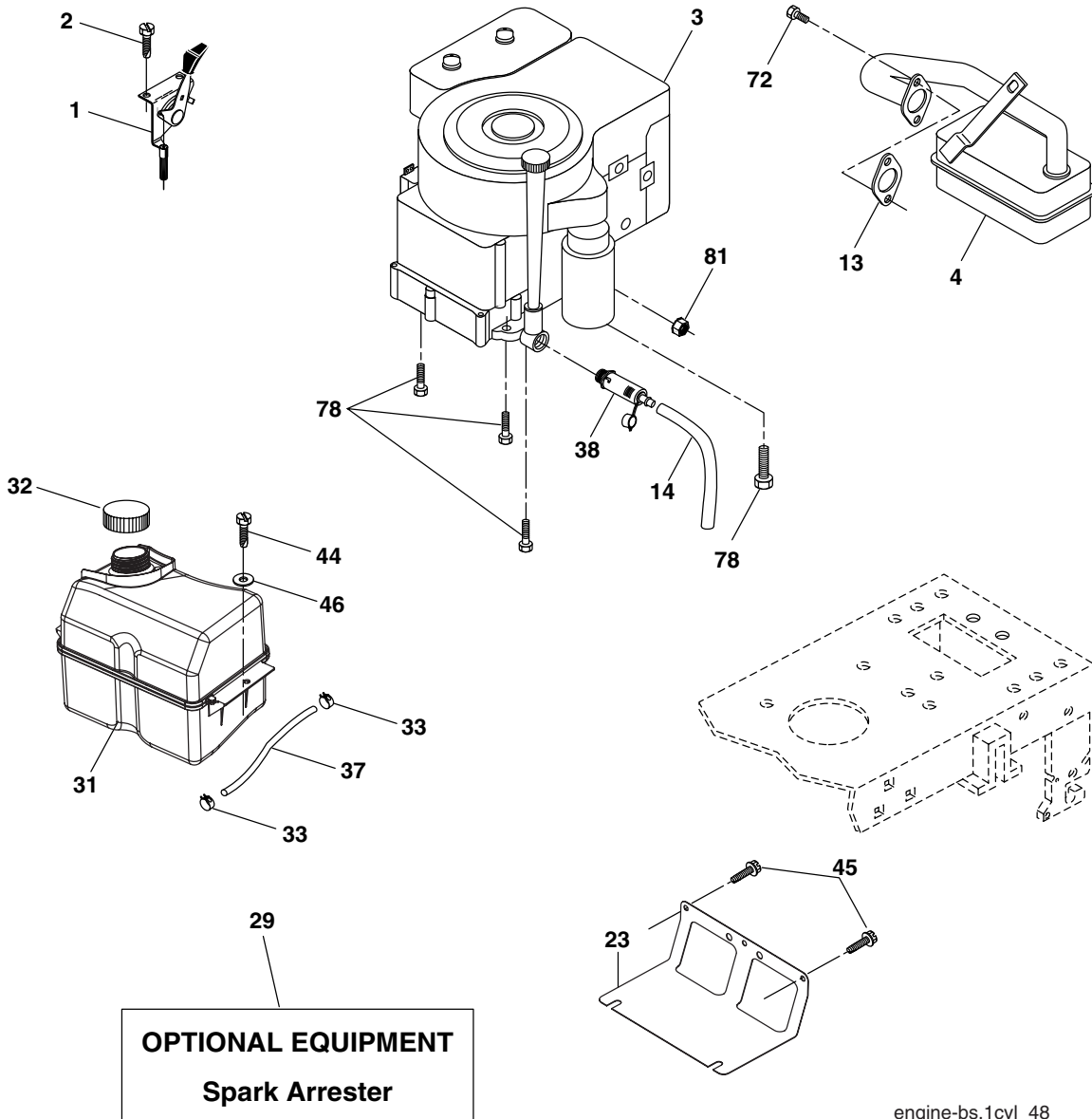
**TRACTOR - - MODEL NUMBER AG185H42STA
STEERING ASSEMBLY**

KEY NO.	PART NO.	DESCRIPTION
1	184704X428	Wheel Steering
2	184706	Axle Asm Cast Iron LT
3	169840	Spindle Asm LH
4	169839	Spindle Asm RH
5	6266H	Bearing Race Thrust Harden
6	121748X	Washer 25/32 x 1-5/8 x 16 Ga.
8	12000029	Ring Klip #t5304-75
10	175121	Link Drag
11	10040600	Washer Lock Hvy Hlcl Spr 3/8
12	73940800	Nut Hex Jam Toplock 1/2-20 unf
13	136518	Spacer Brg. Axle Front
15	145212	Nut Hex Flange Lock
17	180641	Shaft Asm. Steering
26	126847X	Bushing Link Drag
28	19131416	Washer 13/32 x 7/8 x 16 Ga.
29	17000612	Screw 3/8-16 x .75
30	76020412	Pin Cotter 1/8 x 3/4
32	130465	Rod Tie
36	155099	Bushing Strg
37	152927	Screw
38	159946X428	Insert Cap Strg Wh Au
39	19182411	Washer
40	73540600	Nut Crownlock 3/8-24
41	159945	Adaptor Wheel Strg
42	145054X428	Boot Steering Dash
43	121749X	Washer 25/32 x 1 1/4 x 16 Ga.
44	180640	Extension Steering Shaft
46	121232X	Cap Spindle Fr Top Blk
51	73540400	Nut Crownlock 1/4-28
54	71130420	Bolt Hex 1/4-28 Unf x 1-1/4 Gr. 8
65	160367	Brace Axle
67	72110618	Bolt Rdhd Sq 3/8-16 unc x 2-1/4
68	169827	Axle, Brace
71	175146	Steering Asm.
82	169835	Bracket Susp. Chassis Front
87	173966	Washer Flat .781 x 1-1/2 x 14
88	175118	Bolt Shoulder 7/16-20 unc
91	175553	Clip Steering
95	188967	Washer Harden .793 x 1.637 x 060

NOTE: All component dimensions given in U.S. inches
1 inch = 25.4 mm

TRACTOR - - MODEL NUMBER AG185H42STA

ENGINE



OPTIONAL EQUIPMENT
Spark Arrester

engine-bs.1cyl_48

KEY PART NO.	PART NO.	DESCRIPTION
1	170551	Control Th/ch Flag
2	17720408	Screw Hex Thd Cut 1/4-20 x 1/2
3	-----	Engine, Briggs Model 31P777 (Order Parts From Engine Manufacturer)
4	137352	Muffler
13	165291	Gasket Eng
14	148456	Tube Drain Oil Easy
23	169837	Shield Brn/Dbr Guard
29	137180	Kit Spark Arrestor (Flat Scrn)
31	185534	Tank Fuel Front
32	140527	Cap Asm Fuel W/sym Vented
33	123487X	Clamp Hose Black
37	137040	Line Fuel 20"
38	181654	Plug Drain Oil Easy
44	17670412	Screw Hexwsh Thdrol 1/4-20 x 3/4
45	17000612	Screw Hexwsh Thdr 3/8-16 x 3/4

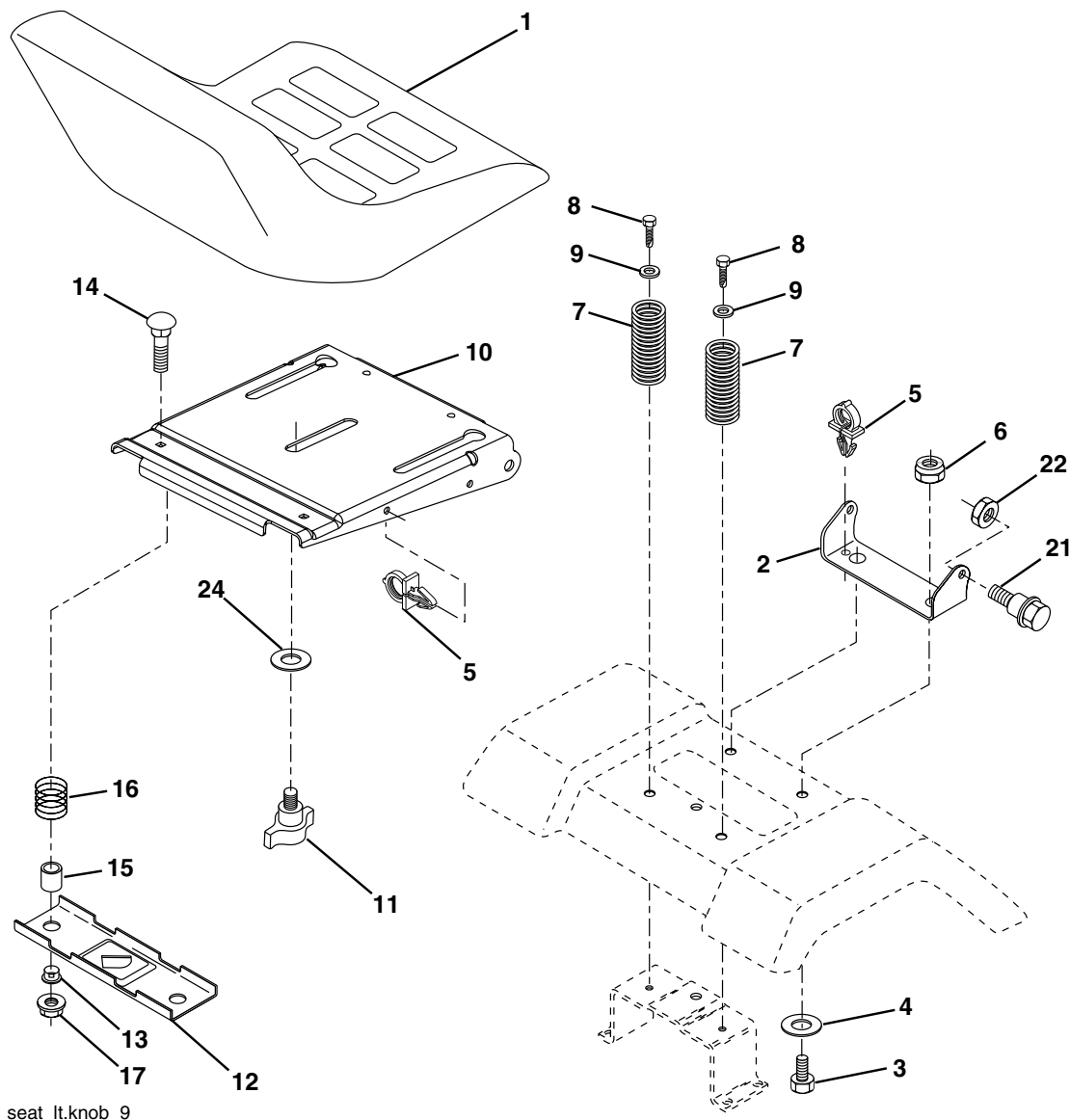
KEY PART NO.	PART NO.	DESCRIPTION
46	19091416	Washer 9/32 x 7/8 x 16 Ga
72	183906	Screw Socket Head 5/16-18 x 1
78	17060620	Screw 3/8-16 x 1-1/4
81	73510400	Nut Keps Hex 1/4-20 unc

NOTE: All component dimensions given in U.S. inches
1 inch = 25.4 mm

For engine service and replacement parts, call the toll free number for your engine manufacturer listed below:

Briggs & Stratton	1-800-233-3723
Kohler Co.	1-800-544-2444
Tecumseh Products	1-800-558-5402
Honda Engines	1-800-426-7701
Kawasaki	1-949-460-5688

TRACTOR - - MODEL NUMBER AG185H42STA
SEAT ASSEMBLY



seat_lt.knob_9

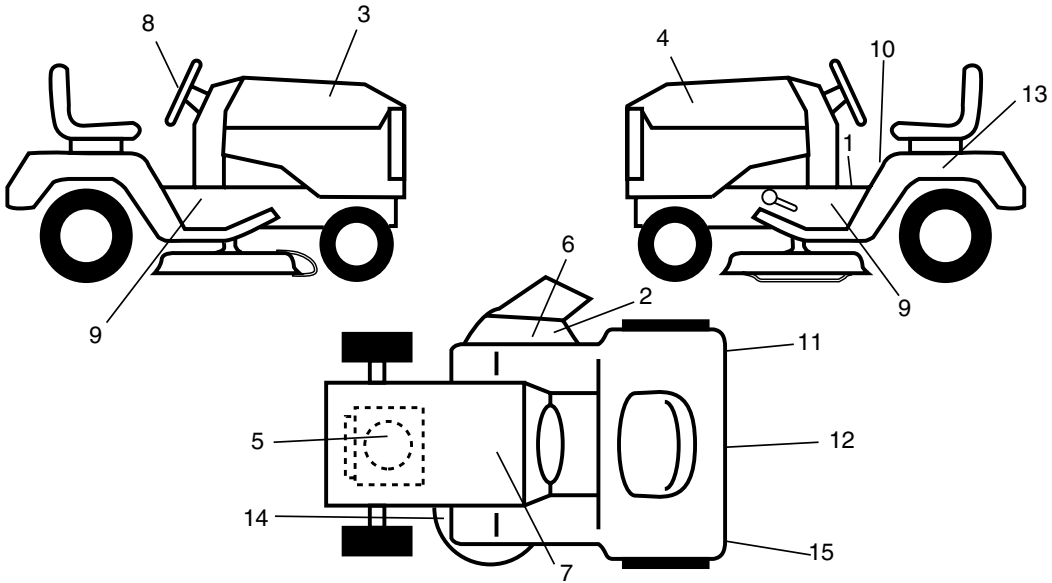
KEY PART NO.	NO.	DESCRIPTION
1	188704	Seat
2	180166	Bracket Pivot
3	71110616	Bolt Fin Hex 3/8-16 unc x 1
4	19131610	Washer 13/32 x 1 x 10 Ga.
5	145006	Clip Push-In
6	73800600	Nut Hex w/Ins. 3/8-16 unc
7	124181X	Spring Seat Cprsn 2 250 Blk Zi
8	17000616	Screw 3/8-16 x 1.5
9	19131614	Washer 13/32 x 1 x 14 Ga.
10	180186	Pan Seat
11	166369	Knob Seat
12	121246X	Bracket Mounting Switch

KEY PART NO.	NO.	DESCRIPTION
13	121248X	Bushing Snap Blk Nyl 50 Id
14	72050412	Bolt Rdhd Sqnk 1/4-20 x 1-1/2
15	134300	Spacer Split 28x 88
16	121250X	Spring Cprsn
17	123976X	Nut Lock 1/4 Lge Flg Gr. 5 Zinc
21	171852	Bolt Shoulder 5/16-18 Unc
22	73800500	Nut Hex Lock W/Ins 5/16-18
24	19171912	Washer 17/32 x 1-3/16 x 12 Ga.

NOTE: All component dimensions given in U.S. inches
 1 inch = 25.4 mm

TRACTOR - - MODEL NUMBER AG185H42STA

DECALS



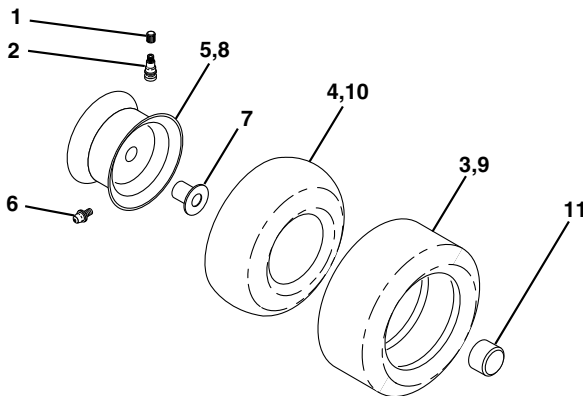
KEY PART NO. NO.

KEY PART NO.	NO.	DESCRIPTION
1	156811	Decal Oper
2	170563	Decal Deck Warn.
3	189823	Decal Hood RH Agway
4	189824	Decal Hood LH Agway
5	189288	Decal HP Engine
6	179128	Decal Deck "B" 42"
7	190456	Decal Repl. Parts
8	186210	Decal Steering Wheel Agway
9	189828	Decal 18/42 Agway
10	157141	Decal Fender Danger E/F
11	173587	Decal RH FNDR Reflector
12	186209	Decal Agway
13	145005	Decal Battery

KEY PART NO. NO.

KEY PART NO.	NO.	DESCRIPTION
14	160396	Decal V-Belt Schematic
15	173589	LH FNDR Reflector
--	179768X428	Pad Footrest LH
--	179769X428	Pad Footrest RH
--	138311	Decal Handle Lft Height Adjust
--	166960	Decal By Pass
--	190617	Manual Owner's (English)
--	190618	Manual Owner's (Spanish)

WHEELS & TIRES

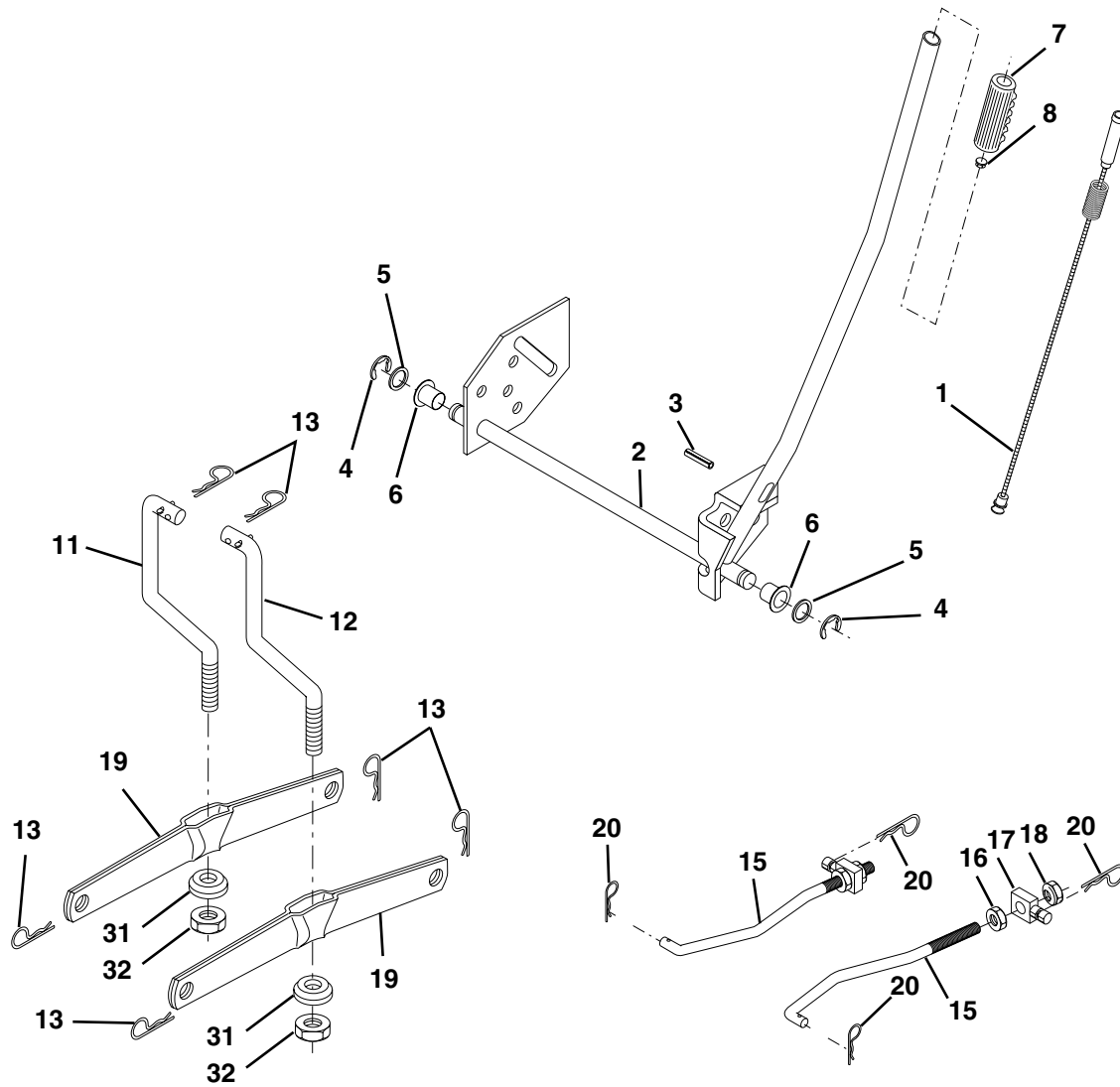


KEY PART NO. NO.

KEY PART NO.	NO.	DESCRIPTION
1	59192	Cap Valve Tire
2	65139	Stem Valve
3	106222X	Tire F T 15 X 6 0 - 6 Service
4	59904	Tube Front (Service Item Only)
5	106732X624	Rim Asm 6"front Service
6	278H	Fitting Grease (Front Wheel Only)
7	9040H	Bearing Flange (Front Wheel nly)
8	106108X624	Rim Asm 8"rear Service
9	122082X	Tire R T 20x10-8 Service
10	7152J	Tube Rear (Service Item Only)
11	104757X428	Cap Axle Blk 1 50 X 1 00
--	144334	Sealant, Tire (10 oz. Tube)

NOTE: All component dimensions given in U.S. inches
1 inch = 25.4 mm

TRACTOR - - MODEL NUMBER AG185H42STA
LIFT ASSEMBLY



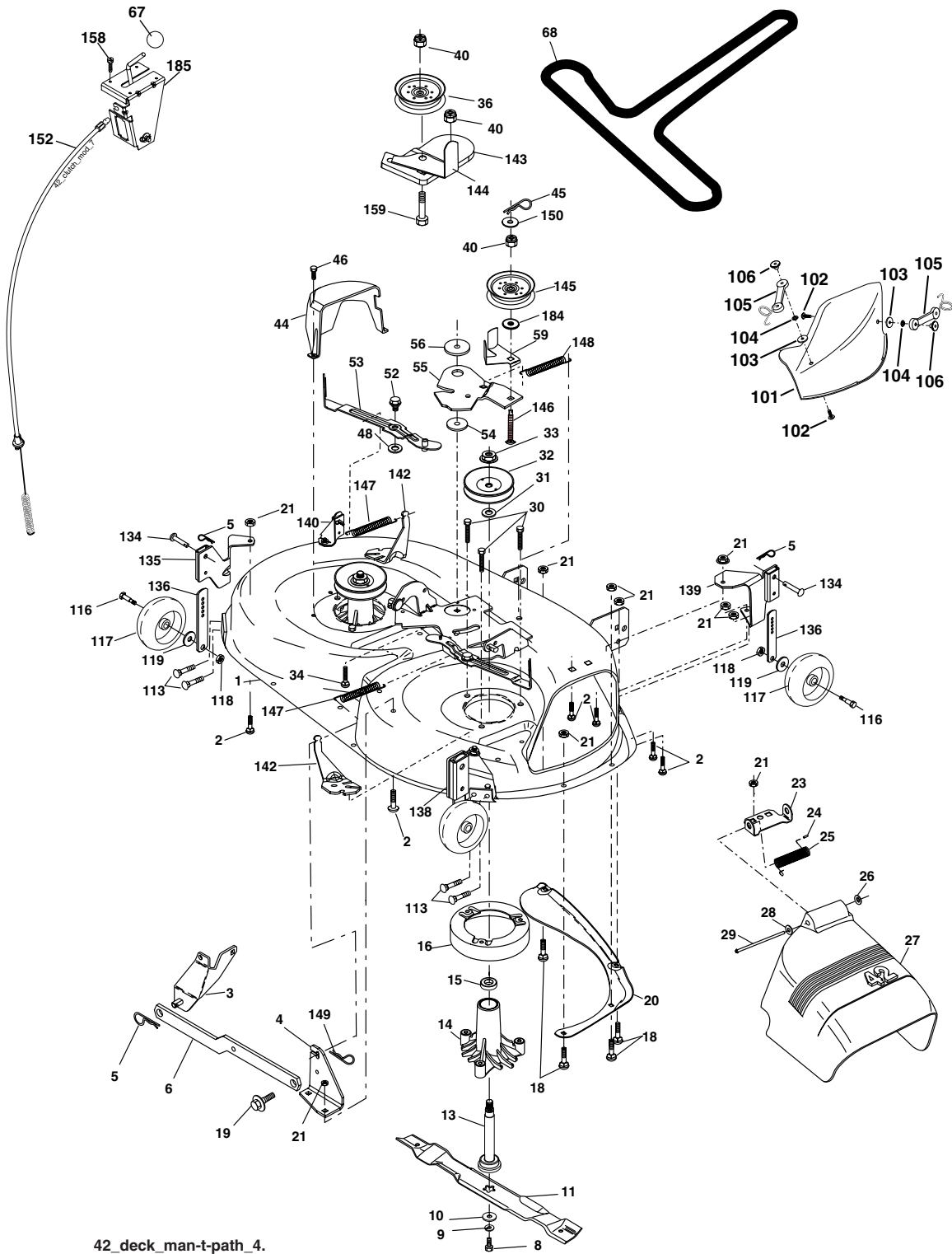
KEY PART NO.	NO.	DESCRIPTION
1	159461	Wire Asm Inner/Sprg W/plunger LT
2	159476	Shaft Asm Lift RH w/Inf
3	178981	Pin Groove 1 500 Zinc
4	12000002	E Ring #5133-62
5	19211621	Washer 21/32 x 1 x 21 Ga.
6	120183X	Bearing Nylon Blk 629 Id
7	125631X	Grip Handle
8	124526X	Button Plunger
11	139865	Link Lift LH Fixed Length
12	139866	Link Lift RH Fixed Length

KEY PART NO.	NO.	DESCRIPTION
13	4939M	Retainer Spring
15	173288	Link Front
16	73350800	Nut Jam Hex 1/2-13 unc
17	175689	Trunnion
18	73800800	Nut Lock W/Wsh 1/2-13 unc
19	139868	Arm Suspension Rear
20	163552	Retainer Spring
31	169865	Bearing Pvt Lift
32	73540600	Nut Crownlock 3/8 - 24

NOTE: All component dimensions given in U.S. inches
 1 inch = 25.4 mm

TRACTOR -- MODEL NUMBER AG185H42STA

MOWER DECK



TRACTOR - - MODEL NUMBER AG185H42STA**MOWER DECK**

KEY NO.	PART NO.	DESCRIPTION	KEY NO.	PART NO.	DESCRIPTION
1	182032	Mower Deck Assembly, 42"	55	155046	Arm, Idler
2	72140506	Bolt	56	165723	Spacer, Retainer
3	138017	Bracket Asm Fr. Sway Bar 3/42	59	141043	Guard TUV Idler
4	165460	Bracket Asm Deck 42" Sway Bar	67	106932X	Knob
5	4939M	Retainer Spring	68	144959	V-Belt, 42" Mower
6	178024	Bar Sway Deck	101	136420	Mulcher Cover
8	850857	Bolt 3/8-24 x 25 Gr. 8 patched	102	71081010	Screw Pin Hd Phillips 10-24 x 5/8
9	10030600	Washer, Lock	103	19061216	Washer #10
10	140296	Washer, Hardened (The following blades are available)	104	10071000	Washer Lock #10
11	134149	Blade, Mulching 42" Std (For mulching mowers only)	105	160793	Latch Assembly, Bagger
--	138971	Blade Mower 42" Hi-Lift (For bagging and discharging)	106	2029J	Nut, Weld
--	139775	Blade Mulching 42" Premium (For better wear when mulching)	113	17060512	Screw 5/16-18 x 3/4
13	137645	Shaft Assembly, Mandrel, Vented	116	184219	Bolt, Shoulder
14	128774	Housing, Mandrel, Vented	117	133957	Wheel, Gauge
15	110485X	Bearing, Ball, Mandrel	118	73930600	Nut Centerlock 3/8-16
16	174493	Stripper, Mandrel Deck	119	19121414	Washer 3/8 x 7/8 x 14 Ga.
18	72140505	Bolt, Carriage 5/16-18 x 5/8	134	156941	Pin Head Rivet
19	132827	Bolt, Shoulder	135	159765	Bracket Asm. Whl. Ga. Rear LH
20	159770	Baffle, Vortex	136	155986	Bar Adjusting Ga. Whl.
21	73680500	Nut	138	159763	Bracket Asm. Whl. Ga. Rear RH
23	177563	Bracket, Deflector Mower 42"	139	159767	Bracket Asm. Whl. Ga. Front RH
24	105304X	Cap, Sleeve 80 x 112 Blk Mower	140	159768	Bracket Asm. Whl. Ga. Front LH
25	123713X	Spring, Torsion, Deflector 2 52	142	165890	Arm Spring Brake Mower
26	110452X	Nut, Push Phos & Oil	143	157109	Bracket Arm Idler 42"
27	130968X428	Shield, Deflector 42" Blk	144	158634	Keeper Belt 42" Clutch Cable
28	19111016	Washer 11/32 x 5/8 x 16 Ga.	145	165888	Pulley Idler Flat
29	131491	Rod, Hinge 42" 6 75 W/G	146	171977	Bolt Carriage Idler
30	173984	Screw Thdrol Washer Head	147	131335	Spring Extension
31	187690	Washer, Spacer	148	169022	Spring Return Idler
32	153535	Pulley, Mandrel	149	165898	Retainer Spring Yellow
33	178342	Nut, Toplock 9/16 Flange	150	19091210	Washer 9/32 x 3/4 x 16 Ga.
34	72110612	Bolt Carr Sh 3/8-16 x 1-1/2 Gr. 5	152	169676	Clutch Cable 42"
36	131494	Pulley, Idler, Flat	158	17720408	Screw Hex Thd Cut 1/4-20 x 5/8
40	73900600	Nut	159	72140614	Bolt Rdhd Sqn 3/8-16 unc x 1-3/4
44	140088	Guard, Mandrel, LH	184	19131410	Washer 13/32 x 7/8 x 10 Ga.
45	4497H	Retainer	185	188234	Head Asm. Cable Clutch
46	137729	Screw, Thdrol 1/4-20 x 5/8 T	--	130794	Mandrel Assembly (Includes Housing, Shaft and Shaft Hardware Only-Pulley Not Included)
48	133944	Washer, Hardened	--	186917	Replacement Mower, Complete (Std. Deck-Order separately guage wheel and mulcher components key nos. 5, 101-106, 116-119, 134, 136).
52	139888	Bolt, Shoulder 5/16-18 unc			
53	184907	Arm Assembly, Pad, Brake			
54	178515	Washer, Hardened			

NOTE: All component dimensions given in U.S.inches
1 inch = 25.4 mm