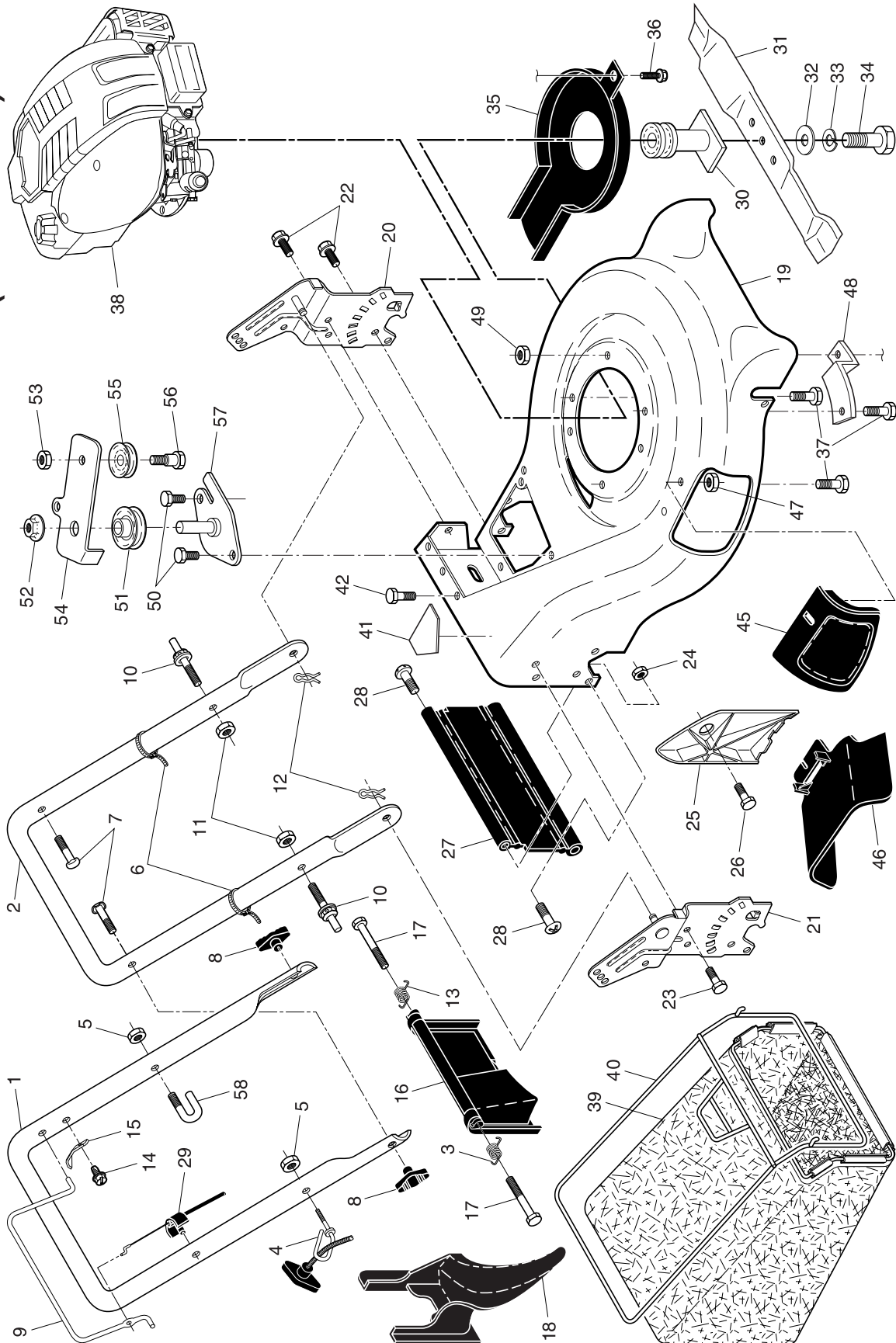


ROTARY LAWN MOWER -- CATALOG NUMBER PR675Y21RDP (96142001000)



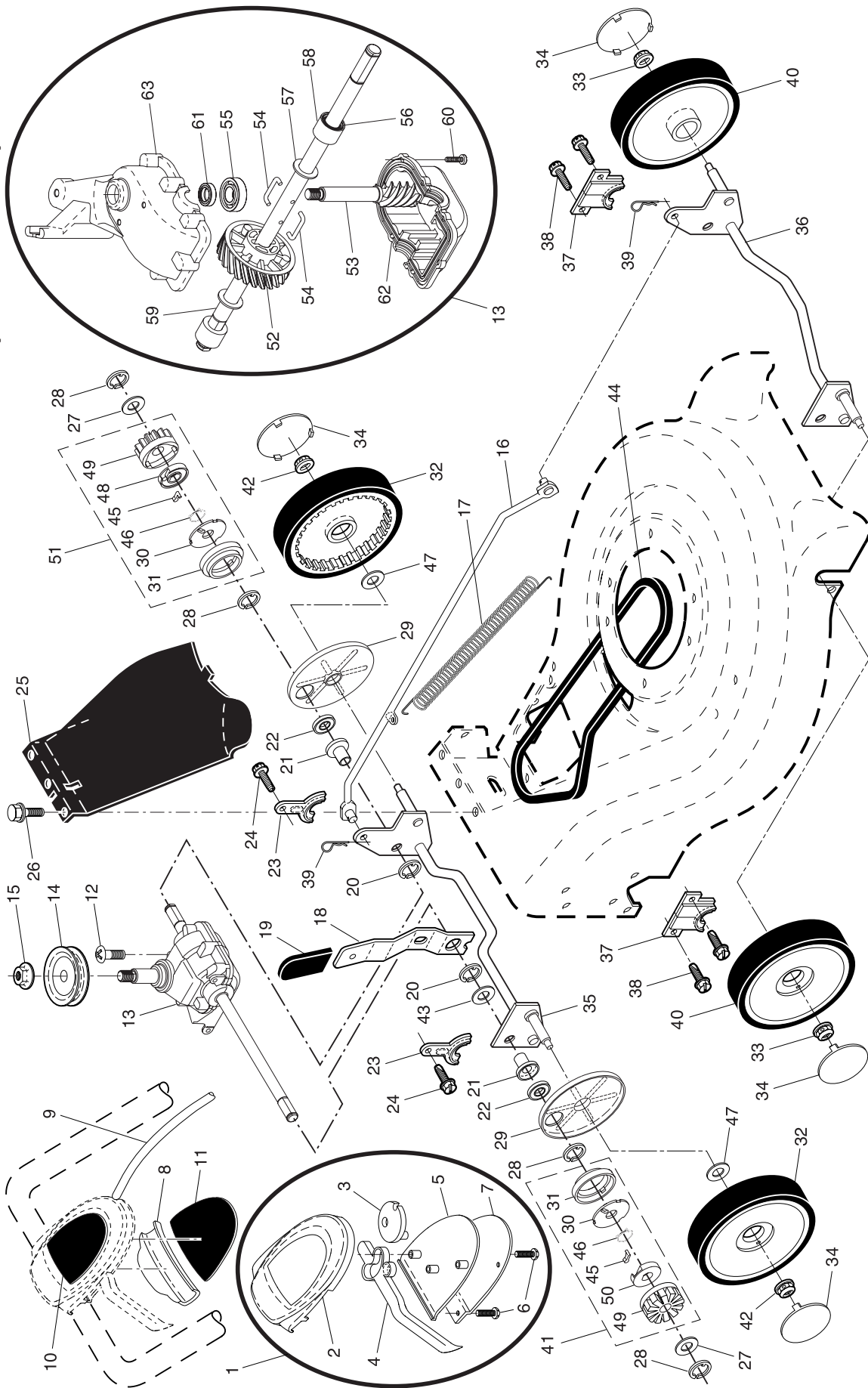
ROTARY LAWN MOWER - - CATALOG NUMBER PR675Y21RDP (96142001000)

KEY NO.	PART NO.	DESCRIPTION	KEY NO.	PART NO.	DESCRIPTION
1	188190X479	Handle, Upper	33	850263	Washer, Lock
2	161105X479	Handle, Lower	34	851084	Bolt, Hex Head
3	186053	Spring, Rear Door, RH	35	188786	Debris Shield
4	179585	Guide, Rope, Side	36	188040	Bolt
5	132004	Nut, Hex, with Lockwasher Insert 1/4-20	37	150406	Bolt, Engine
6	66426	Wire, Tie	38	- - -	Engine, Briggs & Stratton, Model Number 12K502 (For engine service and replacement parts, call Briggs & Stratton at 1-800-233-3723)
7	191574	Bolt, Handle 5/16-18 x 2-5/8			
8	189713X428	Knob, Handle			
9	187940X428	Control Bar	39	195096	Grassbag
10	188821	Bolt, Carriage	40	188817	Frame, Grassbag
11	73930500	Nut, Hex, with Lockwasher Insert 5/16-18 UNC	41	107339X	Danger Decal
12	51793	Cotter, Hairpin	42	54583	Screw
13	186052	Spring, Rear Door, LH	45	183058X428	Rear Door Assembly
14	750634	Screw	46	169699X428	Mulcher Door, Multi-Cut
15	850733X004	Bracket, Upstop	47	88349	Nut, Hex
16	18585X428	Rear Door Assembly	48	188839X004	Mounting Bracket, Debris Shield
17	184193	Bolt, Rear Door	50	57808	Screw
18	187535	Plug, Mulcher	51	184543	Pulley
19	181763	Kit, Housing	52	145212	Nut, Hex, Flanged
20	193917X479	Handle Bracket Assembly, Left	53	155552	Locknut
21	193916X479	Handle Bracket Assembly, Right	54	179719X004	Idler Arm
22	150078	Screw, Hex Washer Head	55	166043	Idler Pulley
23	163183	Bolt, Hex Head 5/16-18 x 5/8	56	160829	Shoulder Bolt
24	73800500	Nut, Hex, with Lockwasher Insert 5/16-18	57	179783X004	Bracket Assembly
25	161333	Baffle, Side	58	182003	Clip, Packaging
26	163409	Screw #12 x 5/8	- -	162300	Warning Decal (not shown)
27	188986	Skirt, Rear	- -	193733	Operator's Manual, English
28	88652	Screw, Hinge 1/4-20 x 1.25	- -	193736	Operator's Manual, French
29	183567	Cable, Engine Zone Control	- -	195094	Repair Parts Manual, English / French
30	189179	Blade Adapter / Pulley			
31	189028	Blade, 21"			
32	851074	Washer			

NOTE: All component dimensions given in U.S. inches.
1 inch = 25.4 mm

IMPORTANT: Use only Original Equipment Manufacturer (O.E.M.) replacement parts. Failure to do so could be hazardous, damage your lawn mower and void your warranty.

ROTARY LAWN MOWER -- CATALOG NUMBER PR675Y21RDP (96142001000)



ROTARY LAWN MOWER - - CATALOG NUMBER PR675Y21RDP (96142001000)

KEY NO.	PART NO.	DESCRIPTION	KEY NO.	PART NO.	DESCRIPTION
1	195092	Drive Control Assembly	34	77400	Hubcap, Mag, Platinum
2	188277	Cover, Upper	35	193440X004	Shaft Assembly, Rear
3	187353	Pulley	36	193438X004	Shaft Assembly, Front
4	195585	Lever, Drive Control	37	161463	Retainer, Front Shaft
5	188276	Cover, Lower	38	163409	Screw #12 x 5/8
6	181698	Screw	39	700279	Clip, Retainer
7	184212X479	Mounting Bracket, Drive Control	40	170262	Wheel & Tire Assembly, Front 8 x 2
8	184987	Cap, Bottom	41	188330	Pinion Assembly, RH
9	190284	Cable, Drive Control	42	145212	Nut, Flangelock
10	195175	Decal, Drive Control Operation	43	19572216	Washer
11	185913	Decal, Drive Control Adjustment (back)	44	182212	V-Belt
12	187653	Screw	45	175098	Pawl
13	188645	Gearcase Assembly, Complete	46	188291	Spring, Torsion
14	189048	Pulley Assembly	47	67725	Washer
15	132010	Nut, Flangelock, Zinc Plated 3/8-16	48	175105	Retainer, Drive, LH
16	161584	Rod, Connecting	49	173103	Pinion, Gear
17	161602	Spring, Extension	50	175102	Retainer, Drive, RH
18	193663X004	Spring, Selector	51	188331	Pinion Assembly, LH
19	189808X421	Knob, Selector Spring	52	187532	Gear, 24 Teeth
20	12000022	E-Ring 7/8	53	187533	Shaft, Input
21	163365	Bearing, Support	54	183505	Wire, Formed
22	169911	Bearing, Ball	55	183506	Bearing, Ball
23	161118X004	Retainer, Drive Assembly	56	183508	Seal, Output Shaft
24	57808	Screw, Tapping, Hex Head 1/4-20 x .75	57	183509	Washer
25	194730X428	Cover Drive	58	183511	Bushing
26	750634	Screw, Threaded, Rolled #10-25 x .50	59	191249	Shaft, Output
27	52160	Washer, Shim (as required)	60	183513	Screw
28	12000058	E-Ring 7/16	61	183514	Seal, Input Shaft
29	189403	Cover, Dust, Wheel	62	187530	Case, Lower
30	175104	Disc, Drive	63	187531	Case, Upper
31	184172	Seal, Friction			
32	180765	Wheel & Tire Assembly, Rear, Driven 9 x 2			
33	83923	Nut, Flangelock 3/8-16			

NOTE: All component dimensions given in U.S. inches.
1 inch = 25.4 mm

IMPORTANT: Use only Original Equipment Manufacturer (O.E.M.) replacement parts. Failure to do so could be hazardous, damage your lawn mower and void your warranty.