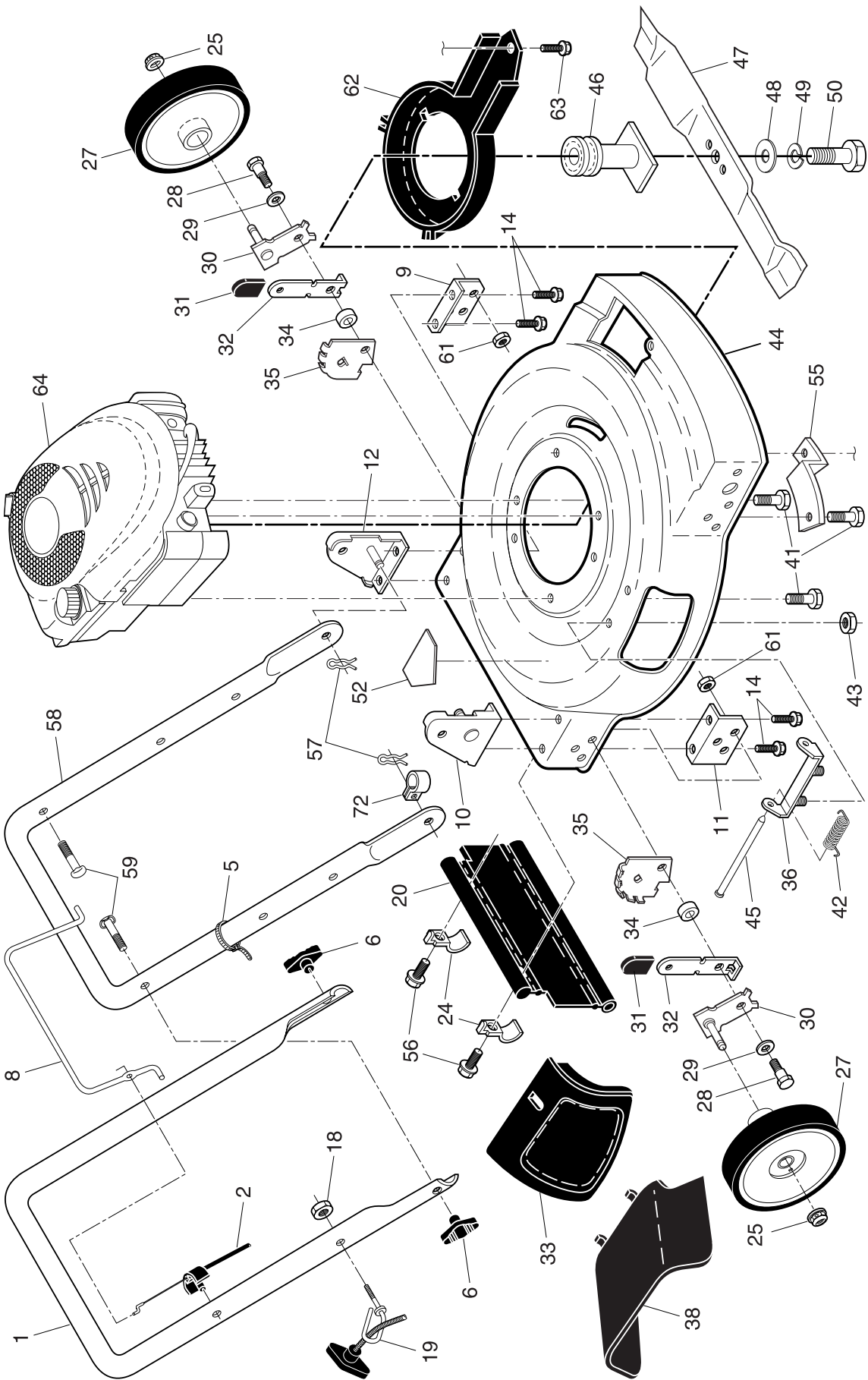


ROTARY LAWN MOWER -- MODEL NUMBER 961240001 (96124000101)



ROTARY LAWN MOWER - - MODEL NUMBER 961240001 (96124000101)

KEY NO.	PART NO.	DESCRIPTION	KEY NO.	PART NO.	DESCRIPTION
1	166860X479	Upper Handle	43	73800400	Locknut, Hex
2	156581	Engine Zone Control Cable	44	196102	Kit, Lawn Mower Housing (Includes Key Number 52)
5	66426	Wire Tie	45	147286	Rod, Hinge
6	189713X428	Handle Knob	46	189179	Blade Adapter / Pulley
8	146771	Control Bar	47	192682	Blade, 22"
9	153282X479	Support Bracket, Handle, LH	48	851074	Washer, Hardened
10	170345X479	Handle Bracket Assembly, RH	49	850263	Washer, Lock, Helical
11	153350X479	Support Bracket, Handle, RH	50	851084	Screw, Hex Head 3/8-24 x 1-3/8 Grade 8
12	170346X479	Handle Bracket Assembly, LH	52	141846	Decal, Danger
14	149741	Screw, Thread Cutting 5/16-18 x 3/4	55	188839X004	Mounting Bracket, Debris Shield
18	132004	Locknut, Keys	56	750097	Screw, Hex Washer Head #10-24 x 1/2
19	179585	Rope Guide	57	51793	Hairpin Cotter
20	189008	Rear Deflector	58	151590X479	Lower Handle
24	192301X004	Clamp, Rear Deflector	59	191574	Handle Bolt
25	83923	Locknut, Hex 3/18-16	61	751592	Locknut, Hex
27	193909X617	Wheel & Tire Assembly	62	188784	Debris Shield
28	142748	Shoulder Bolt	63	192325	Screw, Debris Shield
29	62335	Belleville Washer	64	- - -	Engine, Briggs & Stratton, Model Number 121K02 (for engine service and replacement parts, call Briggs & Stratton at 1-800-233-3723)
30	145935X004	Axle Arm Assembly			
31	87877	Knob, Selector			
32	700331X004	Spring, Selector	72	192770	Clip, Cable
33	151889	Discharge Guard	- -	161058	Warning Decal (not shown)
34	146630	Spacer	- -	193733	Operator's Manual, English
35	700325X007	Bracket, Wheel Adjuster	- -	193743	Operator's Manual, Spanish
36	154132	Bracket, Housing	- -	195980	Repair Parts Manual
38	176509	Deflector, Discharge			
41	150406	Screw, Hex Head, Threaded, Rolled 3/8-16 x 1-1/8			Available accessories not included with lawn mower:
42	152124	Spring, Torsion	- -	GCK5000	Grass Catcher

NOTE: All component dimensions given in U.S. inches. 1 inch = 25.4 mm. **IMPORTANT:** Use only Original Equipment Manufacturer (O.E.M.) replacement parts. Failure to do so could be hazardous, damage your lawn mower and void your warranty.

ROTARY LAWN MOWER - - MODEL NUMBER 961240001 (96124000101)

KEY NO.	PART NO.	DESCRIPTION	KEY NO.	PART NO.	DESCRIPTION
1	184588	Drive Control Assembly	41	195107	Kit, Wheel Adjuster, RH (Includes Knob and Bearing)
2	191039	Bearing, Wheel Adjuster	55	86012	Drive Shaft Cover
3	143603	Screw, Tapping, Pan Head #10-24 x 2-3/4	60	183497	* Case, Lower
4	158755	Screw, Machine, Pan Head 1/4-20 x 2-3/16	61	183498	* Case, Upper
5	146527	V-Belt	62	183499	Gear, 27 Teeth
6	150495	Retainer, Spring	63	183500	Lever, Clutch
7	191730	Nut, Hex, Flanged 1/4-20	64	183501	Spring, Return
9	83923	Locknut, Hex	65	183502	Shaft, Input
11	193912X617	Wheel & Tire Assembly	66	183503	Dog, Movable
12	12000058	E-Ring	67	183504	Dog, Fixed
13	750003	Pinion	68	183505	Wire, Formed
14	189403	Dust Cover	69	183506	Bearing, Ball
15	191017	Pawl, Drive	70	183507	Fork, Shift
16	67725	Washer	71	183508	Seal, Output Shaft
18	87877	Knob, Selector	72	183509	Washer
28	194398X428	Drive Cover	73	183510	Seal, Case
32	194126	Pulley, Drive	74	183511	Bushing
35	195110	Kit, Wheel Adjuster, LH (Includes Knob and Bearing)	75	196561	Shaft, Output
36	194936	Gear Case Assembly, Complete	76	183513	Screw
38	73800400	Locknut, Hex	77	183514	Seal, Input Shaft
40	137090	Spring			

* Use Dow Corning #709 to reseal Gear Case Halves.

NOTE: All component dimensions given in U.S. inches. 1 inch = 25.4 mm. **IMPORTANT:** Use only Original Equipment Manufacturer (O.E.M.) replacement parts. Failure to do so could be hazardous, damage your lawn mower and void your warranty.