

ILLUSTRATED PARTS LIST

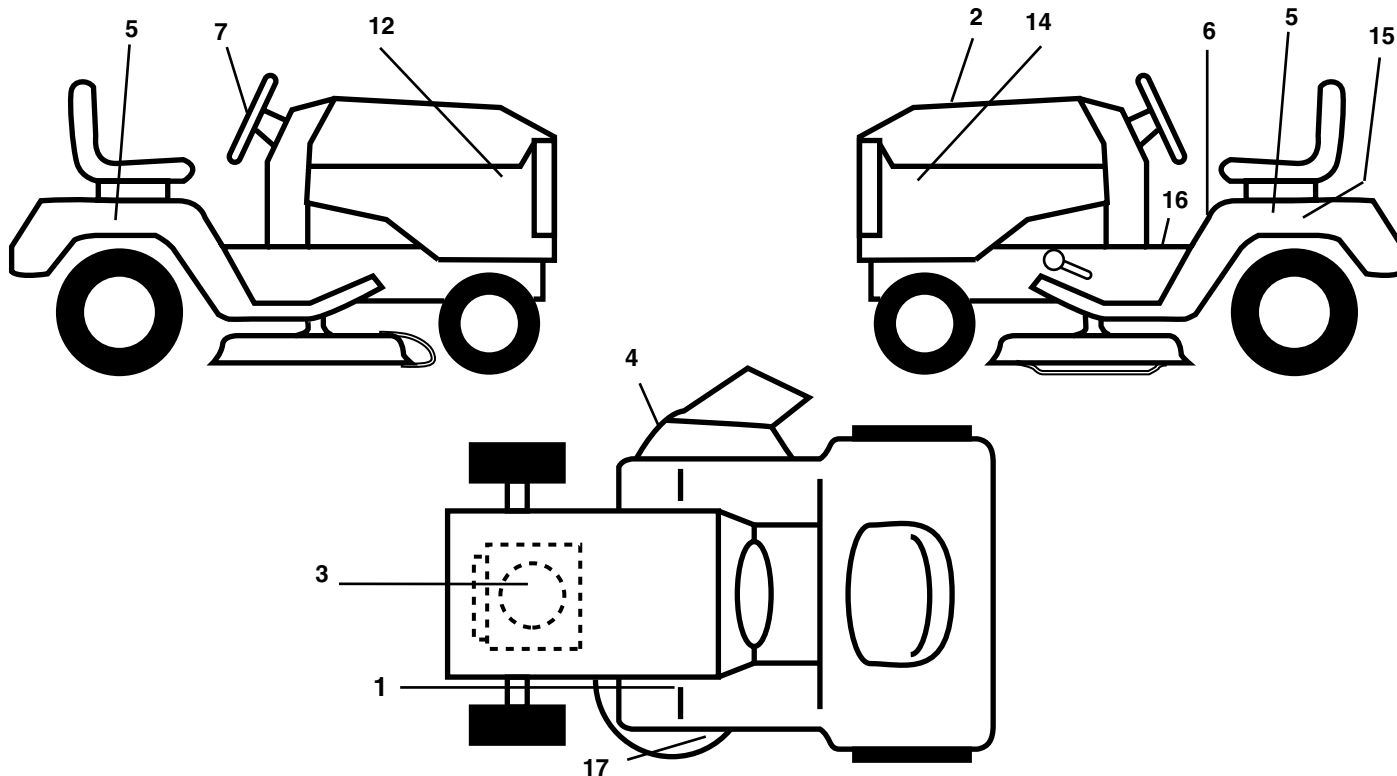
MFG ID NO. 96016000100

CUSTOMER CATALOG NO. HD13538

REPAIR PARTS

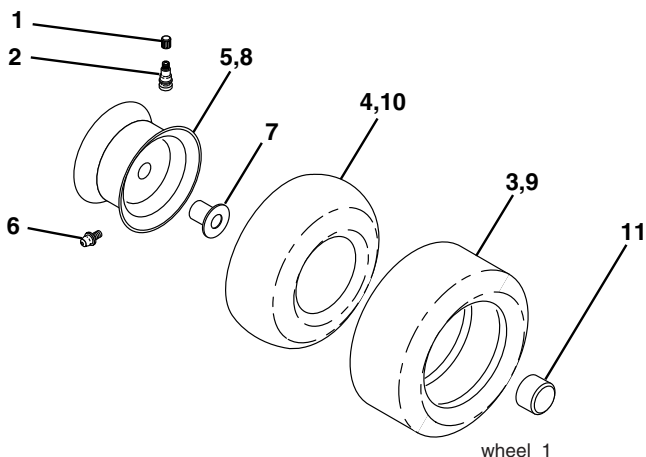
TRACTOR - - MODEL NUMBER HD13538 (96016000100)

DECALS



KEY NO.	PART NO.	DESCRIPTION	KEY NO.	PART NO.	DESCRIPTION
1	181251	Decal, Clutch/Brake Eng/Fr	12	195380	Decal, Hood RH
2	194986	Decal, Replacement	14	195381	Decal, Hood LH
3	189455	Decal, Engine HP	15	145005	Decal, Caution, Battery
4	170563	Decal Warning	16	193864	Decal, Oper Sdl P/L Gear Dr Eng
5	195979	Decal 5-Speed	17	136832	Decal, V-Belt Sch.
6	157140	Decal, Fender Danger English	--	138311	Decal, Handle Lft Height Adj.
7	195382	Decal Ins Str Wh	--	195383	Manual, Operator's (E&F)
			--	195384	Manual, Parts (E&F)

WHEELS & TIRES

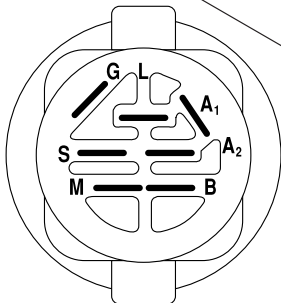
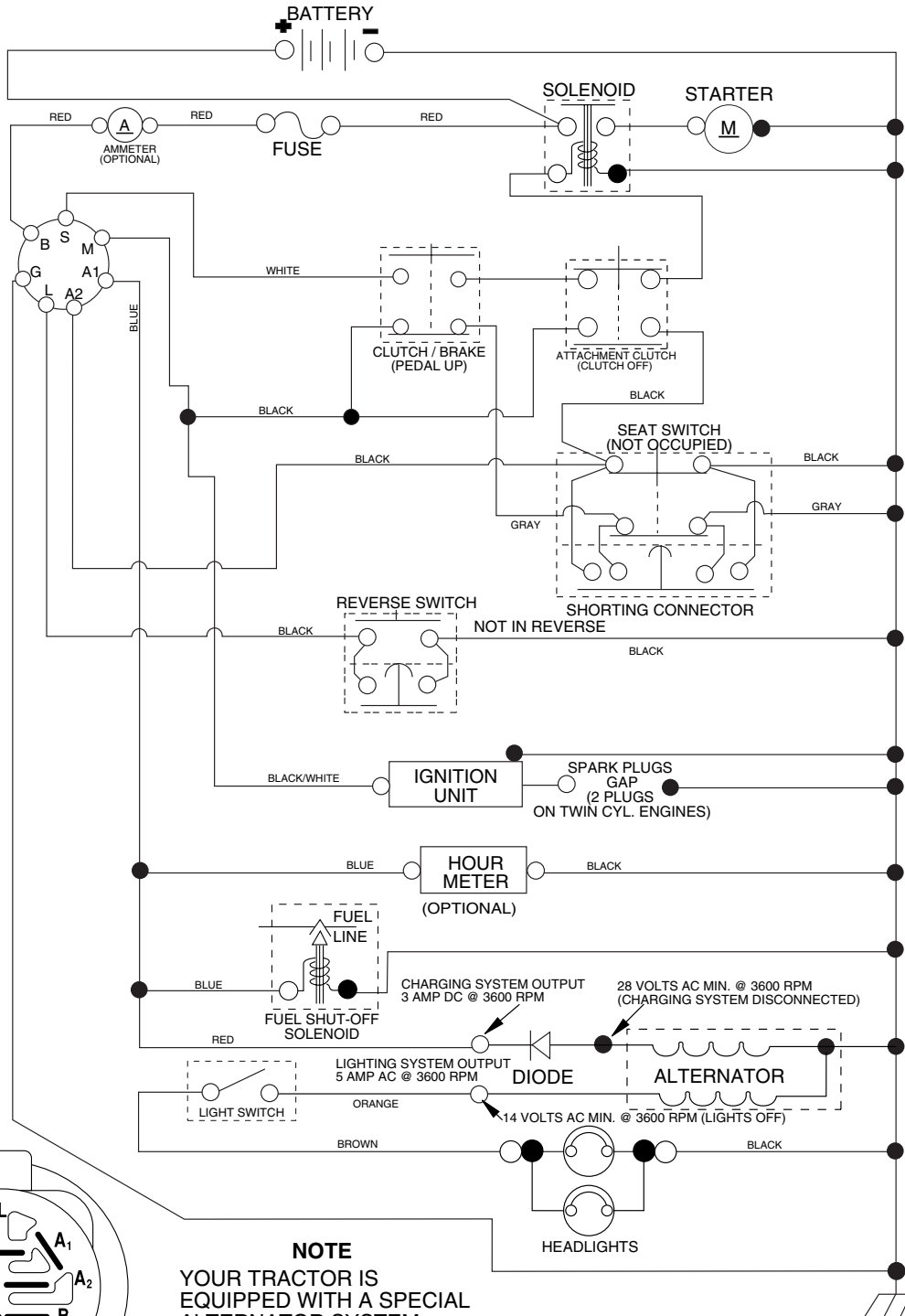


KEY NO.	PART NO.	DESCRIPTION
1	59192	Cap, Tire valve
2	65139	Stem, Valve
3	124157X	Tire, Front
4	59904	Tube, Front (Service item only)
5	106732X624	Rim assembly, 6"front
6	278H	Fitting, Grease (Front wheel only)
7	9040H	Bearing, Flange (Front wheel only)
8	106108X624	Rim assembly, 8" rear
9	123969X	Tire, Rear
10	7152J	Tube, Rear (Service item only)
11	104757X428	Cap, Hub Axle
--	144334	Sealant, Tire (10 oz. Tube)

NOTE: All component dimensions given in U.S. inches
1 inch = 25.4 mm

TRACTOR - - MODEL NUMBER HD13538 (96016000100)

SCHEMATIC



IGNITION SWITCH

POSITION	CIRCUIT "MAKE"
OFF	M+G+A1
RUN/OVERRIDE	B+A1
RUN	B+A1 L+A2
START	B + S + A1

NOTE
 YOUR TRACTOR IS EQUIPPED WITH A SPECIAL ALTERNATOR SYSTEM. THE LIGHTS ARE NOT CONNECTED TO THE BATTERY, BUT HAVE THEIR OWN ELECTRICAL SOURCE. BECAUSE OF THIS, THE BRIGHTNESS OF THE LIGHTS WILL CHANGE WITH ENGINE SPEED. AT IDLE THE LIGHTS WILL DIM. AS THE ENGINE IS SPEEDED UP, THE LIGHTS WILL BECOME THEIR BRIGHTEST.

02836



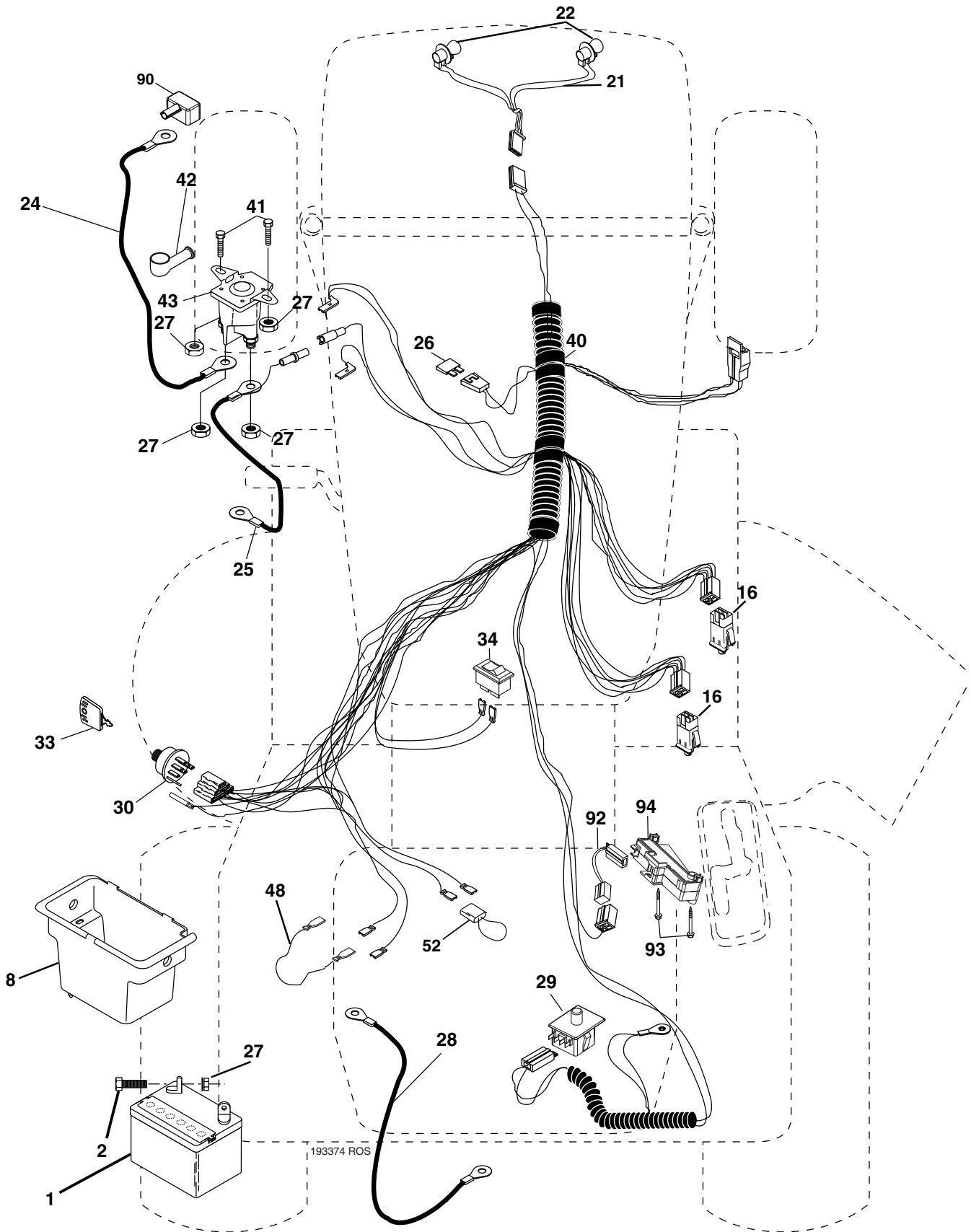
WIRING INSULATED CLIPS

NOTE: IF WIRING INSULATED CLIPS WERE REMOVED FOR SERVICING OF UNIT, THEY SHOULD BE REPLACED TO PROPERLY SECURE YOUR WIRING.

REPAIR PARTS

TRACTOR -- MODEL NUMBER HD13538 (96016000100)

ELECTRICAL



REPAIR PARTS

TRACTOR - - MODEL NUMBER HD13538 (96016000100)

ELECTRICAL

KEY NO.	PART NO.	DESCRIPTION
1	163465	Battery
2	74760412	Bolt Hex Hd 1/4-20 unc x 3/4
8	176689	Box Battery
16	176138	Switch Interlock
21	175688	Harness Asm Light W/4152j
22	4152J	Bulb Light #1156
24	4799J	Cable Battery 6 Ga. 11"red
25	146147	Cable Battery
26	175158	Fuse 20 AMP
27	73510400	Nut Keps Hex 1/4-20 unc
28	4207J	Cable Ground 6 Ga. 12" Black
29	192749	Switch Seat
30	193350	Switch Ign
33	140401	Key Ign
34	110712X	Switch Light/Reset
40	193374	Harness Ign
41	71110408	Bolt Blk Fin Hex 1/4-20
42	131563	Cover Terminal Red
43	178861	Solenoid
48	140844	Adapter Ammeter
52	141940	Protection Wire Loop
90	180449	Cover Terminal Battery
92	193465	Harness Pigtail Reverse Switch
93	192540	Screw Plastite 10-14 x 2.0
94	191834	Module Reverse ROS

NOTE: All component dimensions given in U. S. inches 1 inch = 25.4 mm.

REPAIR PARTS

TRACTOR - - MODEL NUMBER HD13538 (96016000100)

CHASSIS

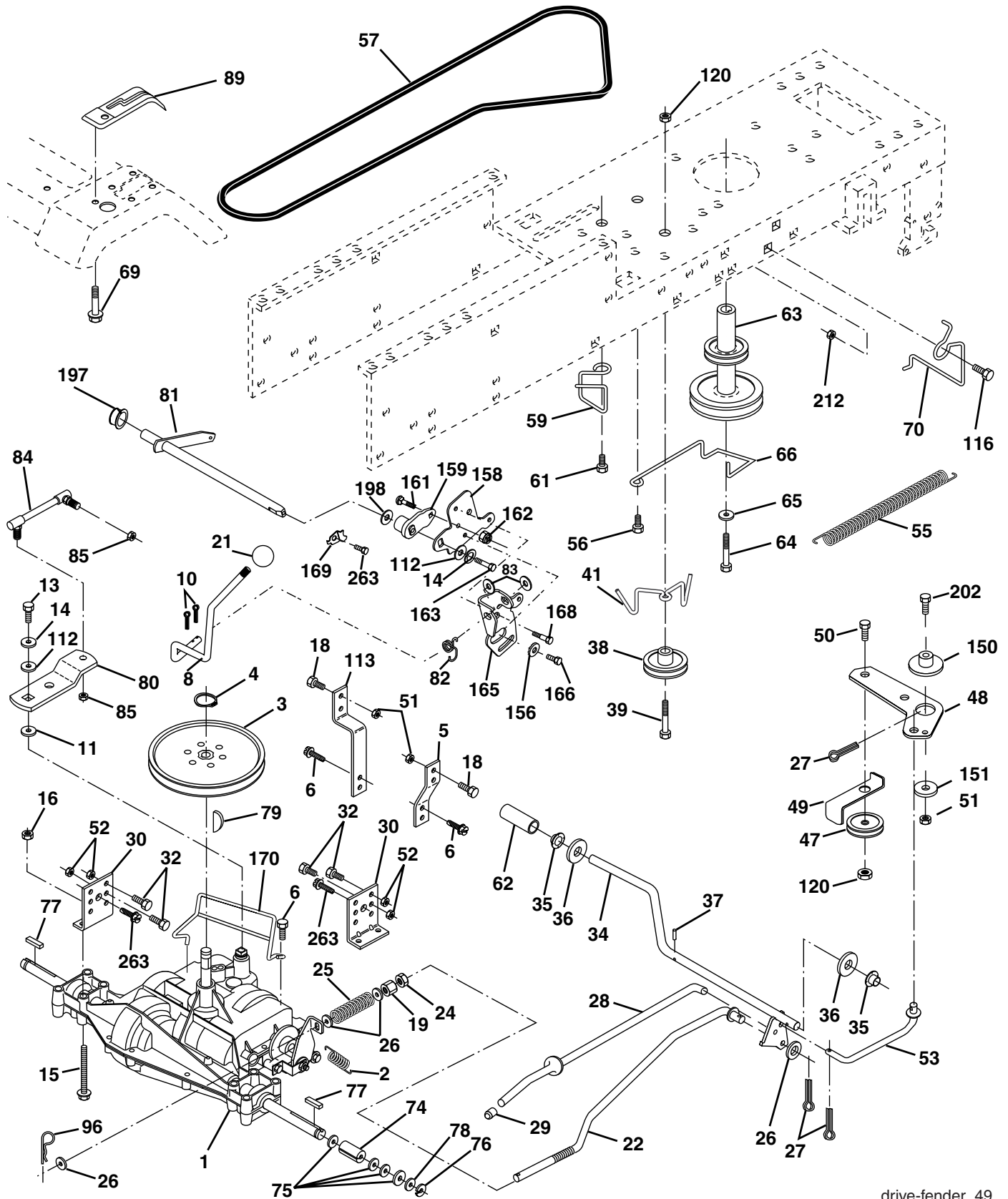
KEY NO.	PART NO.	DESCRIPTION
1	174620	Chassis
2	176554	Drawbar, Stretch
5	155272	Bumper, Hood/Dash
6	184419	Saddle
8	155138	Clip Retainer Slide-On
9	193518X013	Dash
10	72140608	Bolt, Carriage 3/8-16 x 1
11	174996	Panel Dash LH
13	172105X010	Panel Silkscr Dash RH
15	74180512	Screw Mach TRHD 5/16-18 unc x 3/4
16	73510500	Nut Keps 5/16-18 unc
17	187559X550	Hood
18	184921	Bumper Hood
24	74780616	Bolt Fin Hex 3/8-16 unc x 1 Gr. 5
25	19131312	Washer 13/32 x 13/16 x 12 Ga.
26	73800600	Nut Lock Hex w/Ins 3/8-16 unc
28	187598	Grille/Lens Asm. (Include Key Nos. 29 and 212)
29	187567X599	Lens Grille Bar
30	192525X550	Fender
31	136619	Bracket Fender Repl 109873X
33	179716X550	Footrest Pnt LH
34	179717X550	Footrest Pnt RH
35	72110606	Bolt Rdhd Sht Sqnk 3/8-16 x 3/4
37	17490508	Screw Thdrol 5/16-18 x 1/2 TYT
38	175710	Bracket Asm. Pivot Mower
39	187568	Bracket Pivot
145	156524	Rod Pivot Chassis/Hood
205	17490608	Screw Thdrol 3/8-16 x 1/2
206	170165	Bolt Shoulder 5/16-18
208	17670608	Screw Thdrol 3/8-16 x 1/2
209	17000612	Screw Hex Wsh Thdrol 3/8-16
212	183823	Insert Lens Reflect
278	191611	Screw 10 x 3/4 Single Lead Hex
---	5479J	Plug Button Blk 359 Dia Choke
--	187801	Plug Dome Plastic

NOTE: All component dimensions given in U.S. inches
1 inch = 25.4 mm.

REPAIR PARTS

TRACTOR - - MODEL NUMBER HD13538 (96016000100)

DRIVE



drive-fender_49

REPAIR PARTS**TRACTOR - - MODEL NUMBER HD13538 (96016000100)****DRIVE**

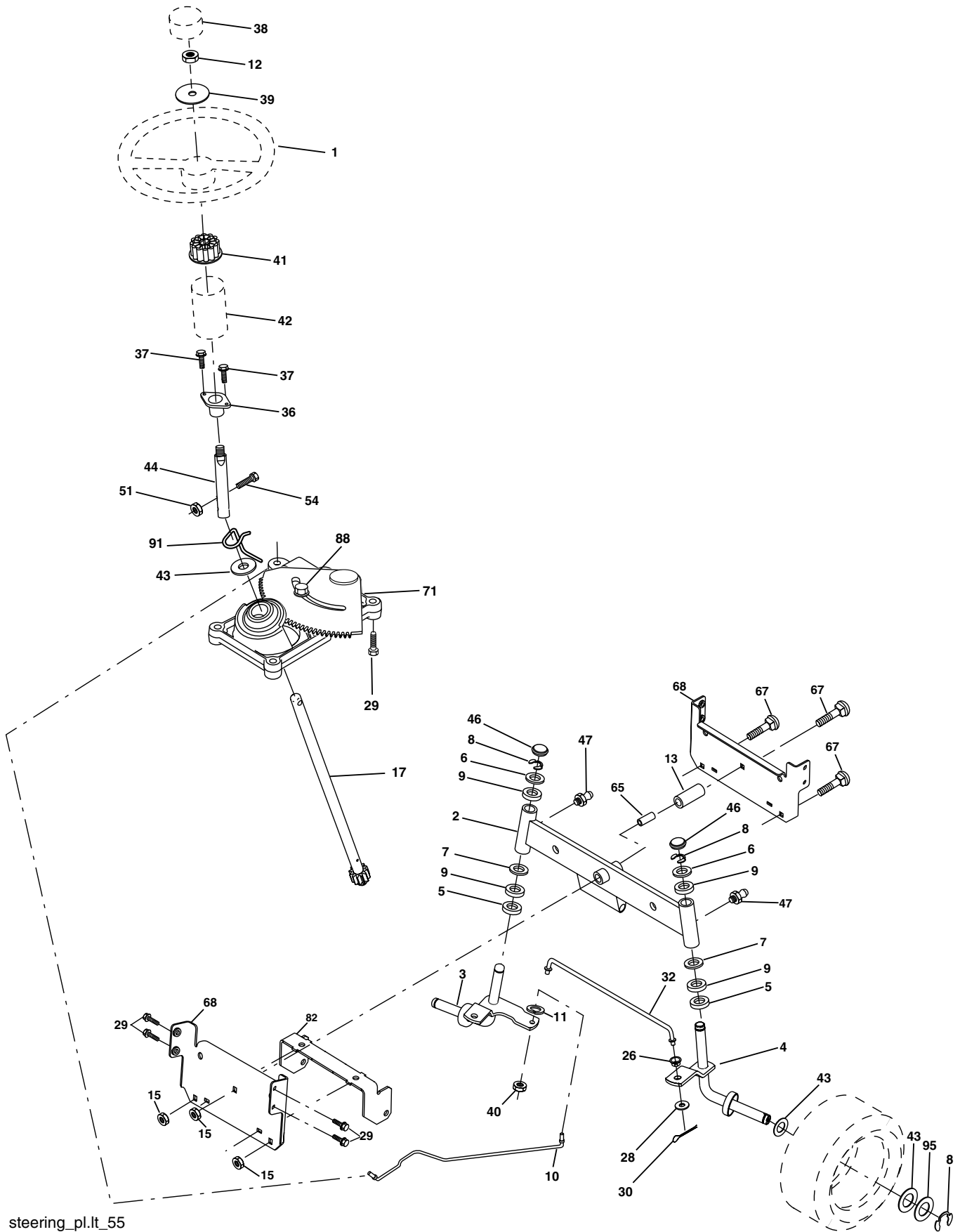
KEY NO.	PART NO.	DESCRIPTION	KEY NO.	PART NO.	DESCRIPTION
1	-----	Transaxle Peerless Model 205-544C (Order parts from transaxle manufacturer)	62	8883R	Cover Pedal Blk Round
2	146682	Spring Return Brake	63	175410	Engine Pulley LT/YT
3	123666X	Pulley Transaxle 18"tires	64	173937	Bolt Hex 7/16-20 x 4 Gr. 5
4	12000028	Ring Retainer # 5100-62	65	10040700	Washer Lock Hvy Hlcl Spr 7/16
5	121520X	Strap Torque 30 Degrees RH	66	154778	Keeper Belt Engine
6	17000512	Screw 5/16-18 x 3/4	69	142432	Screw 1/4 x 1/2 unc
8	192706	Rod Shifter Blk	70	134683	Guide Belt Mower Drive RH
10	76020416	Pin Cotter 1/8 x 1 Cad	74	137057	Spacer Axle
11	105701X	Washer Plate Shf 388 Sq Hole	75	121749X	Washer 25/32 x 1 1/4 x 16 Ga.
13	74550412	Bolt 1/4-28 unf Gr. 8 w/Patch	76	12000001	E-ring #5133-75
14	10040400	Washer Lock Hvy Helical 1/4	77	123583X	Key Square 2 0 x 1845/ 1865
15	74490544	Bolt Hex Flghd 5/16-18 Gr. 5	78	121748X	Washer 25/32 x 1-5/8 x 16 Ga.
16	73800500	Nut 5/16-18	79	2228M	Key Woodruff
18	74780616	Bolt Fin Hex 3/8-16 unc x 1 Gr. 5	80	131486	Arm Shift Transaxle
19	73800600	Nut lock Hex w/Ins 3/8-16 Unc	81	165594	Shaft Asm Cross Taper
21	106933X	Knob Rd 1/2-13 Plstc Thds Blk	82	165711	Spring Torsion Shift
22	130804	Rod Brake LT	83	19171216	Washer 17/32 x 3/4 x 16 Ga.
24	73350600	Nut Hex Jam 3/8-16 unc	84	166228	Link Transaxle
25	106888X	Spring Rod Brake 2 00 Zinc	85	150360	Nut Lock Center 1/4-28
26	19131316	Washer 13/32 x 13/16 x 16 Ga.	89	192753	Console Shift
27	76020412	Pin Cotter 1/8 x 3/4 Cad	96	4497H	Retainer Spring 1"
28	175765	Rod Brake Parking LT/YT	112	19091210	Washer 9/32 x 3/4 x 10 Ga.
29	71673	Cap Brake Parking Black	113	127285X	Strap Torque 90 Degrees LH
30	174973	Bracket Transmission	116	72140608	Bolt Rdhd Sq Neck 3/8-16 x 1
32	74760512	Bolt Fin Hex 5/16-18 x 3/4	120	73900600	Nut Lock Flg 3/8-16
34	175578	Shaft Asm Pedal Foot Nibbed	150	175456	Spacer Retainer Lt
35	120183X	Bearing Nylon Blk 629 Id	151	19133210	Washer 13/32 x 2 x 10 Ga.
36	19211616	Washer 21/32 x 1 x 16 Ga.	156	166002	Washer Srrrtd 5/16 ID x 1.0 x .125
37	1572H	Pin Roll 3/16 x 1"	158	165589	Bracket Shift Mount
38	179114	Pulley Composite Flat	159	183900	Hub Shift
39	72110622	Bolt 3/8-16 x 2-3/4	161	72140406	Bolt 1/4-20 x 3/4 Gr. 5
41	175556	Keeper Belt Idler	162	73680400	Nut Crownlock 1/4-20 unc
47	127783	Pulley Idler V Groove Plastic	163	74780416	Bolt Hex Fin 1/4-20 unc x 1 Gr. 5
48	154407	Bellcrank Clutch Grnd Drv STL	165	165623	Bracket Pivot Lever
49	123205X	Retainer Belt Style Spring	166	17490510	Screw 5/16-18 x 5/8
50	72110612	Bolt Carr Sh 3/8-16 x 1-1/2 Gr. 5	168	165492	Bolt Shoulder 5/16-18 x .561
51	73680600	Nut Crownlock 3/8-16 unc	169	165581	Plate Fastening
52	73680500	Nut Crownlock 5/16-18 unc	170	187414	Keeper, Belt Transaxle
53	105710X	Link Clutch 7 66	197	169613	Nyliner Snap-In 5/8
55	105709X	Spring Return Clutch 6 75	198	169845	Washer Nylon
56	17060620	Screw 3/8-16 x 1-1/4	202	72110614	Bolt Carr Sh 3/8-16 x 1-3/4 Gr. 5
57	130801	V-Belt Ground Drive 95	212	145212	Nut Hex Flg Lock
59	169691	Keeper Belt Chassis Span Ctr	263	17000612	Screw 3/8-16 x 3/4
61	17120614	Screw 3/8-16 x .875			

NOTE: All component dimensions given in U.S. inches
1 inch = 25.4 mm

REPAIR PARTS

TRACTOR - - MODEL NUMBER HD13538 (96016000100)

STEERING



steering_pl.lt_55

REPAIR PARTS**TRACTOR - - MODEL NUMBER HD13538 (96016000100)****STEERING**

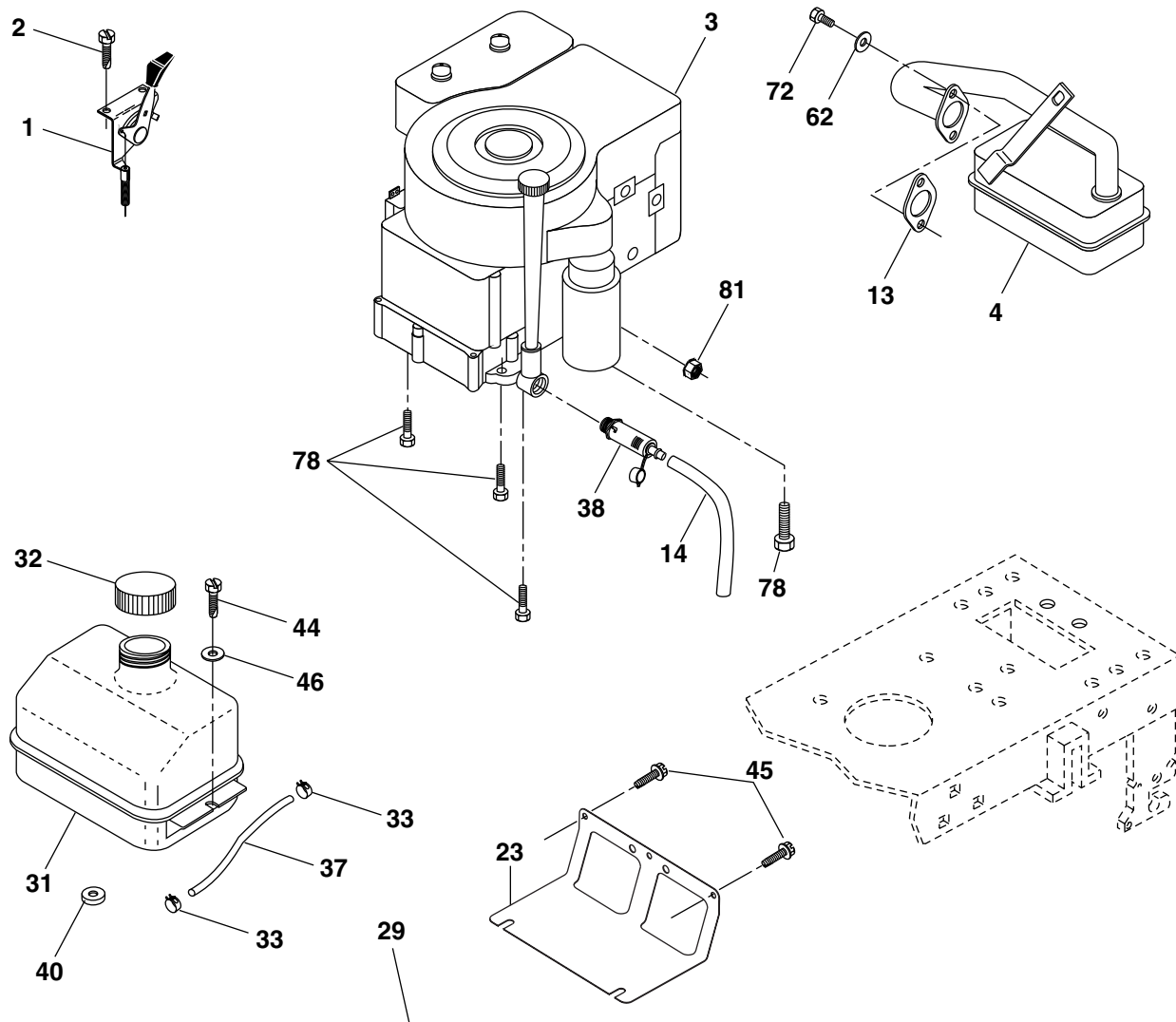
KEY NO.	PART NO.	DESCRIPTION
1	186780	Wheel Steering
2	175131	Axle Asm
3	169840	Spindle Asm LH
4	169839	Spindle Asm RH
5	6266H	Bearing Race Thrust Harden
6	121748X	Washer 25/32 x 1-5/8 x 16 Ga.
7	19272016	Washer 27/32 x 1-1/4 x 16 Ga.
8	12000029	Ring Klip #t5304-75
9	3366R	Bearing Col Strg Blk
10	175121	Link Drag
11	10040600	Washer Lock Hvy Hlcl Spr 3/8
12	73940800	Nut Hex Jam Toplock 1/2-20
13	136518	Spacer earing Axle Front
15	145212	Hexflange Lock
17	180641	Shaft Asm Strg
26	126847X	Bushing Link Drag Blk LR
28	19131416	Washer 13/32 x 7/8 x 16 Ga.
29	17000612	Screw 3/8-16 x 3/4
30	76020412	Pin Cotter 1/8 x 3/4 Cad
32	192757	Rod Tie Wire Form 19 75 Mech
36	155099	Bushing Strg 5/8 Id Dash
37	152927	Screw
38	192916	Cap Wheel Steer
39	19183812	Washer 9/16 x 2-3/8
40	73540600	Nut Crownlock 3/8-24
41	186737	Adaptor Wheel Strg
42	145054X428	Boot Dash Mtl Steering Blk
43	121749X	Washer 25/32 x 1 1/4 x 16 Ga.
44	180640	Extension Steering
46	121232X	Cap Spindle Fr Top Blk
47	183226	Fitting Grease
51	73540400	Nut 1/4-28
54	71130420	Bolt Hex 1/4-28 x 1-1/4
65	160367	Spacer Brace Axle
67	72110618	Bolt RDHD SQNK 3/8-16 x 2-1/4
68	169827	Brace Axle
71	175146	Steering Asm.
82	169835	Bracket Susp Chassis Front
88	175118	Bolt Shoulder 7/16-20
91	175553	Clip Steering
95	188967	Washer Harden .793 x 1.637 x 060

NOTE: All component dimensions given in U.S. inches
1 inch = 25.4 mm.

REPAIR PARTS

TRACTOR - - MODEL NUMBER HD13538 (96016000100)

ENGINE



OPTIONAL EQUIPMENT
Spark Arrester

engine-bs.1cyl_49

KEY NO.	PART NO.	DESCRIPTION
1	170551	Control Th/ch Flag
2	17720408	Screw Hex Thd Cut 1/4-20 x 1/2
3	-----	Engine, B&S 21B807 (Order parts from engine manufacturer)
4	179758	Muffler Exhaust B&S
13	165291	Gasket Eng 1 313 Id Tin Plated
14	148456	Tube Drain Oil Easy
23	169837	Shield BRN/DBR Guard
29	137180	Kit Spark Arrester (Flat Scrn)
31	187750	Tank Fuel Front
32	140527	Cap Asm Fuel
33	123487X	Clamp Hose
37	137040	Line Fuel 20"
38	181654	Plug Drain Oil
40	124028X	Bushing Snap Nyl Blk Fuel Line

KEY NO.	PART NO.	DESCRIPTION
44	17670412	Screw Thdrol 1/4-20 x 3/4
45	17000612	Screw Hex Wsh Thdrol 3/8-16
46	19091416	Washer 9/32 x 7/8 x 16 Ga.
62	10040500	Washer Lock 5/16
72	71070512	Screw Hex Head Cap 5/16-18 x 3/4
78	17060620	Screw 3/8-16 x 1-1/4
81	73510400	Nut Keps Hex 1/4-20 unc

NOTE: All component dimensions given in U.S. inches
1 inch = 25.4 mm

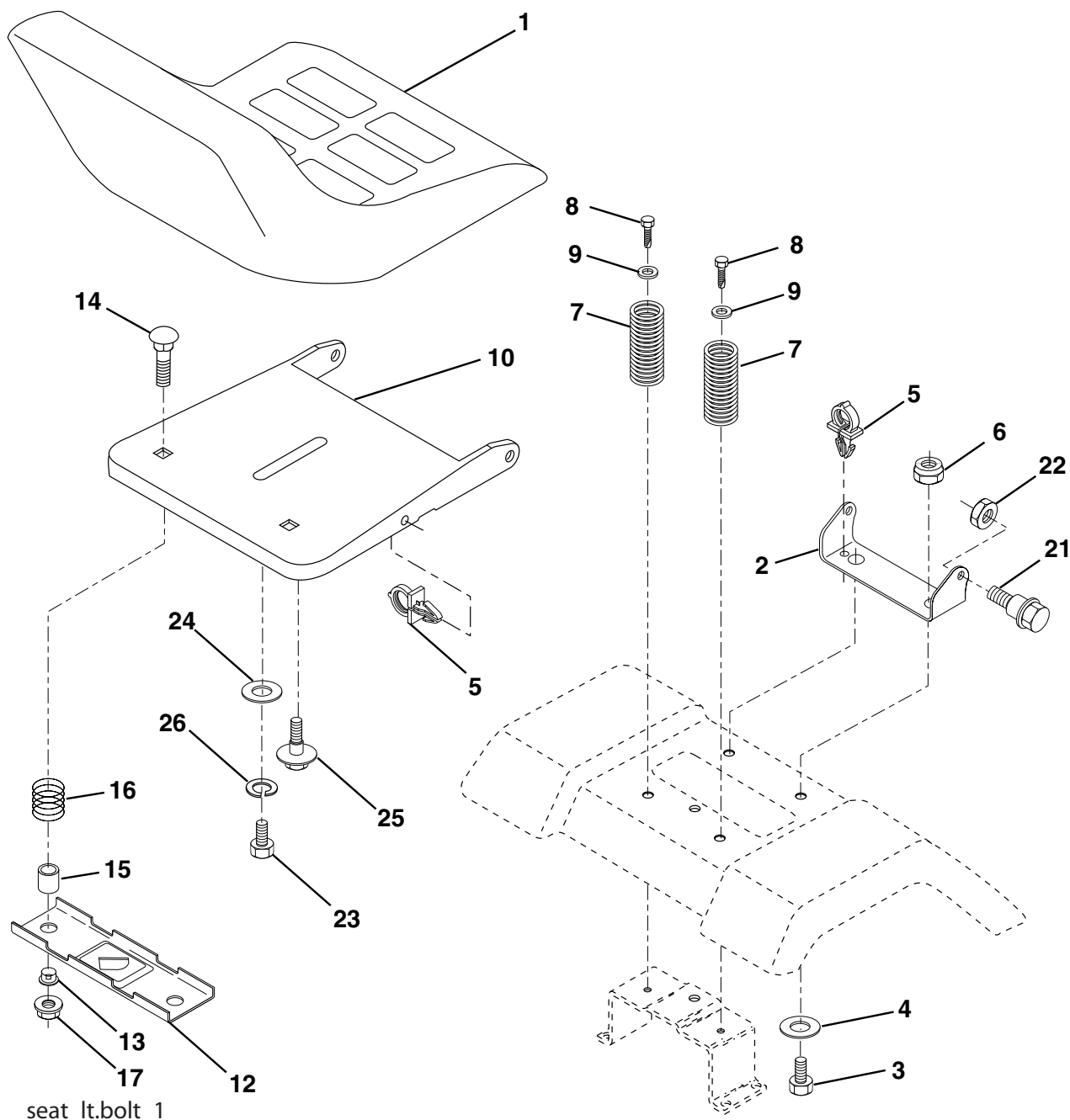
For engine service and replacement parts, call the toll free number for your engine manufacturer listed below:

Briggs & Stratton	1-800-233-3723
Kohler Co.	1-800-544-2444
Tecumseh Products	1-800-558-5402
Honda Engines	1-800-426-7701
Kawasaki	1-949-460-5688

REPAIR PARTS

TRACTOR - - MODEL NUMBER HD13538 (96016000100)

SEAT



seat_lt.bolt_1

KEY NO.	PART NO.	DESCRIPTION
1	175389	Seat
2	140551	Bracket Seat Pivot
3	71110616	Bolt Hex 3/8 - 16 x 1
4	19131610	Washer 13/32 x 1 x10 Ga.
5	145006	Clip Push-In Hinged
6	73800600	Nut Lock Hex w/Ins 3/8 - 16
7	124181X	Spring Seat Cprsn 2 250 Blk Zi
8	17000616	Screw 3/8-16 x 1.5
9	19131614	Washer 13/32 x 1 x 14 Ga.
10	182493	Pan Pnt Seat (Blk)
12	174648	Bracket Pnt Mounting Switch
13	121248X	Bushing Snap Blk Nyl

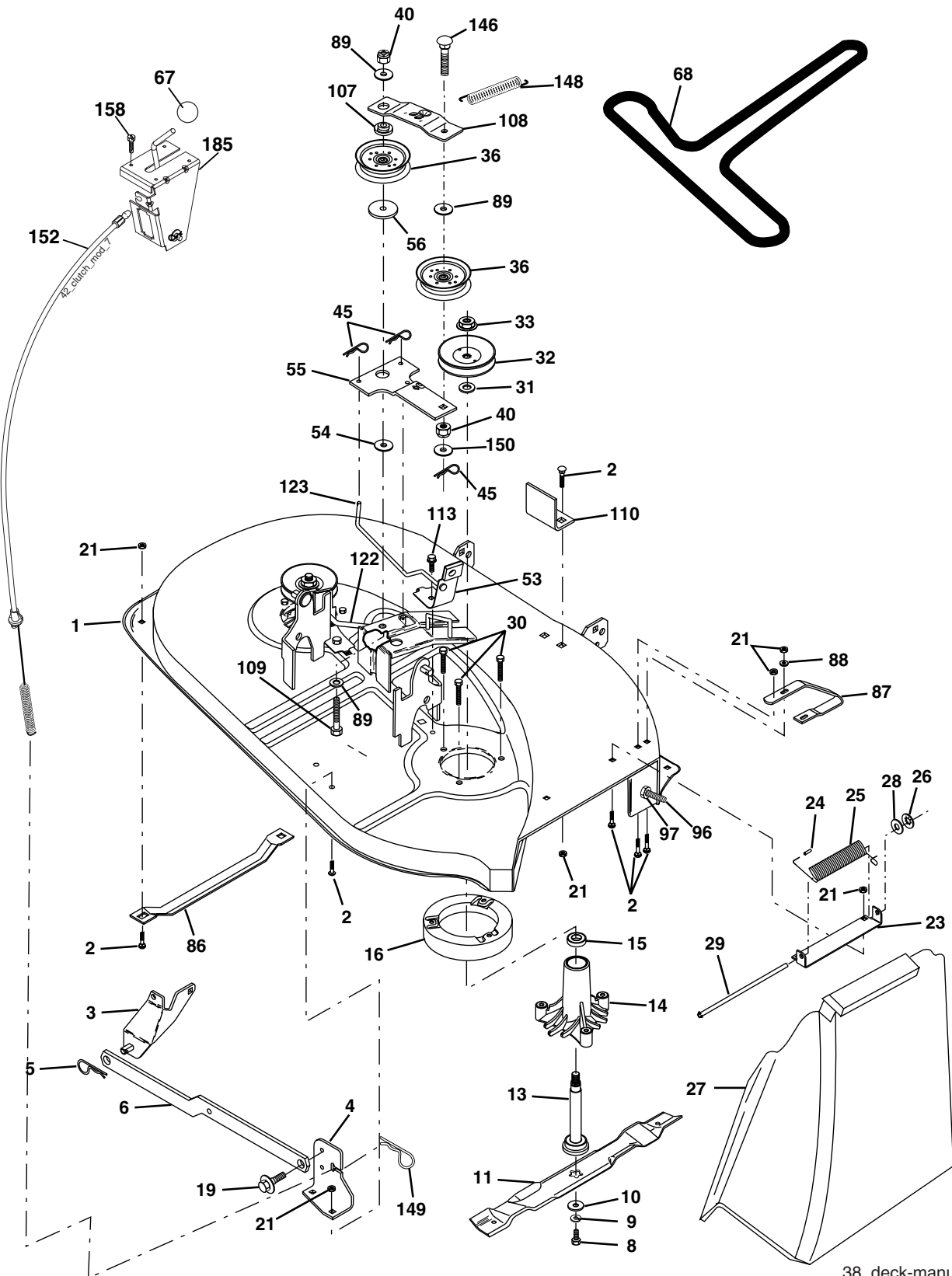
KEY NO.	PART NO.	DESCRIPTION
14	72050412	Bolt Rdhd Sht Nk 1/4 - 20 x 1 -1/2
15	134300	Spacer Split .28 x .96
16	121250X	Spring Cprsn
17	123976X	Nut Lock 1/4 Lge Flg
21	171852	Bolt Shoulder 5/16-18 unc-2A
22	73800500	Nut Lock Hex w/Ins 5/16 - 18
23	71110814	Bolt Hex
24	19171912	Washer 17/32 x 1-3/16 x 12 Ga.
25	127018X	Bolt Shoulder 5/16-18 x .62
26	10040800	Washer Lock Hvy Hlcl Spr 1/2

NOTE: All component dimensions given in U.S. inches
1 inch = 25.4 mm.

REPAIR PARTS

TRACTOR - - MODEL NUMBER HD13538 (96016000100)

MOWER DECK



38_deck-manual_2

REPAIR PARTS**TRACTOR - - MODEL NUMBER HD13538 (96016000100)****MOWER DECK**

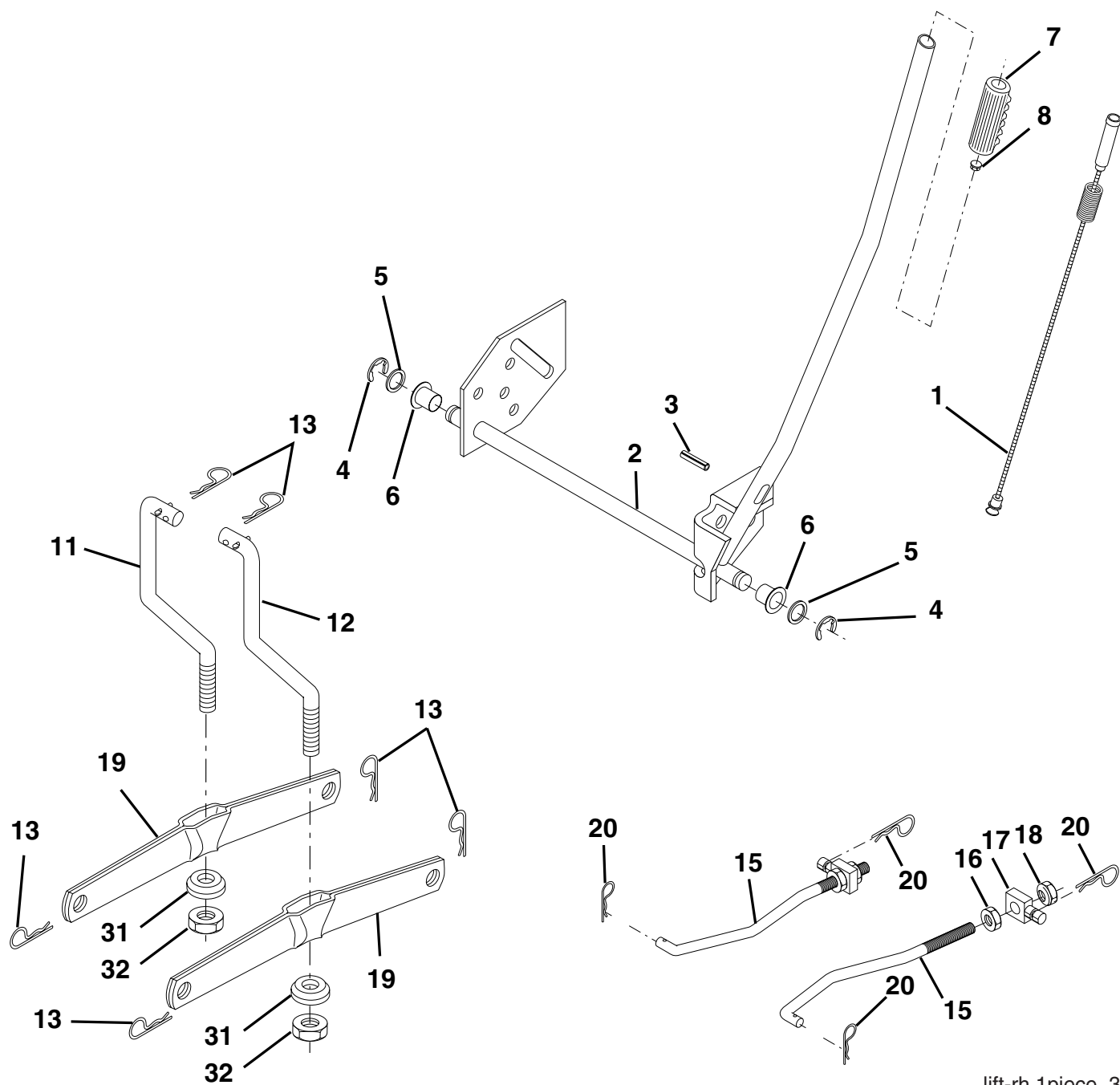
KEY NO.	PART NO.	DESCRIPTION	KEY NO.	PART NO.	DESCRIPTION
1	170280	Mower Housing Assembly	54	178515	Washer, Hardened
2	72140506	Bolt Carriage 5/16-18 x 3/4	55	133840	Idler Arm Assembly
3	138017	Bracket Asm Fr. Sway Bar	56	165723	Spacer, Retainer
4	169970	Bracket Deck Sway Bar 38"/42"	67	106932X	Knob
5	4939M	Retainer Spring	68	144200	V-Belt, 42" Mower
6	178024	Bar Sway Deck	86	7631J	Runner, LH
8	850857	Bolt 3/8-24 x 1.25 Gr. 8	87	128772	Runner, RH
9	10030600	Washer, Lock 3/8	88	19111216	Washer 11/32 x 3/4 x 16 Ga.
10	140296	Washer, Hardened	89	19131311	Washer 13/32 x 13/16 x 11 Ga.
11	138497	Blade Mower	96	74930620	Bolt 3/8-16 x 1-1/4 Mulcher
13	137645	Shaft Assembly, Mandrel, Vented (Includes Key Number 6)	97	73930600	Nut Centerlock 3/8-16 unc
14	128774	Housing, Mandrel, Vented	107	133502	Spacer Retainer
15	110485X	Bearing, Ball, Mandrel	108	133503	Stiffener, Idler Arm
16	174493	Stripper, Vented Mower Deck	109	74760640	Bolt, Hex Hd 3/8-16 x 2-1/2
19	132827	Bolt, Shoulder	110	142587	Upstop Deck Front 38"
21	73680500	Nut	113	17060512	Screw 5/16-1/ x 3/4
23	137607	Bracket, Mower Deflector	122	131289	Rod, Brake LH
24	105304X	Cap, Sleeve	123	169971	Rod, Brake RH
25	123713X	Spring, Torsion, Deflector	146	165891	Bolt Carriage Idler
26	110452X	Nut, Push	148	169022	Spring Return Idler
27	106736X428	Shield, Deflector	149	165898	Retainer Spring Yellow
28	19111016	Washer 11/32 x 5/8 x 16 Ga.	150	19091216	Washer 9/32 x 3/4 x 16 Ga.
29	106735X	Rod, Hinge	152	172758	Clutch Cable 38"/46"
30	173984	Screw Thdrol.	158	17720408	Screw Hex Thd Cut 1/4-20 x 1/2
31	187690	Washer, Spacer	185	188234	Head Asm Cable Clutch
32	153532	Pulley, Mandrel	--	130794	Mandrel Assembly (Includes Housing, Shaft and Shaft Hardware Only - Pulley Not Included)
33	178342	Nut, Toplock	--	170317	Replacement Mower, Complete
36	131494	Pulley, Idler, Flat			
40	73680600	Nut, Crownlock 3/8-16 unc			
45	4497H	Retainer			
53	130840	Brake Assembly			

NOTE: All component dimensions given in U.S. inches
1 inch = 25.4 mm

REPAIR PARTS

TRACTOR - - MODEL NUMBER HD13538 (96016000100)

MOWER LIFT



lift-rh.1piece_3

KEY NO.	PART NO.	DESCRIPTION
1	159460	Wire Asm Inner/Sprg w/plunger
2	159471	Shaft Asm Lift RH
3	105767X	Pin Groove 1 500 Zinc
4	12000002	E Ring #5133-62
5	19211621	Washer 21/32 x 1 x 21 Ga.
6	120183X	Bearing Nylon Blk 629 Id
7	109413X	Grip Handle Bicycle Matte Blk
8	124526X	Button Plunger Black
11	139865	Link Lift LH Fixed Length
12	139866	Link Lift RH Fixed Length
13	4939M	Retainer Spring

KEY NO.	PART NO.	DESCRIPTION
15	173288	Link Front
16	73350800	Nut Jam Hex 1/2-13 unc
17	175689	Trunnion
18	73800800	Nut Lockw/Wsh 1/2-13 unc
19	139868	Arm Suspension Rear
20	163552	Retainer, Spring
31	169865	Bearing Pvt Lift
32	73540600	Nut Crownlock 3/8-24

NOTE: All component dimensions given in U.S. inches
1 inch = 25.4 mm.