

ILLUSTRATED PARTS LIST

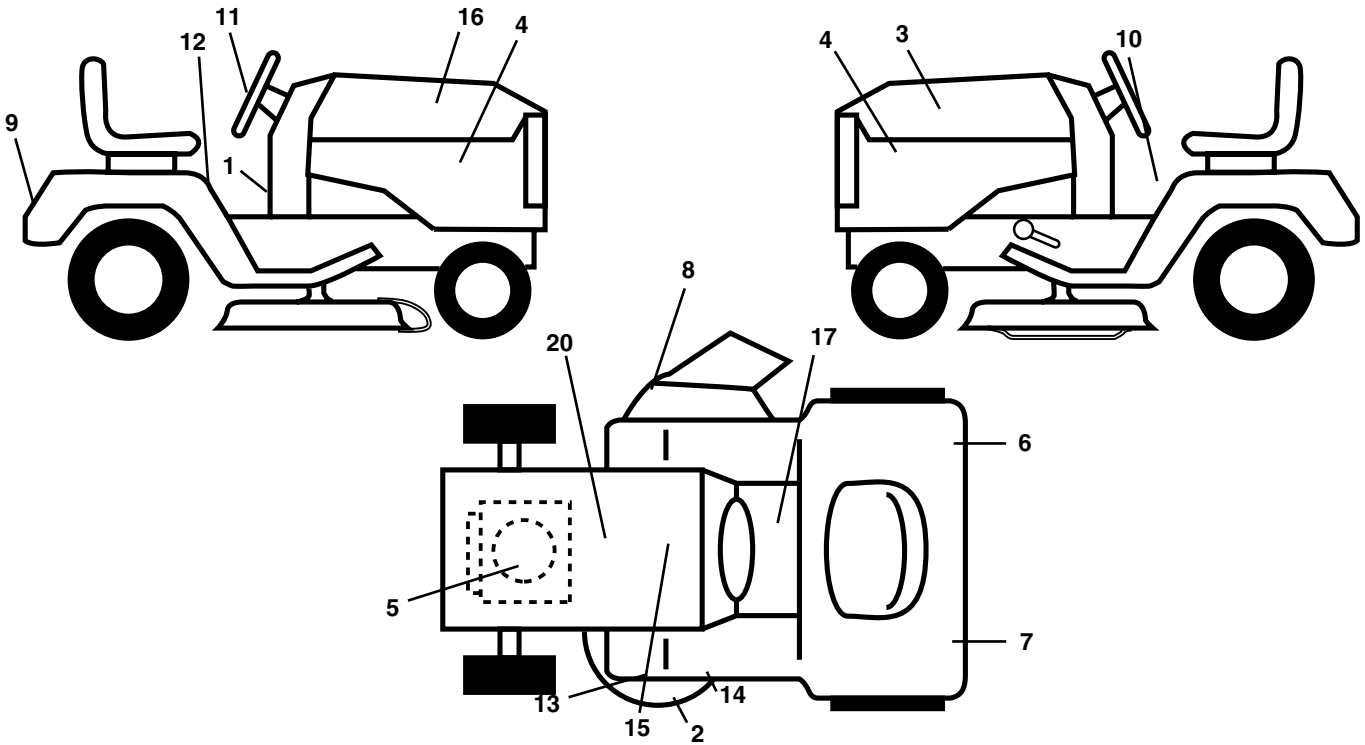
MODEL NO. 96012003900

CUSTOMER CATALOG NO. XT24H48YT

REPAIR PARTS

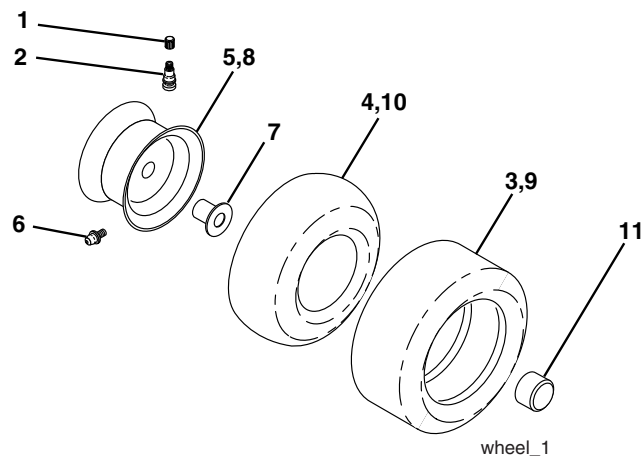
TRACTOR - MODEL NUMBER XT24H48YT (96012003900)

DECALS



| KEY NO. | PART NO. | DESCRIPTION | KEY NO. | PART NO. | DESCRIPTION |
|---------|----------|-------------------------|---------|------------|------------------------|
| 1 | 191076 | Decal Dash | 12 | 193939 | Decal Fender Oper |
| 2 | 178482 | Decal Heavy Duty | 13 | 178502 | Decal Deck Caution |
| 3 | 196672 | Decal Hood LH | 14 | 175291 | Decal V-Belt Schematic |
| 4 | 196676 | Decal Side Panel | 15 | 196230 | Decal Replacement |
| 5 | 195549 | Decal Engine | 16 | 196671 | Decal Hood Rh |
| 6 | 187408 | Decal Reflector Rh | 17 | 193939 | Decal Fender Operator |
| 7 | 187407 | Decal Reflector Lh | 20 | 145005 | Decal Bat Dan/Psn |
| 8 | 170563 | Decal Warning Mower | -- | 166960 | Decal By Pass |
| 9 | 196674 | Decal Fender Logo | -- | 184310X428 | Pad Footrest Lh |
| 10 | 157140 | Decal Fender Danger E/F | -- | 184311X428 | Pad Footrest Rh |
| 11 | 196673 | Decal Ins Strg Whl | -- | 196712 | Manual, Operator's E&F |
| | | | -- | 196713 | Manual, Parts E&F |

WHEELS & TIRES

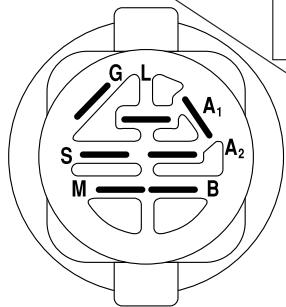
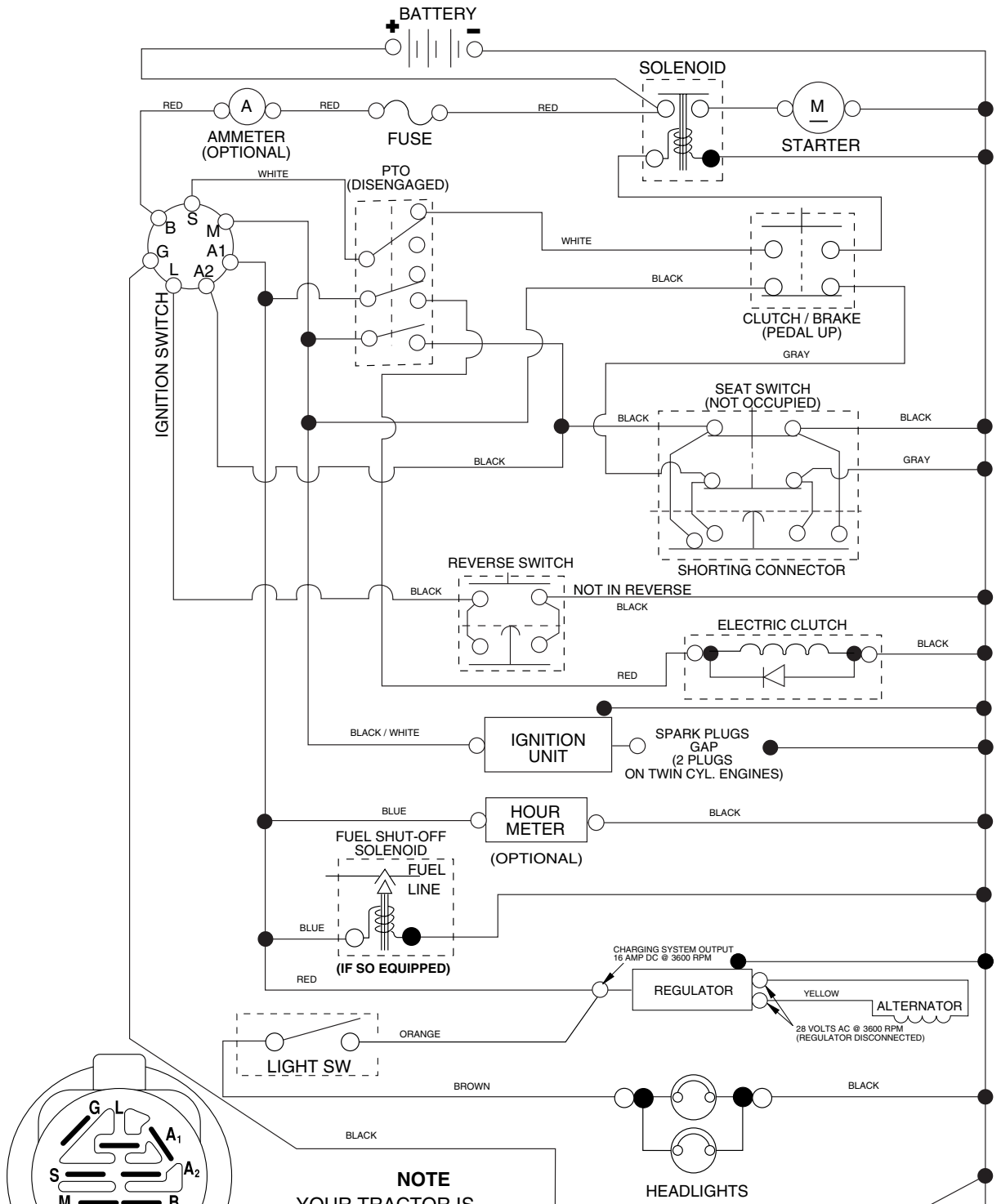


| KEY NO. | PART NO. | DESCRIPTION |
|---------|------------|-----------------------------------|
| 1 | 59192 | Cap Valve Tire |
| 2 | 65139 | Stem Valve |
| 3 | 106222X | Tire F T 15 x 6 0 - 6 Service |
| 4 | 59904 | Tube Front (Service Item Only) |
| 5 | 106732X624 | Rim Asm 6"front Service |
| 6 | 278H | Fitting Grease (Front Wheel Only) |
| 7 | 9040H | Bearing Flange (Front Wheel Only) |
| 8 | 106108X624 | Rim Asm 8"rear Service |
| 9 | 138468 | Tire R T 20 x 8-8 C Service |
| 10 | 7152J | Tube Rear (Service Item Only) |
| 11 | 104757X428 | Cap Axle 1 50 x 1 00 |
| -- | 144334 | Sealant, Tire (10 oz. Tube) |

NOTE: All component dimensions given in U.S. inches
1 inch = 25.4 mm

TRACTOR - MODEL NUMBER XT24H48YT (96012003900)

SCHEMATIC

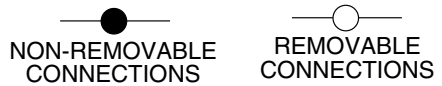


IGNITION SWITCH

| POSITION | CIRCUIT | "MAKE" |
|--------------|------------|--------|
| OFF | M+G+A1 | |
| RUN/OVERRIDE | B+A1 | |
| RUN | B+A1 | L+A2 |
| START | B + S + A1 | |

02833

NOTE
 YOUR TRACTOR IS EQUIPPED WITH A SPECIAL ALTERNATOR SYSTEM. THE LIGHTS ARE NOT CONNECTED TO THE BATTERY, BUT HAVE THEIR OWN ELECTRICAL SOURCE. BECAUSE OF THIS, THE BRIGHTNESS OF THE LIGHTS WILL CHANGE WITH ENGINE SPEED. AT IDLE THE LIGHTS WILL DIM. AS THE ENGINE IS SPEEDED UP, THE LIGHTS WILL BECOME THEIR BRIGHTEST.

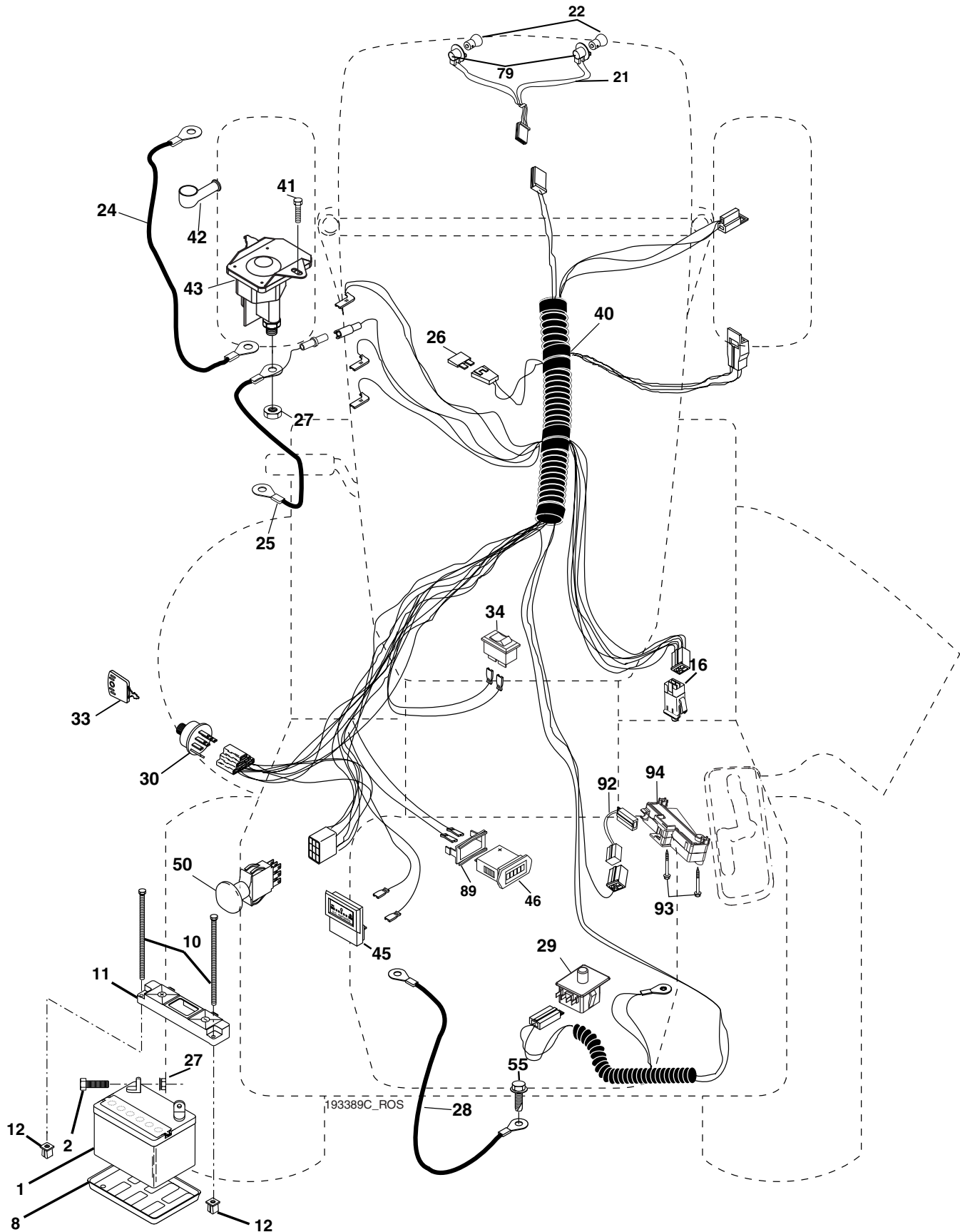


WIRING INSULATED CLIPS
NOTE: IF WIRING INSULATED CLIPS WERE REMOVED FOR SERVICING OF UNIT, THEY SHOULD BE REPLACED TO PROPERLY SECURE YOUR WIRING.

REPAIR PARTS

TRACTOR - MODEL NUMBER XT24H48YT (96012003900)

ELECTRICAL



REPAIR PARTS

TRACTOR - MODEL NUMBER XT24H48YT (96012003900)

ELECTRICAL

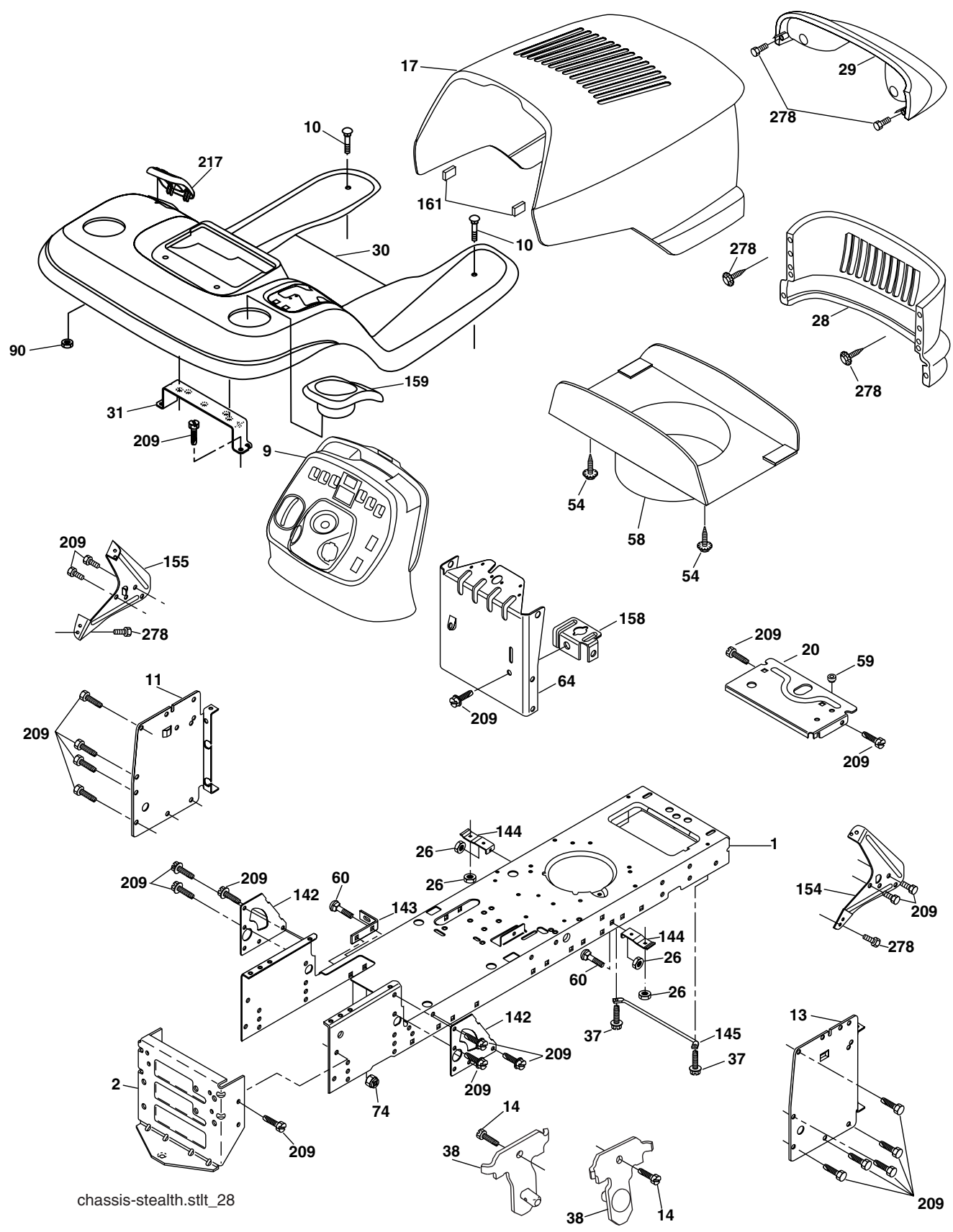
| KEY NO. | PART NO. | DESCRIPTION |
|---------|----------|--------------------------------|
| 1 | 144927 | Battery |
| 2 | 74760412 | Bolt Hex Hd 1/4-20 unc x 3/4 |
| 8 | 7603J | Tray, Battery |
| 10 | 145211 | Bolt, BTR FRT 1/4-20 x 7.5 |
| 11 | 150109 | Hold Down Battery, Front |
| 12 | 145769 | Nut, Push, Nylon |
| 16 | 176138 | Switch Interlock Push-In |
| 21 | 175688 | Harness Asm Light W/Bulbs |
| 22 | 4152J | Bulb Light |
| 24 | 8860R | Cable Starter |
| 25 | 146148 | Cable Battery |
| 26 | 175158 | Fuse |
| 27 | 73510400 | Nut Keps Hex 1/4-20 unc |
| 28 | 145491 | Cable Ground |
| 29 | 192749 | Switch Seat |
| 30 | 193350 | Switch Ign |
| 33 | 140401 | Key Ign |
| 34 | 110712X | Switch Light/Reset |
| 40 | 193389 | Harness Ign. |
| 41 | 17720408 | Screw Thd Cut 1/4-20 x 1/2 |
| 42 | 131563 | Cover Terminal |
| 43 | 192507 | Solenoid |
| 45 | 122822X | Ammeter Rectangular |
| 46 | 169635 | Hourmeter Snap-In |
| 50 | 174652 | Switch, PTO |
| 55 | 17490508 | Screw Thdrol 5/16-18 x 1/2 |
| 79 | 175242 | Bulbholder |
| 89 | 169639 | Bracket Snap-In Hourmeter |
| 92 | 193465 | Harness Pigtail Reverse Switch |
| 93 | 192540 | Screw Plastite 10-1/4 x 2.0 |
| 94 | 191834 | Module Reverse Switch |

NOTE: All component dimensions given in U.S. inches.
1 inch = 25.4 mm.

REPAIR PARTS

TRACTOR - MODEL NUMBER XT24H48YT (96012003900)

CHASSIS AND ENCLOSURES



chassis-stealth.stlt_28

REPAIR PARTS**TRACTOR - MODEL NUMBER XT24H48YT (96012003900)****CHASSIS AND ENCLOSURES**

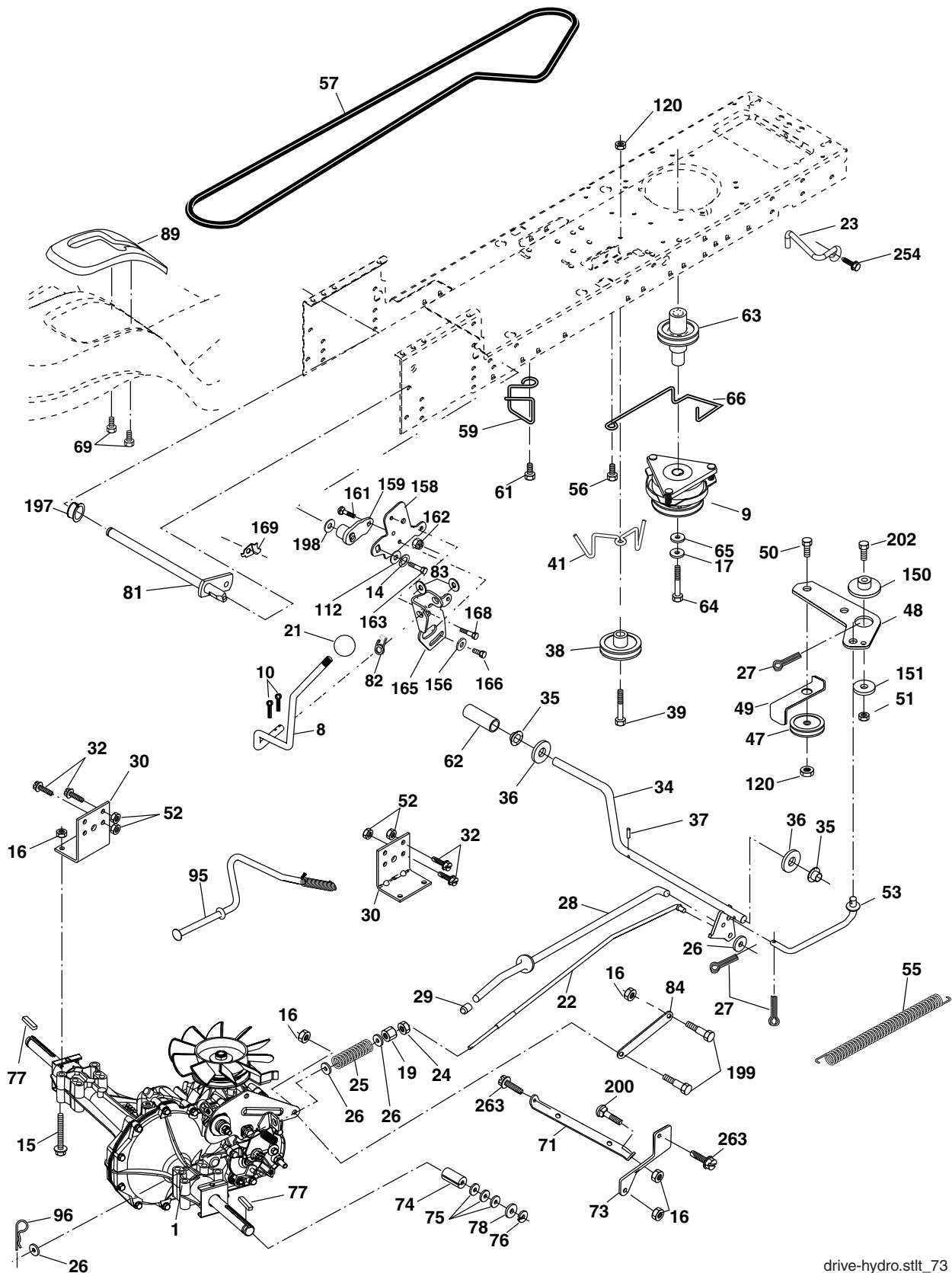
| KEY NO. | PART NO. | DESCRIPTION |
|----------------|-----------------|----------------------------------|
| 1 | 174619 | Chassis |
| 2 | 176554 | Drawbar |
| 3 | 17060612 | Screw 3/8-16 x 3/4 |
| 9 | 193636X428 | Dash |
| 10 | 72140608 | Bolt 3/8-16 x 1 |
| 11 | 167203 | Panel Dash Lh |
| 13 | 178298 | Panel Dash Rh |
| 14 | 17490608 | Screw Thdrol 3/8-16 x 1/2 |
| 17 | 175260X505 | Hood |
| 20 | 162026 | Plate Battery |
| 26 | 73800600 | Nut Lock Hex W/Ins 3/8-16 unc |
| 28 | 175289X428 | Grille |
| 29 | 179761 | Light Asm. Bar |
| 30 | 192395X505 | Fender |
| 31 | 139976 | Bracket Fender |
| 37 | 17490508 | Screw Thdrol 6/16-18 x 1/2 TYT |
| 38 | 175710 | Bracket, Asm. Pivot Mower Rear |
| 54 | 192512 | Screw Wshd Hex 10-32 x 5/8 |
| 58 | 175351 | Duct Hood |
| 59 | 187495 | Bushing Snap |
| 60 | 72140606 | Bolt RdHd Sqnk 3/8-16 unc x 3/4 |
| 64 | 174997 | Dash Lower |
| 74 | 73680600 | Nut Crownlock 3/8-16 unc |
| 90 | 124346X | Nut Self-Thd Wsh-Hd 1/4 Zinc |
| 142 | 175702 | Plate Reinforcement STLT |
| 143 | 186689 | Bracket Swaybar Chassis |
| 144 | 175582 | Bracket Footrest |
| 145 | 156524 | Rod Pivot Chassis/Hood |
| 154 | 161897 | Bracket Dash Rh |
| 155 | 161900 | Bracket Dash Lh |
| 158 | 162037 | Bracket Parking Brake |
| 159 | 191120X428 | Cupholder |
| 161 | 164655 | Extrusion Bumper |
| 209 | 17000612 | Screw Hexwsh Thdrol 3/8-16 x 3/4 |
| 213 | 169848X428 | Skirt Grille LH |
| 214 | 169847X428 | Skirt Grille RH |
| 217 | 179132X428 | Console Fuel Window |
| 278 | 191611 | Screw 10 x 3/4 Single Lead Hex |

NOTE: All component dimensions given in U.S. inches
1 inch = 25.4 mm

REPAIR PARTS

TRACTOR - MODEL NUMBER XT24H48YT (96012003900)

DRIVE



drive-hydro.stlt_73

REPAIR PARTS**TRACTOR - MODEL NUMBER XT24H48YT (96012003900)****DRIVE**

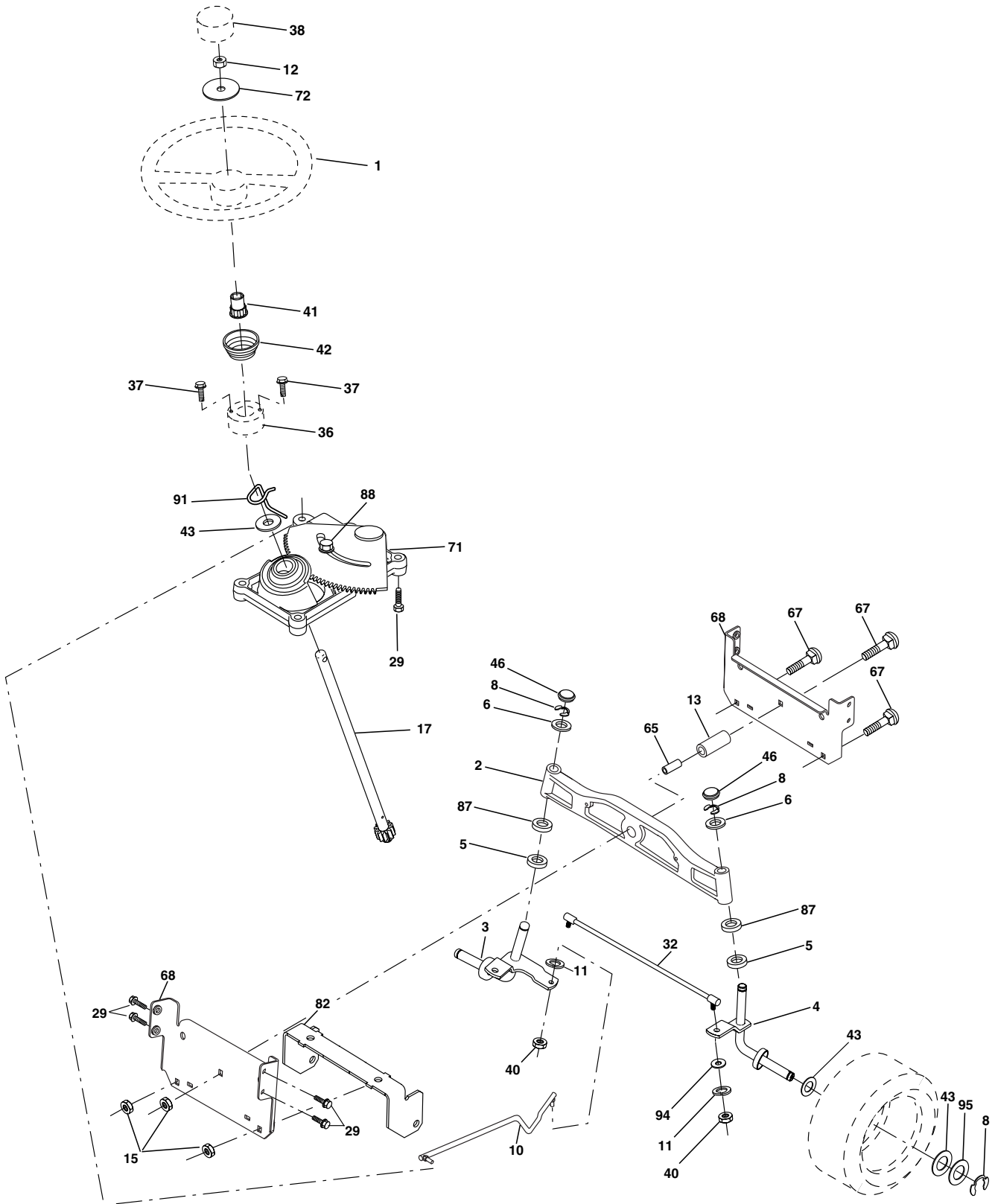
| KEY NO. | PART NO. | DESCRIPTION | KEY NO. | PART NO. | DESCRIPTION |
|----------------|-----------------|-----------------------------------|----------------|-----------------|-----------------------------------|
| 1 | ----- | Transaxle (See Breakdown) | 64 | 173937 | Bolt, Hex |
| | | Hydro Gear Model 314-0510 | 65 | 10040700 | Washer Lock Hvy Hlcl Spr. 7/16 |
| 8 | 192502 | Rod Shift | 66 | 154778 | Keeper Belt Engine |
| 9 | 179334 | Clutch Electric | 69 | 142432 | Screw |
| 10 | 76020416 | Pin Cotter 1/8 x 1 CAD | 71 | 169183 | Strap Torque Lh Hydro |
| 14 | 10040400 | Washer Lock Hvy. Helical | 73 | 169182 | Strap Torque Rh Hydro |
| 15 | 74490544 | Bolt, Hex FLGHD 5/16-18 Gr. 5 | 74 | 137057 | Spacer, Split |
| 16 | 73800500 | Nut Lock Hex W/Ins 5/16-18 unc P | 75 | 121749X | Washer 25/32 x 1-1/4 x 16 Ga. |
| 17 | 126197X | Washer 1-1/2 OD x 15/32 ID x 2.50 | 76 | 12000001 | E-Ring |
| 19 | 73800600 | Nut Lock Hex W/Wsh 3/8-16 unc | 77 | 123583X | Key, Square |
| 21 | 140845 | knob | 78 | 121748X | Washer 25/32 x 1-5/8 x 16 Ga. |
| 22 | 169498 | Rod, Brake Hydro | 81 | 165596 | Shaft Asm. Cross |
| 23 | 190736 | Bracket Anti-Rotation | 82 | 165711 | Spring Torsion |
| 24 | 73350600 | Nut Hex Jam 3/8-16 | 83 | 19171216 | Washer 17/32 x 3/4 x 16 Ga. |
| 25 | 106888X | Spring, Brake Rod | 84 | 169594 | Link, Transaxle |
| 26 | 19131316 | Washer | 89 | 192387X428 | Console, Shift |
| 27 | 76020412 | Pin Cotter 1/8 x 3/4 CAD. | 95 | 170201 | Control Asm Bypass Hydro |
| 28 | 175765 | Rod, Parking Brake | 96 | 4497H | Retainer Spring 1" Zinc/Cad |
| 29 | 71673 | Cap, Parking Brake | 112 | 19091210 | Washer 9/32 x 3/4 x 10 Ga. |
| 30 | 169592 | Bracket, Transaxle | 120 | 73900600 | Nut Lock Fig 3/8-16 unc |
| 32 | 74760512 | Bolt Hex Hd 5/16-18 unc x 3/4 | 151 | 19133210 | Washer 13/32 x 2 x 10 Ga. |
| 34 | 175578 | Shaft, Foot Pedal Nibbed | 150 | 175456 | Spacer Retainer |
| 35 | 120183X | Bearing, Nylon | 156 | 166002 | Washer Srrted 5/16 ID x 1 x .125 |
| 36 | 19211616 | Washer 21/32 x 1 x 16 Ga. | 158 | 165589 | Bracket Shift Mount |
| 37 | 1572H | Pin, Roll 3/16 x 1 | 159 | 183900 | Hub Shift |
| 38 | 179114 | Pulley, Idler, Composite | 161 | 72140406 | Bolt Rdhd Sqnk 1/4-20 x 3/4 Gr. 5 |
| 39 | 72110622 | Bolt 3/8-16unc x 2-3/4 | 162 | 73680400 | Nut Crownlock 1/4-20 unc |
| 41 | 175556 | Keeper, Belt Retainer | 163 | 74780416 | Bolt Hex Fin 1/4-20 unc x 1 Gr. 5 |
| 47 | 127783 | Pulley, Idler, V-Groove | 165 | 165623 | Bracket Pivot Lever |
| 48 | 154407 | Bellcrank Clutch Grnd Drv STL | 166 | 17490510 | Screw 5/16-18 x 5/8 |
| 49 | 123205X | Retainer, Belt | 168 | 165492 | Bolt Shoulder 5/16-18 x .561 |
| 50 | 72110612 | Bolt Carr Sh 3/8-16 x 1-1/2 Gr.5 | 169 | 165580 | Plate Fastening LT |
| 51 | 73680600 | Nut Crownlock 3/8-16 unc | 197 | 169613 | Nyliner Snap-In 5/8" ID |
| 52 | 73680500 | Nut Crownlock 5/16-18 unc | 198 | 169593 | Washer Nyl 7/8" ID x .105" |
| 53 | 105710X | Link, Clutch | 199 | 169612 | Bolt Shoulder 5/16-18 unc |
| 55 | 105709X | Spring, Return, Clutch | 200 | 72140508 | Bolt Rdhd Sqnk 5/16-18 unc x 1 |
| 56 | 17060620 | Screw 3/8-16 x 1.0 | 202 | 72110614 | Bolt 3/8-16 x 1-3/4 Gr. 5 |
| 57 | 140294 | V-Belt, Ground Drive | 254 | 17000616 | Screw 3/8-16 x 1 |
| 59 | 169691 | Keeper, Center Span | 263 | 17000612 | Screw 3/8-16 x .75 |
| 61 | 17120614 | Screw 3/8-16 x 3/4 | | | |
| 62 | 123533X | Cover, Pedal | | | |
| 63 | 174607 | Pulley, Engine | | | |

NOTE: All component dimensions give in U.S. inches.
1 inch = 25.4 mm

REPAIR PARTS

TRACTOR - MODEL NUMBER XT24H48YT (96012003900)

STEERING ASSEMBLY



steering_stealth_prem_6

REPAIR PARTS

TRACTOR - MODEL NUMBER XT24H48YT (96012003900)

STEERING ASSEMBLY

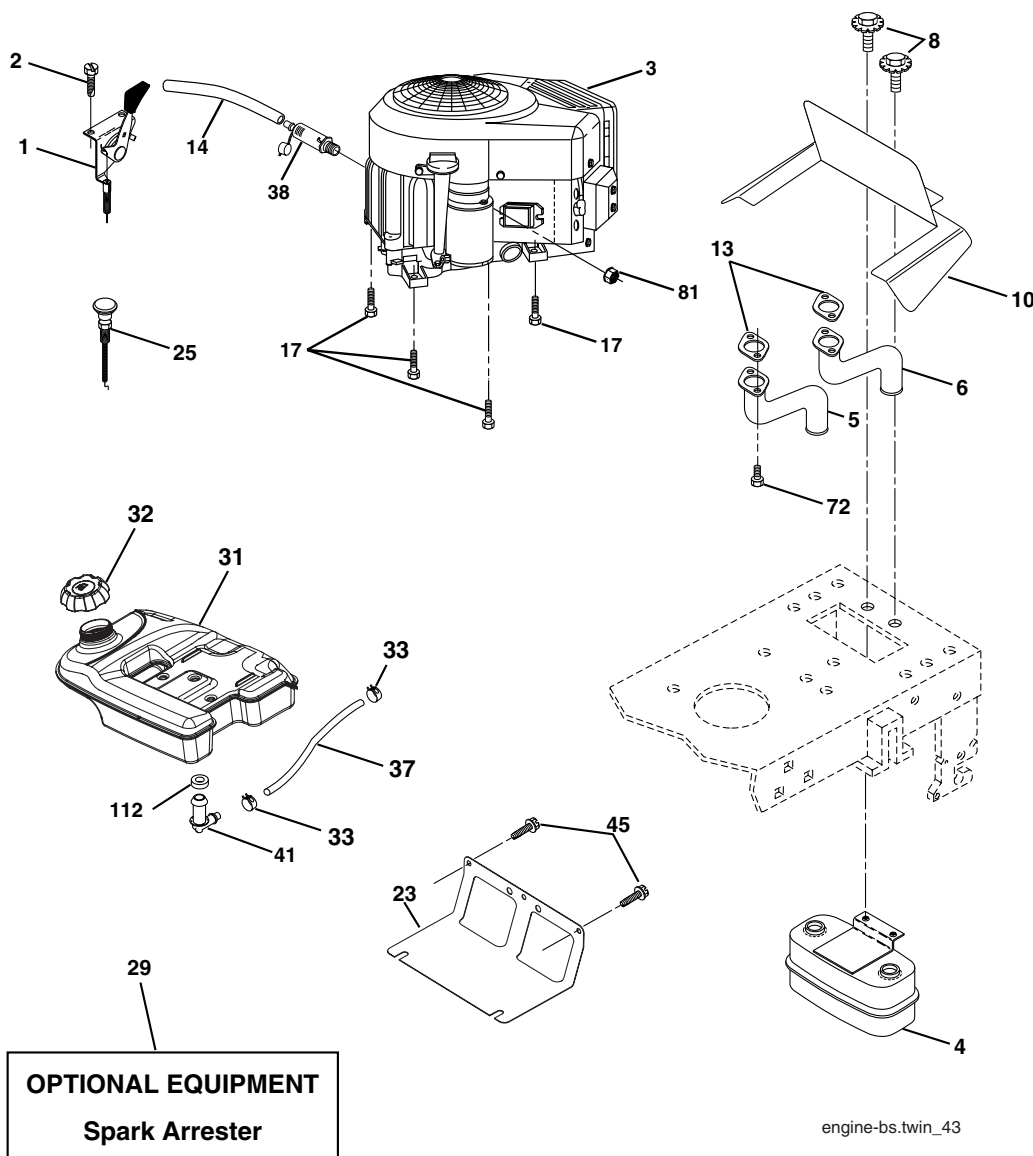
| KEY NO. | PART NO. | DESCRIPTION |
|---------|------------|----------------------------------|
| 1 | 186094X428 | Wheel Steering |
| 2 | 184706 | Axle |
| 3 | 169840 | Spindle Asm LH |
| 4 | 169839 | Spindle Asm RH |
| 5 | 6266H | Bearing Race Thrust Harden |
| 6 | 121748X | Washer 25/32 x 1-5/8 x 16 Ga. |
| 8 | 12000029 | Ring Klip #t5304-75 |
| 10 | 175121 | Link Drag |
| 11 | 10040600 | Washer Lock Hvy Hlcl Spr 3/8 |
| 12 | 73940800 | Nut Hex Jam Toplock 1/2-20 unf |
| 13 | 136518 | Spacer Brg Axle Front |
| 15 | 145212 | Nut Hex Flange Lock |
| 17 | 177883 | Shaft Asm Strg |
| 29 | 17000612 | Screw 3/8-16 x 3/4 |
| 32 | 180580 | Rod Tie |
| 36 | 155105 | Bushing Strg |
| 37 | 152927 | Screw TT #32.5 x 5 x 3/8 Flange |
| 38 | 186095X428 | Cap Wheel Steer |
| 40 | 73540600 | Nut Crownlock 3/8-24 |
| 41 | 186737 | Adaptor Wheel Strg |
| 42 | 163888X428 | Boot Steering |
| 43 | 121749X | Washer 25/32 x 1 1/4 x 16 Ga. |
| 46 | 121232X | Cap Spindle Fr Top Blk |
| 65 | 160367 | Spacer Brace Axle |
| 67 | 72110618 | Bolt Rdhd Sqn 3/8-16 x 2-1/4 |
| 68 | 169827 | Brace, Axle |
| 71 | 175146 | Steering Asm. |
| 72 | 19183812 | Washer 9/16 ID x 2-3/8 OD 12 Ga. |
| 82 | 169835 | Bracket Susp Chassis Front |
| 87 | 173966 | Washer Flat .781 x 1-1/2 x .14 |
| 88 | 175118 | Bolt Shoulder 7/16-20 unc |
| 91 | 175553 | Clip |
| 94 | 19121414 | Rod Tie |
| 95 | 188967 | Washer Hardened |

NOTE: All component dimensions given in U.S. inches.
1 inch = 25.4 mm.

REPAIR PARTS

TRACTOR - MODEL NUMBER XT24H48YT (96012003900)

ENGINE



engine-bs.twin_43

| KEY NO. | PART NO. | DESCRIPTION |
|---------|------------|---|
| 1 | 175439X428 | Control Throttle |
| 2 | 191611 | Screw 10 x 3/4 Single Lead-Hex |
| 3 | ----- | Engine, Briggs Model 446677 (Order parts from engine mfg.) |
| 4 | 149723 | Muffler Asm Twin Lo-Tone |
| 5 | 159955 | Pipe Exhaust LH |
| 6 | 160589 | Pipe Exhaust RH |
| 8 | 171877 | Bolt 5/16-18 unc x 3/4 w/Sems |
| 10 | 162797 | Shield |
| 13 | 165391 | Muffler Gasket (Order from Engine Mfgr.) |
| 14 | 148456 | Tube Drain Oil Easy |
| 17 | 17060624 | Screw Thdrol 3/8-16 x 1-1/2 |
| 23 | 169837 | Shield Heat |
| 25 | 187767X428 | Choke Control |
| 29 | 137180 | Kit Spark Arrestor (Flat Scrn) |
| 31 | 179022 | Tank Fuel 4.0 Rear |

| KEY NO. | PART NO. | DESCRIPTION |
|---------|------------|--------------------------------|
| 32 | 179124X428 | Cap Asm Fuel |
| 33 | 123487X | Clamp Hose Black |
| 37 | 8543R | Line Fuel |
| 38 | 181654 | Plug Drain Oil |
| 41 | 139277 | Stem Tank Fuel |
| 45 | 17000612 | Screw Hexwsh Thdr 3/8-16 x 3/4 |
| 72 | 183906 | Screw Socket Head 5/16-18 x 1 |
| 81 | 73510400 | Nut Keps Hex 1/4-20 unc |
| 112 | 3645J | Bushing |

NOTE: All component dimensions given in U.S. inches
1 inch = 25.4 mm

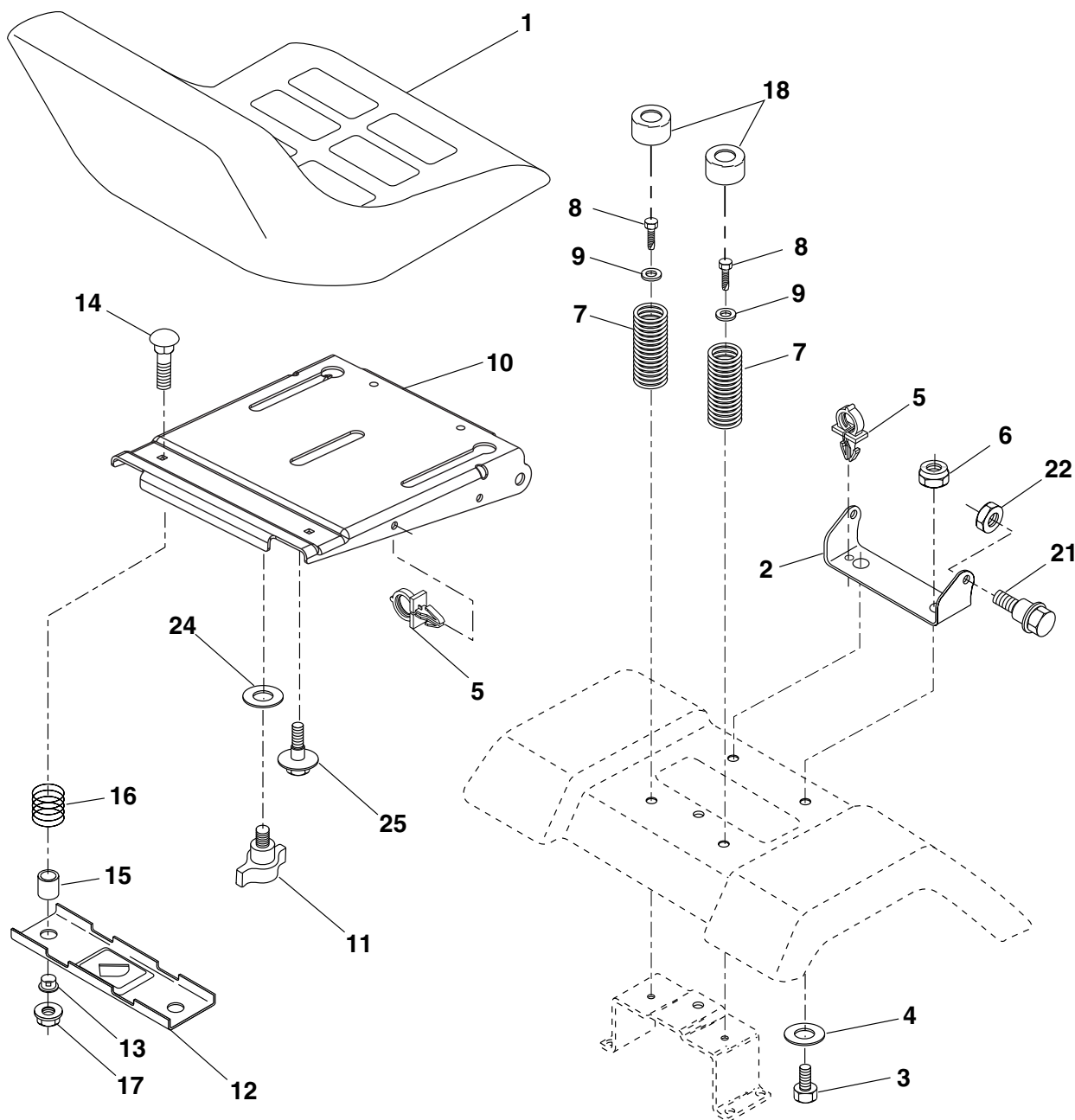
For engine service and replacement parts, call the toll free number for your engine manufacturer listed below:

| | |
|-------------------|----------------|
| Briggs & Stratton | 1-800-233-3723 |
| Kohler Co. | 1-800-544-2444 |
| Tecumseh Products | 1-800-558-5402 |
| Honda Engines | 1-800-426-7701 |
| Kawasaki | 1-949-460-5688 |

REPAIR PARTS

TRACTOR - MODEL NUMBER XT24H48YT (96012003900)

SEAT ASSEMBLY



seat_ft.knob_14

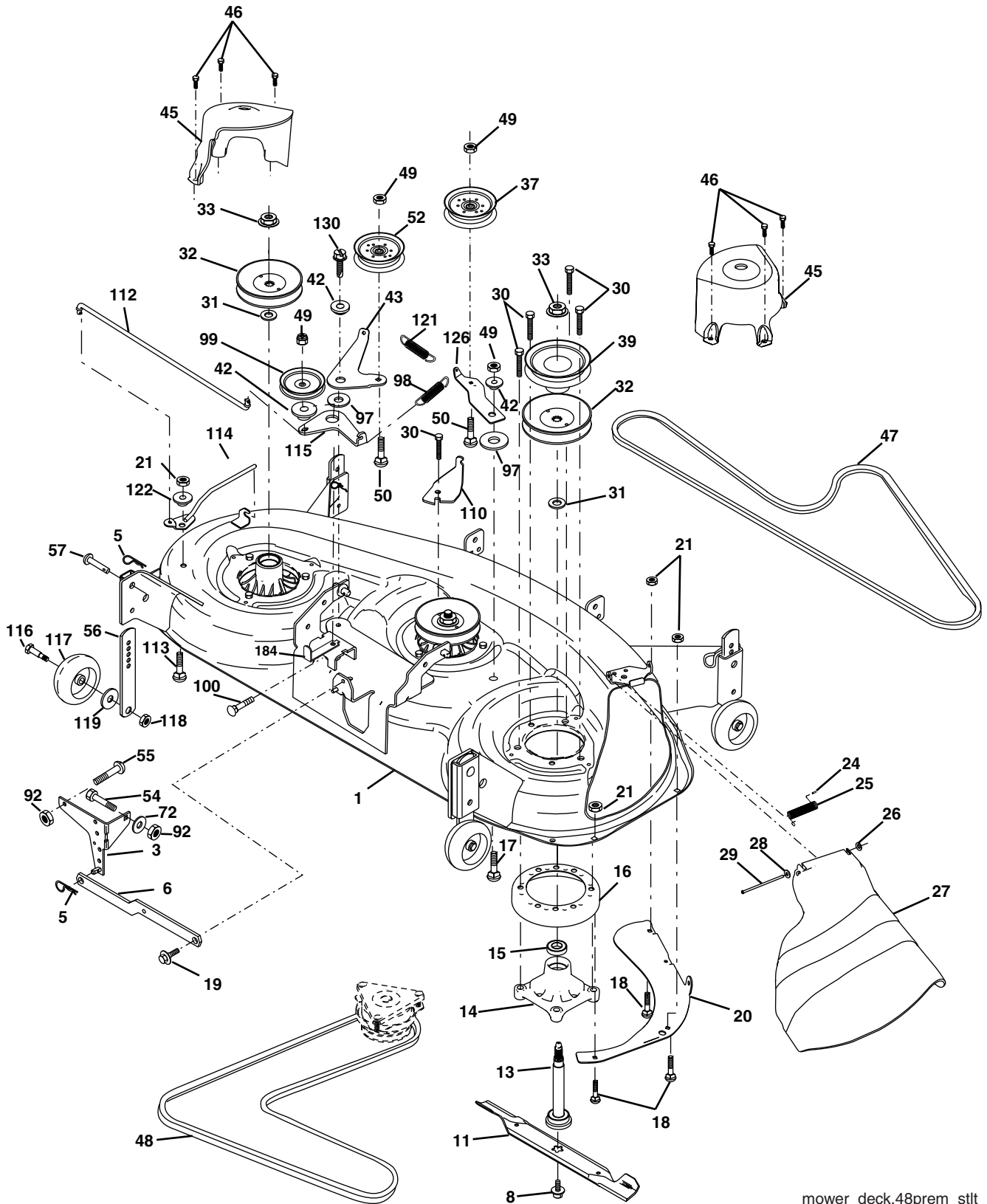
| KEY NO. | PART NO. | DESCRIPTION | KEY NO. | PART NO. | DESCRIPTION |
|---------|----------|--------------------------------|---------|----------|---------------------------------|
| 1 | 188706 | Seat | 13 | 121248X | Bushing Snap Blk Nyl 50 Id |
| 2 | 180166 | Bracket Pivot Seat | 14 | 72050412 | Bolt Rdhd Sqnk 1/4-20 x 1-1/2 |
| 3 | 71110616 | Bolt Fin Hex 3/8-16 unc x 1 | 15 | 121249X | Spacer Split |
| 4 | 19131610 | Washer Flat 13/32 x 1 x 10 Ga. | 16 | 123740X | Spring Cprsn |
| 5 | 145006 | Clip Push-In | 17 | 123976X | Nut Lock 1/4 Lge Flg Gr. 5 Zinc |
| 6 | 73800600 | Nut Hex w/Ins. 3/8-16 unc | 18 | 124238X | Cap Spring Seat |
| 7 | 124181X | Spring Seat Cprsn 2 250 Blk Zi | 21 | 171852 | Bolt Shoulder 5/16-18 unc |
| 8 | 17000616 | Screw 3/8-16 x 1 | 22 | 73800500 | Nut Hex Lock W/Ins 5/16-18 |
| 9 | 19131614 | Washer 13/32 x 1 x 14 Ga. | 24 | 19171912 | Washer 17/32 x 1-3/16 x 12 Ga. |
| 10 | 180186 | Pan Seat | 25 | 127018X | Bolt Shoulder 5/16-18 x 62 |
| 11 | 166369 | Knob Seat Adj. Wingnut | | | |
| 12 | 174648 | Bracket Mounting Switch | | | |

NOTE: All component dimensions given in U.S. inches.
1 inch = 25.4 mm

REPAIR PARTS

TRACTOR - MODEL NUMBER XT24H48YT (96012003900)

MOWER DECK



mower_deck.48prem_stlt

REPAIR PARTS**TRACTOR - MODEL NUMBER XT24H48YT (96012003900)****MOWER DECK**

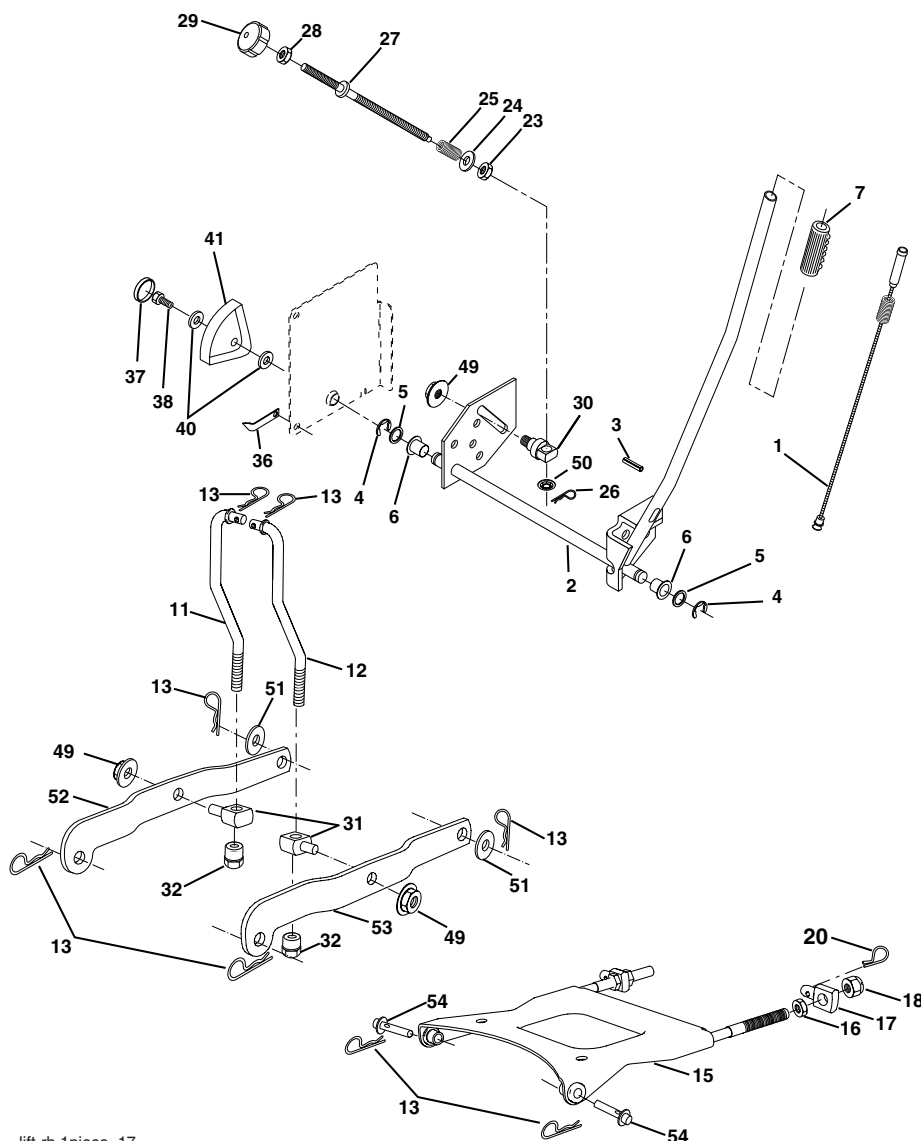
| KEY NO. | PART NO. | DESCRIPTION | KEY NO. | PART NO. | DESCRIPTION |
|---------|------------|--|---------|----------|--|
| 1 | 180358X | Deck Weldment Mower 48 | 46 | 137729 | Screw, Thdroll. 1/4-20 x 5/8 |
| 3 | 138017 | Bracket Asm., Sway Bar | 47 | 180808 | V-Belt, Mower, Secondary |
| 5 | 4939M | Retainer Spring | 48 | 174368 | V-Belt, Mower, Primary |
| 6 | 178024 | Arm, Suspension, Rear Sway Bar Deck | 49 | 73900600 | Nut, Lock 3/8-16 unc |
| 8 | 174365 | Bolt 7/16 Asm. Blade (The following blades are available) | 50 | 72110612 | Bolt, Carr. 3/8-16 x 1-1/2 Gr. 5 |
| 11 | 180054 | Blade, 48" Hi-Lift (For bagging and discharging) | 52 | 175820 | Pulley Idler Flat |
| -- | 173921 | Blade, 48" Mulching (For mulching mowers only) | 54 | 74780616 | Bolt Fin Hex 3/8-16 x 1 |
| 13 | 174360 | Shaft Asm. w/Lower Bearing | 55 | 72140608 | Bolt Carriage Sqkn. 3/8-16 x 1 |
| 14 | 174358 | Mandrel Asm. Housing | 56 | 155986 | Bar Pnt Adj. |
| 15 | 110485X | Bearing, Ball, Mandrel | 57 | 156941 | Pin Head Rivet |
| 16 | 174493 | Stripper Mandrel Deck | 72 | 19131312 | Washer 13/32 x 13/16 x 12 Ga. |
| 17 | 72110610 | Bolt RDHD Sq Neck 3/8-16 x 1.25 | 92 | 73800600 | Nut Lock Hex 3/8-16 |
| 18 | 72140505 | Bolt, Carriage 5/16-18 x 5/8 | 97 | 178515 | Washer Hardened |
| 19 | 132827 | Bolt, Hex Hd, Shoulder 5/16-18 | 98 | 179479 | Spring Primary Drive |
| 20 | 174378 | Baffle, Vortex Mower | 99 | 189993 | Pulley Idler"V" |
| 21 | 73680500 | Nut, Crownlock 5/16-18 unc | 100 | 72110616 | Bolt RDHD Sqkn 3/8-16 unc x 2 |
| 24 | 105304X | Cap, Sleeve | 110 | 175016 | Arm Spring Break |
| 25 | 178102 | Spring, Torsion | 112 | 174387 | Link Tension Relief Lever |
| 26 | 110452X | Nut, Push | 113 | 72110506 | Bolt 5/16-18 x 3/4 |
| 27 | 180655X428 | Deflector Shield | 114 | 174384 | Tension Asm. Relief Lever |
| 28 | 19111016 | Washer 11/32 x 5/8 x 16 Ga. | 115 | 174609 | Arm Spring Tension Relief |
| 29 | 131491 | Rod, Hinge | 116 | 193406 | Bolt, Shoulder |
| 30 | 173984 | Screw, Thdroll Washer Head | 117 | 174873 | Gauge Wheel |
| 31 | 187690 | Washer, Spacer | 118 | 73930600 | Nut, Centerlock 3/8-16 unc |
| 32 | 153535 | Pulley, Mandrel | 119 | 19121414 | Washer 3/8 x 7/8 x 14 Ga. |
| 33 | 178342 | Nut, Flg. Top Lock Cntr. 9/16 | 121 | 174371 | Spring Secondary Drive |
| 37 | 177968 | Pulley, Idler, Flat | 122 | 174606 | Bushing Pivot Tension Relief |
| 39 | 174375 | Pulley, Idler, Driven | 126 | 174372 | Arm, Idler, Primary Deck |
| 42 | 165723 | Spacer, Retainer | 130 | 17000616 | Screw 3/8-16 x 1.0 |
| 43 | 174373 | Arm, Idler Secondary | 184 | 173979 | Keeper Belt Idler |
| 45 | 180806 | Cover, Mandrel Deck | -- | 174356 | Mandrel Asm. Service (Includes Key Nos. 13-15 and 33) |
| | | | -- | 181579 | Replacement Mower, Complete |

NOTE: All component dimensions given in U.S. inches
1 inch = 25.4 mm

REPAIR PARTS

TRACTOR - MODEL NUMBER XT24H48YT (96012003900)

MOWER LIFT



lift-rh.1piece_17

| KEY NO. | PART NO. | DESCRIPTION | KEY NO. | PART NO. | DESCRIPTION |
|---------|----------|-----------------------------|---------|----------|--------------------------------|
| 1 | 179504 | Plunger Asm. | 27 | 164543 | Rod Adj Lift |
| 2 | 159476 | Shaft Asm Lift RH w/Inf | 28 | 73350600 | Nut Hex Jam 3/8-16 unc |
| 3 | 188822 | Pin Groove | 29 | 138057 | Knob Inf 3/8-16 unc Blk W/sym |
| 4 | 12000002 | E Ring #5133-62 | 30 | 150233 | Trunnion Infin Height |
| 5 | 19211621 | Washer 21/32 x 1 x 21 Ga. | 31 | 176205 | Trunnion Susp. Arm |
| 6 | 120183X | Bearing Nylon Blk 629 Id | 32 | 175994 | Nut Lift Link 7/16-20 |
| 7 | 175830 | Grip Handle | 36 | 155097 | Pointer Height Indicator |
| 11 | 175370 | Link Lift LH | 37 | 123935X | Plug Hole Blk 1.485/1.515 Dia. |
| 12 | 175371 | Link Lift RH | 38 | 17060516 | Screw 5/16-18 x 1 |
| 13 | 4939M | Retainer Spring | 40 | 19112410 | Washer 11/32 x 1-1/2 10 Ga. |
| 15 | 175562 | Plate Asm. Suspension Front | 41 | 155098 | Indicator Height STLT |
| 16 | 73350800 | Nut Jam Hex 1/2-13 unc | 49 | 145212 | Nut Hex Flange Lock |
| 17 | 175689 | Trunnion Front Susp. | 50 | 110452X | Nut PUSh Phos & Oil |
| 18 | 73800800 | Nut Lock w/Wsh 1/2-13 unc | 51 | 19171416 | Washer 17/32 x 7/8 x 16 Ga. |
| 20 | 163552 | Retainer Spring | 52 | 175378 | Arm Susp. Rear LH |
| 23 | 110807X | Nut Special | 53 | 175802 | Arm Susp. Rear RH |
| 24 | 19131016 | Washer 13/32 x 5/8 x 16 Ga. | 54 | 175560 | Pin |
| 25 | 164024 | Spring | | | |
| 26 | 169484 | Retainer Clip | | | |

NOTE: All component dimensions given in U.S. inches
1 inch = 25.4 mm