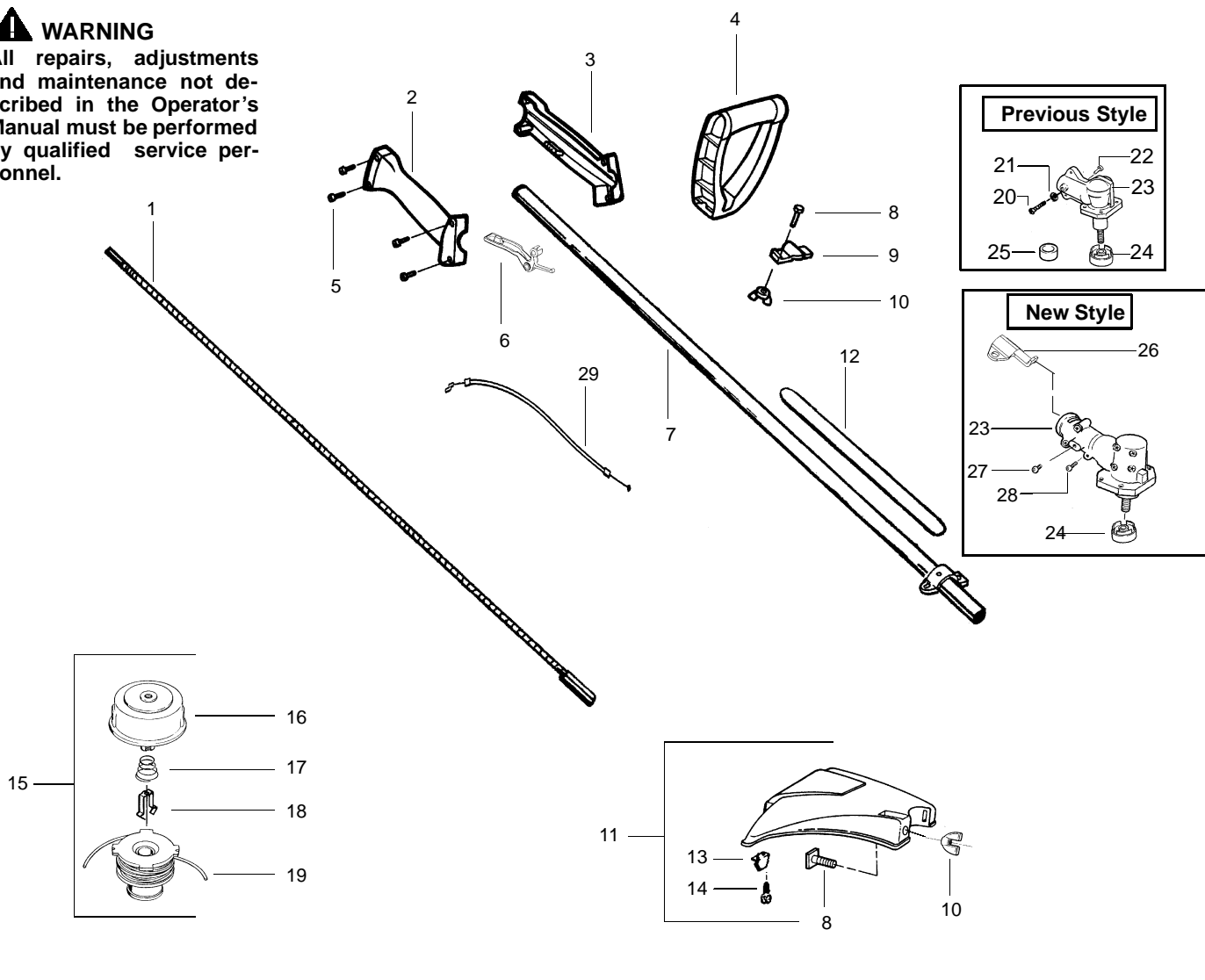


| | | | |
|-----------------------------|-------------------------------|---------------------------|--|
| PARTS LIST NO. 530088604 | | POULAN® PARTS LIST | MODEL(s) PT17 |
| DATE 7/31/01 | REPLACES 530088604-12/7/99 | | Note: Illustration may differ from actual model due to design changes |
| | | | PAGE NO. 1 |

⚠ WARNING

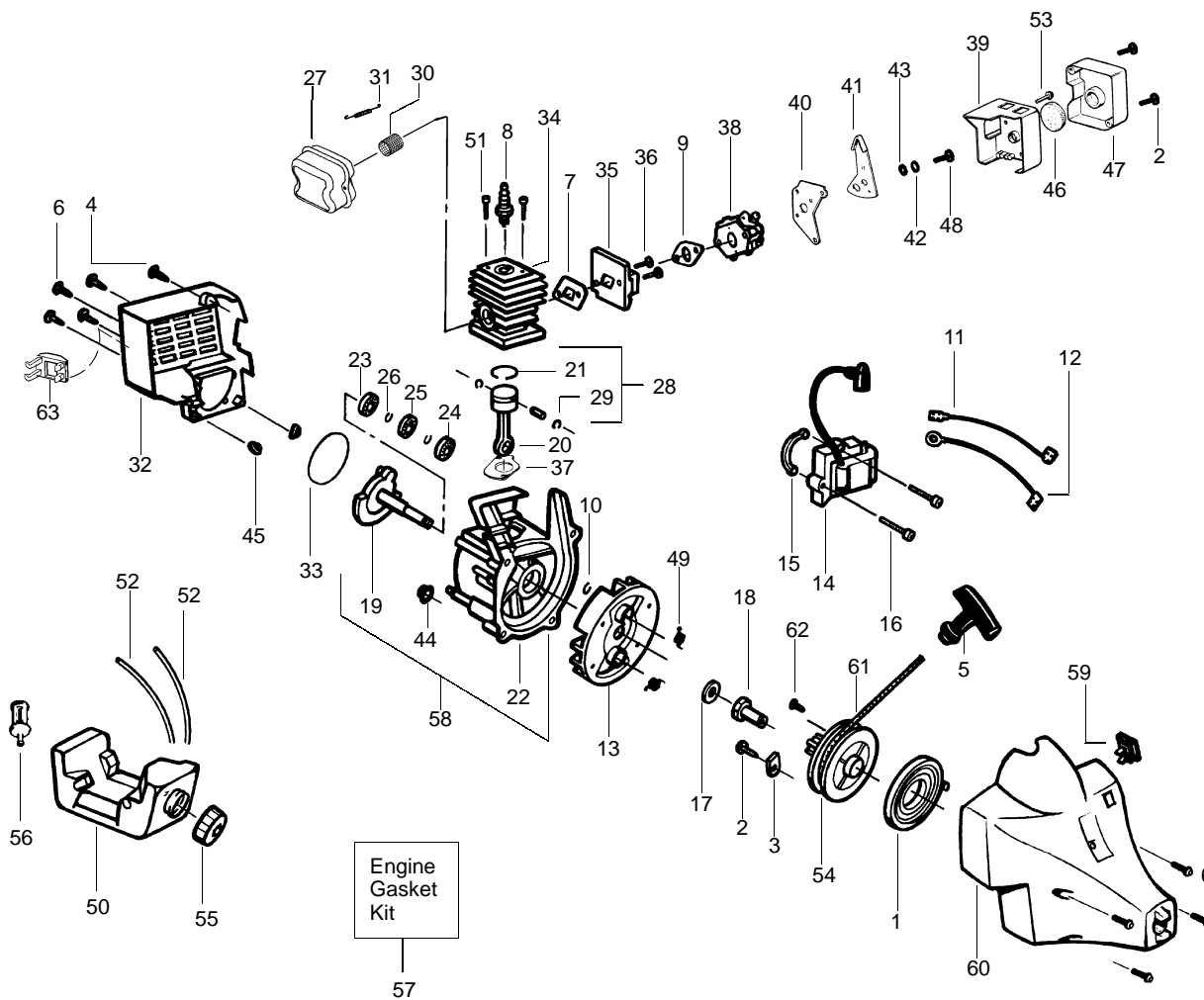
All repairs, adjustments and maintenance not described in the Operator's Manual must be performed by qualified service personnel.



| Ref. | Part No. | Description | Ref. | Part No. | Description |
|------|-----------|---|-----------|-----------------|-----------------------|
| 1. | 530095151 | Shaft-Flex-52" | 21. | 530001642 | Lockwasher-Gear Box |
| 2. | 530053020 | Hsg. - Throttle (Right) | 22. | 530016141 | Screw-Gear Box/Shield |
| 3. | 530053019 | Hsg. - Throttle (Left) | 23. | ***** | Kit-Gear Box Assy. |
| 4. | 530094673 | Handle-Assist | 24. | ***** | Dust Cup |
| 5. | 530016179 | Screw-Throttle Hsg. | 25. | 530019235 | Seal Sleeve |
| 6. | 530038682 | Trigger | 26. | 530095812 | Bracket-Shield |
| 7. | ***** | Assy-Drive Shaft | 27. | 530016301 | Screw |
| 8. | 530015820 | Bolt | 28. | 530016309 | Screw |
| 9. | 530094742 | Clamp-Handle | 29. | 530049066 | Assy-Throttle Cable |
| 10. | 530016118 | Wingnut | | | |
| 11. | 530069779 | Kit-Shield Ass'y. | | | |
| 12. | 530055350 | Decal-Shaft Warning | | | |
| 13. | 530052285 | Line Limiter | | | |
| 14. | 530015805 | Screw-Line Limiter | | | |
| 15. | 952711550 | Accy-Cutting Head Ass'y. (Incl. 16-19) | | | |
| 16. | 530053245 | assy-Hub | | | |
| 17. | 530053241 | Spring-Return | | | |
| 18. | 530401957 | Retainer-Spool | | | |
| 19. | 952711551 | Spool w/Line | | | |
| 20. | 530016140 | Screw-Gear Box | | | |
| | | | Not Shown | | |
| | | | 530088837 | Operator Manual | |
| | | | 530055162 | Decal-Stop | |

✓ = NEW PART NUMBER FOR THIS IPL * = REFER TO THE SERVICE REFERENCE INDICATED FOR MORE INFORMATION. (LOCATED AT END OF IPL)

| | | | |
|-----------------------------|-------------------------------|--------------------|---|
| PARTS LIST NO. 530088604 | | POULAN® PARTS LIST | MODEL(s) PT17 |
| DATE 7/31/01 | REPLACES 530088604-12/7/99 | | Note: Illustration may differ from actual model due to design changes |



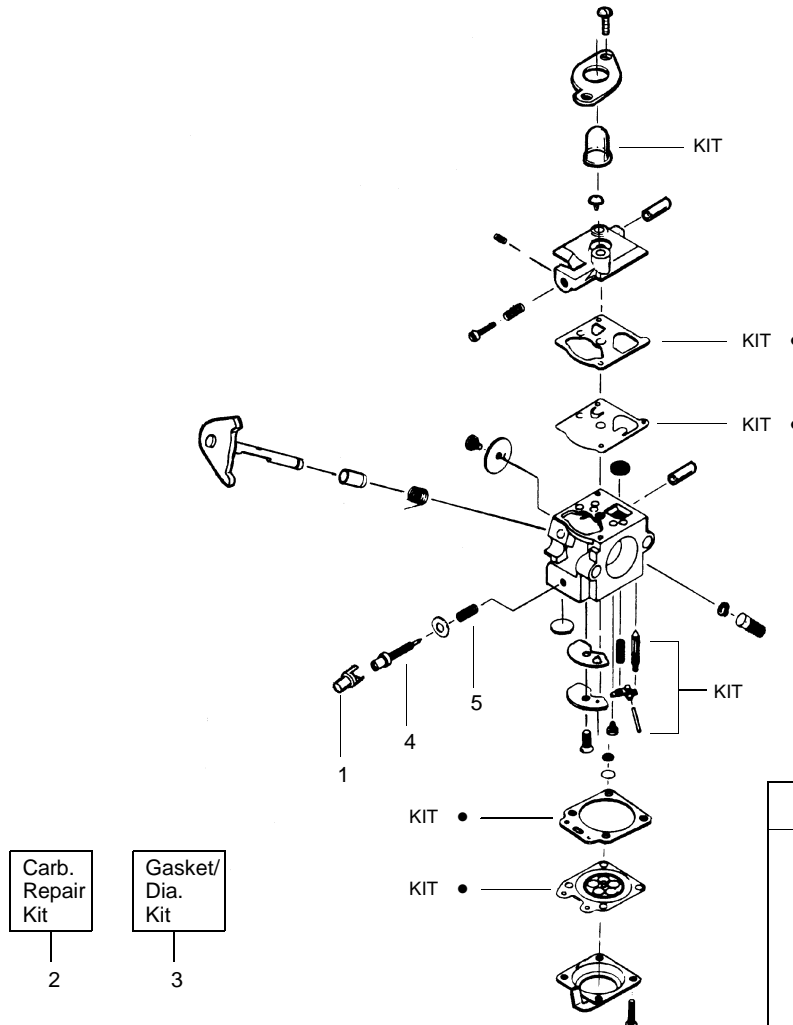
| Ref. | Part No. | Description | Ref. | Part No. | Description | Ref. | Part No. | Description |
|------|-----------|--------------------------------|------|-----------|--|------|-----------|--|
| 1. | 530042086 | Starter Spring | 27. | 530071390 | Kit-Muffler | 51. | 530015953 | Screw-Cylinder |
| 2. | 530015966 | Screw | 28. | 530069987 | Kit-Piston (Incl. 21, 29 & Pin) | 52. | 530069599 | Kit-Fuel Line (Incls. Vent Line) |
| 3. | 530016226 | Retainer Can | 29. | 530015162 | Retainer-Piston Pin | 53. | 530015557 | Screw |
| 4. | 530015880 | Screw-Shrd/Fan Hsg. | 30. | 530071391 | Kit-Spark Arrestor | 54. | 530069400 | Kit-Starter Pulley (Incl. 62) |
| 5. | 530027569 | Starter Handle | 31. | 530042088 | Spring-Muffler | 55. | 530014347 | Assy-Fuel Cap |
| 6. | 530015810 | Screw | 32. | 530053320 | Shroud-Rear | 56. | 530095646 | Assy-Fuel Pickup |
| 7. | 530019243 | Gasket-Cylind./Carb. | 33. | ***** | O-Ring/Gasket-C'case | 57. | 530071253 | Kit-Engine Gasket (Incl. 7,9,33,37) |
| 8. | 952030201 | Spark Plug (RCJ 8Y) | 34. | 530069757 | Kit-Cylinder | 58. | 530014729 | Assy-C'case & C'shaft (Incl. 10,19,22-26) |
| 9. | 530019194 | Gasket-Carb. | 35. | 530069991 | Kit-Carb. Adaptor | 59. | 530038114 | Switch-Momentary |
| 10. | 530015941 | Retainer Ring-C'shaft | 36. | 530016014 | Screw | 60. | 530054420 | Assy-Fan Housing |
| 11. | 530049390 | Assy-Lead Wire | 37. | 530019223 | Gasket-Cylinder | 61. | 530069232 | Kit-Rope |
| 12. | 530049389 | Assy-Ground Wire | 38. | 530069754 | Kit-Carburetor Ass'y (Incls. Limiter Cap) | 62. | 530016080 | Screw |
| 13. | 530069886 | Assy-Flywheel | 39. | 530054450 | Air Box | 63. | 530054536 | Guard-Muffler |
| 14. | 530055160 | Module-Ignition | 40. | 530047914 | Choke Plate Mounting | | | |
| 15. | 530036145 | Spacer-Module | 41. | 530047916 | Choke Lever | | | |
| 16. | 530015954 | Screw-Module | 42. | 530015852 | Spacer-Choke | | | |
| 17. | 530015828 | Washer-Flat | 43. | 530015254 | Washer | | | |
| 18. | 530027953 | Coupling-Coupling | 44. | 530036792 | Isolator-C'Case | | | |
| 19. | 530054083 | Assy-Crankshaft | 45. | 530036793 | Isolator-Shroud | | | |
| 20. | 530069615 | Assy-Connecting Rod | 46. | 530047932 | Foam-Air Filter | | | |
| 21. | 530053565 | Piston Ring | 47. | 530049095 | Cover-Air Filter | | | |
| 22. | 530012414 | Assy-Crankcase (Incl 23-26) | 48. | 530015849 | Screw | | | |
| 23. | 530032125 | Inner Bearing | 49. | 530023817 | Spring-Starter Dog | | | |
| 24. | 530032124 | Outer Bearing | 50. | 530049299 | Assy-Fuel Tank (Incl. 55, 56, 70 & 71) | | | |
| 25. | 530019179 | C'case Seal | | | | | | |
| 26. | 530015941 | Retain. Ring-C'shaft | | | | | | |

↙ = NEW PART NUMBER FOR THIS IPL

* = REFER TO THE SERVICE REFERENCE INDICATED FOR MORE INFORMATION. (LOCATED AT END OF IPL)

| | | | |
|-----------------------------|-------------------------------|--------------------|---|
| PARTS LIST NO. 530088604 | | POULAN® PARTS LIST | MODEL(s) PT17 |
| DATE 7/31/01 | REPLACES 530088604-12/7/99 | | Note: Illustration may differ from actual model due to design changes |

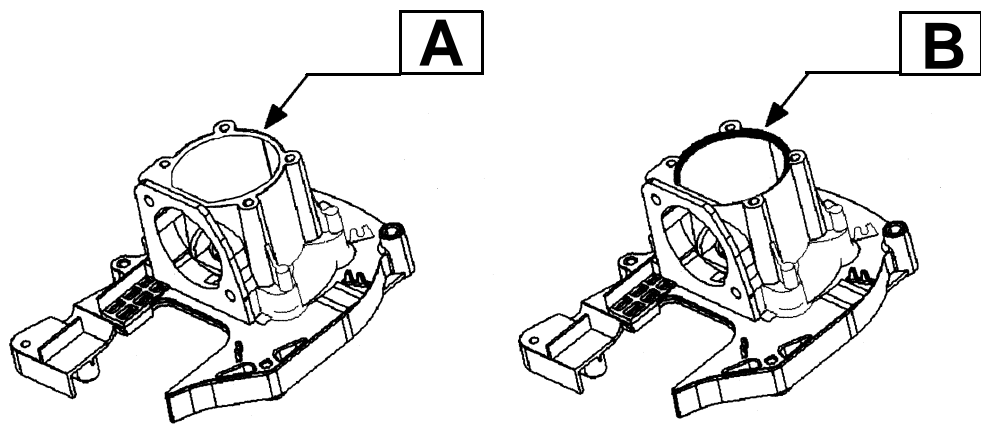
Carburetor Assembly #530069754



| Ref. | Part No. | Description |
|------|-----------|---|
| 1. | 530038404 | Limiter Cap |
| 2. | 530069842 | Carburetor Repair Kit (KIT = Indicates Contents) |
| 3. | 530069844 | Gasket Diaphragm Kit (• = Indicates Contents) |
| 4. | 530035341 | Needle-Idle |
| 5. | 530035342 | Spring-Idle Needle |

***** **SERVICE REFERENCE** *****

Note: When replacing item# 33 on page 2, please note if the surface indicated by the arrow is flat or has a beveled edge and order accordingly.
 (A) Flat Surface – 530-019181 Gasket (B) Beveled surface – 530-054624 O-ring



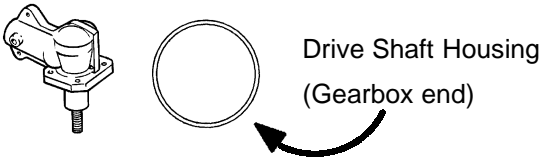
✓ = NEW PART NUMBER FOR THIS IPL ★ = REFER TO THE SERVICE REFERENCE INDICATED FOR MORE INFORMATION. (LOCATED AT END OF IPL)

| | | | |
|-----------------------------|-------------------------------|--------------------|---|
| PARTS LIST NO. 530088604 | | POULAN® PARTS LIST | MODEL(s) PT17 |
| DATE 7/31/01 | REPLACES 530088604-12/7/99 | | Note: Illustration may differ from actual model due to design changes |

★★★★★ **Service Reference** ★★★★★

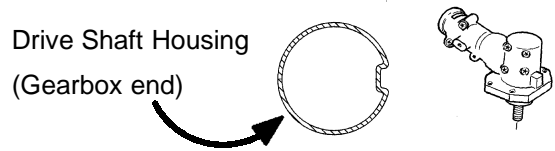
This unit was built with two different style gearboxes and driveshaft housings. When ordering these parts, please identify the type you have and order accordingly.

Previous Style



| Part No. | Description |
|-----------|--|
| 530071374 | Assy-Gearbox Housing - Driveshaft Cup-Dust |
| 530053605 | |
| 530095351 | |

New Style



| Part No. | Description |
|-----------|--|
| 530071375 | Assy-Gearbox Housing - Driveshaft Cup-Dust |
| 530071341 | |
| 530095814 | |

✓ = NEW PART NUMBER FOR THIS IPL

★ = REFER TO THE SERVICE REFERENCE INDICATED FOR MORE INFORMATION. (LOCATED AT END OF IPL)