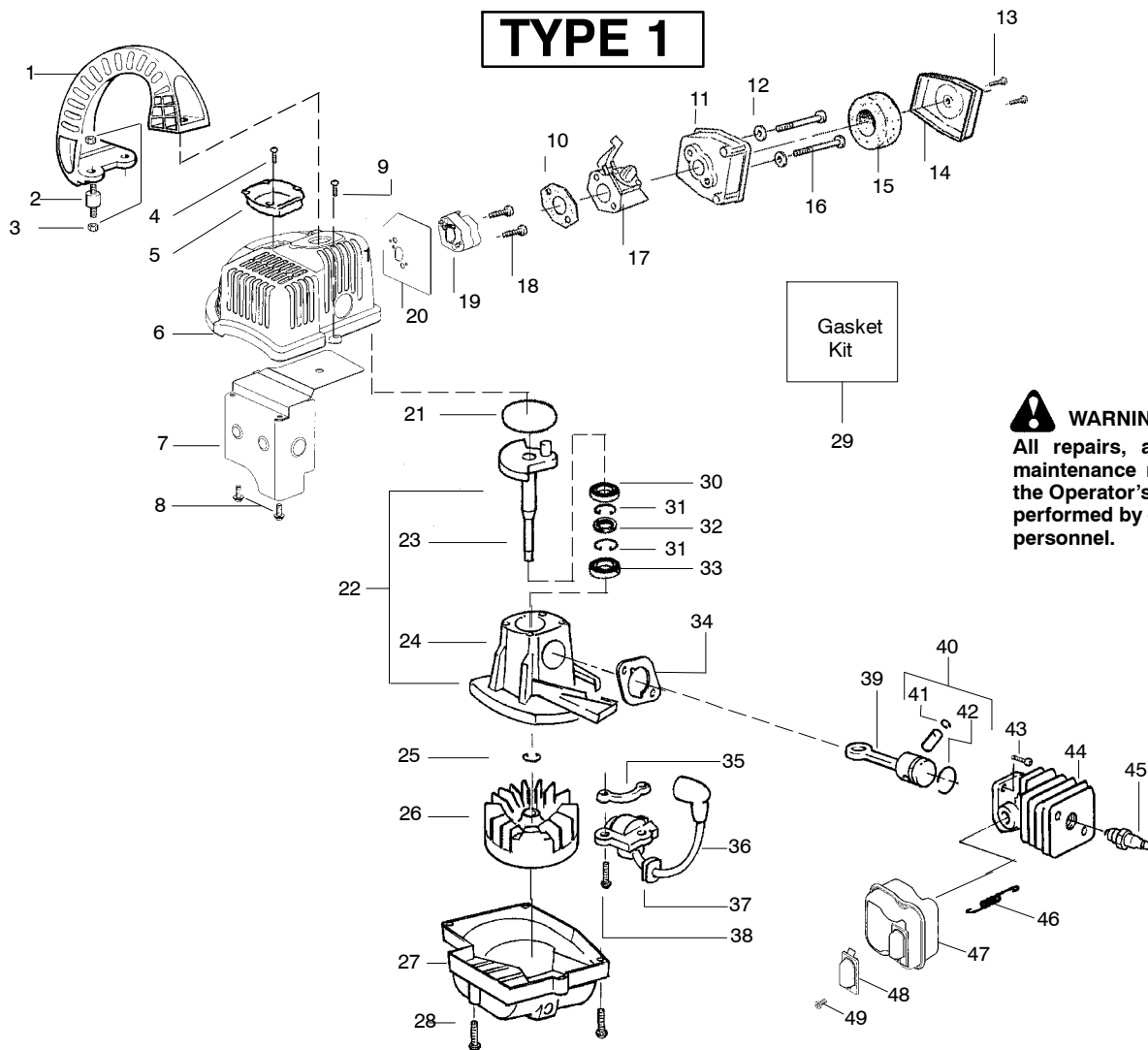


PARTS LIST NO. 530086385		WEED EATER® PARTS LIST	MODEL(S) FL1500LE
DATE 5/12/04	REPLACES 530086385 - 12/29/03		Note: Illustration may differ from actual model due to design changes

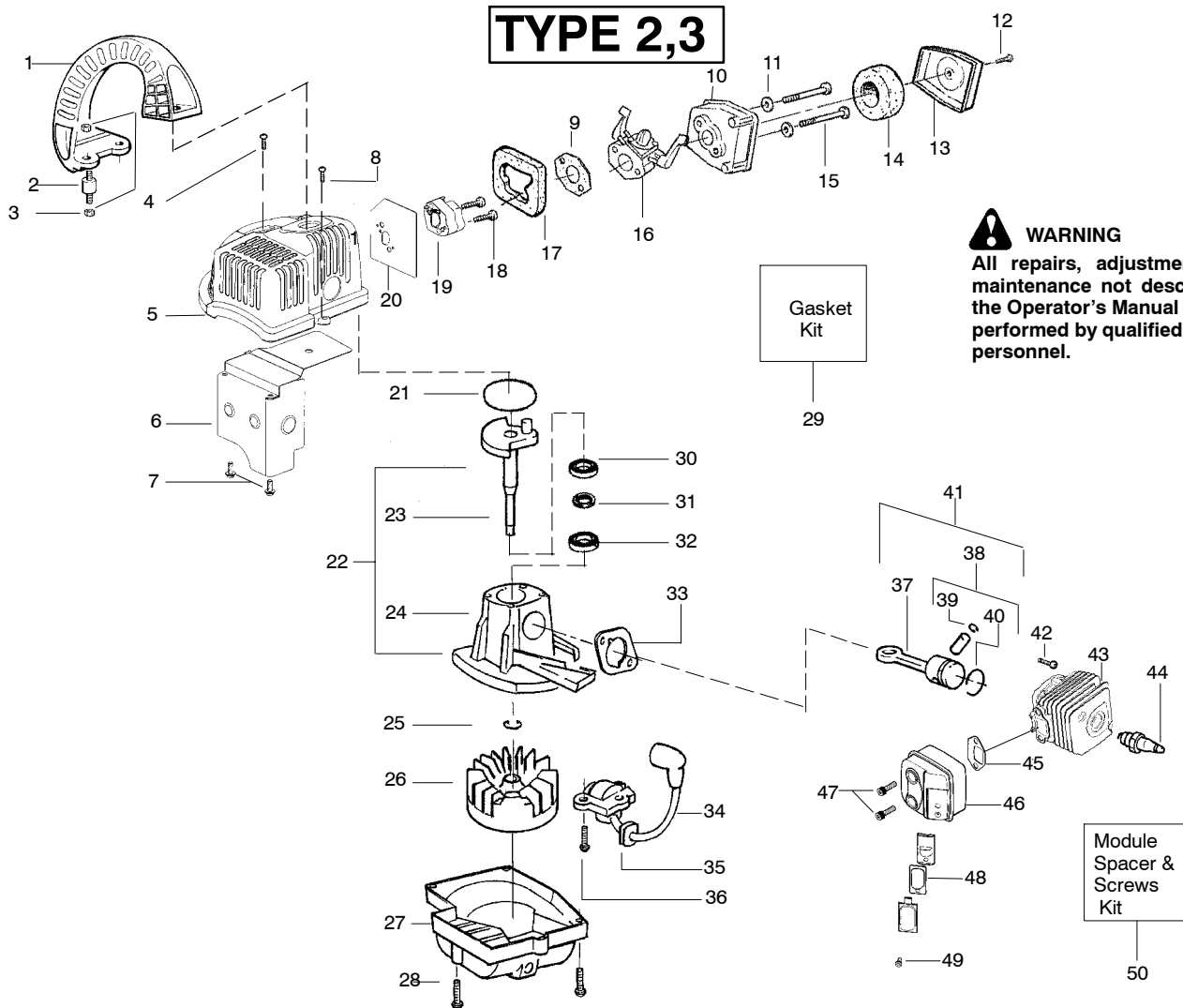


WARNING
All repairs, adjustments and maintenance not described in the Operator's Manual must be performed by qualified service personnel.

Ref.	Part No.	Description	Ref.	Part No.	Description
1.	530054429	Handle	25.	530015941	Retainer Ring (C'shaft)
2.	530054432	Isolator-Handle	26.	530069886	Assy.-Flywheel
3.	530016316	Nut	27.	530055335	Fan Housing
4.	530015810	Screw	28.	530015810	Screw
5.	530016258	Plate-Crankcase	29.	530071472	Kit-Gasket (incl. 10,20,21,34)
6.	530055336	Shroud	30.	530032125	Inner Bearing
7.	530055378	Shield-Heat	31.	530015945	Retainer Ring (C'case)
8.	530015805	Screw	32.	530019179	Seal-Crankcase
9.	530015880	Screw	33.	530032124	Bearing-Outer
10.	530071472	Gasket-Carb. (Kit)	34.	530071472	Gasket-Cylinder (Kit)
11.	530052333	Air Box	35.	530036145	Spacer-Ign. Module
12.	530015123	Washer	36.	530039163	Ignition Module
13.	530015892	Screw	37.	530019182	Grommet-Ign. Module
14.	530052332	Cover-Air Box	38.	530015954	Screw
15.	530047932	Foam-Air Filter	39.	530069945	Kit-Connecting Rod Assy.
16.	530016353	Screw	40.	530071357	Kit-Piston (Incl. 41 & 42)
17.	---	Kit-Carburetor Ass'y. (W-12 C1U-W12A)	41.	530015162	Wrist Pin Retainer
18.	530016014	Screw	42.	530055120	Piston Ring
19.	530056403	Adaptor-Carb.	43.	530015953	Screw
20.	530071472	Gasket-Cyl/Carb. Adaptor (Kit)	44.	530071359	Kit-Cylinder
21.	530071472	Gasket-C'case/Shroud (Kit)	45.	952030249	Spark Plug (RCJ-6Y)
22.	530071469	Assy.-C'case & C'shaft (Incl. 23,24,25, & 30-33)	46.	530042088	Spring-Muffler
23.	530052344	Assy.-Crankshaft	47.	530071470	Assy.-Muffler (incl. #46)
24.	530012462	Assy.-Crankcase (Incl. 30-33)	48.	530071361	Kit-Spark Aresstor
			49.	530015241	Screw

✓ = NEW PART NUMBER FOR THIS IPL * = REFER TO THE SERVICE REFERENCE INDICATED FOR MORE INFORMATION. (LOCATED AT END OF IPL)

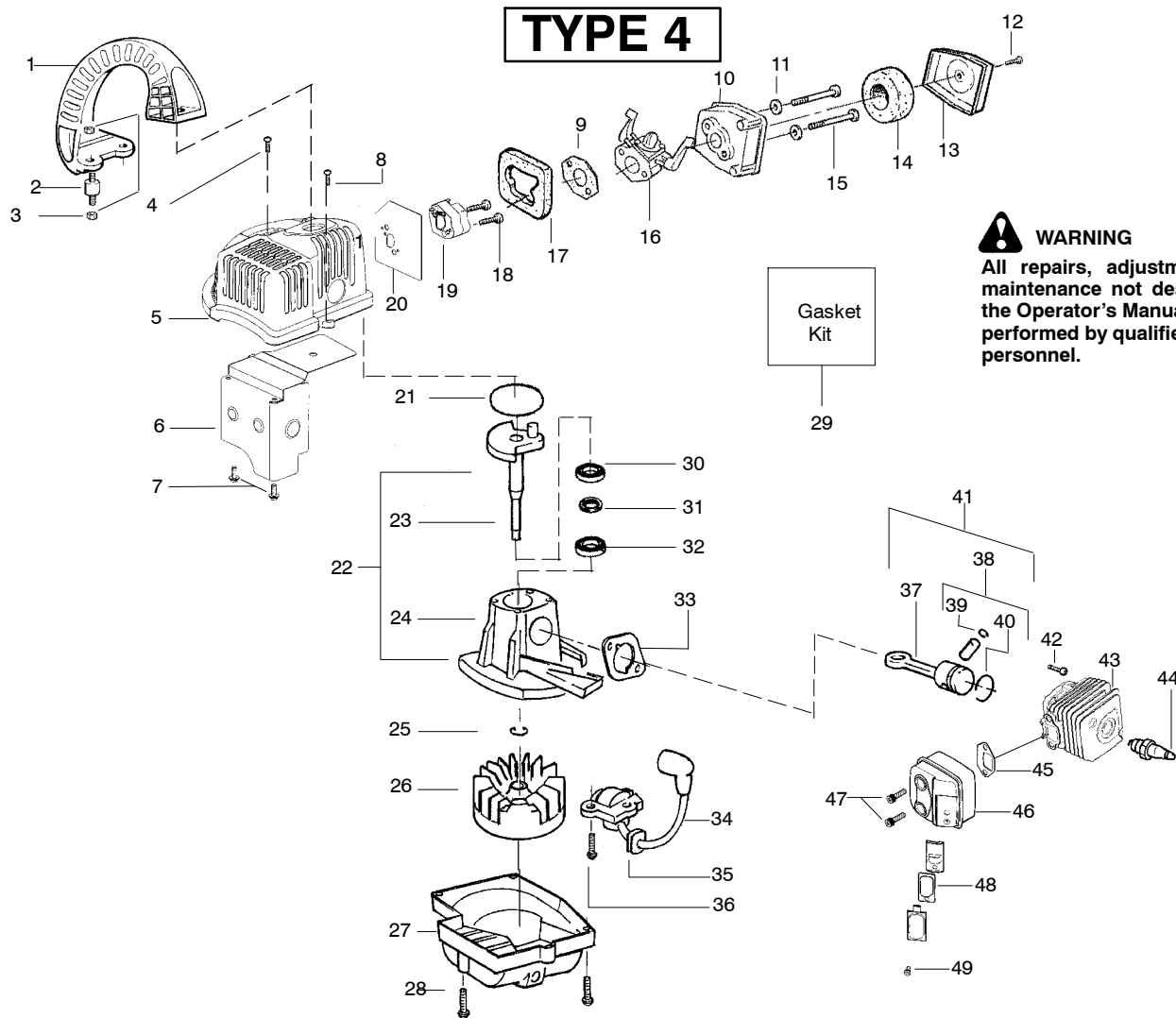
PARTS LIST NO. 530086385		WEED EATER® PARTS LIST	MODEL(S) FL1500LE
DATE 5/12/04	REPLACES 530086385 - 12/29/03		Note: Illustration may differ from actual model due to design changes



Ref.	Part No.	Description	Ref.	Part No.	Description
1.	530054429	Handle	25.	530015941	Retainer Ring (C'shaft)
2.	530054432	Isolator-Handle	26.	530069886	Assy.-Flywheel
3.	530016316	Nut	27.	530055335	Fan Housing
4.	530015810	Screw	28.	530015810	Screw
5.	530055336	Shroud	29.	530071472	Kit-Gasket (incl. 9,20,21,33)
6.	530055378	Shield-Heat	30.	530032125	Inner Bearing
7.	530015805	Screw	31.	530019264	Seal-Crankcase
8.	530016349	Screw	32.	530055728	Bearing-Outer
9.	530071472	Gasket-Carb. (Kit)	33.	530071472	Gasket-Cylinder (Kit)
10.	530052333	Air Box	34.	530039163	Ignition Module
11.	530015158	Washer	35.	530019182	Grommet-Ign. Module
12.	530015892	Screw	36.	530016357	Screw
13.	530052332	Cover-Air Box	37.	530069945	Kit-Connecting Rod Assy.
14.	530047932	Foam-Air Filter	38.	530071833	Kit-Piston (Incl. 39 & 40)
15.	530016394	Screw	39.	530015162	Wrist Pin Retainer
16.	530071629	Kit-Carburetor Ass'y. (C1U-W12A)	40.	530055120	Piston Ring
17.	530057725	Foam-Air Dam	41.	530071785	Kit-Piston/Rod Assy. (Incl. 37,38)
18.	530016309	Screw	42.	530015953	Screw
19.	530057634	Adaptor-Carb.	43.	530012500	Cylinder
20.	530071472	Gasket-Cyl/Carb. Adaptor (Kit)	44.	952030249	Spark Plug (RCJ-6Y)
21.	530071472	Gasket-C'case/Shroud (Kit)	45.	530071472	Gasket-Muffler kit
22.	530071680	Assy.-C'case & C'shaft (Incl. 23,24,25)	46.	530071778	Kit-Muffler (incl. #45,47-49)
23.	530052344	Assy.-Crankshaft	47.	530016338	Bolt-Muffler
24.	530012510	Assy.-Crankcase (Incl. 30-32)	48.	530071544	Kit-Spark Aresstor
			49.	530015241	Screw
			50.	530071731	Kit-Module spacer/screws

✓ = NEW PART NUMBER FOR THIS IPL ★ = REFER TO THE SERVICE REFERENCE INDICATED FOR MORE INFORMATION. (LOCATED AT END OF IPL)

PARTS LIST NO. 530086385		WEED EATER® PARTS LIST	MODEL(S) FL1500LE
DATE 5/12/04	REPLACES 530086385 - 12/29/03		Note: Illustration may differ from actual model due to design changes

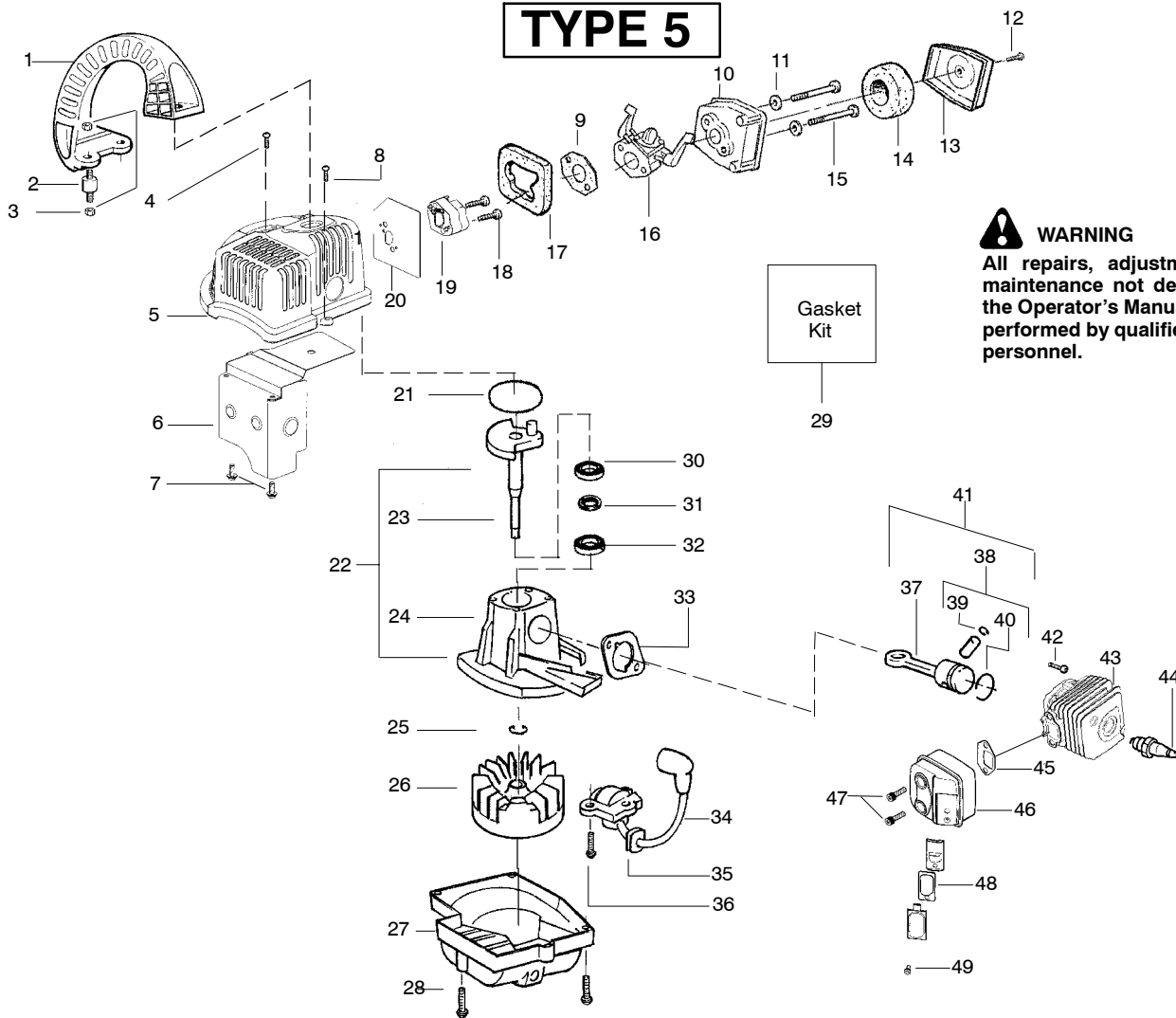


Ref.	Part No.	Description	Ref.	Part No.	Description
1.	530054429	Handle	25.	530015941	Retainer Ring (C'shaft)
2.	530054432	Isolator-Handle	26.	530069886	Assy.-Flywheel
3.	530016316	Nut	27.	530058942	Fan Housing
4.	530015810	Screw	28.	530015810	Screw
5.	530055336	Shroud	29.	530071472	Kit-Gasket (incl. 9,20,21,33)
6.	530055378	Shield-Heat	30.	530032125	Inner Bearing
7.	530015805	Screw	31.	530019264	Seal-Crankcase
8.	530016349	Screw	32.	530055728	Bearing-Outer
9.	530071472	Gasket-Carb. (Kit)	33.	530071472	Gasket-Cylinder (Kit)
10.	530052333	Air Box	34.	530039163	Ignition Module
11.	530015158	Washer	35.	530019182	Grommet-Ign. Module
12.	530015892	Screw	36.	530016357	Screw
13.	530052332	Cover-Air Box	37.	530069945	Kit-Connecting Rod Assy.
14.	530047932	Foam-Air Filter	38.	530071833	Kit-Piston (Incl. 39 & 40)
15.	530016394	Screw	39.	530015162	Wrist Pin Retainer
16.	530071629	Kit-Carburetor Ass'y. (C1U-W12A)	40.	530055120	Piston Ring
17.	530057725	Foam-Air Dam	41.	530071785	Kit-Piston/Rod Assy. (Incl. 37,38)
18.	530016309	Screw	42.	530015953	Screw
19.	530057634	Adaptor-Carb.	43.	530012500	Cylinder
20.	530071472	Gasket-Cyl/Carb. Adaptor (Kit)	44.	952030249	Spark Plug (RCJ-6Y)
21.	530071472	Gasket-C'case/Shroud (Kit)	45.	530071472	Gasket-Muffler kit
22.	530071680	Assy.-C'case & C'shaft (Incl. 23,24,25)	46.	530071778	Kit-Muffler (incl. #45,47-49)
23.	530052344	Assy.-Crankshaft	47.	530016338	Bolt-Muffler
24.	530012510	Assy.-Crankcase (Incl. 30-32)	48.	530071544	Kit-Spark Aresstor
			49.	530015241	Screw

✓ = NEW PART NUMBER FOR THIS IPL

* = REFER TO THE SERVICE REFERENCE INDICATED FOR MORE INFORMATION. (LOCATED AT END OF IPL)

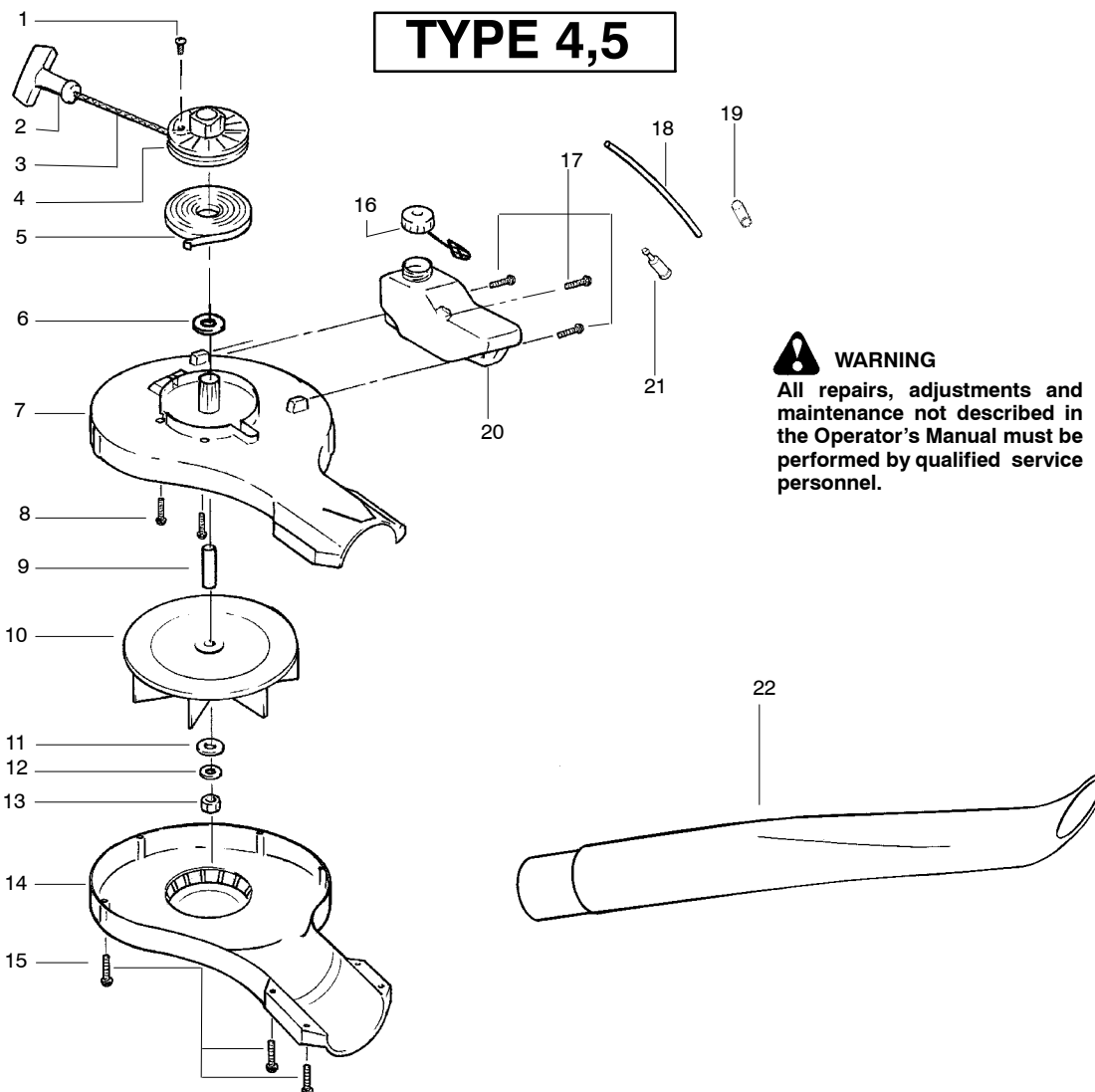
PARTS LIST NO. 530086385		WEED EATER® PARTS LIST	MODEL(S) FL1500LE
DATE 5/12/04	REPLACES 530086385 - 12/29/03		Note: Illustration may differ from actual model due to design changes



Ref.	Part No.	Description	Ref.	Part No.	Description
1.	530054429	Handle	25.	530015941	Retainer Ring (C'shaft)
2.	530054432	Isolator-Handle	26.	530069886	Assy.-Flywheel
3.	530016316	Nut	27.	530058942	Fan Housing
4.	530015810	Screw	28.	530015810	Screw
5.	✓ 530057102	Shroud	29.	530071472	Kit-Gasket (incl. 9,20,21,33)
6.	530055378	Shield-Heat	30.	530032125	Inner Bearing
7.	530015805	Screw	31.	530019264	Seal-Crankcase
8.	530016349	Screw	32.	530055728	Bearing-Outer
9.	530071472	Gasket-Carb. (Kit)	33.	530071472	Gasket-Cylinder (Kit)
10.	530052333	Air Box	34.	530039163	Ignition Module
11.	530015158	Washer	35.	530019182	Grommet-Ign. Module
12.	530015892	Cover-Air Box	36.	530016357	Screw
13.	530052332	Foam-Air Filter	37.	530069945	Kit-Connecting Rod Assy.
14.	530047932	Foam-Air Filter	38.	530071833	Kit-Piston (Incl. 39 & 40)
15.	✓ 530016429	Screw	39.	530015162	Wrist Pin Retainer
16.	530071629	Kit-Carburetor Ass'y. (C1U-W12A)	40.	530055120	Piston Ring
17.	530057725	Foam-Air Dam	41.	530071785	Kit-Piston/Rod Assy. (Incl. 37,38)
18.	530016309	Screw	42.	530015953	Screw
19.	530057634	Adaptor-Carb.	43.	530012500	Cylinder
20.	530071472	Gasket-Cyl/Carb. Adaptor (Kit)	44.	952030249	Spark Plug (RCJ-6Y)
21.	530071472	Gasket-C'case/Shroud (Kit)	45.	530071472	Gasket-Muffler kit
22.	530071680	Assy.-C'case & C'shaft (Incl. 23,24,25)	46.	530071778	Kit-Muffler (incl. #45,47-49)
23.	530052344	Assy.-Crankshaft	47.	530016338	Bolt-Muffler
24.	530012510	Assy.-Crankcase (Incl. 30-32)	48.	530071544	Kit-Spark Aresstor
			49.	530015241	Screw

✓ = NEW PART NUMBER FOR THIS IPL ★ = REFER TO THE SERVICE REFERENCE INDICATED FOR MORE INFORMATION. (LOCATED AT END OF IPL)

PARTS LIST NO. 530086385		WEED EATER® PARTS LIST	MODEL(s) FL1500LE
DATE 5/12/04	REPLACES 530086385 - 12/29/03		Note: Illustration may differ from actual model due to design changes



WARNING
All repairs, adjustments and maintenance not described in the Operator's Manual must be performed by qualified service personnel.

Ref.	Part No.	Description	Ref.	Part No.	Description
1.	530016392	Screw	14.	530054181	Assy-Impeller Housing (Lower)
2.	530049488	Handle-Starter	15.	530015886	Screw
3.	530069907	Kit-Rope	16.	530014347	Assy-Fuel Cap
4.	530071792	Kit-Starter Pulley (Incl. 1)	17.	530016349	Screw
5.	530042086	Spring-Starter	18.	530069599	Kit-Fuel Line
6.	530015149	Washer	19.	530053314	Grommet-Fuel Line
7.	530058713	Housing-Impeller (Upper)	20.	530053021	Assy-Fuel Tank (Incl. cap,filter, fuel lines)
8.	530015814	Screw	21.	530014362	Fuel Pick-up Ass'y.
9.	530052434	Spacer-Flywheel	22. ✓	530052337	Tube-Blower
10.	530053237	Assy-Impeller			
11.	530016260	Washer-Flat		Not Shown	
12.	530092322	Lockwasher			
13.	530626605	Nut		530163349	Operator Manual

✓ = NEW PART NUMBER FOR THIS IPL

* = REFER TO THE SERVICE REFERENCE INDICATED FOR MORE INFORMATION. (LOCATED AT END OF IPL)

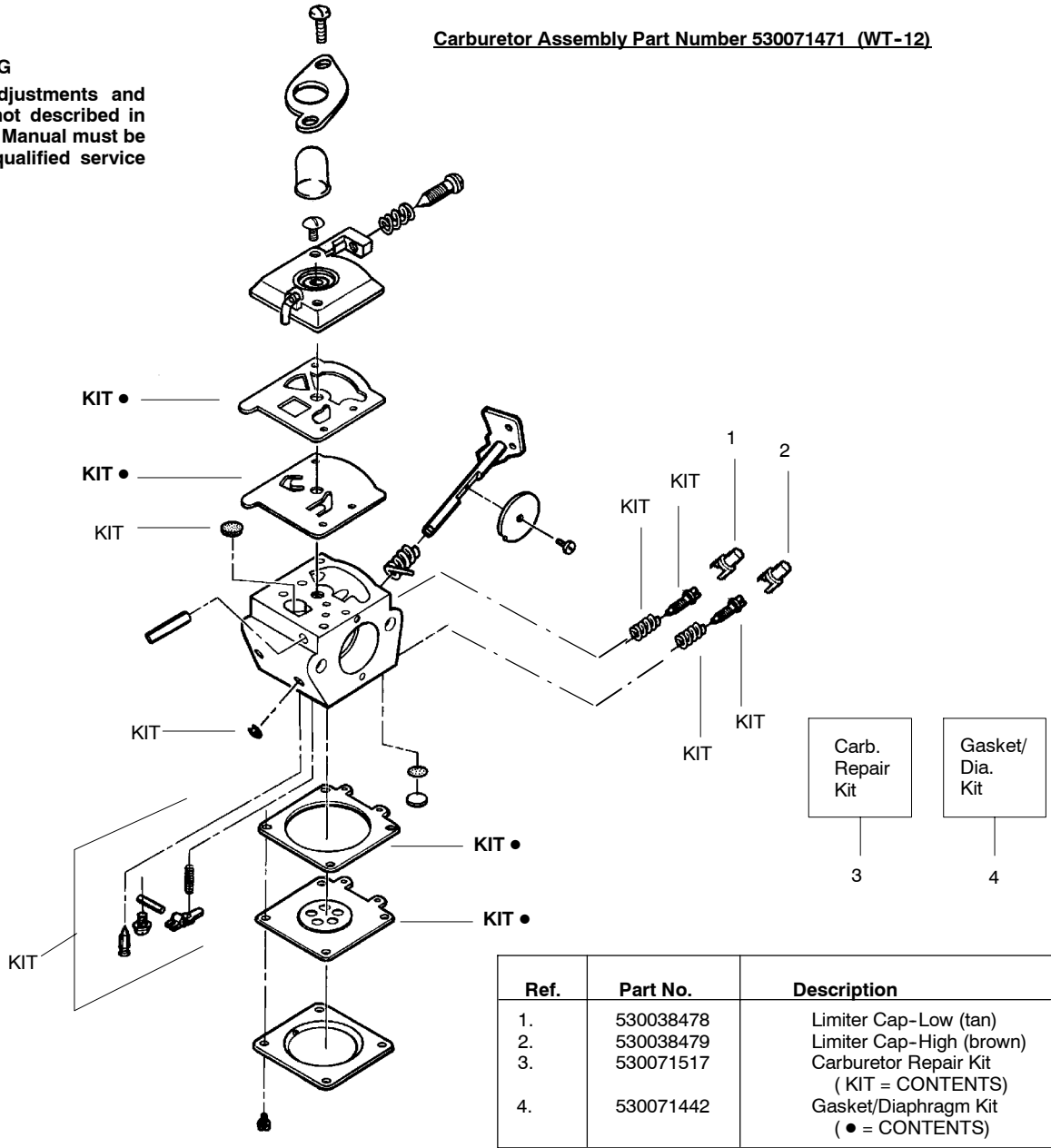
PARTS LIST NO. 530086385		WEED EATER® PARTS LIST	MODEL(s) FL1500LE
DATE 5/12/04	REPLACES 530086385 - 12/29/03		Note: Illustration may differ from actual model due to design changes



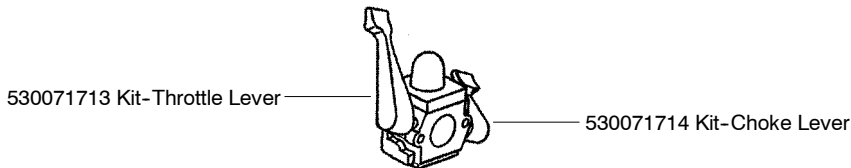
WARNING

All repairs, adjustments and maintenance not described in the Operator's Manual must be performed by qualified service personnel.

Carburetor Assembly Part Number 530071471 (WT-12)



Kit - Carburetor Assy # 530071629 - C1U-W12A



Note: No Repair kits are available for this carburetor, please order the complete assembly part number 530-071629 (C1U-W12A)

✓ = NEW PART NUMBER FOR THIS IPL

★ = REFER TO THE SERVICE REFERENCE INDICATED FOR MORE INFORMATION. (LOCATED AT END OF IPL)