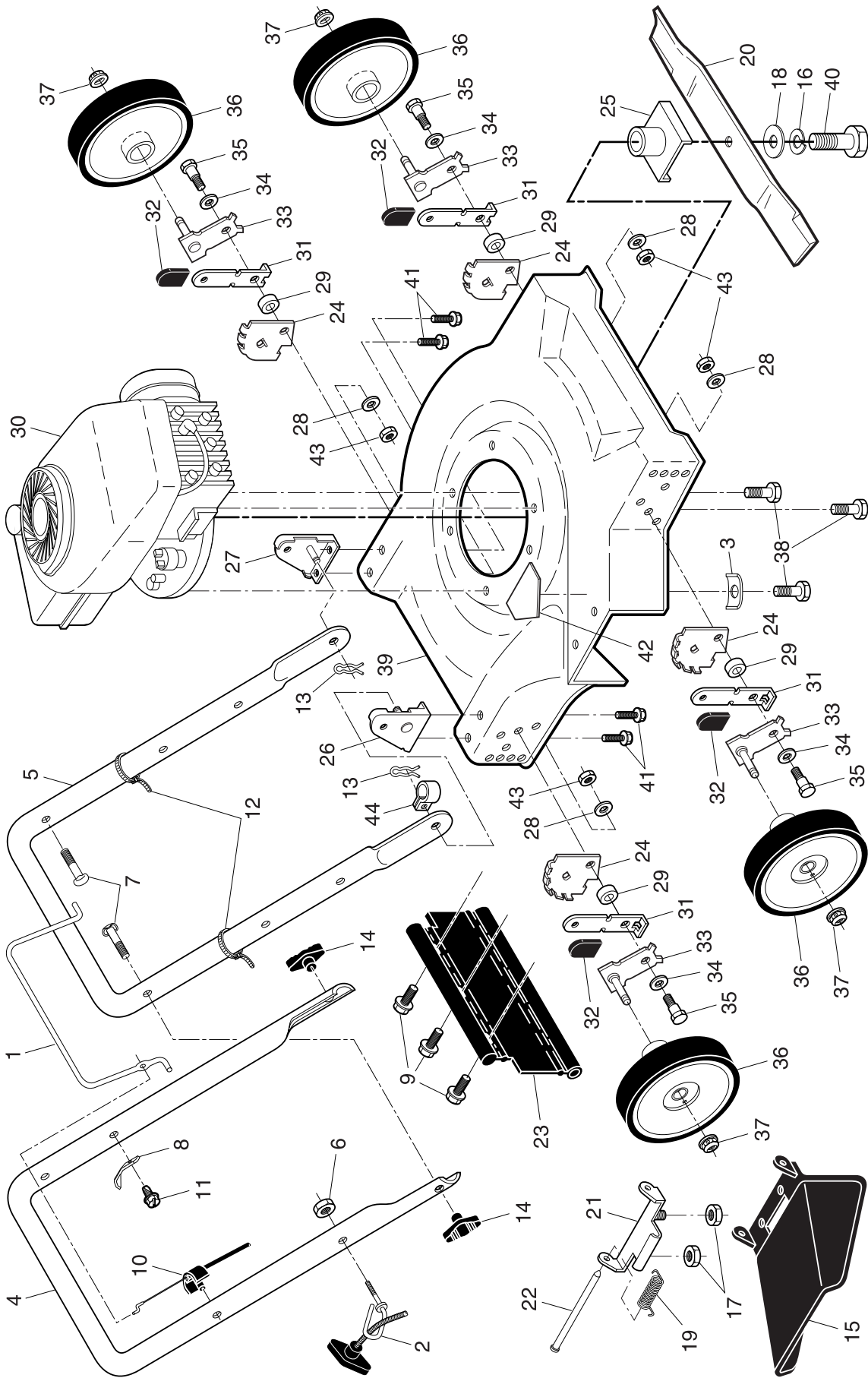


ROTARY LAWN MOWER -- MODEL NUMBER 386090



ROTARY LAWN MOWER - - MODEL NUMBER 386090

| KEY NO. | PART NO. | DESCRIPTION | KEY NO. | PART NO. | DESCRIPTION |
|---------|------------|-------------------------------------|---------|------------|--|
| 1 | 194176X428 | Control Bar | 27 | 170346X479 | Handle Bracket Assembly, LH |
| 2 | 189585 | Rope Guide | 28 | 61537 | Washer |
| 3 | 851201X004 | Washer, Engine, Zinc Plated | 29 | 146630 | Spacer |
| 4 | 194180X479 | Upper Handle | 30 | - - - | Engine, Tecumseh, Model Number LV148EA-334005 (For engine service and replacement parts, call Tecumseh Products at 1-800-558-5402) |
| 5 | 151590X479 | Lower Handle | | | |
| 6 | 132004 | Nut, Hex 1/4-20 | 31 | 700331X004 | Selector Spring |
| 7 | 191574 | Bolt, Handle 5/16-18 x 1-3/4 | 32 | 87877 | Selector Knob |
| 8 | 850733X004 | Up-Stop Bracket | 33 | 145935X479 | Axle Arm Assembly |
| 9 | 189241 | Screw, Hex Washer Head #10-24 x 1/2 | 34 | 62335 | Washer, Belleville |
| 10 | 164322 | Cable, Operator Presence | 35 | 142748 | Bolt, Shoulder |
| 11 | 750634 | Screw | 36 | 193850X427 | Wheel & Tire Assembly |
| 12 | 66426 | Wire Tie | 37 | 83923 | Nut, Hex |
| 13 | 51793 | Hairpin Cotter | 38 | 150406 | Screw, Hex Head, Threaded, Rolled 3/8-16 x 3/4 |
| 14 | 189713X428 | Knob, Handle | 39 | 194952 | Housing Assembly |
| 15 | 752052 | Discharge Guard | 40 | 851084 | Screw, Hex Head, Grade 8, 3/8-24 x 1-3/8 |
| 16 | 850263 | Washer, Lock, Helical Spring 3/8 | 41 | 149741 | Screw, Thread Cutting 5/16-18 x 3/4 |
| 17 | 73800400 | Locknut, Hex 1/4-20 | 42 | 85463 | Decal, Danger |
| 18 | 851074 | Washer, Hardened | 43 | 751592 | Locknut, Hex 3/8-16 |
| 19 | 851855 | Spring, Torsion | 44 | 192770 | Clip, Cable |
| 20 | 145106 | Blade, 20" | - - | 161058 | Decal, Warning (not shown) |
| 21 | 88602 | Hinge Bracket | - - | 193732 | Operator's Manual, English |
| 22 | 150215 | Hinge Rod | - - | 193735 | Operator's Manual, Spanish |
| 23 | 189240 | Rear Skirt | - - | 193848 | Repair Parts Manual, English |
| 24 | 750085X007 | Bracket, Wheel Height Adjustment | | | |
| 25 | 850977 | Blade Adapter | | | |
| 26 | 170345X479 | Handle Bracket Assembly, RH | | | |

NOTE: All component dimensions given in U.S. inches.
1 inch = 25.4 mm

IMPORTANT: Use only Original Equipment Manufacturer (O.E.M.) replacement parts. Failure to do so could be hazardous, damage your lawn mower and void your warranty.