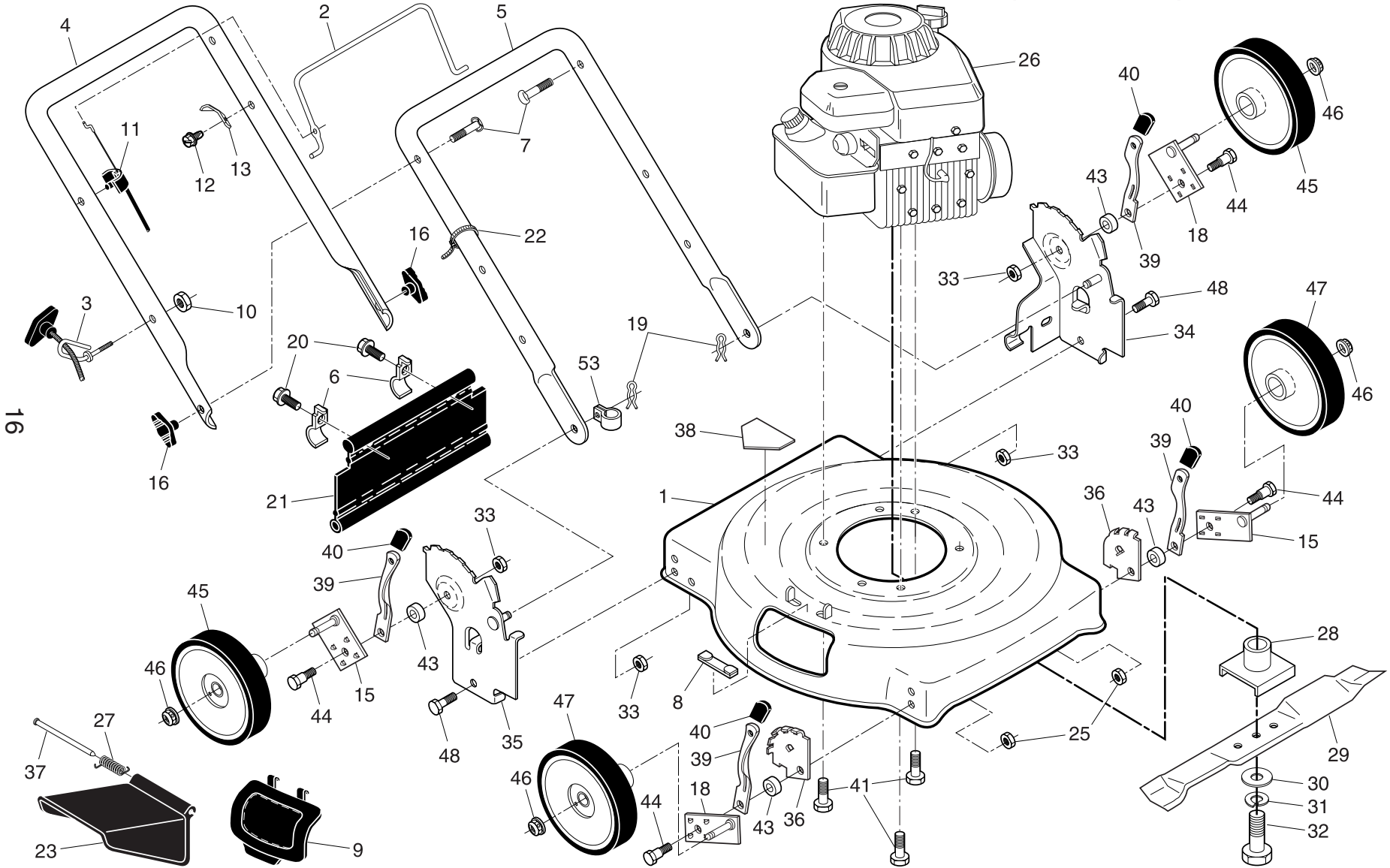


**ROTARY LAWN MOWER -- MODEL NUMBER 224110X92 (224110X92E0)**



**REPAIR PARTS**

For Parts Call K&T 606-678-9623 or 606-561-4983

## ROTARY LAWN MOWER - - MODEL NUMBER 224110X92 (224110X92E0)

KEY NO.	PART NO.	DESCRIPTION	KEY NO.	PART NO.	DESCRIPTION
1	198204	Lawn Mower Housing Assembly (Includes Key Number 38)	27	193436	Torsion Spring
2	194177X428	Control Bar	28	851514	Blade Adapter
3	179585	Rope Guide	29	141114	22" Blade
4	194179X479	Upper Handle	30	851074	Hardened Washer
5	169708X479	Lower Handle	31	850263	Helical Lockwasher 3/8
6	192301X004	Hinge Bracket	32	851084	Hex Head Screw 3/8-24 x 1/4 Grade 8
7	191574	Handle Bolt 5/16-18	33	73930500	Nut, Hex, Centerlock 5/16-18
8	161622	Clip, Closeout	34	168164X479	Support, Wheel Bracket, LH
9	160830	Mulcher Plate	35	168165X479	Support, Wheel Bracket, RH
10	132004	Locknut, Hex 1/4-20	36	160835X007	Adjuster, Wheel Bracket
11	158152	Engine Zone Control Cable	37	160833	Hinge Rod
12	750634	Screw, Hex Head, Threaded, Rolled #10-24 x1/2	38	85463	Danger Decal
13	86899X004	Up-Stop Bracket	39	168360X004	Selector Spring
15	186577X004	Axle Arm Assembly (Rear, RH / Front, LH)	40	87877	Selector Knob
16	189713X428	Handle Knob	43	183901	Washer
18	186578X004	Axle Arm Assembly (Rear, LH / Front, RH)	44	160828	Shoulder Bolt
19	51793	Hairpin Cotter	46	83923	Locknut, Hex 3/8-16
20	750097	Screw	47	193851X460	Wheel & Tire Assembly
21	188987	Rear Deflector	48	17600406	Screw, Hex Head, Serrated, Type TT 1/4 x 20
22	66426	Wire Tie	41	150406	Screw, Hex Head, Threaded, Rolled 3/8-16 x 1
23	160831	Discharge Guard	53	192770	Clip, Cable
25	166785	Nut, Hex	- -	161058	Warning Decal (not shown)
26	- - -	Engine, Briggs & Stratton, Model Number 10H902 (For engine service and replacement parts, call Briggs & Stratton at 1-800-233-3723)	- -	198189	Owner's Manual

**NOTE:** All component dimensions given in U.S. inches. 1 inch = 25.4 mm. **IMPORTANT:** Use only Original Equipment Manufacturer (O.E.M.) replacement parts. Failure to do so could be hazardous, damage your lawn mower and void your warranty.