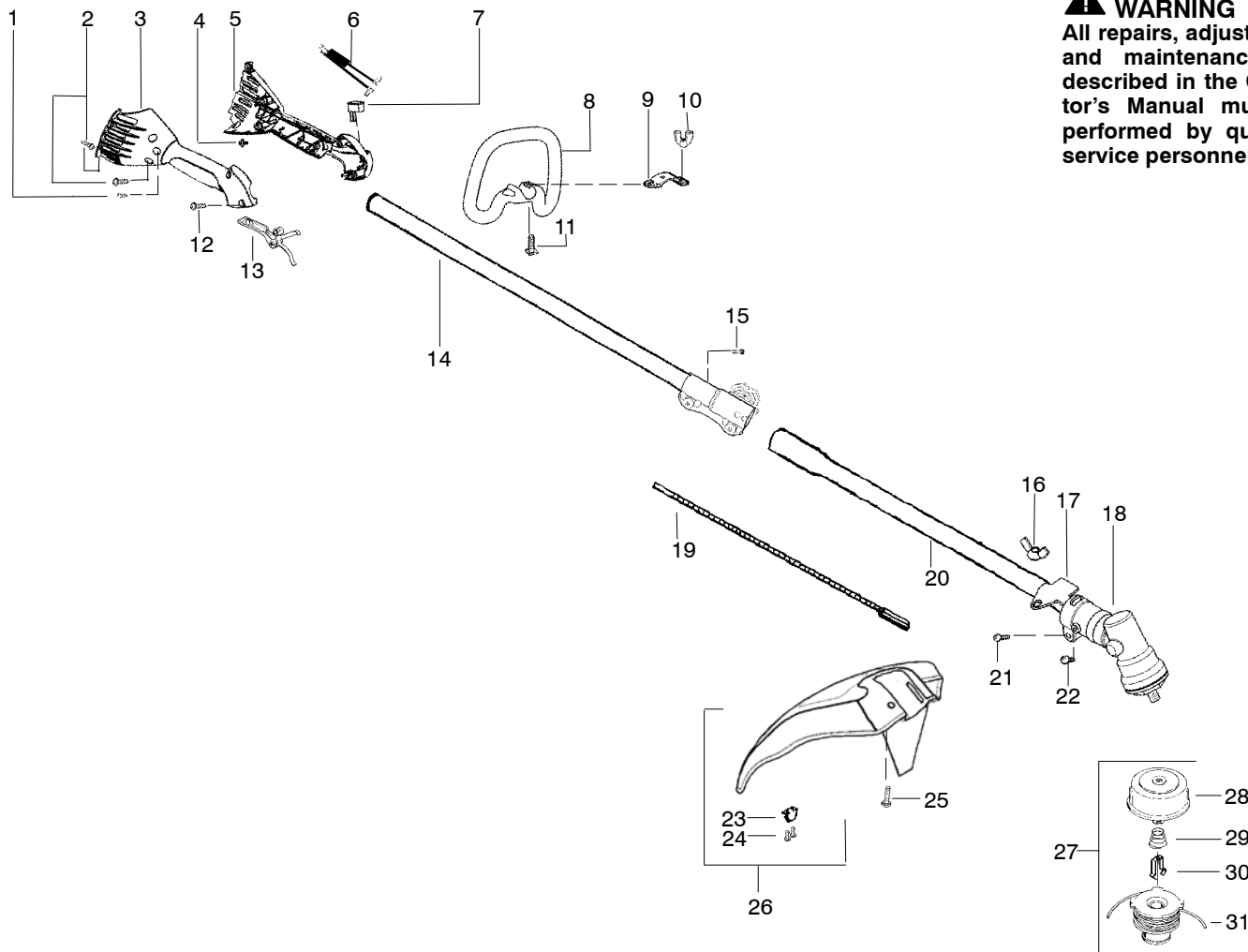


PARTS LIST NO. <b>530164335</b>		<b>Poulan PRO</b> PARTS LIST	MODEL(s) PP136
DATE <b>3/1/05</b>	Replaces 530164335 - 11/23/04		Note: Illustration may differ from actual model due to design changes

**⚠ WARNING**  
All repairs, adjustments and maintenance not described in the Operator's Manual must be performed by qualified service personnel.



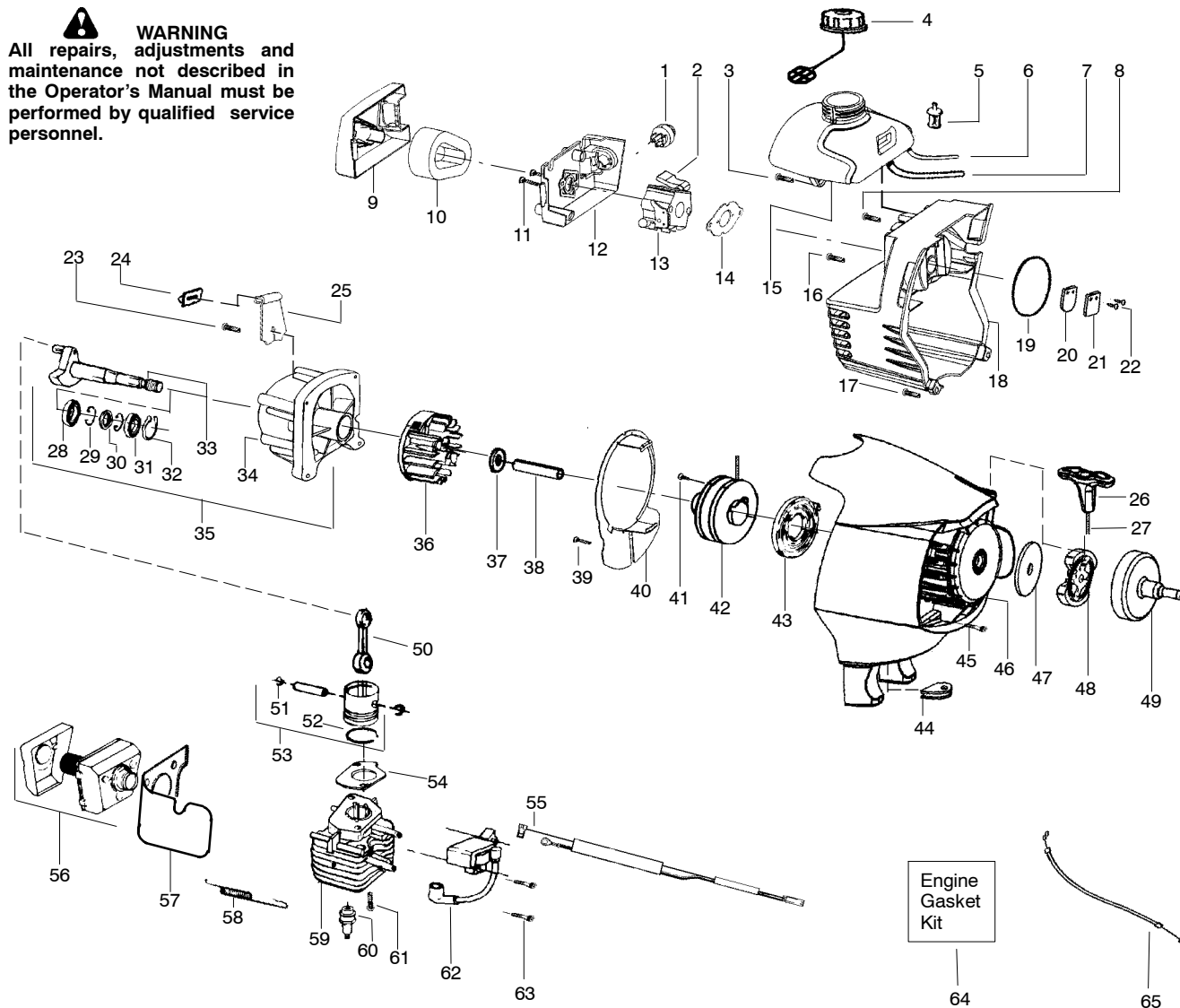
Ref.	Part No.	Description	Ref.	Part No.	Description	Ref.	Part No.	Description
1.	530015805	Screw-alignment	16.	530016152	Wingnut	30.	530401957	Retainer-Spool
2.	530015886	Screw	17.	530057554	Bracket-Shield	31.	952711580	Accy-Wound Spool
3.	530057983	Hsg.-Throttle right	18.	530096099	Gearbox			
4.	530016326	Screw-Cable Retention	19.	530096218	Shaft-Flex (lower)			
5.	530057984	Hsg.-Left throttle	20.	530071789	Assy-Lower Shaft			
6.	530058843	Assy-Wire	21.	530016014	Screw			
7.	530069572	Kit-Switch	22.	530016224	Screw			
8.	530056251	Handle-Assist	23.	530052285	Limiter-Line			
9.	530059185	Clamp-Handle	24.	530015814	Screw			
10.	530016152	Wingnut	25.	530015820	Bolt			
11.	530015820	Bolt	26.	530071765	Kit-Shield Assy. (incl. 23-24)			
12.	530015886	Screw	27.	952711581	Accy-Cutting Head (incl. 28-31)			
13.	530058759	Lever-Throttle	28.	530095772	Assy-Hub/Arbor			
14.	530071791	Assy-Upper Shaft (Incl. flex and clamp)	29.	530053241	Spring-Return			
15.	530016344	Screw					Not Shown	
							530164077	Operator Manual
							530055350	Decal-Shaft Warning
							530056221	Decal-Upper Shaft
							530057369	Decal-Start Inst.

✓ = NEW PART NUMBER FOR THIS IPL

★ = REFER TO THE SERVICE REFERENCE INDICATED FOR MORE INFORMATION. (LOCATED AT END OF IPL)

PARTS LIST NO. <b>530164335</b>		<b>Poulan PRO</b> PARTS LIST	MODEL(s) <b>PP136</b>
DATE <b>3/1/05</b>	Replaces 530164335 - 11/23/04		<b>Note:</b> Illustration may differ from actual model due to design changes

**WARNING**  
All repairs, adjustments and maintenance not described in the Operator's Manual must be performed by qualified service personnel.



Ref.	Part No.	Description	Ref.	Part No.	Description	Ref.	Part No.	Description
1.	530047721	Bulb-Purge	24.	530055492	Isolator-Tank	48.	530055122	Assy-Clutch
2.	530071717	Kit-Choke Lever	25.	530054941	Ret.-Tank	49.	530028799	Drum-Clutch
3.	530015843	Screw-tank	26.	530054834	Handle-Starter	50.	530010960	Assy-Conn. Rod
4.	530049386	Cap-Fuel w/ret.	27.	530071325	Kit-Rope	51.	530015162	Ret.-Piston pin
5.	530095646	Assy-Fuel pickup	28.	530032103	Bearing-Inner	52.	530012595	Ring-Piston
6.	530071404	Kit-Fuel line	29.	530015787	Retainer	53.	530072000-01	Kit-Piston (Incl. 51,52)
7.	530069216	Kit-Fuel/Purge line	30.	530019158	Seal	54.	530071401	Gasket-Cylinder(kit)
8.	530015775	Screw	31.	530032102	Bearing-Outer	55.	530058846	Assy-Leadwire
9.	530054935	Cover-Air box	32.	530015789	Ret.-Crankshaft	56.	530069310	Kit-Muffler
10.	530054946	Filter-Air	33.	530028807	Assy-Crankshaft	57.	530058957	Shield
11.	530015849	Screw-Carb.	34.	530012514	Assy-Crankcase ( Incl. 28-31)	58.	530036409	Spring-Muffler
12.	530054934	Box-Air	35.	530071685	Assy-C'case/C'shaft ( Incl. 32,33,34)	59.	530071581	Kit-Cylinder
13.	530071637	Assy-Carb(WT628)	36.	530055524	Assy-Flywheel	60.	952030249	Plug-Spark (RCJ-6Y)
(Note: Repair kits are not available for this carburetor)			37.	530016030	Washer	61.	530001624	Bolt-Cyl. 1/4-20"
14.	530071401	Gasket-Carb.(kit)	38.	530055620	Spacer	62.	530039218	Module-Ignition
15.	530055317	Assy-Fuel Tank	39.	530015775	Screw-Baffle	63.	530016357	Screw-Module
16.	530015771	Screw-Crankcase	40.	530054939	Plate-Baffle	64.	530071401	Kit-Gasket ( Incl. 14,19, 54)
17.	530015952	Screw-Shroud	41.	530016391	Screw-Rope	65.	530058962	Assy-Throttle cable
18.	530058797	Shroud	42.	530071399	Kit-Pulley(incl.41)			
19.	530071401	O-ring-Shroud (kit)	43.	530042086	Spring-Starter			
20.	530027593	Valve-Reed	44.	530019182	Grommet			
21.	530054596	Stop-Reed	45.	530015810	Screw-F/hsg.			
22.	530016064	Screw-Reed stop	46.	530055248	Assy.-Fan Housing			
23.	530015875	Screw-Retainer	47.	530094189	Washer-Clutch			

✓ = NEW PART NUMBER FOR THIS IPL

\* = REFER TO THE SERVICE REFERENCE INDICATED FOR MORE INFORMATION. (LOCATED AT END OF IPL)