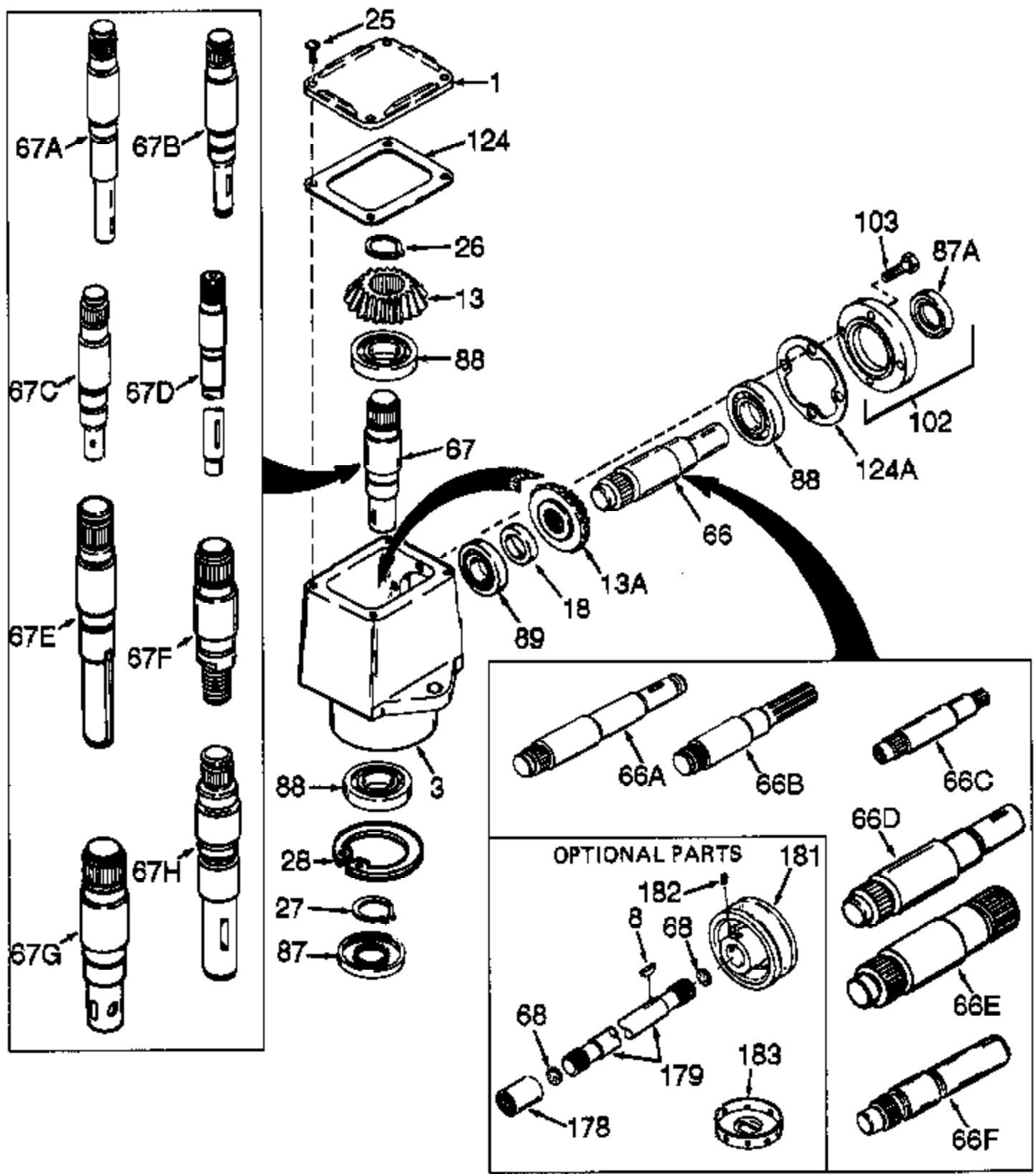


ILLUSTRATION SHOWS TYPICAL PARTS ONLY. ORDER BY PART NUMBER. PARTS NOT LISTED ARE SUPPLIED BY OEM.



Ref #	Part Number	Qty	Description
1	772035		Left Hand Cover
3	770026A		Right Angle Drive Housing
8	792057		Key (With lug extensions)
8	792047		Woodruff Key #9
13	778046		Miter Gear (22 teeth)(7/8" ID)
13A	778046		Miter Gear (22 teeth)(7/8" ID)
25	792025		Screw, 10-24 x 1/2"
26	788018		Snap Ring
27	788019		Snap Ring
66C	776210		Input Shaft (4-3/8" long)
67D	776211		Output Shaft (7-29/32" long)
68	788039		Felt Disc
87	788029		Oil Seal
87A	788031		Oil Seal
88	780034		Ball Bearing
89	780024		Ball Bearing
102	786029		Retainer Cap & Seal (Incl. 87A & 103)
103	792026		Screw, 1/4-20 x 7/8"
124A	788030B		Cap Gasket
124	788028		Cover Gasket
177A	XXXXX		(Not included with head assembly.)
177	XXXXX		THE FOLLOWING ARE OPTIONAL PARTS:
178	786028		Coupling (1-1/2" long)
178	786031		Coupling (1-5/16" long)
179	XXXXX		Input Connector Shaft
181	786030		Sheave (3-1/4" Dia.)
181	786059		Sheave (4" Dia.)
182	792027		Set Screw, 5/16-24 x 1/4
183	786044		Shield

RAD-3872-Part Page 2 of 2
Peerless Oil Seal