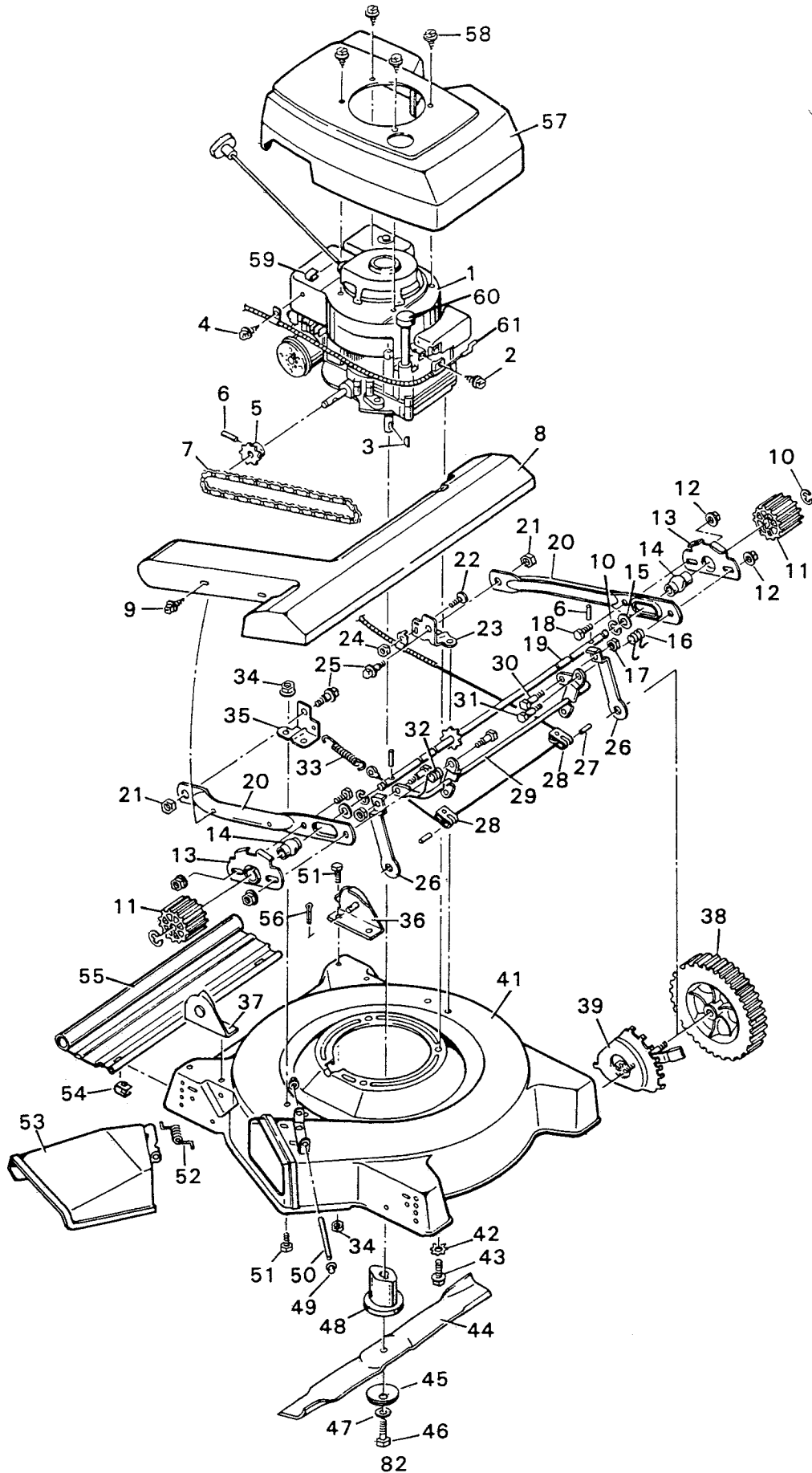


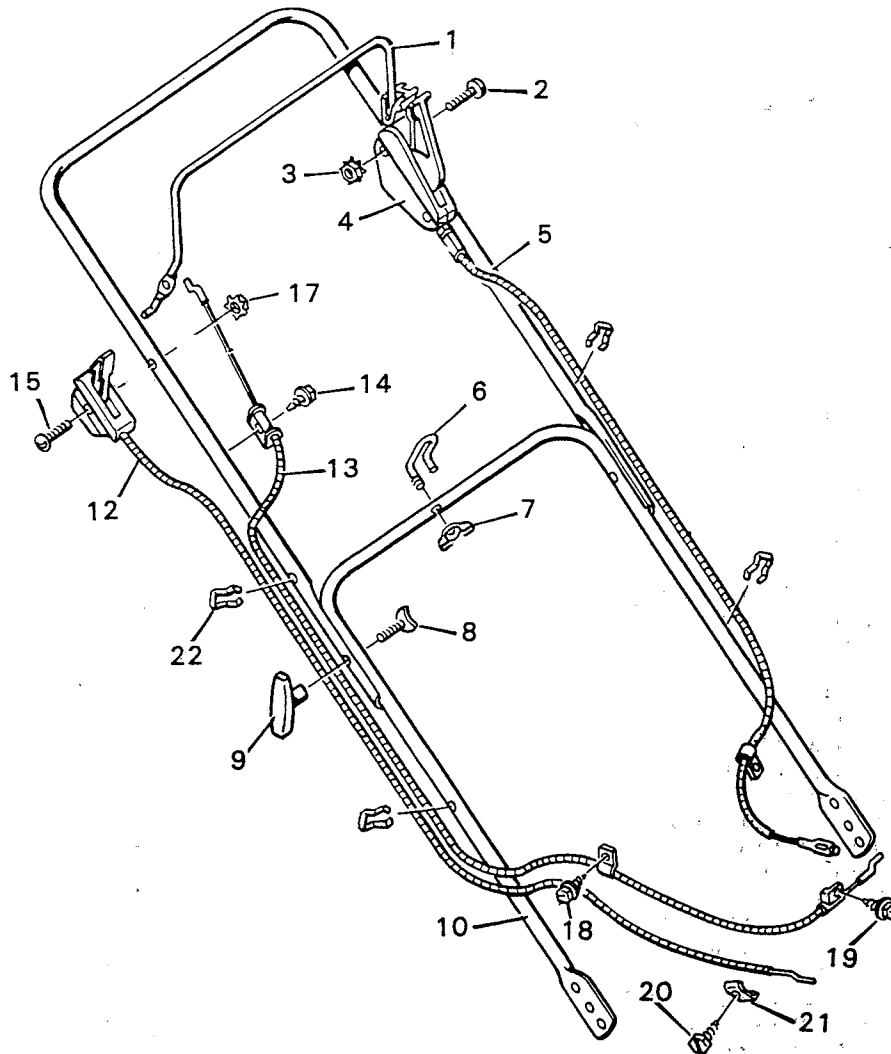
ROTARY MOWER ILLUSTRATION



ROTARY MOWER PARTS LIST

KEY NO	DESCRIPTION	PART NO
1	Engine	-----
2	Screw	6X75
3	Woodruff Key	20062
4	Screw	26X224
5	Sprocket	20411
6	Spring Pin	32X64
7	Chain	20108
8	Pinion & Chain Guard	42575
9	Screw	26X214
10	Retainer Ring	11X8
11	Drive Pinion	20066
12	Hex Nut	15X76
13	Bearing Retainer	42284Z
14	Bearing	20048
15	Washer	17X100Z
16	Torsional Spring, L.H.	166X15
17	Locknut	15X88
18	Bolt	1X45
19	Drive Shaft & Sprocket	22150Z
20	Drive Arm	42285Z
21	Hex Nut	15X84
22	Screw	4X20Z
23	Drive Yoke Support Bracket, L.H.	42741Z
24	Hex Nut	15X71
25	Shoulder Bolt	9X17
26	Wheel Connecting Lever	22970Z
27	Spring Pin	32X70
28	Bracket & Pulley Assembly	22973
29	Tie Rod Assembly	22989Z
30	Shoulder Bolt	9X8
31	Shoulder	9X1
32	Torsional Spring, R.H.	166X14
33	Extension Spring	165X8
34	Hex Nut	15X82
35	Drive Yoke Support Bracket, R.H.	42740Z
36	Handle Bracket, Left	42713
37	Handle Bracket, Right	42712
38	Wheel & Tire	42706
39	Wheel Adjuster Assembly; See page 85.	-----
41	Housing Assembly	70072
42	Shakeproof Washer	19X8
43	Engine Bolt	20103
44	Blade	42786
45	Blade Washer	17X137
46	Hex Bolt	1X69
47	Washer	17X124
48	Blade Adapter	42735
49	Push-On-Cap	28X42
50	Pivot Pin	22326Z
51	Bolt	1X38
52	Torsional Spring	166X5
53	Chute Deflector	42166
54	Retainer	42743
55	Rear Deflector	42747
56	Cotter Pin	30X20
57	Engine Shroud	42577
58	Screw	26X230
59	Rope Stop	42189
60	Oil Fill Extension	42328PA
61	Cable, Engine Stop	42774

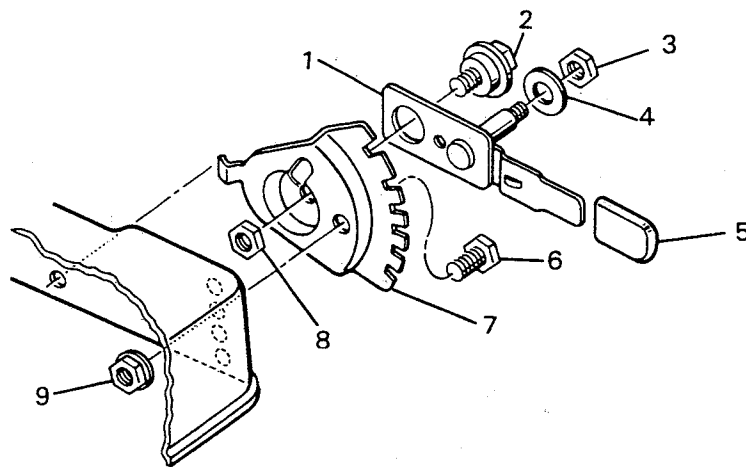
HANDLE PARTS LIST



D-3431

KEY NO	DESCRIPTION	PART NO.	KEY NO	DESCRIPTION	PART NO.
1	Engine Stop Lever	42560C	12	Throttle Control	42093
2	Bolt	3X147	13	Control Cable	42774
3	Keps Nut	15X51Z	14	Screw	26X220
4	Drive Control	42751	15	Bolt	3X105
5	Upper Handle & Grip	42393	17	Keps Nut	15X66
6	U-Bolt	42361Z	18	Screw	26X224
7	Wing Nut	14X81	19	Screw	6X75
8	Contour Bolt	20129Z	20	Screw	26X181
9	Plastic Knob	20266	21	Clamp	20073
10	Lower Handle	42791C	22	Cable Retainer	42188

**DELUXE WHEEL ADJUSTER ASSEMBLY
MODEL 3944A48**



KEY NO.	PART NO.	DESCRIPTION
1	42756	Adjuster Lever, Side Bagger
2	9X26	Shoulder Bolt
3	15X84	Hex Nut
4	17X102Z	Washer
5	20065	Grip
6	1X85	Hex Bolt
7	42753Z	Index Plate-LF,RR
	42754Z	Index Plate-RF,LR
8	15X97	Hex Nut
9	15X68Z	Flange Nut
1-9	400277	Height Adj. Ass'y, Side Bagger (For left front or right rear)
1-9	400278	Height Adj. Ass'y, Side Bagger (For right front or left rear)