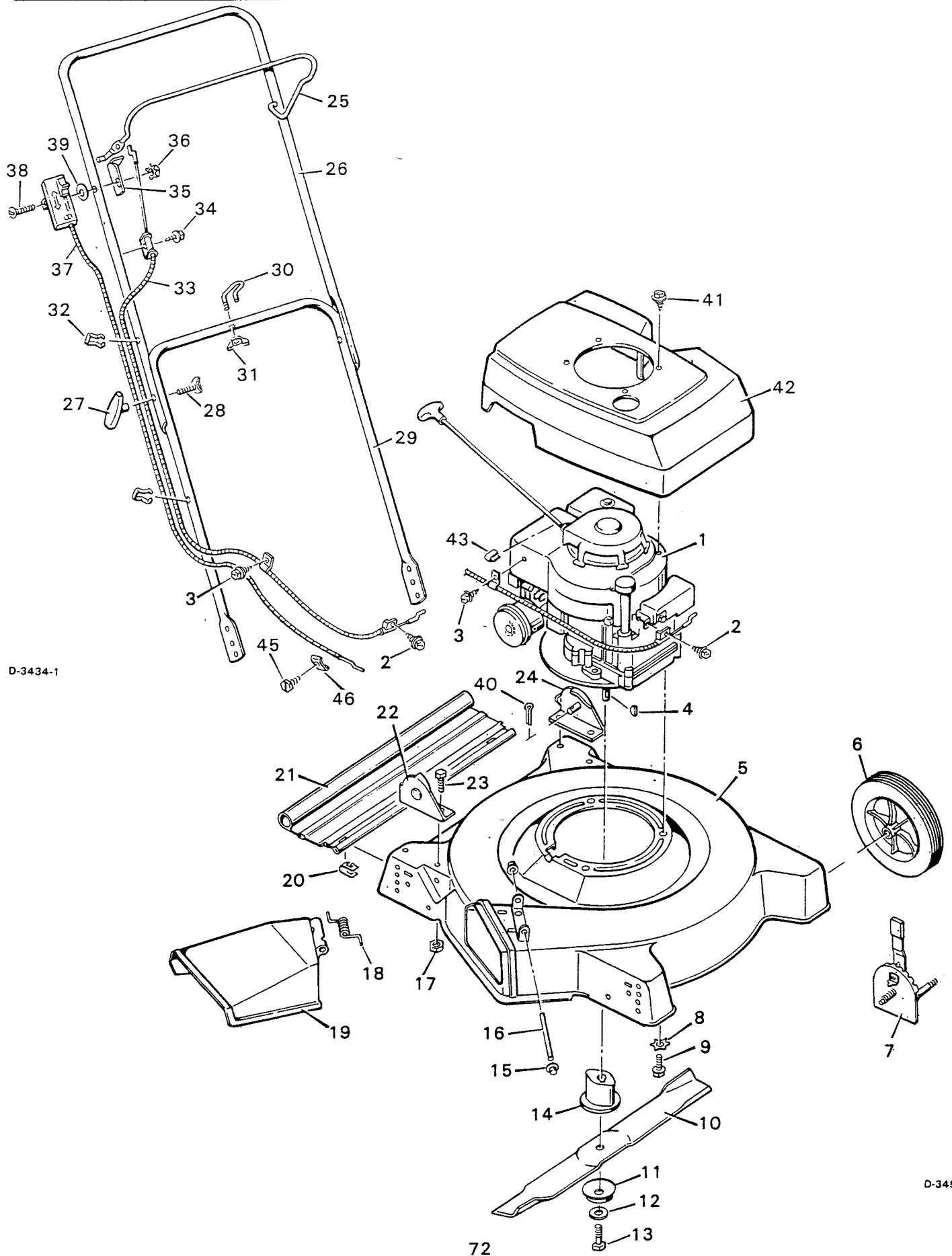


ROTARY MOWER ILLUSTRATION



D-3434-1

D-3450

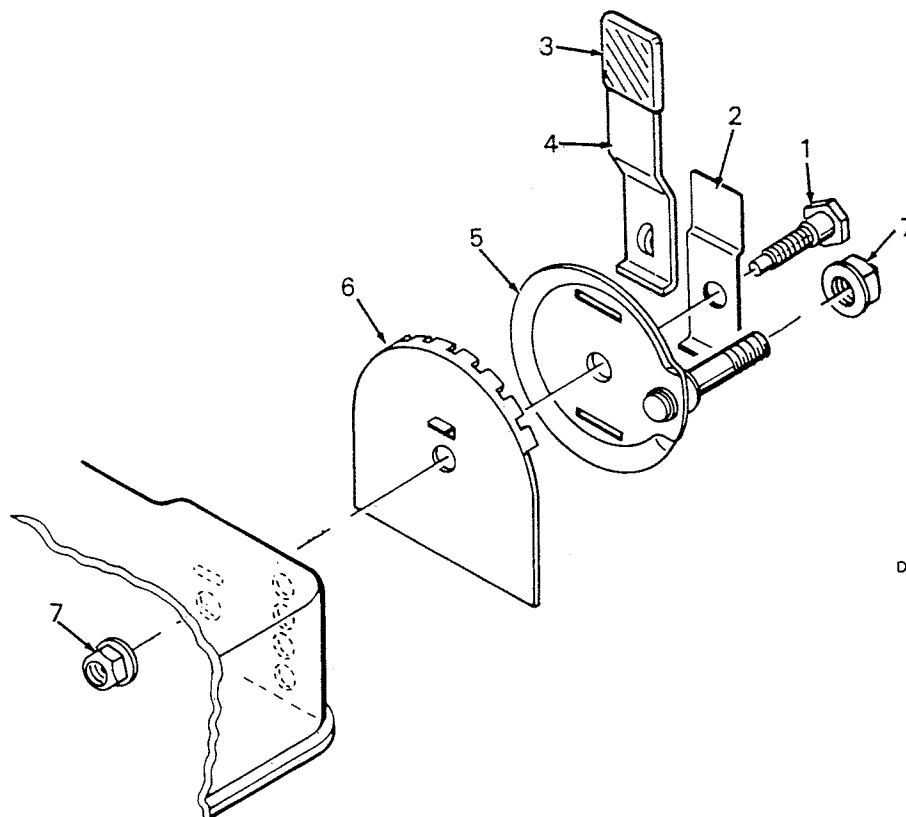
ROTARY MOWER PARTS LIST

KEY NO	PART NO	DESCRIPTION
1	----	Engine
2	6X75	Screw
3	26X224	Screw
4	20062	Woodruff Key
5	70071	Housing
6	42705	Wheel
7	----	Height Adjuster**
8	19X8	Shakeproof Washer
9	20103	Engine Bolt
10	42785	Blade
11	17X137	Blade Washer
12	17X124	Washer
13	1X68	Hex Bolt
14	42734	Blade Adapter
15	28X42	Push-On-Cap
16	22326Z	Pivot Pin
17	15X82	Hex Nut
18	166X5	Torsional Spring
19	42166	Chute Deflector
20	42743	Retainer
21	42746	Rear Deflector
22	42712	Handle Bracket Assy. RH
23	1X38	Bolt
24	42713	Handle Bracket Assy. LH
25	42389C	Engine Stop Lever
26	42789	Handle, Upper
27	20266	Knob
28	20129Z	Bolt
29	42796C	Handle, Lower
30	42361Z	U-bolt
31	14X81	Wingnut
32	42188	Cable Retainer
33	42774	Engine Stop Cable
34	26X220	Screw
35	42748Z	Handle Stop
36	15X66	Hex Nut
37	42776	Throttle Control
38	3X136Z	Bolt
39	17X32Z	Washer
40	30X20	Cotter Pin
41	26X230	Screw
42	42577	Engine Shroud
43	42189	Rope Stop
45	26X181	Screw
46	20073	Clamp

**For height adjuster part, go to page 74.

†The Engine model number is located on the engine.

**STANDARD WHEEL ADJUSTER ASSEMBLY
MODEL 3940A48**



D-3354

KEY NO.	PART NO.	DESCRIPTION
1	9X27	Shoulder Bolt
2	42330	Spring
3	42280	Grip
4	42338Z	Adjuster Lever
5	42596Z	Wheel Adjuster Bracket
6	42336Z	Index Plate
7	15X84	Flange Nut
1-7	400280	Wheel Adjuster Assembly Right Front or Left Rear
1-7	400279	Wheel Adjuster Assembly Left Front or Right Rear