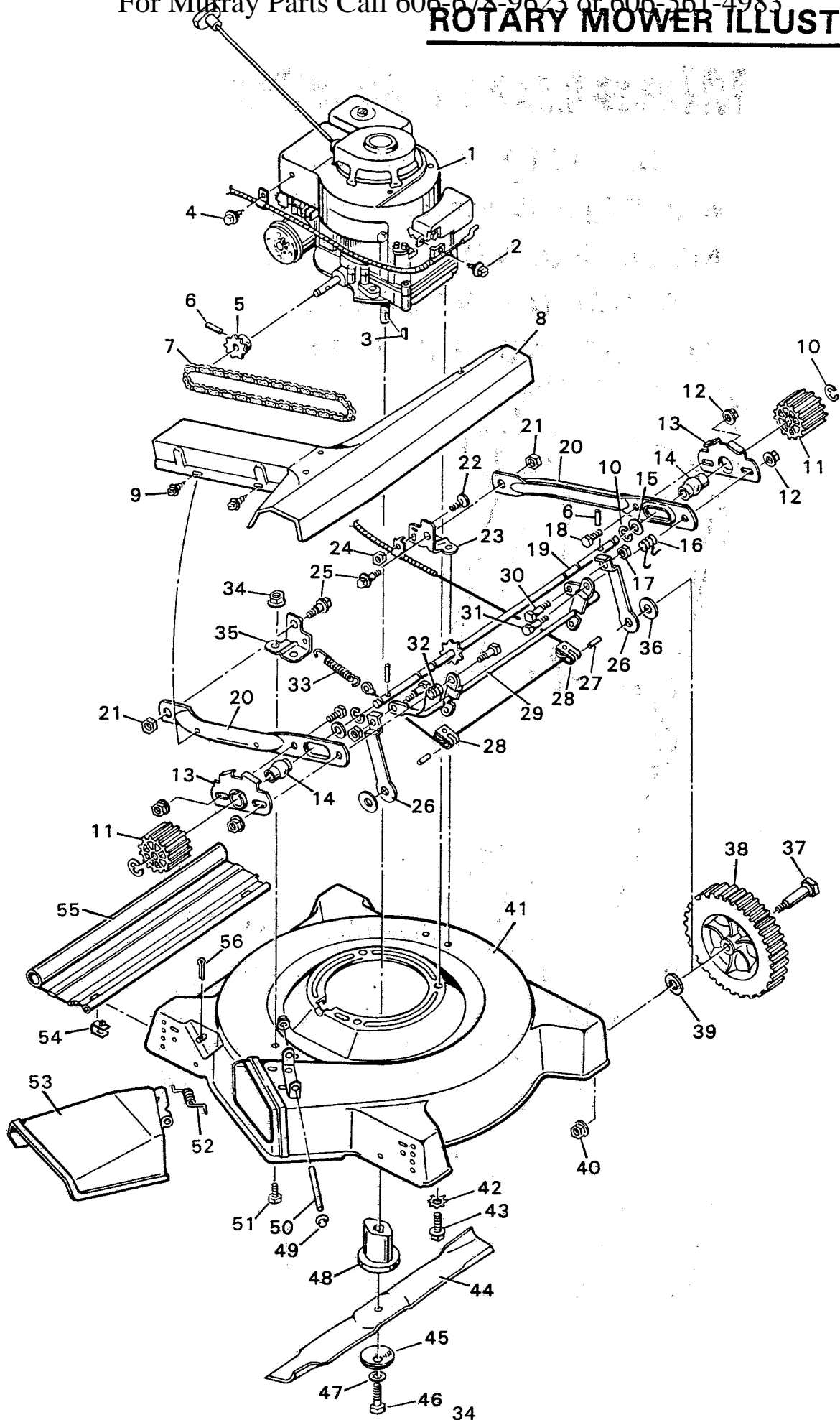


# ROTARY MOWER ILLUSTRATION

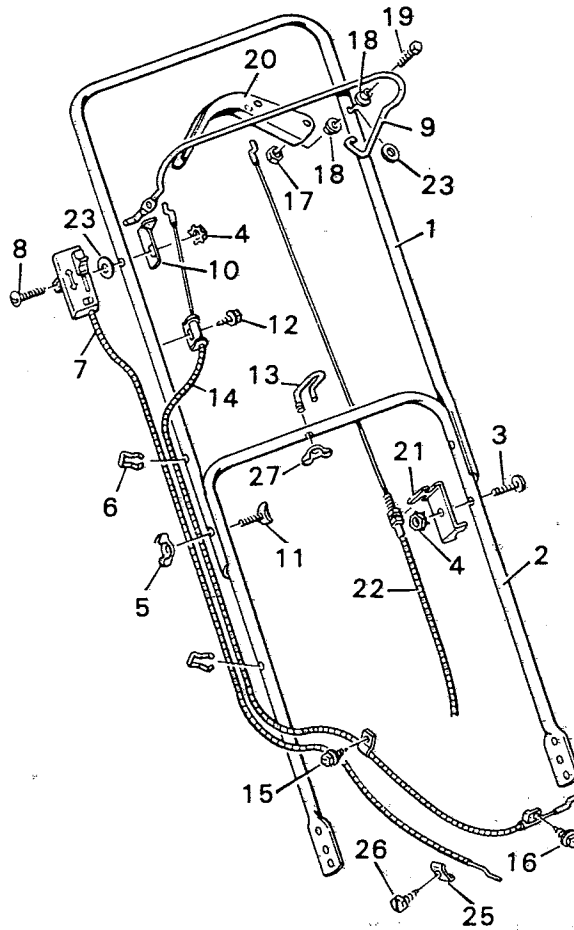


D-3449

# ROTARY MOWER PARTS LIST

KEY NO	DESCRIPTION	PART NO
1	Engine	-----
2	Screw	6X75
3	Woodruff Key	20062
4	Screw	26X224
5	Sprocket	20411
6	Spring Pin	32X64
7	Chain	20108
8	Pinion & Chain Guard	402014
9	Screw	26X214
10	Retainer Ring	11X8
11	Drive Pinion	20066
12	Hex Nut	15X76
13	Bearing Retainer	42284Z
14	Bearing	20048
15	Washer	17X100Z
16	Torsional Spring, L.H.	166X15
17	Locknut	15X88
18	Bolt	1X45
19	Drive Shaft & Sprocket	22983Z
20	Drive Arm	42285Z
21	Hex Nut	15X84
22	Screw	4X20
23	Drive Yoke Support Bracket, L.H.	42741Z
24	Hex Nut	15X71
25	Shoulder Bolt	9X17
26	Wheel Connecting Lever	22954Z
27	Spring Pin	32X70
28	Bracket & Pulley Assembly	22973
29	Tie Rod Assembly	22989Z
30	Shoulder Bolt	9X8
31	Shoulder	9X1
32	Torsional Spring, R.H.	166X14
33	Extension Spring	165X8
34	Hex Nut	15X82
35	Drive Yoke Support Bracket, R.H.	42740Z
36	Spacer	22941
37	Axle Bolt, for front wheel	9X6
	Axle Bolt, for rear wheel	9X10Z
38	Wheel & Tire	20105
39	Washer	10851Z
40	Hex Nut, Axle	15X68Z
41	Housing Assembly	70068
42	Shakeproof Washer	19X8
43	Engine Bolt	20103
44	Blade	20046
45	Blade Washer	17X137
46	Hex Bolt	1X69
47	Washer	17X124
48	Blade Adapter	42735
49	Push-On-Cap	28X42
50	Pivot Pin	22326Z
51	Bolt	1X38
52	Torsional Spring	166X5
53	Chute Deflector	42166
54	Retainer	42743
55	Rear Deflector	42747
56	Cotter Pin	30X35

# HANDLE PARTS LIST



D-3453

KEY NO.	DESCRIPTION	PARTS NO.
1	Upper Handle	42375C
2	Lower Handle	42791C
3	Bolt	3X136Z
4	Keps Nut	15X66
5	Wingnut	14X83Z
6	Cable Retainer, Metal	42188
7	Throttle Control, Slide	42776
8	Bolt	3X105
9	Engine Stop Lever	42387C
10	Handle Stop	42748C
11	Bolt	6X73Z
12	Screw	26X220
13	U-Bolt	42361Z
14	Engine Stop Cable	42771
15	Screw	26X224
16	Screw	6X75
17	Flange Locknut	15X89
18	Spacer	42360
19	Bolt	1X90
20	Clutch Lever	42390C
21	Clutch Cable Bracket	42679Z
22	Clutch Cable	42565
23	Washer	17X32Z
24	Clamp	20073
25	Clamp	20073
26	Screw	26X181
27	Wingnut	14X81