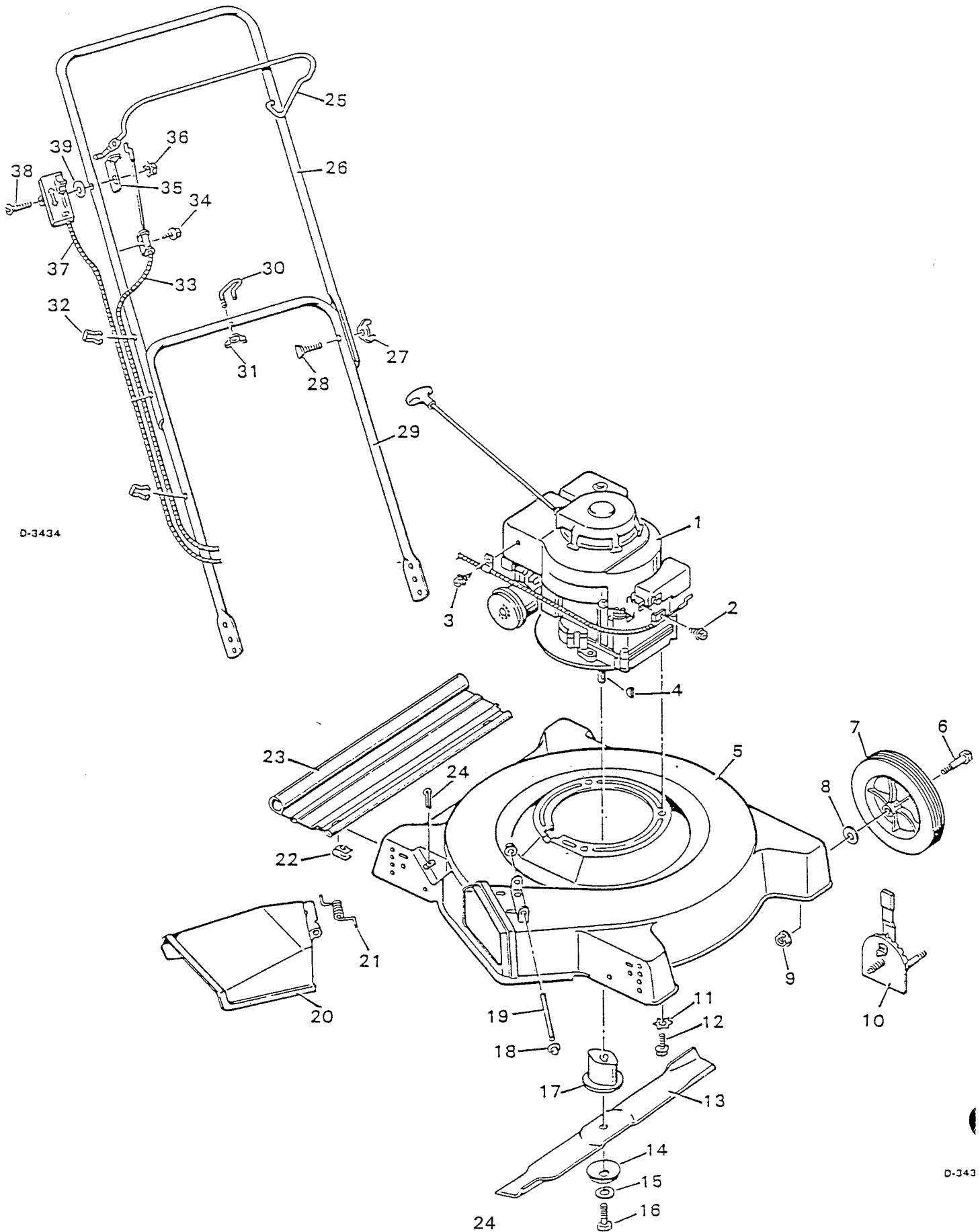


# ROTARY MOWER ILLUSTRATION



D-3434

D-343

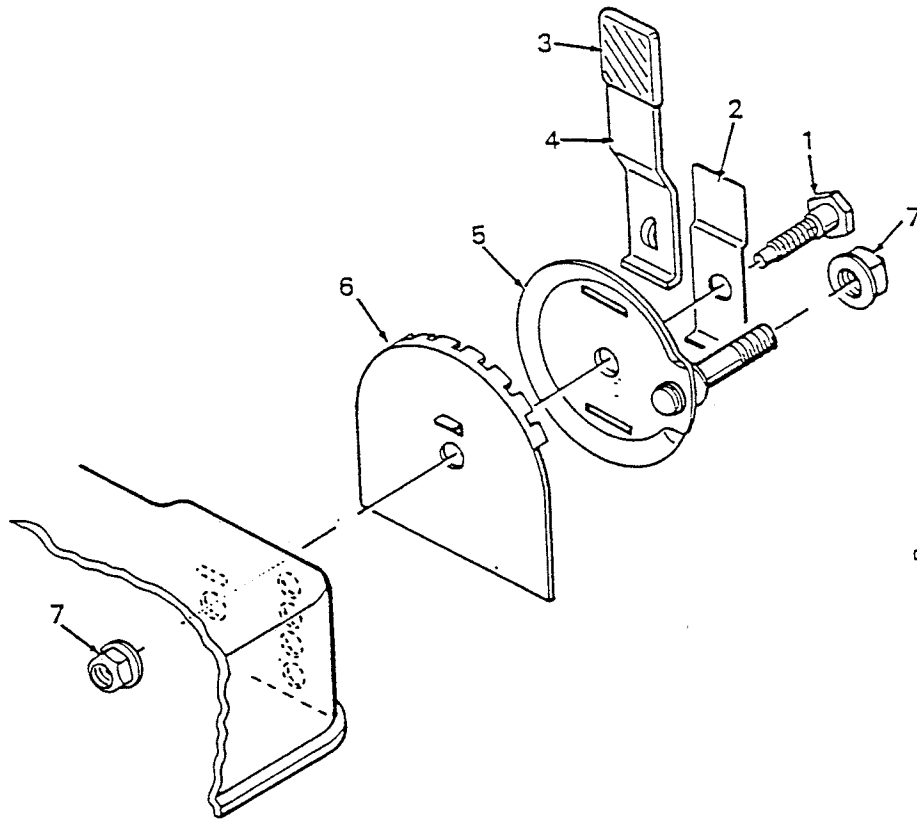
## ROTARY MOWER PARTS LIST

KEY NO	20"	DESCRIPTION
1	---	Engine †
2	6X75	Screw
3	26X224	Screw
4	20062	Woodruff Key
5	70067	Housing
6	9X10Z	Axle Bolt, Model No.MOM3820A48
7	20270	Wheel, Model No.MOM3820A48
	20273	Wheel, Model No.MOM3830A48
	----	Wheel, Model No.MOM3832A48
8	10851Z	Washer, Model No.MOM3820A48
9	15X68Z	Hex Nut, Model No.MOM3820A48
10	----	Height Adjuster**
11	19X8	Shakeproof Washer
12	20103	Engine Bolt
13	42785	Blade
14	17X137	Blade Washer
15	17X124	Washer
16	1X68	Hex Bolt
17	42734	Blade Adapter
18	28X42	Push-On-Cap
19	22326Z	Pivot Pin
20	42166	Chute Deflector
21	166X5	Torsional Spring
22	42743	Retainer
23	42746	Rear Guard
24	30X35	Cotter Pin
25	42389C	Engine Stop Lever
26	42798C	Handle, Upper
27	14X83Z	Wingnut
28	6X73Z	Bolt
29	42796C	Handle, Lower
30	42361Z	U-Bolt
31	14X81	Wingnut
32	42188	Cable Retainer
33	42771	Engine Stop Cable
34	26X220	Screw
35	42748Z	Handle Stop
36	15X66	Hex Nut
37	42776	Throttle Control
38	3X136Z	Bolt
39	17X32Z	Washer

\*\*For height adjuster part, go to page 26.

†The Engine model number is located on the engine.

**STANDARD WHEEL ADJUSTER ASSEMBLY  
MODEL 3820A48**



D-3354

KEY NO.	PART NO.	DESCRIPTION
1	9X27	Shoulder Bolt
2	42330	Spring
3	42280	Grip
4	42338Z	Adjuster Lever
5	42596Z	Wheel Adjuster Bracket
6	42336Z	Index Plate
7	15X84	Flange Nut
1-7	400280	Wheel Adjuster Assembly Right Front or Left Rear
1-7	400279	Wheel Adjuster Assembly Left Front or Right Rear