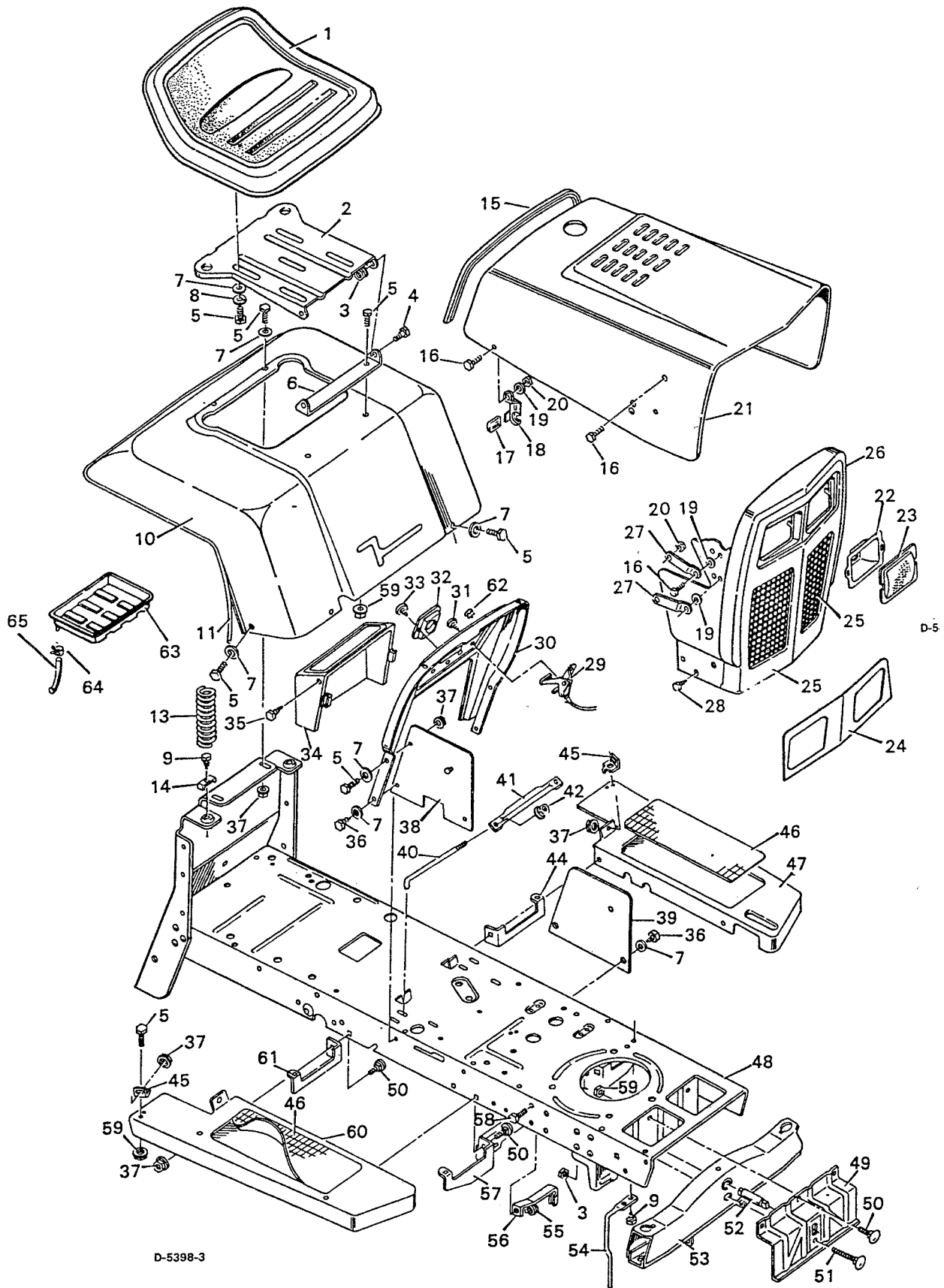


MODEL NO. 9-38219

CHASSIS & HOC



D-5398-3

CHASSIS & HOOD

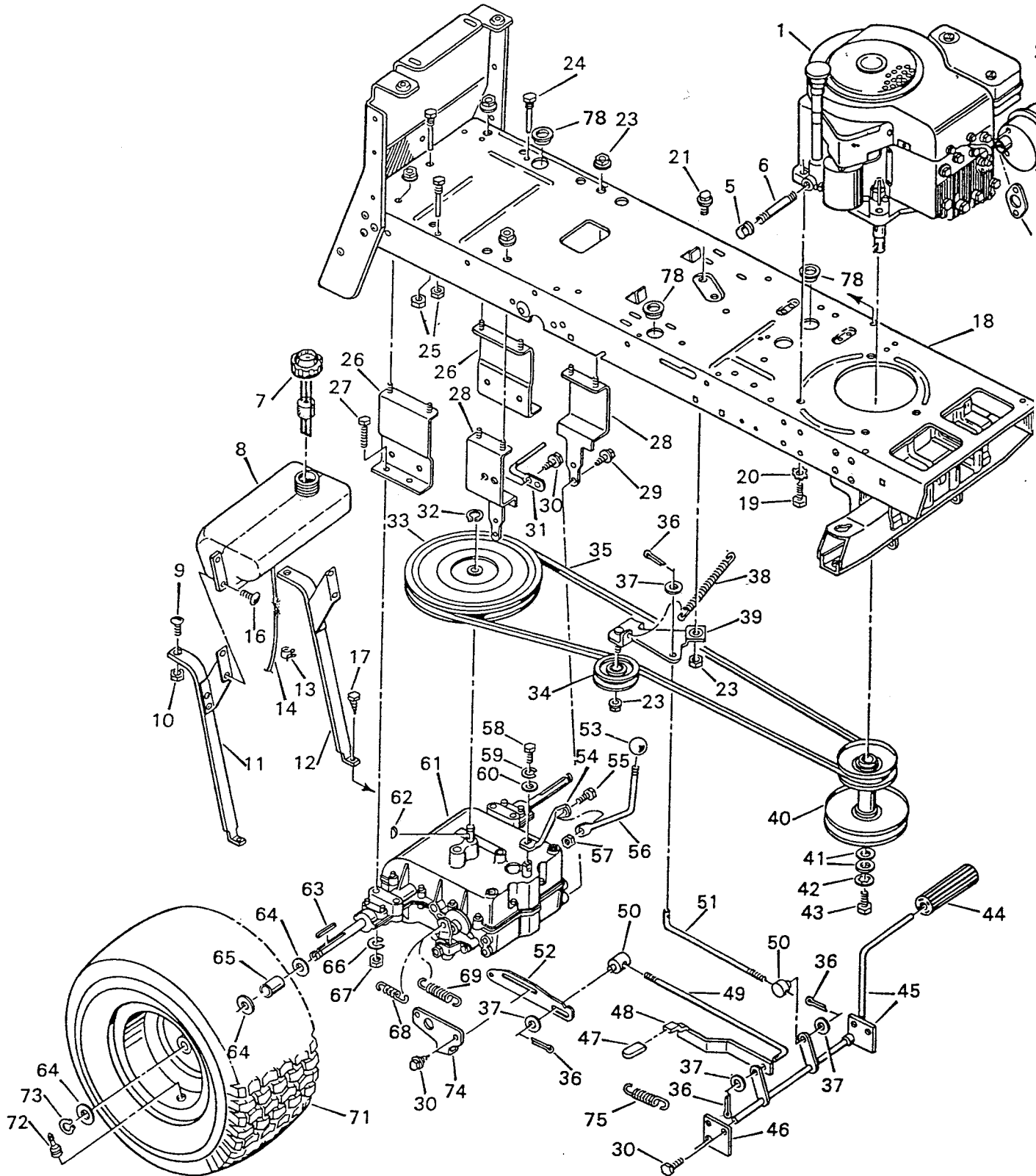
MODEL NO. 9-38219

KEY NO.	DESCRIPTION	PART NO.	KEY NO.	DESCRIPTION	PART NO.
1	Seat	91450	37	Nut, Hex Flange 5/16"-18	15x79Z
2	Support, Seat	91044F200	38	Plate Assembly, Right Side	23292F200
3	Locknut, Flange 3/8"-16	15x84	39	Plate Assembly, Left Side	23293F200
4	Bolt, Shoulder 3/8"-16x7/8"	9x17	40	Rod, Battery Clamp	21762Z
5	Bolt, Hex 5/16"-18x5/8"	1x45	41	Clamp, Battery	21761Z
6	Bracket, Seat Pivot	90031F200	42	Locknut, Hex Flange 1/4"-20	15x82
7	Washer	17x47Z	44	Bracket, Left Running Board	23391F200
8	Lockwasher	18x16	45	Bracket	23372
9	Screw	26x49	46	Mat, Running Board	91902
10	Deck, Seat	90659F200	47	Board, Left Running	21935F200
11	Trim, Plastic Seat Deck	21789	48	Channel, Frame	402064
13	Spring, Seat	164x17F200	49	Hanger, Front Axle	23829F200
14	Retainer, Spring	90014F200	50	Bolt, Carriage 5/16"-18x5/8"	2x53
15	Trim, Vinyl Hood*	21765	51	Bolt, Carriage 3/8"-24x3/4"	2x60
16	Screw, Machine No. 10-24x5/8"*	4x21	52	Pin, Pivot	21469F200
17	Grip, Hood Latch*	21434	53	Axle Assembly, Front	21441F200
18	Latch	21798Z	54	Guide, Stack Pulley Belt	23789Z
--	Latch	21799Z	55	Nut, Keps 1/4"-20	15x66
19	Washer*	17x17Z	56	Guide, Belt	23826Z
20	Nut, Hex No. 10-24*	15x81	57	Support, Front Running Board	24105F200
21	Hood Assembly, Complete (See note below)	24084F200	58	Bolt, Hex 1/4"-20x5/8"	1x38
22	Reflector	90009C	59	Locknut, Hex Flange 5/16"-18	15x88
23	Lens	90082	60	Board, Right Running	23394F200
24	Trim, Headlight	90654C	61	Bracket, Right Running Board	23390F200
25	Screen, Right Grille	24089E701	62	Plug	91381
--	Screen, Left Grille	24254E701	63	Tray, Battery	91895
26	Grille Assembly, Complete	90667F200	64	Clamp, Tube	91565
27	Pivot Bar	23046	65	Tube, Battery Drain	91566
28	Screw	26x202	--	Assembly Parts Bag	91579
29	Throttle Control	91987	--	Instruction Book, Tractor	F-89712
30	Control Panel	91580F200	--	Repair Parts Book	F-89708
31	Screw, Tap	26x201	--	Instruction Book, Mower Housing	F-88716
32	Bearing, Steering Post	21707	--	Decal Left Hood	58x837
33	Screw, Tap	26x186	--	Decal Right Hood	58x838
34	Cover, Battery	23940	--	Decal Grille	58x834
35	Screw, Tap	26x214	--	Decal Seat Deck Left	43x259
36	Screw, Tap	26x197	--	Decal Seat Deck Right	43x260

NOTE: Parts that have an asterisk (*) in the description are included with key number 21.

MODEL NO. 9-38219

DRIVE SYSTEM



DRIVE SYSTEM

MODEL NO. 9-38219

KEY NO.	DESCRIPTION	PART NO.	KEY NO.	DESCRIPTION	PART NO.
1	Engine***	---	41	Washer	17x103
2	Bolt, Hex 5/16"-18x4 1/8"	1x134	42	Washer, Star	19x35
3	Muffler	91271	43	Bolt, Hex 7/16"-20x1"	1x80
5	Plug, Oil Drain	21651	44	Pedal, Clutch/Brake	21544
6	Extension, Oil Drain	24066	45	Lever Assembly, Clutch/Brake	91332F200
7	Cap, Fuel	24064	46	Bracket, Support	23358F200
8	Tank, Fuel	23300	47	Grip, Parking Brake	24235
9	Bolt, Carriage 1/4"-20x3/4"	2x67	48	Parking Brake Arm	24201Z
10	Locknut, Hex Flange 1/4"-20	15x89	49	Rod, Brake	23375Z
11	Support, Right Fuel Tank	24334E701	50	Nut, Adjusting	21920
12	Support, Left Fuel Tank	24335E701	51	Rod, Clutch	24431Z
13	Clamp, Hose (Gas Tank - Yellow)	91174	52	Plate, Brake Link	24425Z
--	Clamp, Hose (Filter - Red)	23713	53	Knob, Shift Lever	20739
14	Line, Fuel	90672	54	Shift Lever, Lower	23157Z
16	Screw, Tap 1/4"x1/2"	26x214	55	Bolt, Hex 5/16"-18x1"	1x84
17	Screw, Tap	26x197	56	Shift Lever, Upper	23720Z
18	Channel, Frame	402064	57	Locknut, Hex Flange 5/16"-18	15x88
19	Bolt, Engine Mount	25x6	58	Bolt, Hex 1/4"-28x5/8"	1x82
20	Washer, Star	19x8	59	Lockwasher	18x32
21	Bolt, Shoulder 3/8"-16x7/8"	9x15	60	Washer	17x37Z
23	Locknut, Hex Flange 3/8"-16	15x84	61	Transaxle** (Peerless No. 801-016B)	---
24	Guide Bolt	20619	62	Key No. 9, Woodruff	20697
25	Nut, Hex Flange 5/16"-18	15x79	63	Key, Square 3/16"x2"	21553
26	Bracket, Rear Transaxle	23154F200	64	Washer	17x160
27	Bolt, Hex 5/16"-18x2 3/8"	1x99	65	Tube, Rear Axle	87x63Z
28	Bracket, Front Transaxle	24036F200	66	Lockwasher	18x15
29	Screw 5/16"x1"	26x207	67	Nut, Hex 5/16"-18	15x2
30	Screw, Tap 5/16"x1/2"	26x49	68	Spring, Extension	165x20
31	Guide, Belt	24030Z	69	Spring, Extension	165x41
32	Ring, Retainer	11x7	70	Tire Only*	24430
33	Pulley, Drive	75073	71	Wheel Only	91627E804
34	Idler Pulley, Backside	23339	72	Valve Stem & Cap	24373
35	Belt, Motion Drive	37x11	73	E-Ring	11x3
36	Pin, Cotter	30x20	74	Support, Link Plate	24426
37	Washer	17x53Z	75	Spring, Extension	165x58
38	Spring, Extension	165x17	76	Gasket	91309
39	Bracket Assembly, Idler	24035Z	77	Shield, Heat	91277
40	Pulley, Engine Stack	91557Z	78	Grommet	21268

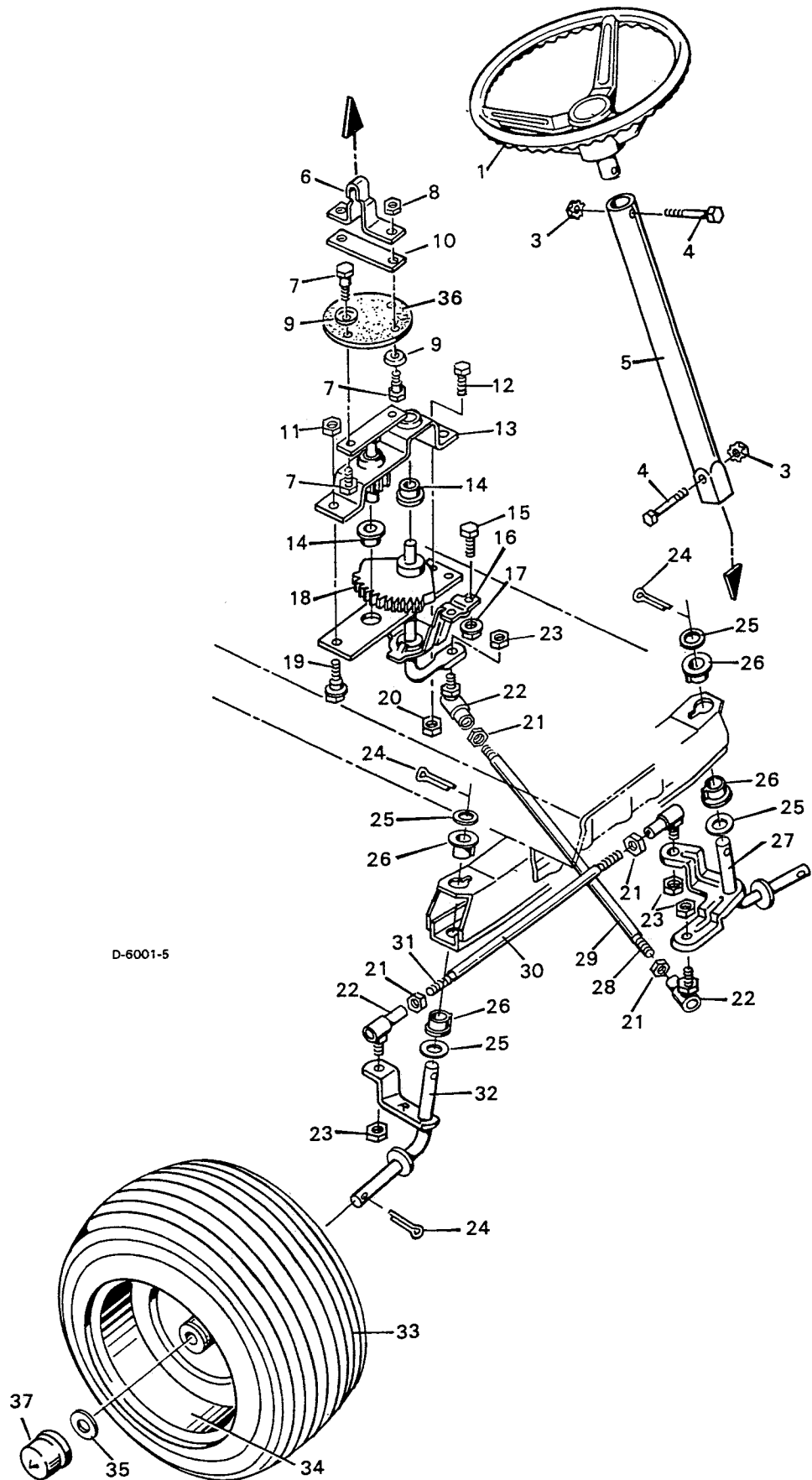
*** NOTE: The model, type, and code numbers of the engine are on the engine. All parts to the engine are available from a Briggs & Stratton Service Center. See the yellow pages under, "Engines, Gasoline" or "Gasoline Engines" in the telephone directory.

** NOTE: Replacement parts for the transaxle are available from a Tecumseh Authorized Service Center. See the yellow pages under, "Engines, Gasoline" or "Gasoline Engines" in the telephone directory.

* NOTE: For replacement parts, always give the name on the side of the tire so that the tread pattern will be the same.

MODEL NO. 9-38219

STEERING



D-6001-5

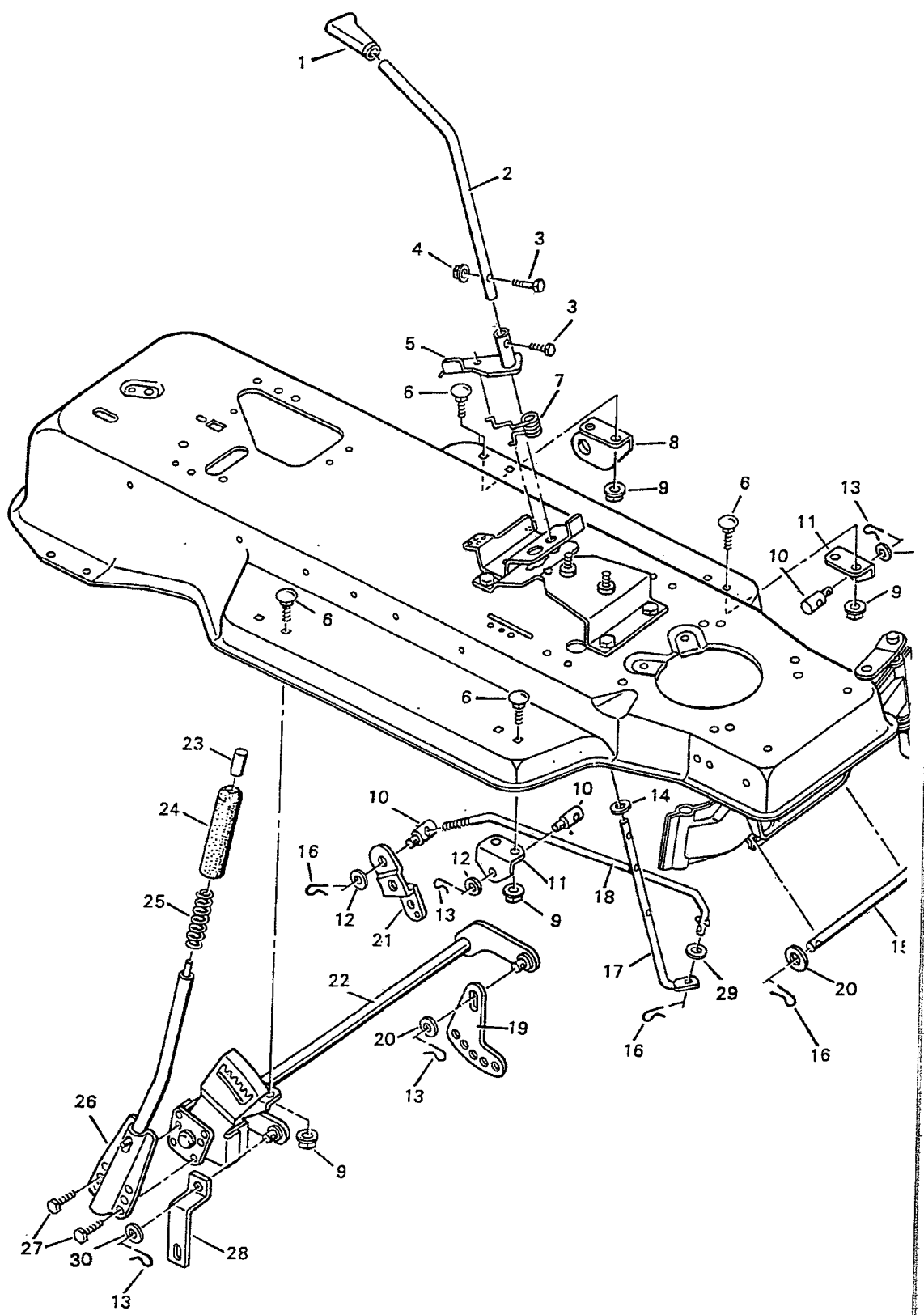
STEERING**MODEL NO. 9-38219**

KEY NO.	DESCRIPTION	PART NO.
1	Steering Wheel	91837
3	Keps Nut $\frac{5}{16}$ "-18	15x76
4	Hex Bolt $\frac{5}{16}$ "-18x1 $\frac{3}{4}$ "	1x75
5	Steering Post	24345C
6	Upper Steering Plate	21489F200
7	Shoulder Bolt	9x37
8	Flange Locknut $\frac{1}{4}$ "-20	15x89
9	Formed Washer	91530
10	Coupling Plate	21490F200
11	Flange Locknut $\frac{3}{8}$ "-16	15x84
12	Hex Bolt $\frac{5}{16}$ "-15x $\frac{5}{8}$ "	1x45
13	Steering Gear Bracket Assembly	21492F200
14	Bearing	20587
15	Hex Bolt $\frac{5}{16}$ "-15x $\frac{5}{8}$ "	1x45
16	Steering Bracket	21693F200
17	Flange Locknut $\frac{5}{16}$ "-18	15x79
18	Steering Gear Assembly	21692F200
19	Hex Bolt $\frac{3}{8}$ "-16x $\frac{3}{4}$ "	1x85
20	Flange Locknut $\frac{5}{16}$ "-18	15x88
21	Hex Nut	15x61
22	Steering Ball Joint	21031
23	Flange Locknut $\frac{3}{8}$ "-24	15x87
24	Cotter Pin	30x49
25	Washer	17x83Z
26	Spindle Bearing	23820
27	Left Spindle Assembly	24229F200
28	Drag Link Rod	21482
29	Sleeve, Drag Link Rod 10.5" Long	156x1F200
30	Sleeve, Tie Rod - 14" Long	156x2F200
31	Tie Rod	21475
32	Right Spindle Assembly	24228F200
33	Tire Only*	24376
34	Wheel Only	91633E804
--	Valve Stem & Cap	24373
--	Wheel Bearing	91334
--	Tire Tube	407047
35	Washer	17x115
36	Steering Disc	91529
37	Hub Cap - Optional	21662

* NOTE: For replacement parts, always give the name on the side of the tire so that the tread pattern of the tires will match.

39 + 40

MOWER SUSPENSIO

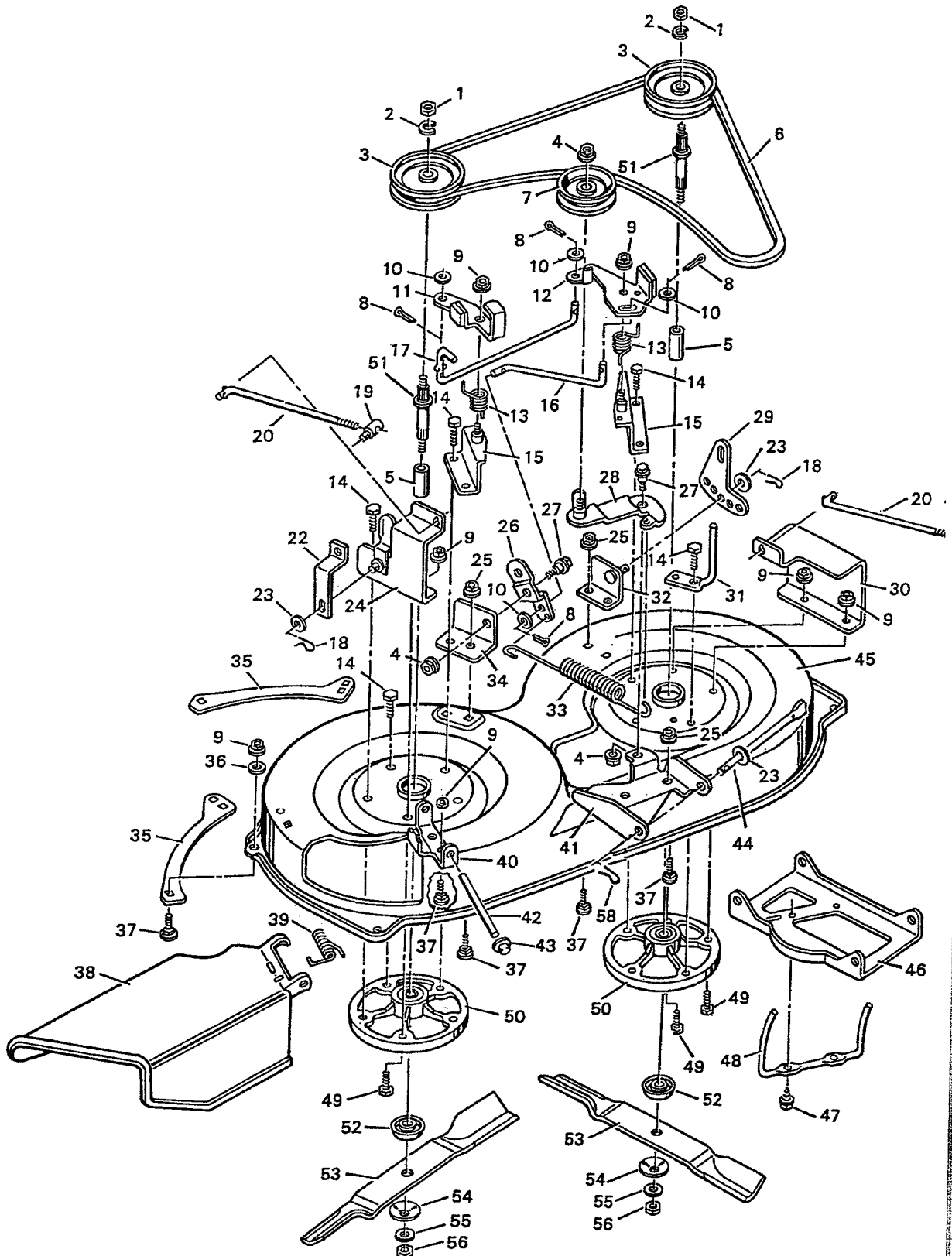


MOWER SUSPENSION

KEY NO.	DESCRIPTION	PART NO.
1	Grip	55449
2	Lever, Blade Control	91781Z
3	Bolt, Hex	25x3
4	Locknut, Hex	15x67
5	Lever Assembly, Switch	91917F200
6	Bolt, Carriage	2x53
7	Spring, Torsion	166x32
8	Bracket, Left Rear Hanger	91737F200
9	Nut, Flange	15x79
10	Nut, Adjusting	21920
11	Bracket, Adjuster Rod	91747F200
12	Washer	17x124
13	Pin, Hair	31x4
14	Washer	17x67
15	Pin, Pull	90827Z
16	Pin, Hair	31x6
17	Lever, Lower Blade Control	91787F200
18	Rod, Blade Control	91795Z
19	Plate, Adjuster	91741E701
20	Washer	17x103
21	Bell Crank *	92033Z
22	Lifter Assembly	91771F200
23	Knob, Steel	91261
24	Grip	91398
25	Spring, Compression	164x21
26	Handle Assembly	91823F200
27	Screw	26x49
28	Link Suspension	91776E701
29	Washer	17x47Z
30	Washer	17x91Z

*If D.O.M. (see page 89) is prior to 0519, order Part No. 92033SE.

MOWER HOUSII



MOWER HOUSING

KEY NO.	DESCRIPTION	PART NO.
1	Nut, Hex	15x101
2	Lockwasher	18x33
3	Pulley, Jackshaft	91769
4	Locknut, Flange	15x84
5	Spacer	91903
6	Belt, Blade Drive	37x63
7	Pulley, Idler	91801
8	Pin, Cotter	30x20
9	Locknut, Flange	15x88
10	Washer	17x46Z
11	Brake Assembly, Right	91819E701
12	Brake Assembly, Left	91818E701
13	Spring, Torsion	166x27
14	Bolt, Hex	25x6
15	Bracket Assembly, Brake	91811Z
16	Rod, Brake	91745Z
17	Rod, Cross Link	91740Z
18	Pin, Hair	31x4
19	Nut, Adjustable	21920
20	Rod, Adjuster	91748Z
22	Link, Suspension	91776E701
23	Washer	17x103
24	Bracket Assembly, Right Lifter	91812E701
25	Nut, Flange	15x79
26	Bell Crank*	92033Z
27	Bolt, Shoulder*	9x39
28	Arm Assembly, Idler*	92032
29	Plate, Adjuster	91741E701
30	Cover, Pulley	91792E701
31	Guide, Belt	91797Z
32	Bracket Assembly, Left Lifter	91813E701
33	Spring, Extension	165x72
34	Bracket, Pivot	91743E701
35	Plate	91770E701
36	Washer	17x57
37	Bolt, Carriage	2x53
38	Deflector Assembly, Chute	91982
39	Spring, Torsion	166x4
40	Bracket, Hinge	91765E701
41	Bracket, Front Hanger	91793E701
42	Rod, Deflector	91767Z
43	Cap, Push On	28x23
44	Rod, Hanger	91739Z
46	Hanger, Front	91746E701
47	Screw	26x214
48	Guide, Belt	91782Z
49	Bolt, Hex	1x84
50	Housing, Jackshaft	90905
51	Jackshaft	91922
52	Adapter, Blade	91926
53	Blade (2 required)	91742HT
54	Washer, Belleville	17x166
55	Washer	17x165
56	Nut, Hex	15x100
58	Pin, Hair	31x6
1-58	Complete Mower Housing Assy.	403228

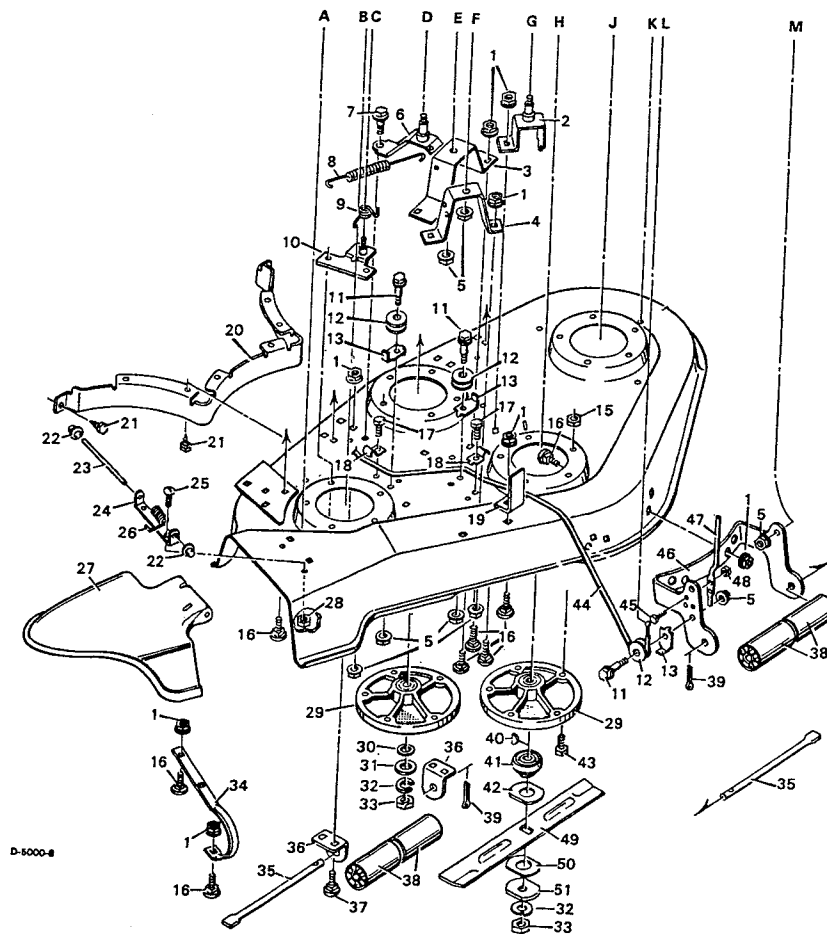
*If D.O.M. (see page 89) is prior to 0519, refer to chart below.

KEY NO.	PART NO.
26	92033SE
27	9x12
28	92032SE

Deck shell

91906 97

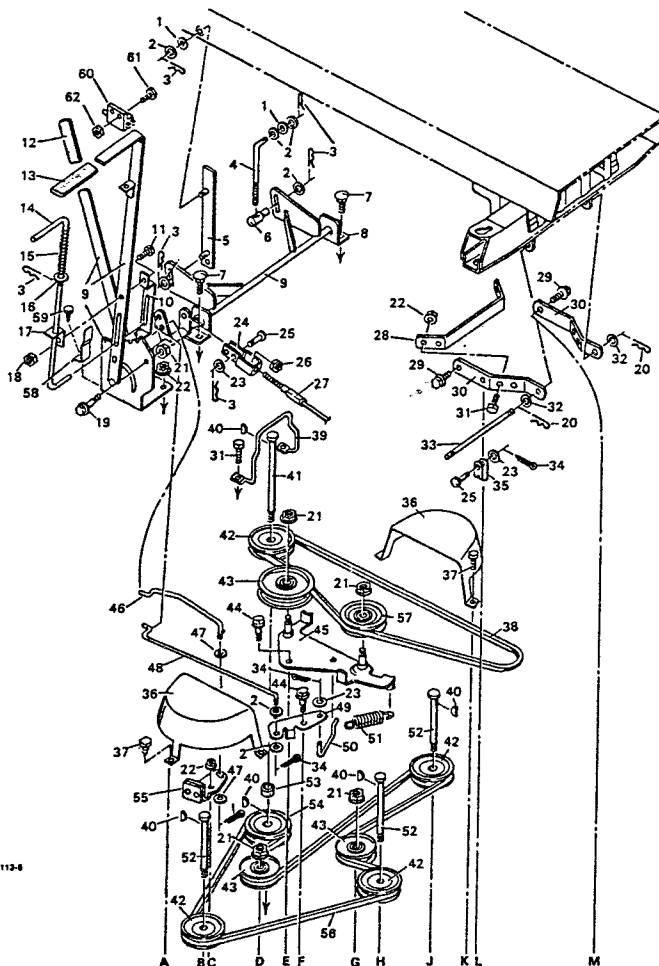
42" MOWER HOUSING ILLUSTRATION FOR 9-38219, 9-38211, 9-38222, 9-39004



KEY NO.	DESCRIPTION	PART NO.	KEY NO.	DESCRIPTION	PART NO.
1	Nut, Flange 5/16"-18	15x79	27	Deflector, Mower Housing	23224
2	Idler Assembly, Fixed	23177	28	Locknut, Hex No. 10-24	15x81
3	Support, Idler*	23240	29	Housing, Mandrel	90905
4	Support, Engagement Link	23241	30	Washer	17x140
5	Locknut, Flange 3/8"-16	15x84	31	Washer	17x141
6	Idler Assembly, Cross Drive	23178Z	32	Lockwasher	18x27
7	Bolt, Shoulder 3/8"-16x7/8"	9x15	33	Nut, Hex 1/2"-20	15x72
8	Spring, Cross Drive	165x60	34	Skid	24070
9	Spring, Blade Brake Torsion	166x29	35	Axle, Roller	23186Z
10	Bracket & Pin Assembly	91591Z	36	Support, Rear Roller	23208
11	Bolt, Shoulder 3/8"-16	9x13	37	Bolt, Carriage 5/16"-18x2-5/8"	2x53
12	Pulley, Nylon	23187	38	Roller	23203
13	Guide, Cable	23191Z	39	Pin, Cotter	30x49
15	Locknut, Flange 5/16"-18	15x88	40	Key, Woodruff No. 6	20062
16	Bolt, Carriage 5/16"-18x3/4"	2x64	41	Adapter, Blade	54211
17	Screw, Tap	26x214	42	Washer	24614Z
18	Guide, Cable	21953Z	43	Bolt, Hex 5/16"-18x3/4"	1x84
19	Deck Stop	23782	44	Cable, Lifter	24470
20	Baffle, Mower Housing	23207	45	Bolt, Hex 1/4"-20x7/8"	1x76
21	Screw	26x195	46	Support, Front Roller	24009
22	Cap, Push On	28x23	47	Guide, Curved Belt	24071Z
23	Rod, Deflector	23173Z	48	Locknut, Flange 1/4"-20	15x89
24	Bracket, Deflector	23172	49	Blade (3 required)	24458HT
25	Screw, Machine No. 10-24x5/8"	4x21	50	Washer	21673Z
26	Spring, Torsion	166x4	51	Washer, Blade	20663Z
			-	Housing Complete, Mower	403134

42" MOWER HOUSING ILLUSTRATION

9-38219, 9-38211, 9-38222, 9-39004



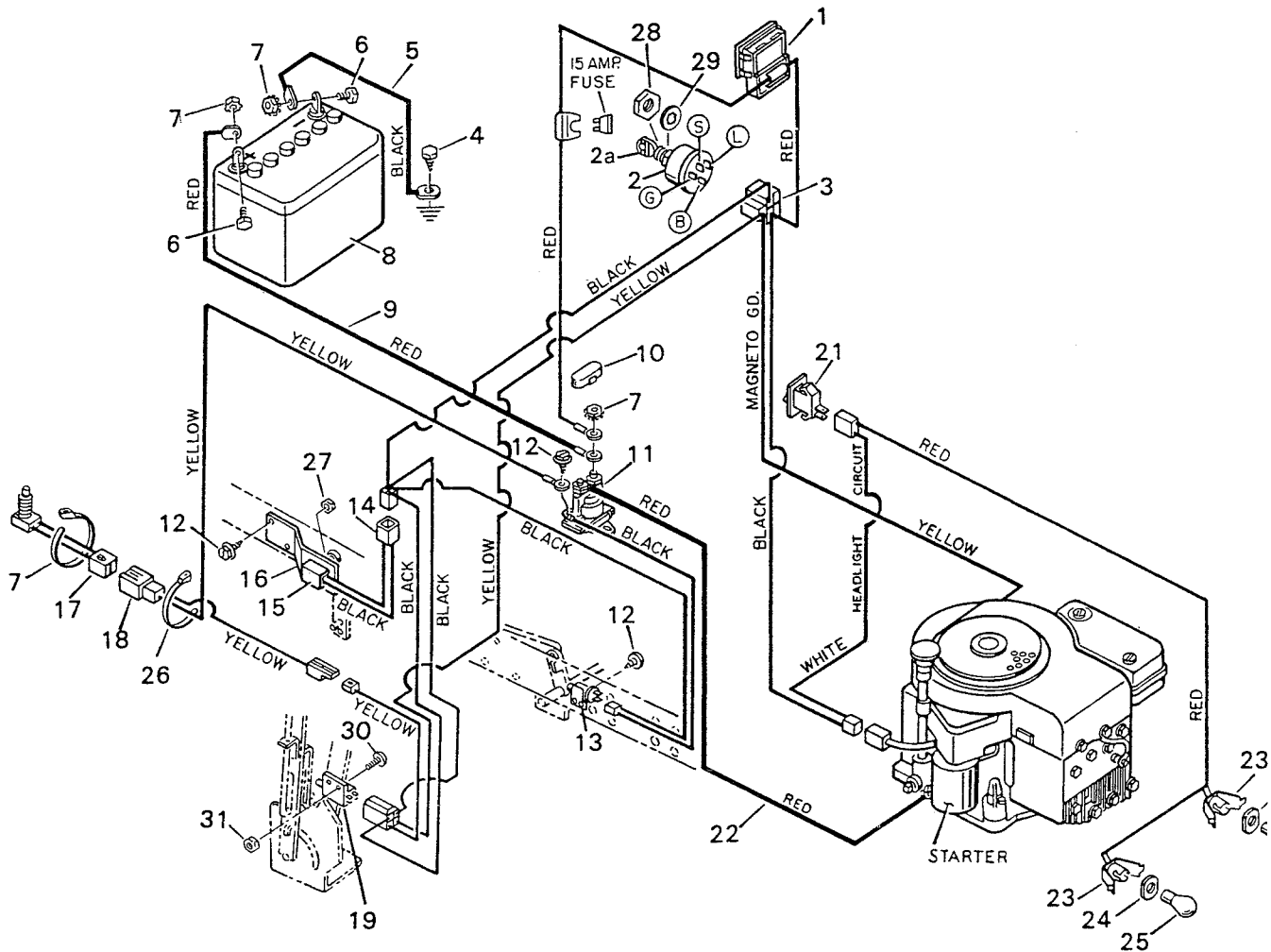
F-88718

KEY NO.	DESCRIPTION	PART NO.	KEY NO.	DESCRIPTION	PART NO.
1	Washer	108512	28	Brace, Hanger	24472
2	Washer	17x124	29	Bolt, Shoulder	9x14
3	Pin, Hair	31x6	30	Arm, Support	23185
4	Rod, Adjuster 7-5/16" Long	23824	31	Bolt, Hex 5/16"-18x1"	1x84
—	For 23 inch Diameter Rear Wheels		32	Washer	17x57Z
4a	Rod, Adjuster 6-1/4" Long	23275Z	33	Pin, Pull	21912Z
—	For 18 to 20 inch Diameter Rear Wheels		34	Pin, Cotter	30x20
5	Bracket, Right Hanger 6-3/8" Long**	23204Z	35	Clevis	24073
—	For 23 inch Diameter Rear Wheels		36	Cover, Pulley	23231
5a	Bracket, Right Hanger 5-1/2" Long**	23188Z	37	Screw, Tap	26x214
—	For 18 to 20 inch Diameter Rear Wheels		38	Belt, Blade Drive	37x40
6	Nut, Adjustable	21920	39	Guide, Belt	23751Z
7	Bolt, Carriage*	2x64	40	Key, Woodruff No. 6	20062
8	Support, Lifter*	23184	41	Mandrel	23180
9	Lifter Assembly*	91482	42	Pulley, Mandrel	20615
10	Bracket, Guide	23192	43	Pulley, Backside Idler	23238
11	Bolt, Hex 1/4"-20x7/8"	1x95	44	Bolt, Shoulder 3/8"-16x7/8"	9x12
12	Grip, Engagement Lever	91573	45	Idler Assembly, Blade Drive	23179
13	Latch, Lifter	23222	46	Rod, Brake	91593Z
14	Latch, Lifter	23194Z	47	Washer	17x46
15	Spring, Lifter	164x4	48	Rod Assembly, Link	23232Z
16	Washer	17x53	49	Link, Engagement	23226Z
17	Bracket, Lifter Guide	23193Z	50	Rod, Engagement Link	23228Z
18	Nut, Keps 1/4"-20	15x66	51	Spring, Blade Drive	165x43
19	Bolt, Shoulder 3/8"-16	9x13	52	Mandrel, Short	20616
20	Pin, Hair	31x6	53	Spacer	23213Z
21	Locknut, Flange 3/8"-16	15x84	54	Pulley, Mandrel	23739
22	Locknut, Flange 5/16"-18*	15x88	55	Pad Assembly, Brake	91592
23	Washer	17x47Z	56	Belt, Cross Drive	37x22
24	Clevis, Adjusting	24471Z	57	Pulley, Idler	23211
25	Pin, Clevis	29x93	58	Spring, Actuator	91480
26	Nut, Hex 5/16"-18	15x2	59	Screw	25x2
27	Cable, Lifter	24470	60	Switch, Limit	91299
			61	Screw, Machine #10-24x5/8"	3x141
			62	Nut, Hex #10-24	15x102

** NOTE: These parts are measured from weld pin to weld pin.

MODEL NO. 9-38219

WIRING DIAGRAM



KEY
NO. DESCRIPTION

- 1 Ammeter Assembly
- 2 Switch, Ignition
- 2a Key Only
- Fuse, Auto Type
- Holder, Fuse
- 3 Wire Harness
- 4 Screw
- 5 Cable, Battery Ground
- 6 Bolt, Hex 1/4"-20x5/8"
- 7 Nut, Keps 1/4"-20
- 8 Battery Type U1-9
- Acid, Battery (Electrolyte)
- 9 Cable, Battery (Solenoid to battery)
- 10 Cover, Solenoid
- 11 Solenoid
- 12 Screw, No. 10x1/2"
- 13 Switch, Clutch Limit
- 14 Switch, Attachment
- 15 Shield, Switch

- PART NO.
- 90729
- 21064
- 20729
- 54212
- 407078
- 250x8
- 26x49
- 24x6
- 1x38
- 15x66
- 21075
- 90665
- 24x25
- 56049
- 24285
- 26x233
- 21549
- 91070
- 91071

KEY
NO. DESCRIPTION

- 16 Leaf Spring, Switch
- 17 Switch, Seat Sensor
- 18 Wire Harness - Seat Switch
- 19 Switch, Mower Housing
- 21 Switch, Light
- 22 Cable (Solenoid to Engine)
- 23 Socket Assembly, Light
- 24 Washer, Light Socket
- 25 Bulb, Lamp
- 26 Strap, Tie
- Clamp, Wire
- 27 Nut, Hex 3/8"-24
- 28 Nut, Hex
- 29 Lockwasher
- 30 Screw, Machine #10-24x5/8"
- 31 Nut, Hex #10-24
- Seat Switch Cover (Not Shown)

- PART NO.
- 91561
- 91031SE
- 250x10
- 91299
- 90647
- 24x12
- 90155
- 90228
- 90084
- 32618
- 21980
- 15x33
- 15x105
- 19x40
- 3x141
- 15x102
- 056062