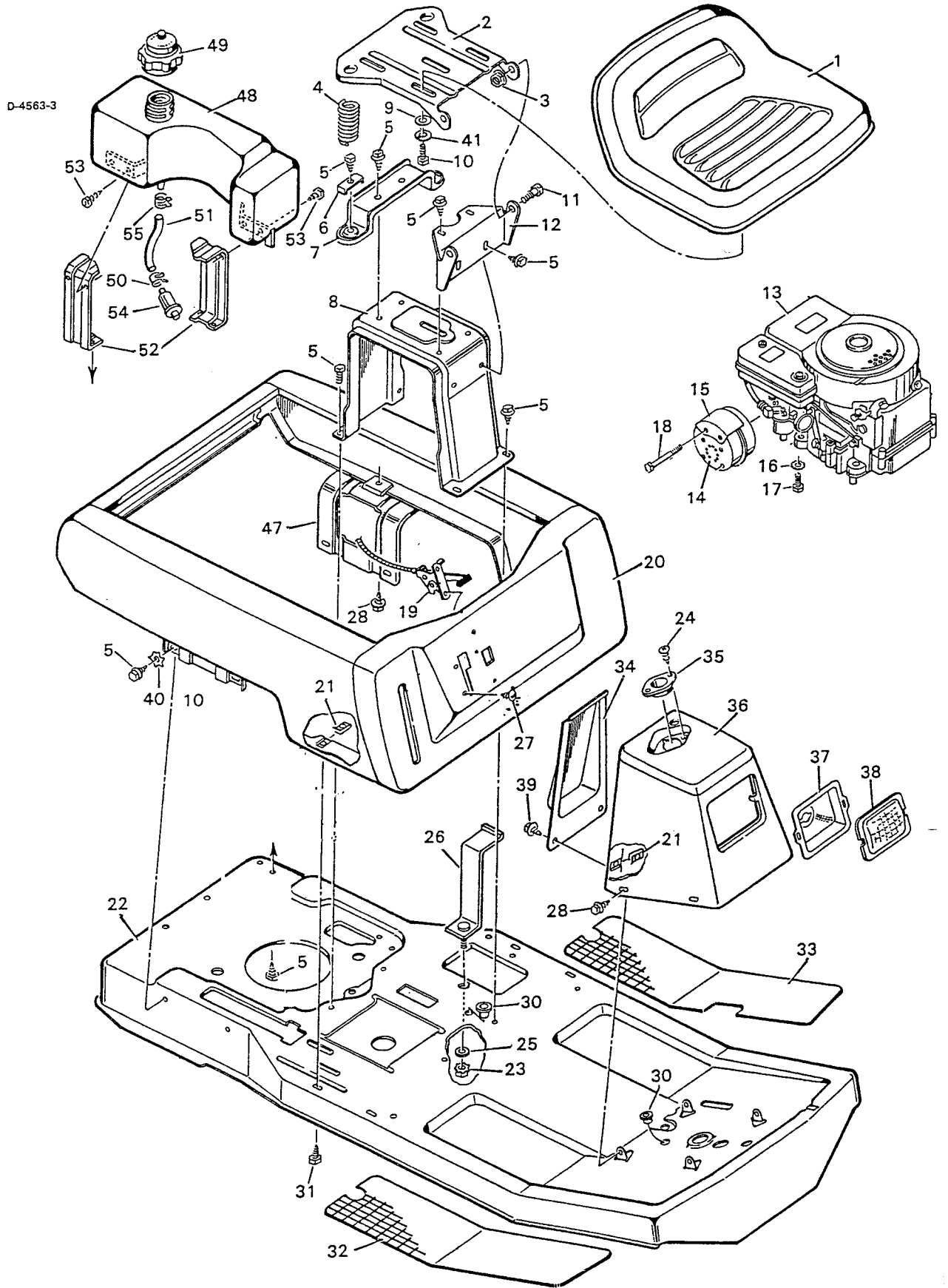


MODEL NO. 9-35500

FRAME & BOD



FRAME & BODY

MODEL NO. 9-35500

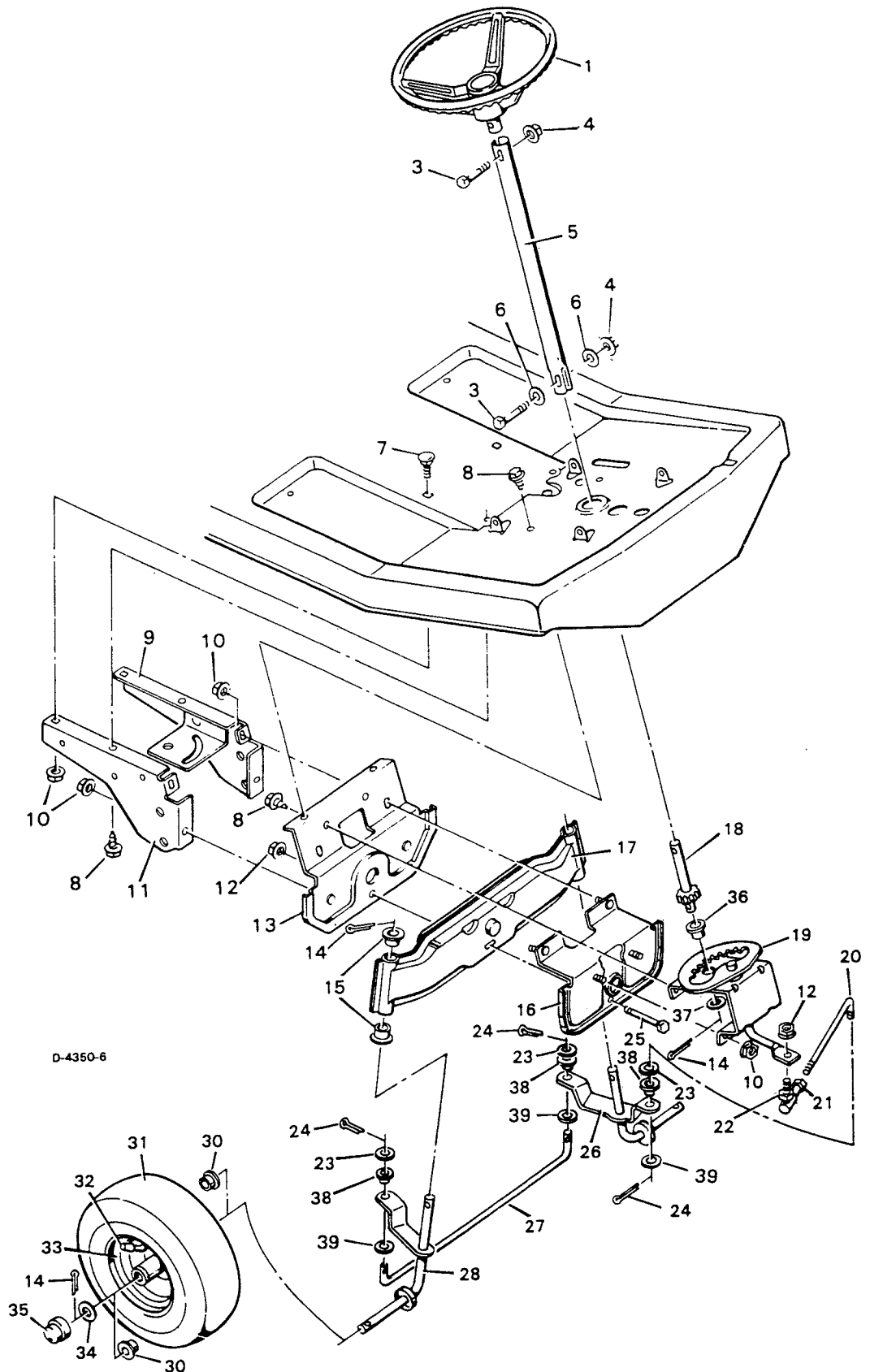
KEY NO.	DESCRIPTION	PART NO.
1	Seat	91450
2	Seat Mount	55765F200
3	Locknut, Flange $\frac{3}{8}$ "-16	15x84
4	Seat Spring	164x17
5	Screw	26x49
6	Spring Retainer	90014
7	Spring Hanger	55062
8	Seat Support	55741
9	Washer	17x47Z
10	Hex Bolt $\frac{5}{16}$ "-18x $\frac{5}{8}$ "	1x45
11	Shoulder Bolt $\frac{3}{8}$ "-16x $\frac{7}{8}$ "	9x30
12	Seat Hinge	55061
13	Engine	+
14	Muffler	90330PA
15	Heat Shield	90332
16	Star Washer	19x8
17	Bolt, Engine Mount	25x6
18	Bolt, Hex $\frac{5}{16}$ "-18x3 $\frac{3}{8}$ "	1x118
19	Control & Cable	91984
20	Rear Body Assembly, with light	55678F200
--	Rear Body Assembly, without light	55679
21	Nut, Tinnerman $\frac{1}{4}$ "-20	28x18
22	Frame Channel	55940F200
23	Nuts, Keps $\frac{1}{4}$ "-20	15x76
24	Screw, Tap	26x201
25	Washer	17x124
26	Clamp, Battery	55253Z
27	Screw, Tapping	26x159
28	Screw, Tapping	26x214
30	Bushing	21268
31	Bolt, Hex $\frac{1}{4}$ "-20x $\frac{5}{8}$ "	6x74
32	Mat, Running Board (R.H.)	56106
33	Mat, Running Board (L.H.)	56107
34	Console Plate	55023F200
35	Bearing, Steering Post	56022
36	Console Assembly, with light*	55932F200
--	Console Assembly, without light	55931F200
37	Reflector*	90009C
38	Lens*	90082
39	Screw, Machine $\frac{1}{4}$ "-20x $\frac{1}{2}$ "	4x24
40	Washer	19x6
41	Lockwasher	18x16
47	Rear Body Support	55017F200
48	Tank, Fuel	55805
49	Cap, Fuel	55990
50	Clamp, Hose (Filter - Red)	23713
51	Fuel Line	91022
52	Bracket, Tank	55806F200
53	Screw	26x213
54	Filter, Fuel	+
55	Clamp, Hose (Tank - Yellow)	91174

+ The engine model, type and code numbers are on the engine. All parts for the engine are available from a Briggs & Stratton Authorized Service Center. See "Engines, Gasoline" or "Gasoline Engines" in the yellow pages of the telephone directory.

* Part only used on models with lights.

MODEL NO. 9-35500

STEERI



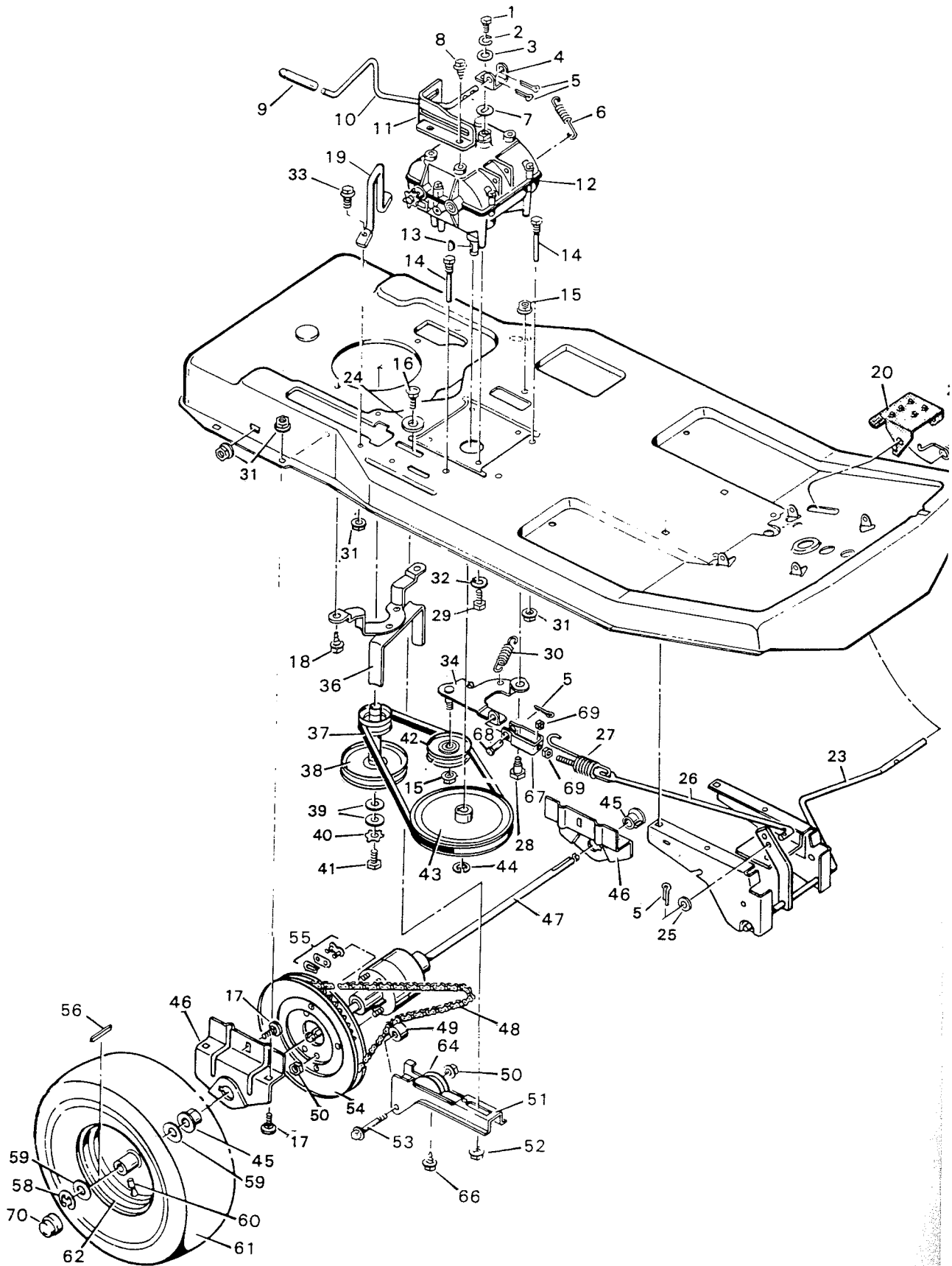
STEERING**MODEL NO. 9-35500**

KEY NO.	DESCRIPTION	PART NO.
1	Steering Wheel	91836
3	Hex Bolt $\frac{5}{16}$ "-18x1 $\frac{1}{2}$ "	1x102
4	Locknut, Flange $\frac{5}{16}$ "-13	15x88
5	Steering Post	91444C
6	Washer	17x47Z
7	Carriage Bolt $\frac{5}{16}$ "-18x $\frac{3}{4}$ "	2x64
8	Screw, Tapping	26x49
9	Suspension Plate, Left	55384F200
10	Hex Nut, Flange	15x79Z
11	Suspension Plate, Right	56023F200
12	Locknut, Flange $\frac{3}{8}$ "-24	15x87Z
13	Front Axle Support Assembly	55937F200
14	Cotter Pin	30x49
15	Spindle Bearing	55003
16	Front Axle Hanger Assembly	55655F200
17	Front Axle Assembly	55024F200
18	Pinion Gear	56057
19	Sector Assembly	55746F200
20	Drag Link	55046F200
21	Hex Nut $\frac{3}{8}$ "-24	15x61Z
22	Steering Ball Joint	21031
23	Washer	17x53Z
24	Cotter Pin	30x20
25	Hex Bolt $\frac{3}{8}$ "-24x2 $\frac{3}{8}$ "	1x69
26	Left Spindle Assembly	55381F200
27	Tie Rod	55026F200
28	Right Spindle Assembly	55380F200
30	Bearing	56105
31	Tire Only*	24394
32	Valve Stem & Cap	24373
33	Wheel Only	91637E804
34	Washer	24583
35	Hub Cap	24582
36	Bearing	55168
37	Washer	17x100Z
38	Bushing, Nylon	55547
39	Washer, Cup	17x161

* When ordering replacement parts, specify the brand name of the tire to insure that tread patterns on the tire match.

MODEL NO. 9-35500

MOTION DRIVE



MOTION DRIVE

MODEL NO. 9-35500

KEY NO.	DESCRIPTION	PART NO.	KEY NO.	DESCRIPTION	PART NO.
1	Hex Bolt 1/4"-20x5/8"	1x82	36	Belt Guide Assembly	55984Z
2	Spring Lockwasher	18x32	37	Drive Belt, Traction	37x38
3	Washer	17x37Z	38	Stack Pulley Assembly	55960Z
4	Transmission Yoke	55710Z	39	Washer	17x103
5	Cotter Pin	30x20	40	Washer	19x35
6	Extension Spring, Brake Return	165x28	41	Hex Bolt 7/16"-20x1"	1x80
7	Washer	17x134	42	Idler Pulley	91178
8	Screw, Tapping	26x207	43	Pulley, Transmission	55101
9	Grip	55321	44	Retainer Ring	11x7
10	Shift Lever	55740Z	45	Axle Bearing, Flange	55597
11	Transmission Gate	56128Z	46	Bracket, Rear Axle	55268
12	Transmission, Peerless 708B	+	47	Differential, Peerless 100-055	+
13	Woodruff Key #9	20697	48	Roller Chain	55269
14	Guide Screw	20619	49	Roller**	90176
15	Locknut, Flange 3/8"-16	15x84	50	Locknut, Flange 5/16"-18**	15x88
16	Carriage Bolt 3/8"-16x3/4"	2x56	51	Chain Adjustment Bracket	55194
17	Carriage Bolt 5/16"-18x5/8"	2x53Z	52	Hex Nut, Flange 3/8"-16	15x68Z
18	Screw, Tapping	26x49	53	Shoulder Bolt 5/16"-18x1.72***	9x22
19	Chain Guide	23553Z	54	Sprocket & Chain Guard, 50 Tooth	55621
20	Pedal, Clutch/Brake	55395	55	Connecting Link	407059
21	Torsional Spring, Pedal	166x18	56	Key, Square 3/16"	21553
23	Lever Assembly, Brake/Clutch	55656F200	58	E-Ring	11x3
24	Washer	17x67Z	59	Washer	17x115Z
25	Washer	17x47Z	60	Valve Stem & Cap	24373
26	Rod, Brake/Clutch	55495Z	61	Tire Only*	24393
27	Extension Spring, Brake	165x42	62	Wheel Only	91626E804
28	Shoulder Bolt 3/8"-16x5/8"	9x30	64	Guide Block**	23403
29	Hex Bolt 5/16"-18x3/4"	1x91	66	Screw, Tapping**	26x214
30	Extension Spring, Clutch	165x39	67	Clevis	21915Z
31	Hex Nut, Flange 5/16"-18	15x79Z	68	Clevis Pin	29x99
32	Lockwasher	18x15	69	Hex Nut	15x2
33	Hex Bolt 5/16"-18x5/8"	1x45	70	Hub Caps	24582
34	Idler Arm Assembly	55067Z			

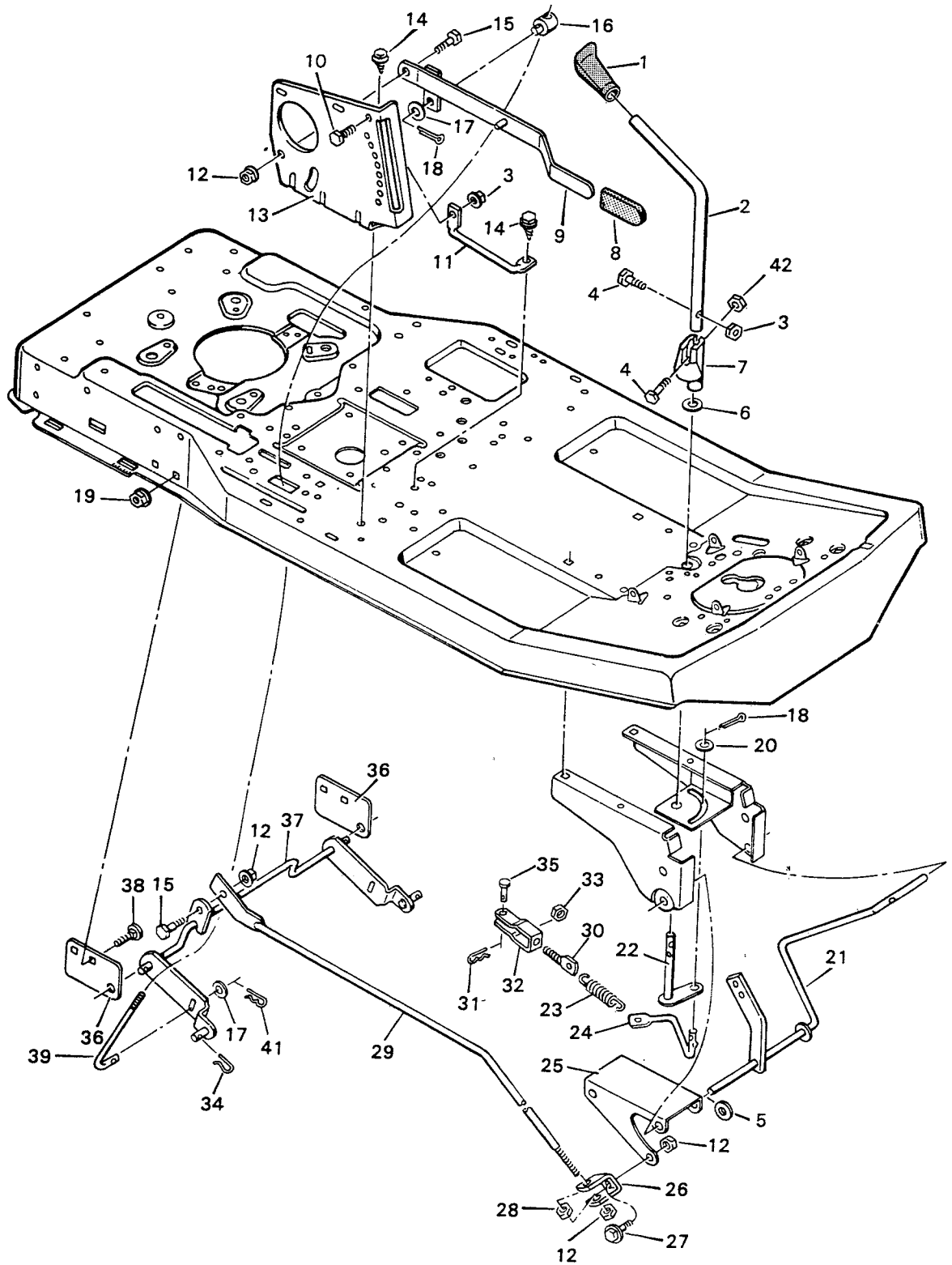
+ NOTE: Replacement parts for the transmission or differential are available from a Tecumseh Authorized Service Center. See "Engines, Gasoline" or "Gasoline Engines" in the yellow pages of the telephone directory.

* NOTE: For replacement parts, always give the name on the side of the tire so that the tire pattern will be the same.

** NOTE: These parts are included with the chain adjusting bracket, Key No. 51.

MODEL NO. 9-35500

**BLADE HOUSING
TOP HALF**



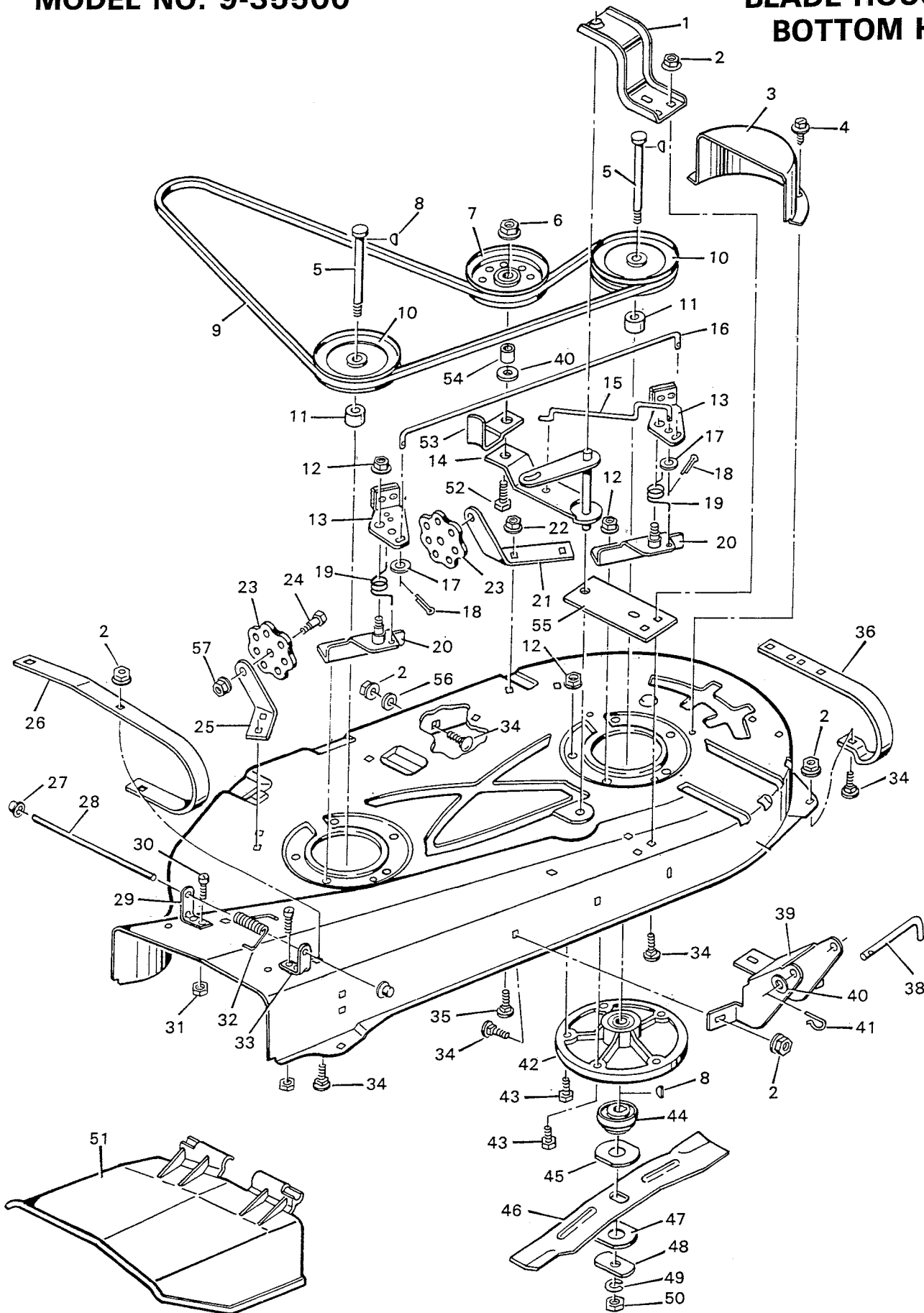
BLADE HOUSING TOP HALF

MODEL NO. 9-35500

KEY NO.	DESCRIPTION	PART NO.
1	Grip, Blade Control Lever	55449
2	Lever, Blade Control	55927Z
3	Locknut, Flange ¼"-20	15x89
4	Bolt, Hex ¼"-20	1x76
5	Washer	17x122Z
6	Washer	17x67Z
7	Cam, PTO	55853
8	Grip, Lifter	91573
9	Lever Assembly, Lifter	56031F200
10	Bolt, Hex ¼"-20x ⁵ / ₈ "	1x38
11	Strut	55348F200
12	Locknut, Flange ³ / ₈ "-16	15x84
13	Plate, Index	55365F200
14	Screw	26x49
15	Bolt, Shoulder ³ / ₈ "-16	9x9Z
16	Nut, Adjuster	21920
17	Washer	17x53Z
18	Pin, Cotter	30x20
19	Nut, Hex Flange ⁵ / ₁₆ "-18	15x88
20	Washer	17x48
21	Lever Assembly	55656F200
22	Rod & Arm Assembly	55930F200
23	Spring, Extension	165x7
24	Link, Front Deck	55857F200
25	Bracket, Front Suspension	55139F200
26	Clevis	55298
27	Bolt, Shoulder ³ / ₈ "-16	9x17
28	Nut, Hex Jam ³ / ₈ "-16	15x73
29	Rod Assembly	55957F200
30	Rod, Adjuster	55856Z
31	Pin, Hair	31x6
32	Clevis, Adjuster	24471Z
33	Nut, Hex ⁵ / ₁₆ "-18	15x2
34	Pin, Hair	31x2
35	Pin, Clevis	29x99
36	Plate, Mounting	55270F200
37	Rod Assembly, Suspension	55845F200
38	Bolt, Carriage	2x64
39	Rod, Lifter	24839F200
41	Pin, Hair	31x4
42	Nut, Keps ¼"-20	15x66

MODEL NO. 9-35500

**BLADE HOUSING
BOTTOM HALF**



SING
HALF

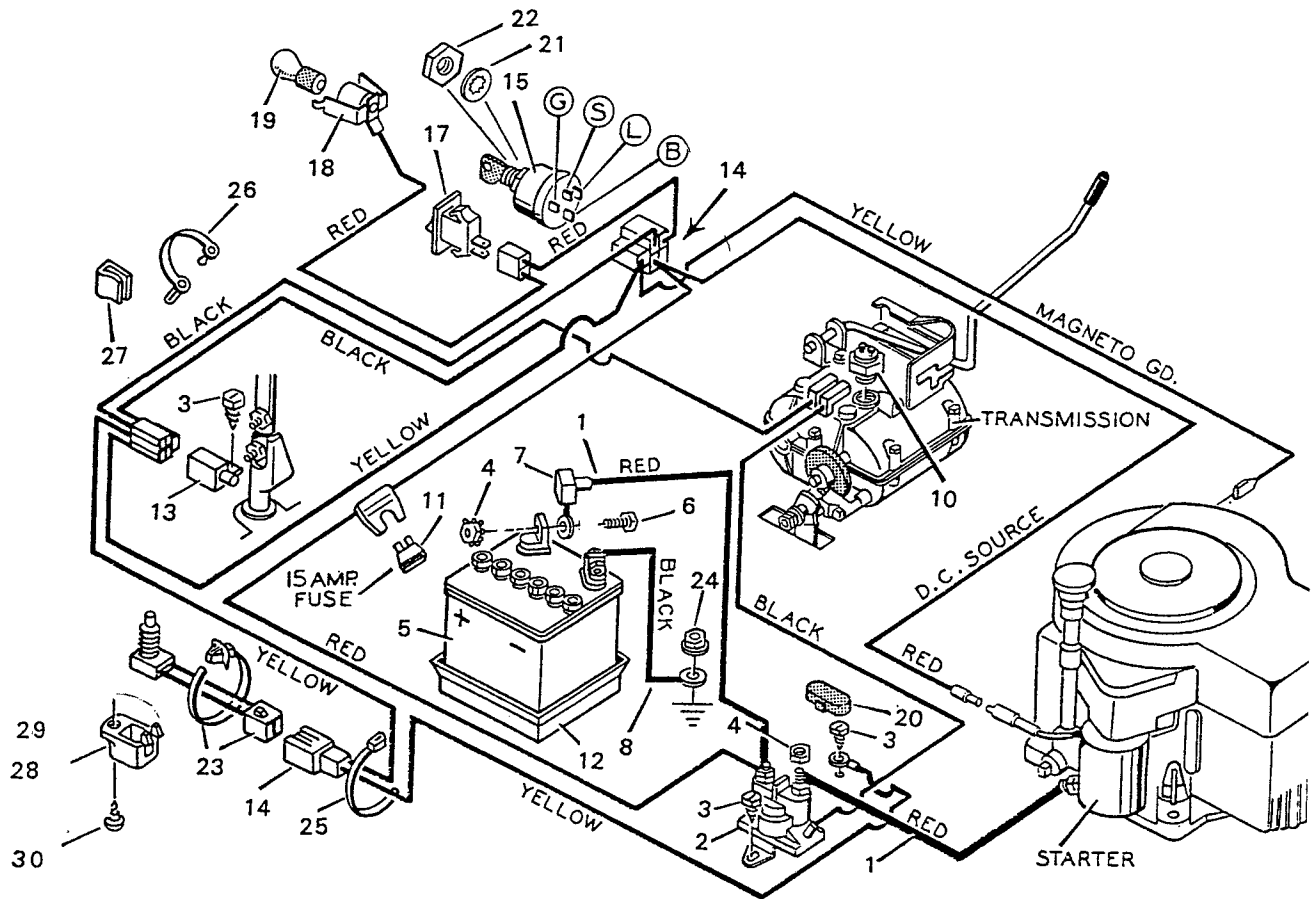
**BLADE HOUSING
BOTTOM HALF**

MODEL NO. 9-35500

KEY NO.	DESCRIPTION	PART NO.
1	Bracket, Idler Support	55849F200
2	Locknut, Flange ¼"-20	15x82
3	Cover, Pulley	55896F200
4	Screw	26x214
5	Mandrel	21024
6	Locknut, Flange ⅜"-16	15x41
7	Pulley, Idler	91801
8	Key, Woodruff #6	20062
9	Belt, Blade Drive	37x56
10	Pulley, Mandrel	23739
11	Spacer, Bearing	55844Z
12	Locknut, Flange ⅝"-18	15x88
13	Brake Pad Assembly	55868F200
14	Idler Arm Assembly	56013Z
15	Rod, Left Brake	55851Z
16	Link, Brake	55858Z
17	Washer	17x47Z
18	Pin, Cotter	30x20
19	Spring, Torsion	166x27
20	Bracket and Stud Assembly	55860F200
21	Bracket, Left	55842F200
22	Nut, Flange ⅝"-18	15x79Z
23	Plate, Adjusting	55344Z
24	Bolt, Shoulder	9x4
25	Bracket, Right	55841F200
26	Skid, Right	90392F200
27	Push On Cap	28x23
28	Rod, Deflector	21198Z
29	Bracket, Rear Deflector	21187F200
30	Screw, Machine #10-24x⅝"	4x21
31	Locknut #10-24	15x81
32	Spring, Torsion	166x4
33	Bracket, Front Deflector	21186
34	Bolt, Carriage	2x39
35	Bolt, Carriage	2x53Z
36	Skid, Left	90353F200
38	Pin, Pull	90828Z
39	Bracket, Front	55854F200
40	Washer	17x67Z
41	Pin, Hair	31x4
42	Housing, Mandrel	90905
43	Bolt, Hex ⅝"-18x1"	1x84
44	Adapter, Blade	54211
45	Washer	24614Z
46	Blade (2 required)	20930HT
47	Washer	21673Z
48	Washer	20663Z
49	Lockwasher	18x27
50	Nut, Hex ½"-20	15x72
51	Deflector, Chute	21154
52	Bolt, Hex ½"-13x1 ½"	1x127
53	Guide, Spring Belt	56012
54	Spacer	55895Z
55	Plate, Idler Support	56028F200
56	Washer	17x48
57	Locknut ⅜"-18	15x84
--	Complete Replace Housing (Top & Bottom)	403213

MODEL NO. 9-35500

WIRING DIAGRAM



KEY NO.	DESCRIPTION	PART NO.	KEY NO.	DESCRIPTION	PART NO.
1	Cable, Battery	24x1	15	Switch	21064
2	Solenoid	24285	16	Key Only	20729
3	Screw	26x233	17	Light Switch +	90647
4	Nut, Locknut 1/4"-20	15x66	18	Light Socket +	90158
5	Battery Type U1-7R	91414	19	Light Bulb +	90084
--	Electrolyte (Battery Acid)	55702	20	Solenoid Cap	56049
6	Bolt, Hex 1/4"-20x5/8"	1x38	21	Washer, Shakeproof	19x40
7	Cover, Battery Terminal	54148	22	Nut, Hex	15x10
8	Cable, Ground Battery	24x3	23	Switch, Seat Sensor	91031
10	Limit Switch, Transmission	23479	24	Locknut 5/16"-24	15x90
11	Fuse, 15 AMP	54212	25	Strap, Tie	32618
--	Holder, Fuse	407078	26	Clamp, Wire	2198C
12	Tray, Battery	91896	27	Clip, Adhesive	55939
13	Limit Switch	91032	28	Battery Tray Drain Tube (Not Shown)	91584
14	Wiring Harness, with light	250x5	29	Cover, Seat Switch	56062
--	Wiring Harness, without light	250x6	30	Screw	26x15

+ Part only used on models with lights.