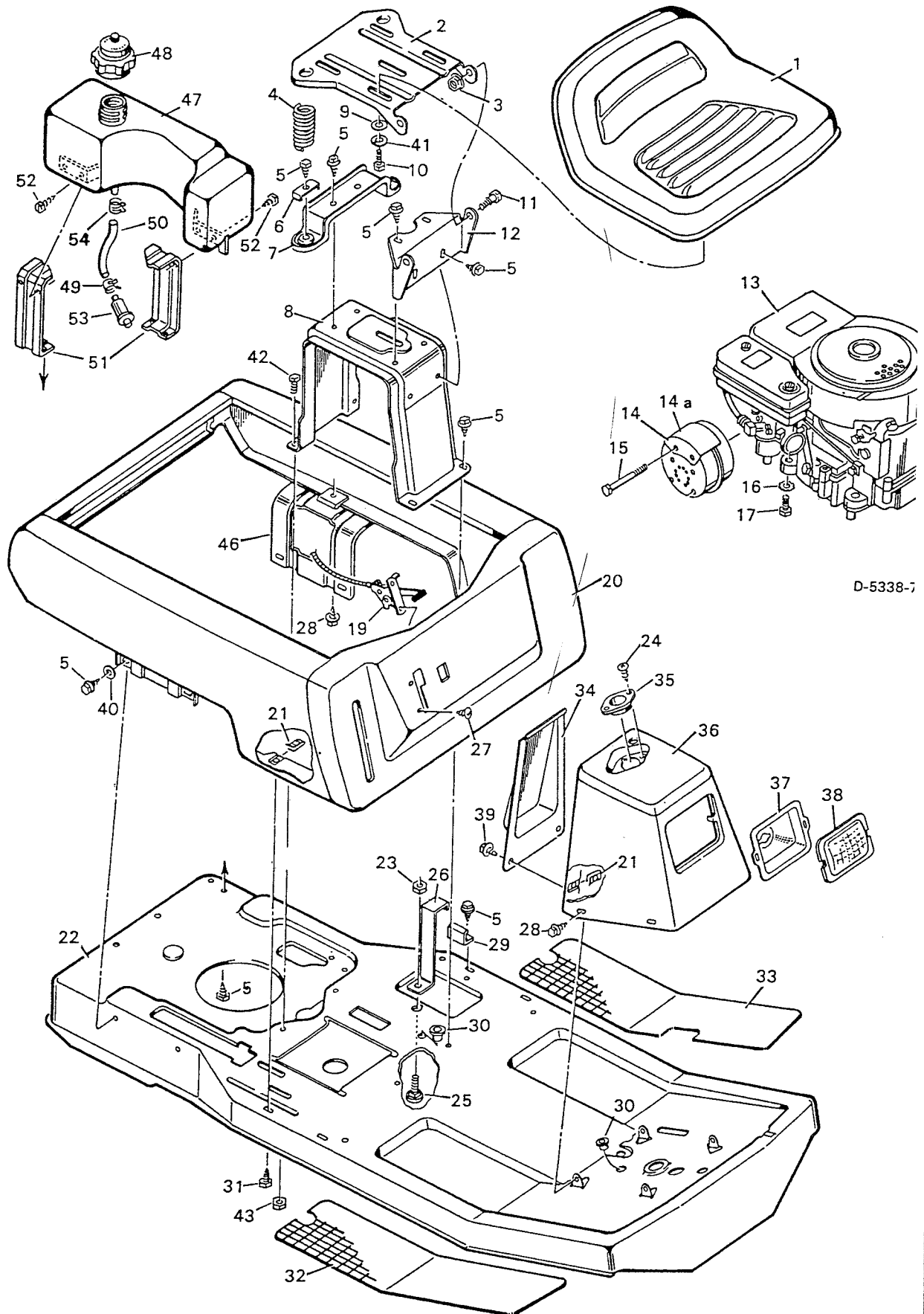


MODEL NO. 9-30502D

FRAME & BOD



D-5338-7

FRAME & BODY

COMPLETE MODEL NUMBER INCLUDES ALPHA SUFFIX MODEL NO. 9-30502D

KEY NO.	DESCRIPTION	PART NO.	KEY NO.	DESCRIPTION	PART NO.
1	Seat	91450	33	Mat, Left Running Board	56107
2	Seat Mount	55765F200	34	Console Plate	55023F200
3	Locknut, Flange $\frac{3}{8}$ "-16	15x84	35	Bearing, Steering Post	56022
4	Seat Spring	164x17F200	36	Console Assembly, with light*	55932F200
5	Screw	26x49	--	Console Assembly, without light	55931F200
6	Spring Retainer	90014F200	37	Reflector*	90009C
7	Spring Hanger	55062F200	38	Lens*	90082
8	Seat Support	55741F200	39	Screw, Machine $\frac{1}{4}$ "-20- $\frac{1}{2}$ "	4x24
9	Washer	17x47Z	40	Washer	19x6
10	Hex Bolt $\frac{5}{16}$ "-18x $\frac{5}{8}$ "	1x45	41	Lockwasher	18x16
11	Shoulder Bolt $\frac{3}{8}$ "-16x $\frac{7}{8}$ "	9x30	42	Hex Bolt	1x91
12	Seat Hinge	55061F200	43	Locknut, Flange	15x88
13	Engine +		46	Rear Body Support	55017F200
14	Muffler	90331	47	Tank, Fuel	55805
14a	Heat Shield, Muffler	90333	48	Cap, Fuel	55990
15	Hex Bolt $\frac{1}{4}$ "-20x $3\frac{1}{4}$ "	1x117	49	Clamp, Hose	23713
16	Washer, Shakeproof	19x8	50	Fuel Line	91022
17	Bolt, Engine Mount	25x6	51	Bracket, Tank	55806E701
19	Control & Cable	91984PA	52	Screw	26x213
20	Rear Body Assembly, with light	55678E700	53	Filter +	
--	Rear Body Assembly, without light	55679E700	54	Clamp, Hose	91174
21	Nut, Tinnerman $\frac{1}{4}$ "-20	28x18	--	Assembly Parts Bag	55964
22	Frame Channel	55940F200	--	Instruction Book	F-89521
23	Nuts, Keps $\frac{1}{4}$ "-20	15x66	--	Repair Parts Book	F-89522
24	Screw, Tapping	26x201	--	Decal, Console (Front)	58x939
25	Bolt, Carriage	2x67	--	Decal, Console (Right)	43x276
26	Clamp, Battery	55210Z	--	Decal, Console (Left)	43x275
27	Screw, Tapping	26x159	--	Decal, Rear Body (Right)	58x852
28	Screw, Tapping	26x214	--	Decal, Rear Body (Left)	58x853
29	Battery Clip	55149Z			
30	Bushing	21268			
31	Bolt, Hex $\frac{1}{4}$ "-20x $\frac{5}{8}$ "	6x74			
32	Mat, Right Running Board	56106			

+ The engine model, type, and code numbers are on the engine. All parts for the engine are available from a Briggs & Stratton Authorized Service Center. See "Engines, Gasoline" or "Gasoline Engines" in the yellow pages of the telephone directory.

* Part only used on models with lights.

STEERING

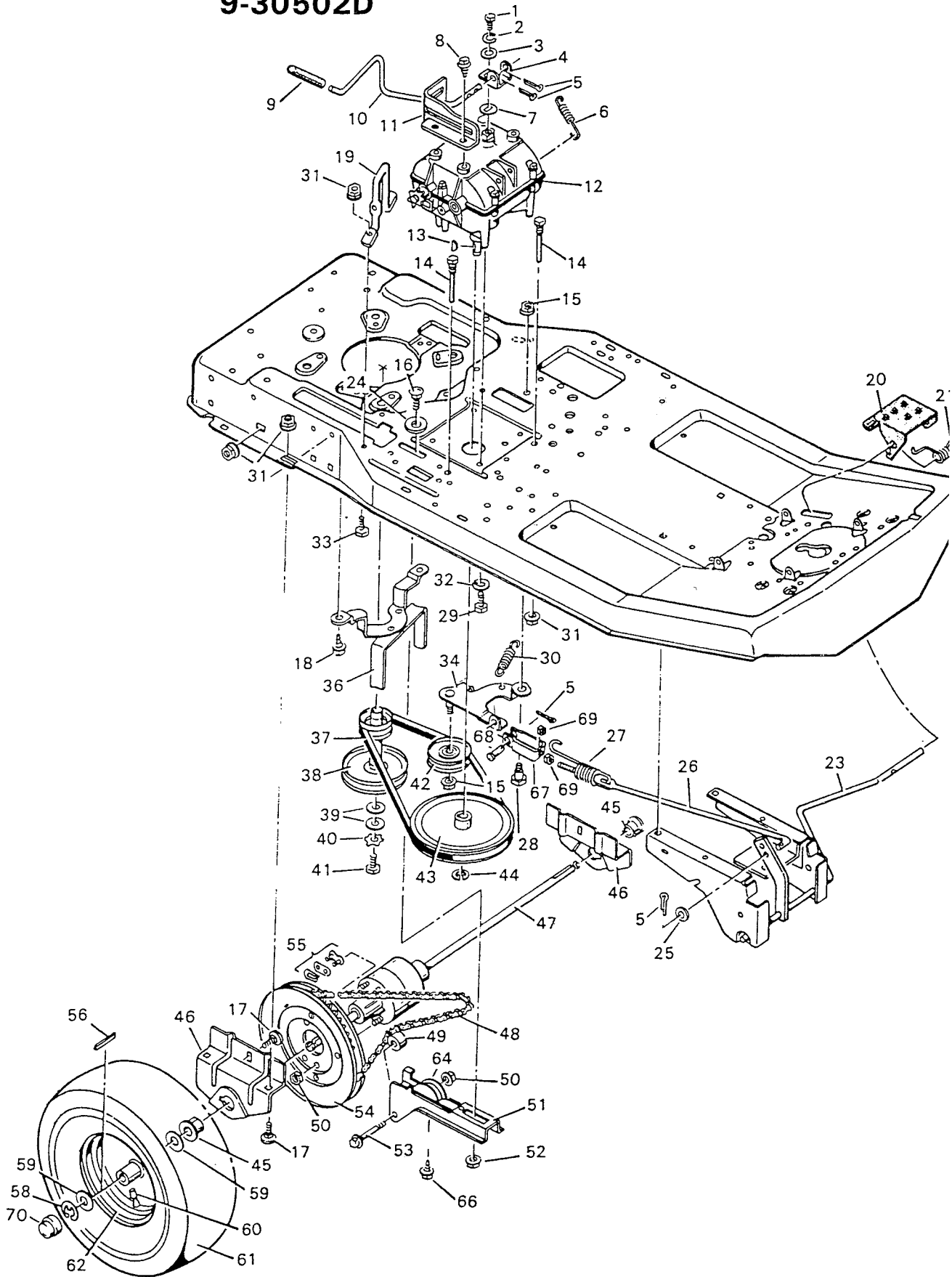
**MODEL NOS. 9-30502C
9-30502D**

KEY NO.	DESCRIPTION	PART NO.
1	Steering Wheel	91836
3	Hex Bolt $\frac{5}{16}$ "-18x1 $\frac{1}{2}$ "	1x102
4	Locknut, Flange $\frac{5}{16}$ "-13	15x88
5	Steering Post	91444C
6	Washer	17x47Z
7	Carriage Bolt $\frac{5}{16}$ "-18x $\frac{3}{4}$ "	2x64
8	Screw, Tapping	26x49
9	Suspension Plate, Left	55384F200
10	Hex Nut, Flange	15x79Z
11	Suspension Plate, Right	56023F200
12	Locknut, Flange $\frac{3}{8}$ "-24	15x87Z
13	Front Axle Support Assembly	55937F200
14	Cotter Pin	30x49
15	Spindle Bearing	55003
16	Front Axle Hanger Assembly	55655F200
17	Front Axle Assembly	55024F200
18	Pinion Gear	56057
19	Sector Assembly	55746F200
20	Drag Link	55046F200
21	Hex Nut $\frac{3}{8}$ "-24	15x61Z
22	Steering Ball Joint	21031
23	Washer	17x53Z
24	Cotter Pin	30x20
25	Hex Bolt $\frac{3}{8}$ "-24x2 $\frac{3}{8}$ "	1x69
26	Left Spindle Assembly	55381F200
27	Tie Rod	55026F200
28	Right Spindle Assembly	55380F200
30	Bearing	56105
31	Tire Only*	24394
32	Valve Stem & Cap	24373
33	Wheel Only	91637E804
34	Washer	24583
35	Hub Cap, Optional	24582
36	Bearing	55168
37	Washer	17x87
38	Bushing, Nylon	55547
39	Washer, Cup	17x161

* When ordering replacement parts, specify the brand name of the tire to insure that tread patterns on the tire match.

**MODEL NOS. 9-30502C
9-30502D**

MOTION DRIV



MOTION DRIVE

**MODEL NOS. 9-30502C
9-30502D**

KEY NO.	DESCRIPTION	PART NO.	KEY NO.	DESCRIPTION	PART NO.
1	Hex Bolt 1/4"-20x5/8"	1x82	36	Belt Guide Assembly	55983Z
2	Spring Lockwasher	18x32	37	Drive Belt, Traction	37x38
3	Washer	17x37Z	38	Stack Pulley Assembly	55960Z
4	Transmission Yoke	55710Z	39	Washer	17x103
5	Cotter Pin	30x20	40	Washer	19x35
6	Extension Spring, Brake Return	165x28	41	Hex Bolt 7/16"-20x1"	1x80
7	Washer	17x134	42	Idler Pulley	91178
8	Screw, Tapping	26x207	43	Pulley, Transmission	55101
9	Grip	55321	44	Retainer Ring	11x7
10	Shift Lever	55740Z	45	Axle Bearing, Flange	55597
11	Transmission Gate	56128Z	46	Bracket, Rear Axle	55065F200
12	Transmission, Peerless 708C	+	47	Differential, Peerless 100-055 +	
13	Woodruff Key #9	20697	48	Roller Chain	55115
14	Guide Screw	20619	49	Roller**	90176
15	Locknut, Flange 3/8"-16	15x84	50	Locknut, Flange 5/16"-18**	15x88
16	Carriage Bolt 3/8"-16x3/4"	2x56	51	Chain Adjusting Bracket	55194F200
17	Carriage Bolt 5/16"-18x5/8"	2x53Z	52	Hex Nut, Flange 3/8"-16	15x68Z
18	Screw, Tapping	26x49	53	Shoulder Bolt 5/16"-18x1.72***	9x22
19	Chain Guide	23553Z	54	Sprocket & Chain Guard, 50 Tooth	55621
20	Pedal, Clutch/Brake	55395E701	55	Connecting Link	407059
21	Torsional Spring, Pedal	166x18	56	Key, Square 3/16"	21553
22	Lever Assembly, Brake/Clutch	55656F200	58	E-Ring	11x3
23	Washer	17x67Z	59	Washer	17x115Z
24	Washer	17x47Z	60	Valve Stem & Cap	24373
25	Rod, Brake/Clutch	55495Z	61	Tire Only*	24393
26	Extension Spring, Brake	165x42	62	Wheel Only	91626E804
27	Shoulder Bolt 3/8"-16x5/8"	9x30	64	Guide Block**	23403
28	Hex Bolt 5/16"-18x3/4"	1x91	66	Screw, Tapping**	26x214
29	Extension Spring, Clutch	165x39	67	Clevis	21915Z
30	Hex Nut, Flange 5/16"-18	15x79Z	68	Clevis Pin	29x99
31	Lockwasher	18x15	69	Hex Nut	15x2
32	Hex Bolt 5/16"-18x5/8"	1x45	70	Hub Caps, Optional	24582
33	Idler Arm Assembly	55067Z			

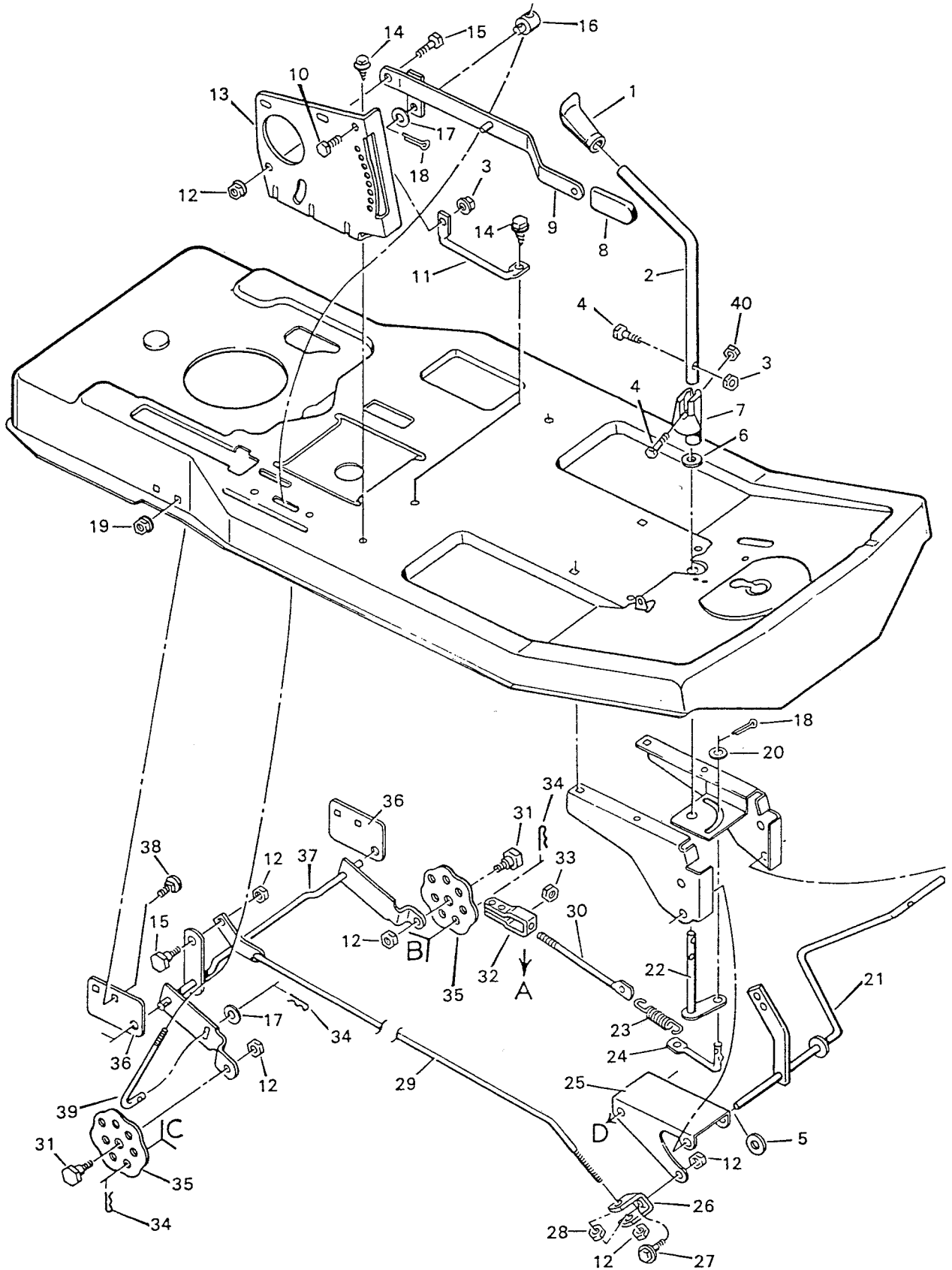
+ Replacement parts for the transmission or differential are available from a Tecumseh Authorized Service Center. See "Engines, Gasoline" or "Gasoline Engines" in the yellow pages of the telephone directory.

* For replacement parts, always give the name on the side of the tire so that the tire pattern will be the same.

** These parts are included with the chain adjusting bracket, Key No. 51.

**MODEL NOS. 9-30502C
9-30502D**

**MOWER HOUSING
TOP HALF**



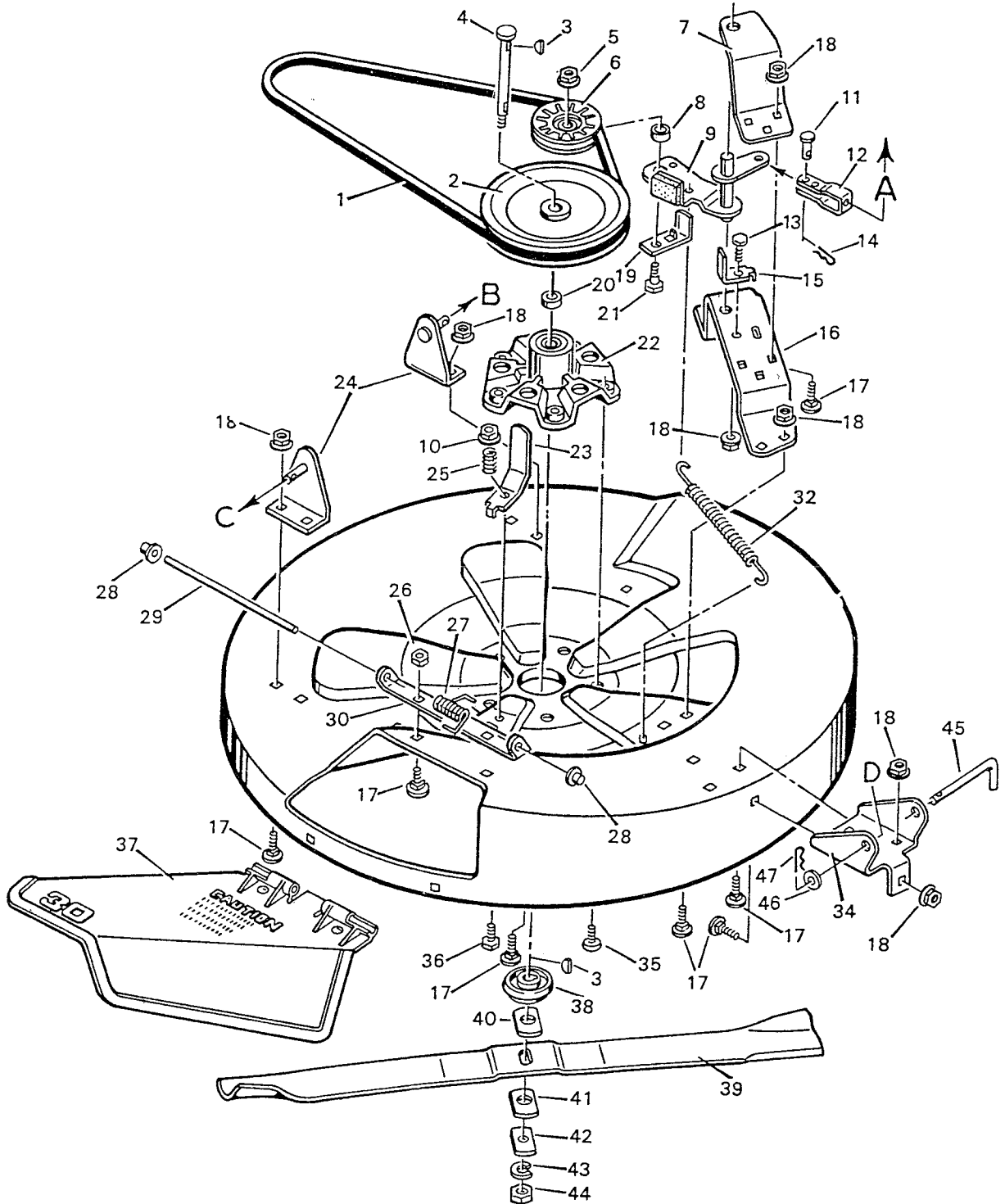
**MOWER HOUSING
TOP HALF**

**MODEL NOS. 9-30502C
9-30502D**

KEY NO.	DESCRIPTION	PART NO.
1	Grip, Blade Control Lever	55449
2	Lever, Blade Control	55927Z
3	Locknut, Flange ¼"-20	15x89
4	Bolt, Hex ¼"-20	1x76
5	Washer	17x122Z
6	Washer	17x67Z
7	Cam, PTO	55853
8	Grip, Lifter	91573
9	Lever Assembly, Lifter	56031F200
10	Bolt, Hex ¼"-20x ⁵ / ₈ "	1x38
11	Strut	55348F200
12	Locknut, Flange ³ / ₈ "-16	15x84
13	Plate, Index	55365F200
14	Screw	26x49
15	Bolt, Shoulder ³ / ₈ "-16	9x9Z
16	Nut, Adjuster	21920
17	Washer	17x53Z
18	Pin, Cotter	30x20
19	Nut, Hex Flange ⁵ / ₁₆ "-18	15x88
20	Washer	17x48
21	Lever Assembly	55656F200
22	Rod & Arm Assembly	55930F200
23	Spring, Extension	165x67
24	Link, Front Deck	55179F200
25	Bracket, Front Suspension	55139F200
26	Clevis	55298F200
27	Bolt, Shoulder ³ / ₈ "-16	9x17
28	Nut, Hex Jam ³ / ₈ "-16	15x73
29	Rod Assembly	55957F200
30	Link	55271Z
31	Bolt, Shoulder	9x4
32	Clevis, Adjuster	24471Z
33	Nut, Hex ⁵ / ₁₆ "-18	15x2
34	Hairpin	31x4
35	Plate, Adjuster	55344E701
36	Plate, Mounting	55270F200
37	Rod Assembly, Suspension	55346F200
38	Bolt, Carriage	2x64
39	Rod, Lifter	24839F200
40	Locknut, Keps	15x66

**MODEL NOS. 9-30502C
9-30502D**

**MOWER HOUSING
BOTTOM HALF**



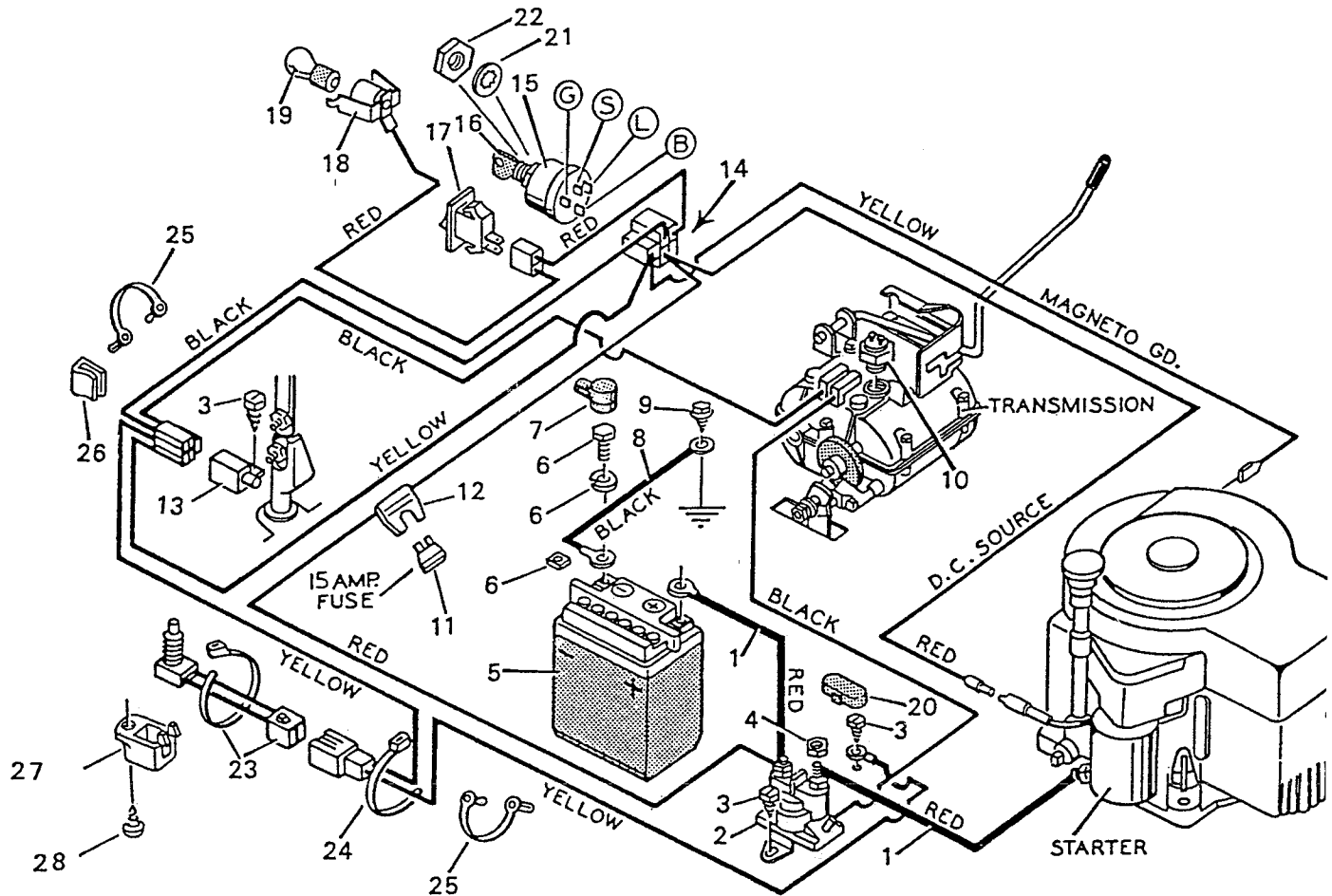
**MOWER HOUSING
BOTTOM HALF**

**MODEL NOS. 9-30502C
9-30502D**

KEY NO.	DESCRIPTION	PART NO.
1	Belt, Mower Drive	37x57
2	Pulley	90242
3	Key, Woodruff	20062
4	Mandrell	55272
5	Nut, Hex	15x41
6	Pulley, Idler	91178
7	Bracket, Upper Idler	55921E701
8	Spacer	55895
9	Assembly, Blade Idler	55979E701
10	Locknut, Flange	15x88
11	Pin, Clevis	29x99
12	Clevis	24471Z
13	Bolt, Hex	1x45
14	Pin, Hair	31x6
15	Guide, Belt	55977E701
16	Bracket, Lower Idler	55920E701
17	Bolt, Carriage	2x53Z
18	Nut, Flange	15x79Z
19	Guide, Belt	55894E701
20	Spacer	55273Z
21	Bolt, Hex	1x127
22	Housing, Mandrel	55962E701
23	Guide, Belt	55956Z
24	Bracket, Hanger	55974E701
25	Spring, Compression	164x1
26	Nut, Hex	15x43Z
27	Spring, Torsional	166x4
28	Push On Cap	28x23
29	Rod	21197Z
30	Hinge, Chute Deflector	55963E701
32	Spring, Extension	165x68
34	Bracket, Front	55916E701
35	Screw	26x216
36	Bolt, Hex $\frac{5}{16}$ "-18x $\frac{7}{8}$ "	1x75
37	Deflector, Chute	55971
38	Adapter, Blade	54211
39	Blade	56061HT
40	Washer	24614Z
41	Washer	21673Z
42	Washer	20663Z
43	Lockwasher	18x27
44	Nut, Hex	15x72
45	Pin, Pull	90828Z
46	Washer	17x67Z
47	Pin, Hair	31x4
1-47	Mower Housing, Complete	403224

**MODEL NOS. 9-30502C
9-30502D**

WIRING DIAGRAM



D-434

KEY NO.	DESCRIPTION	PART NO.	KEY NO.	DESCRIPTION	PART NO.
1	Cable, Battery	24x12	15	Switch	21064
2	Solenoid	24285	16	Key Only	20729
3	Screw	26x233	17	Light Switch +	90647
4	Nut, Locknut 1/4"-20	15x66	18	Light Socket +	90155
5	Battery Type 12N14-3A	23581	19	Light Bulb +	90084
--	Electrolyte (Battery Acid)	55320	20	Solenoid Cap	56049
6	Hardware, Battery	402012	21	Washer, Shakeproof	19x40
7	Cover, Battery Terminal	24196	22	Nut, Hex	15x105
8	Cable, Ground Battery	24x9	23	Switch, Seat Sensor	91031SE
9	Screw	26x49	24	Tie Strap	32618
10	Limit Switch, Transmission	23479	25	Clamp, Wire*	21980
11	Fuse, 15 AMP	54212	26	Clip, Wire Adhesive*	55939
13	Limit Switch	91032	27	Cover, Seat Switch	56062
14	Wiring Harness, with light	250x5	28	Screw	26x159
--	Wiring Harness, without light	250x6			

* Part is not shown.

+ Part only used on models with lights.