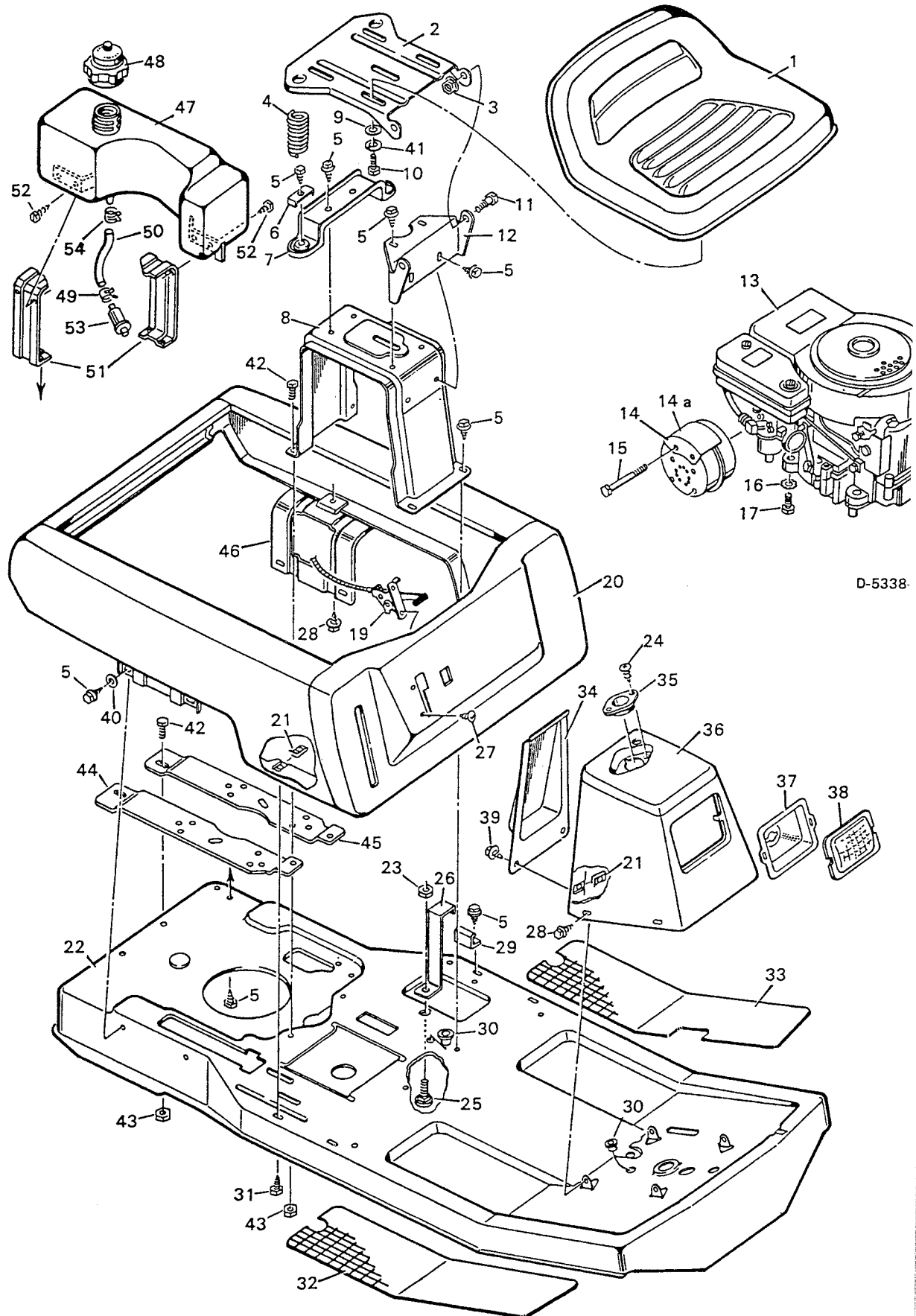


MODEL NO. 9-30502C

FRAME & BOD'



D-5338

FRAME & BODY

COMPLETE MODEL NUMBER INCLUDES ALPHA SUFFIX MODEL NO. 9-30502C

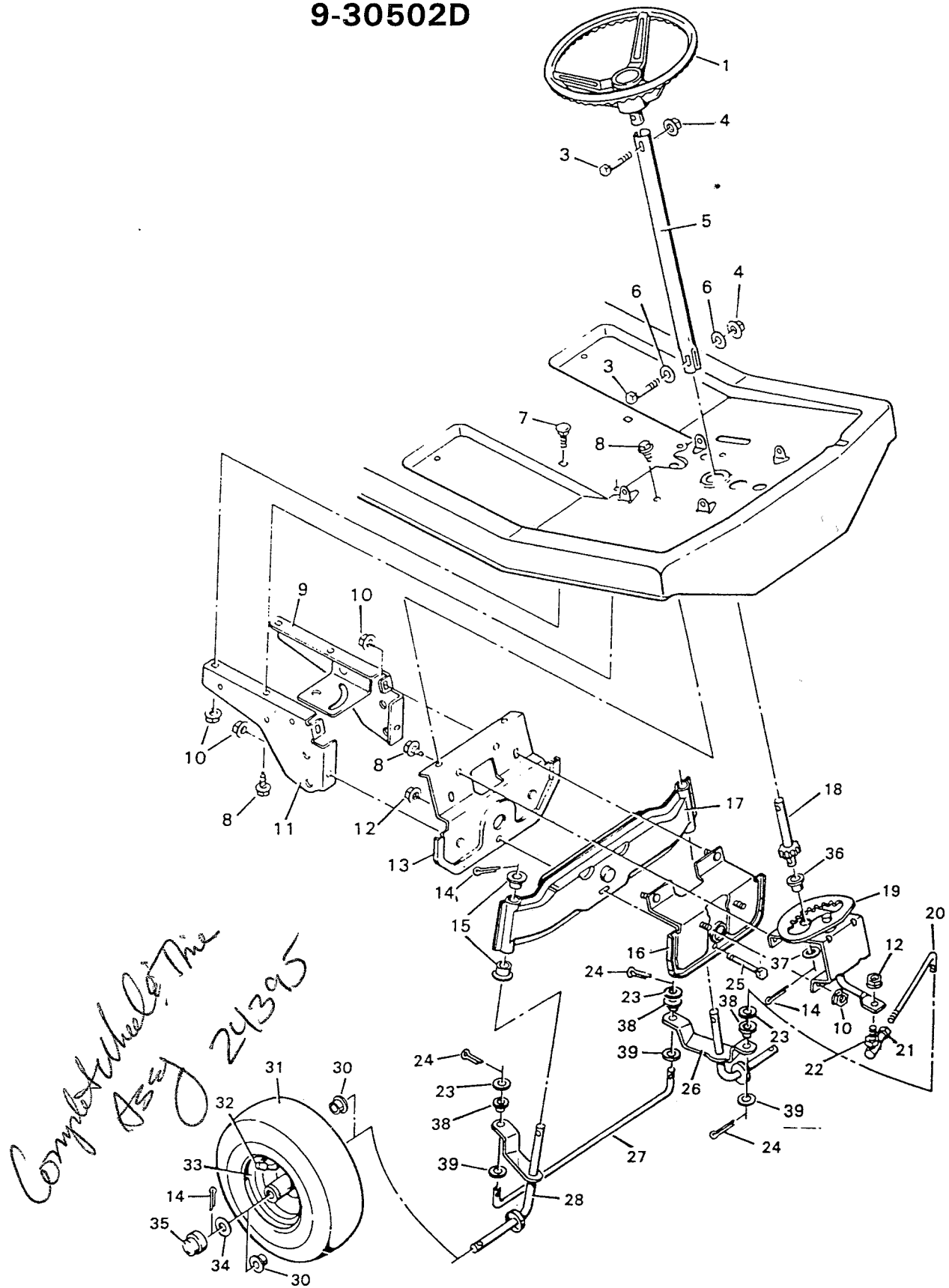
| KEY NO. | DESCRIPTION | PART NO. | KEY NO. | DESCRIPTION | PART NO. |
|---------|---|------------|---------|--|-----------|
| 1 | Seat | 91450 | 33 | Mat, Left Running Board | 56107 |
| 2 | Seat Mount | 55765F200 | 34 | Console Plate | 55023F200 |
| 3 | Locknut, Flange $\frac{3}{8}$ "-16 | 15x84 | 35 | Bearing, Steering Post | 56022 |
| 4 | Seat Spring | 164x17F200 | 36 | Console Assembly, with light* | 55932F200 |
| 5 | Screw | 26x49 | -- | Console Assembly, without light | 55931F200 |
| 6 | Spring Retainer | 90014F200 | 37 | Reflector* | 90009C |
| 7 | Spring Hanger | 55062F200 | 38 | Lens* | 90082 |
| 8 | Seat Support | 55741F200 | 39 | Screw, Machine $\frac{1}{4}$ "-20- $\frac{1}{2}$ " | 4x24 |
| 9 | Washer | 17x47Z | 40 | Washer | 19x6 |
| 10 | Hex Bolt $\frac{5}{16}$ "-18x $\frac{5}{8}$ " | 1x45 | 41 | Lockwasher | 18x16 |
| 11 | Shoulder Bolt $\frac{3}{8}$ "-16x $\frac{7}{8}$ " | 9x30 | 42 | Hex Bolt | 1x91 |
| 12 | Seat Hinge | 55061F200 | 43 | Locknut, Flange | 15x88 |
| 13 | Engine | + | 44 | Engine Strap, Right | 55205E701 |
| 14 | Muffler | 90331 | 45 | Engine Strap, Left | 55206E701 |
| 14a | Heat Shield, Muffler | 90333 | 46 | Rear Body Support | 55017F200 |
| 15 | Hex Bolt $\frac{1}{4}$ "-20x3 $\frac{3}{4}$ " | 1x117 | 47 | Tank, Fuel | 55805 |
| 16 | Washer, Shakeproof | 19x8 | 48 | Cap, Fuel | 55990 |
| 17 | Bolt, Engine Mount | 25x6 | 49 | Clamp, Hose | 23713 |
| 19 | Control & Cable | 91984PA | 50 | Fuel Line | 91022 |
| 20 | Rear Body Assembly, with light | 55678E700 | 51 | Bracket, Tank | 55806E701 |
| -- | Rear Body Assembly, without light | 55679E700 | 52 | Screw | 26x213 |
| 21 | Nut, Tinnerman $\frac{1}{4}$ "-20 | 28x18 | 53 | Filter+ | |
| 22 | Frame Channel | 55941F200 | 54 | Clamp, Hose | 91174 |
| 23 | Nuts, Keps $\frac{1}{4}$ "-20 | 15x66 | -- | Assembly Parts Bag | 55964 |
| 24 | Screw, Tapping | 26x201 | -- | Instruction Book | F-89521 |
| 25 | Bolt, Carriage | 2x67 | -- | Repair Parts Book | F-89520 |
| 26 | Clamp, Battery | 55210Z | -- | Decal, Console (Front) | 58x939 |
| 27 | Screw, Tapping | 26x159 | -- | Decal, Console (Right) | 43x276 |
| 28 | Screw, Tapping | 26x214 | -- | Decal, Console (Left) | 43x275 |
| 29 | Battery Clip | 55149Z | -- | Decal, Rear Body (Right) | 58x852 |
| 30 | Bushing | 21268 | -- | Decal, Rear Body (Left) | 58x853 |
| 31 | Bolt, Hex $\frac{1}{4}$ "-20x $\frac{5}{8}$ " | 6x74 | | | |
| 32 | Mat, Right Running Board | 56106 | | | |

+ The engine model, type, and code numbers are on the engine. All parts for the engine are available from a Briggs & Stratton Authorized Service Center. See "Engines, Gasoline" or "Gasoline Engines" in the yellow pages of the telephone directory.

* Part only used on models with lights.

**MODEL NOS. 9-30502C
9-30502D**

STEERING



STEERING

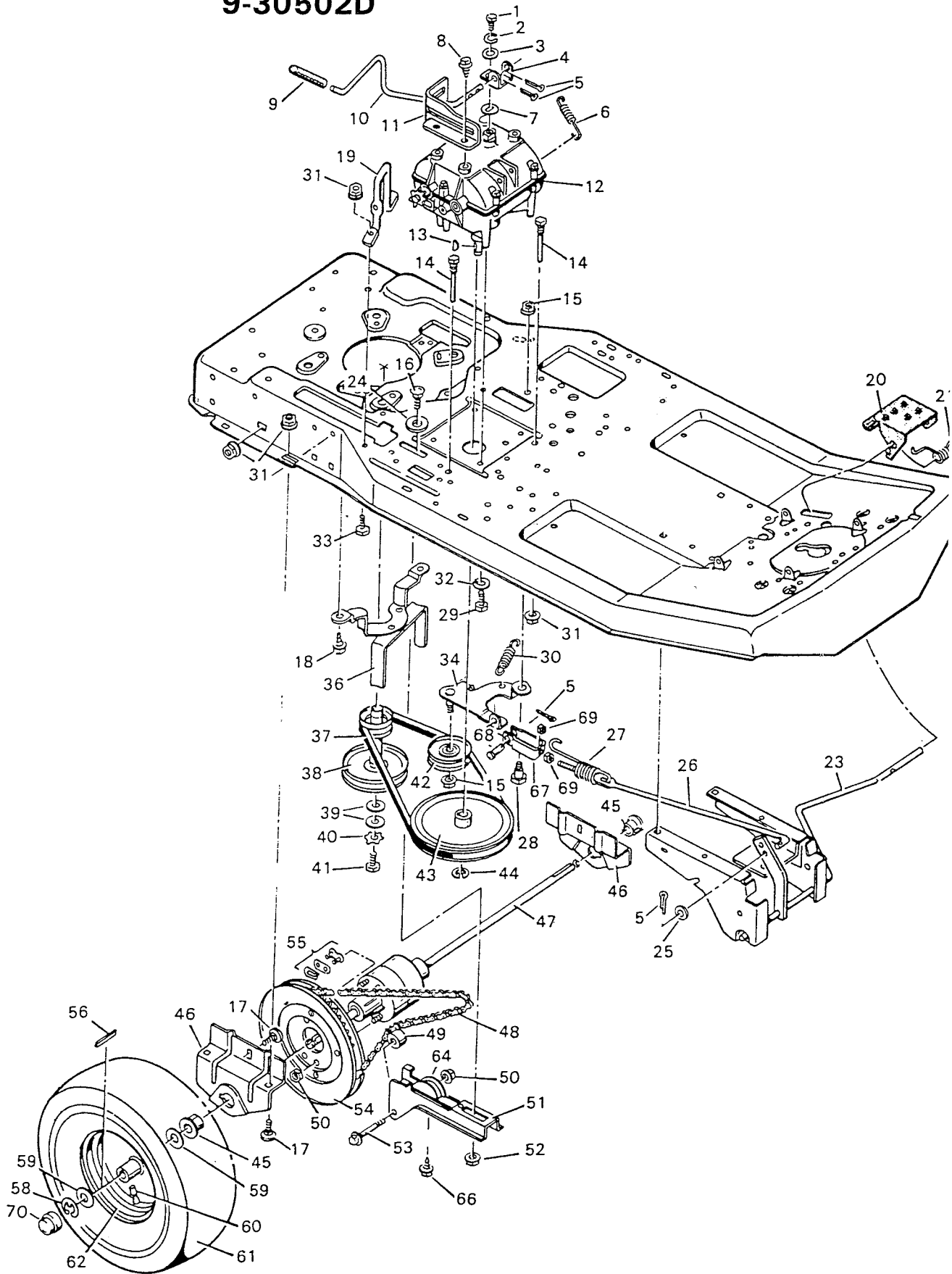
**MODEL NOS. 9-30502C
9-30502D**

| KEY NO. | DESCRIPTION | PART NO. |
|--------------------|--|---------------------|
| 1 | Steering Wheel | 91836 |
| 3 | Hex Bolt $\frac{5}{16}$ "-18x1 $\frac{1}{2}$ " | 1x102 |
| 4 | Locknut, Flange $\frac{5}{16}$ "-13 | 15x88 |
| 5 | Steering Post | 91444C |
| 6 | Washer | 17x47Z |
| 7 | Carriage Bolt $\frac{5}{16}$ "-18x $\frac{3}{4}$ " | 2x64 |
| 8 | Screw, Tapping | 26x49 |
| 9 | Suspension Plate, Left | 55384F200 |
| 10 | Hex Nut, Flange | 15x79Z |
| 11 | Suspension Plate, Right | 56023F200 |
| 12 | Locknut, Flange $\frac{3}{8}$ "-24 | 15x87Z |
| 13 | Front Axle Support Assembly | 55937F200 |
| 14 | Cotter Pin | 30x49 |
| 15 | Spindle Bearing | 55003 |
| 16 | Front Axle Hanger Assembly | 55655F200 |
| 17 | Front Axle Assembly | 55024F200 |
| 18 | Pinion Gear | 56057 |
| 19 | Sector Assembly | 55746F200 |
| 20 | Drag Link | 55046F200 |
| 21 | Hex Nut $\frac{3}{8}$ "-24 | 15x61Z |
| 22 | Steering Ball Joint | 21031 |
| 23 | Washer | 17x53Z |
| 24 | Cotter Pin | 30x20 |
| 25 | Hex Bolt $\frac{3}{8}$ "-24x2 $\frac{3}{8}$ " | 1x69 |
| 26 | Left Spindle Assembly | 55381F200 |
| 27 | Tie Rod | 55026F200 |
| 28 | Right Spindle Assembly | 55380F200 |
| 30 | Bearing | 56105 |
| 31 | Tire Only* | 24394 |
| 32 | Valve Stem & Cap | 24373 |
| 33 | Wheel Only | 91637E804 |
| 34 | Washer | 24583 |
| 35 | Hub Cap, Optional | 24582 |
| 36 | Bearing | 55168 |
| 37 | Washer | 17x87 |
| 38 | Bushing, Nylon | 55547 |
| 39 | Washer, Cup | 17x161 |

* When ordering replacement parts, specify the brand name of the tire to insure that tread patterns on the tire match.

**MODEL NOS. 9-30502C
9-30502D**

MOTION DRIV



MOTION DRIVE

**MODEL NOS. 9-30502C
9-30502D**

| KEY NO. | DESCRIPTION | PART NO. | KEY NO. | DESCRIPTION | PART NO. |
|---------|--------------------------------|-----------|---------|----------------------------------|-----------|
| 1 | Hex Bolt 1/4"-20x5/8" | 1x82 | 36 | Belt Guide Assembly | 55983Z |
| 2 | Spring Lockwasher | 18x32 | 37 | Drive Belt, Traction | 37x38 |
| 3 | Washer | 17x37Z | 38 | Stack Pulley Assembly | 55960Z |
| 4 | Transmission Yoke | 55710Z | 39 | Washer | 17x103 |
| 5 | Cotter Pin | 30x20 | 40 | Washer | 19x35 |
| 6 | Extension Spring, Brake Return | 165x28 | 41 | Hex Bolt 7/16"-20x1" | 1x80 |
| 7 | Washer | 17x134 | 42 | Idler Pulley | 91178 |
| 8 | Screw, Tapping | 26x207 | 43 | Pulley, Transmission | 55101 |
| 9 | Grip | 55321 | 44 | Retainer Ring | 11x7 |
| 10 | Shift Lever | 55740Z | 45 | Axle Bearing, Flange | 55597 |
| 11 | Transmission Gate | 56128Z | 46 | Bracket, Rear Axle | 55065F200 |
| 12 | Transmission, Peerless 708C | + | 47 | Differential, Peerless 100-055 + | |
| 13 | Woodruff Key #9 | 20697 | 48 | Roller Chain | 55115 |
| 14 | Guide Screw | 20619 | 49 | Roller** | 90176 |
| 15 | Locknut, Flange 3/8"-16 | 15x84 | 50 | Locknut, Flange 5/16"-18** | 15x88 |
| 16 | Carriage Bolt 3/8"-16x3/4" | 2x56 | 51 | Chain Adjusting Bracket | 55194F200 |
| 17 | Carriage Bolt 5/16"-18x5/8" | 2x53Z | 52 | Hex Nut, Flange 3/8"-16 | 15x68Z |
| 18 | Screw, Tapping | 26x49 | 53 | Shoulder Bolt 5/16"-18x1.72*** | 9x22 |
| 19 | Chain Guide | 23553Z | 54 | Sprocket & Chain Guard, 50 Tooth | 55621 |
| 20 | Pedal, Clutch/Brake | 55395E701 | 55 | Connecting Link | 407059 |
| 21 | Torsional Spring, Pedal | 166x18 | 56 | Key, Square 3/16" | 21553 |
| 22 | Lever Assembly, Brake/Clutch | 55656F200 | 58 | E-Ring | 11x3 |
| 23 | Washer | 17x67Z | 59 | Washer | 17x115Z |
| 24 | Washer | 17x47Z | 60 | Valve Stem & Cap | 24373 |
| 25 | Washer | 17x47Z | 61 | Tire Only* | 24393 |
| 26 | Rod, Brake/Clutch | 55495Z | 62 | Wheel Only | 91626E804 |
| 27 | Extension Spring, Brake | 165x42 | 64 | Guide Block** | 23403 |
| 28 | Shoulder Bolt 3/8"-16x5/8" | 9x30 | 66 | Screw, Tapping** | 26x214 |
| 29 | Hex Bolt 5/16"-18x3/4" | 1x91 | 67 | Clevis | 21915Z |
| 30 | Extension Spring, Clutch | 165x39 | 68 | Clevis Pin | 29x99 |
| 31 | Hex Nut, Flange 5/16"-18 | 15x79Z | 69 | Hex Nut | 15x2 |
| 32 | Lockwasher | 18x15 | 70 | Hub Caps, Optional | 24582 |
| 33 | Hex Bolt 5/16"-18x5/8" | 1x45 | | | |
| 34 | Idler Arm Assembly | 55067Z | | | |

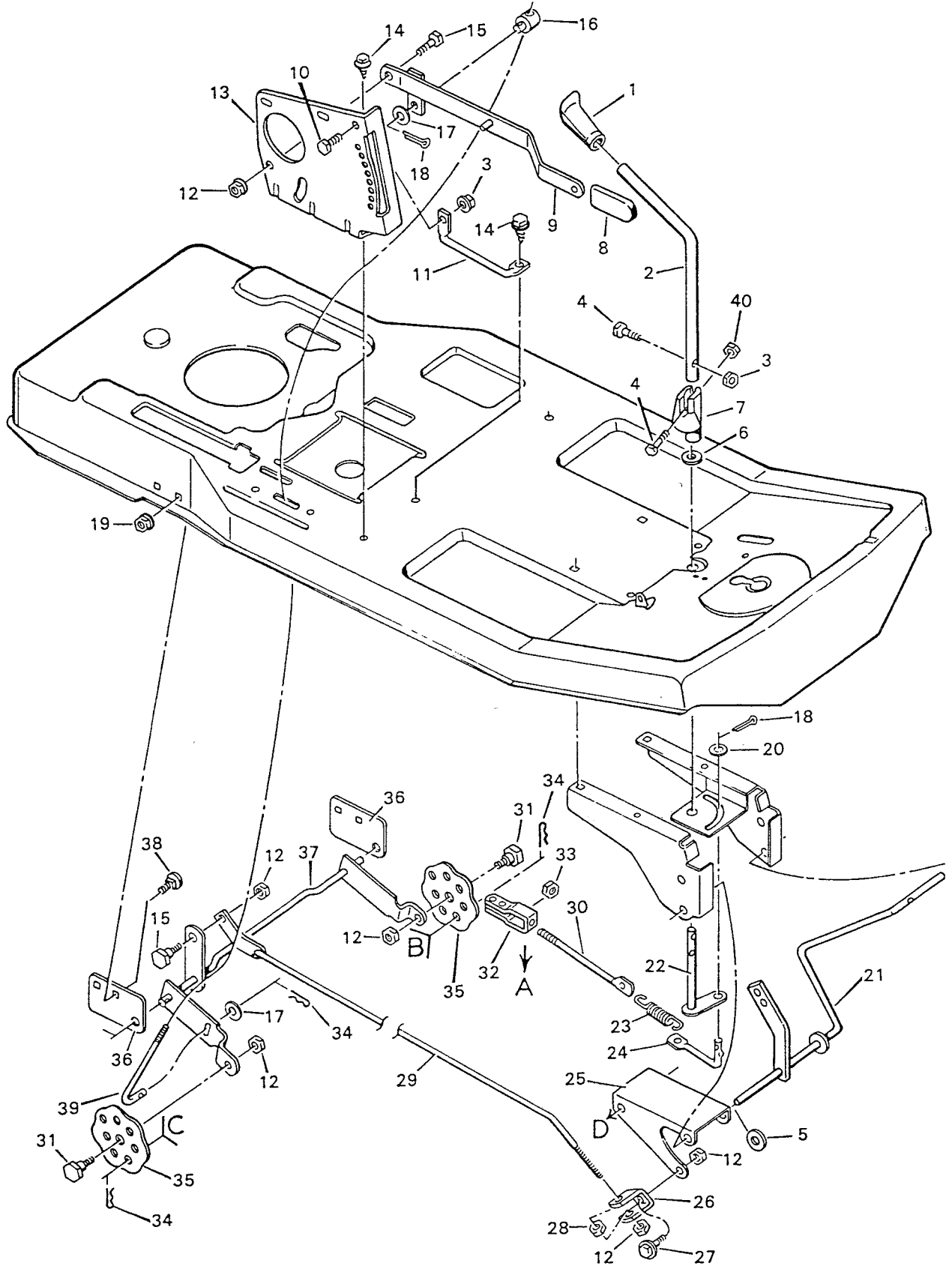
+ Replacement parts for the transmission or differential are available from a Tecumseh Authorized Service Center. See "Engines, Gasoline" or "Gasoline Engines" in the yellow pages of the telephone directory.

* For replacement parts, always give the name on the side of the tire so that the tire pattern will be the same.

** These parts are included with the chain adjusting bracket, Key No. 51.

**MODEL NOS. 9-30502C
9-30502D**

**MOWER HOUSING
TOP HALF**



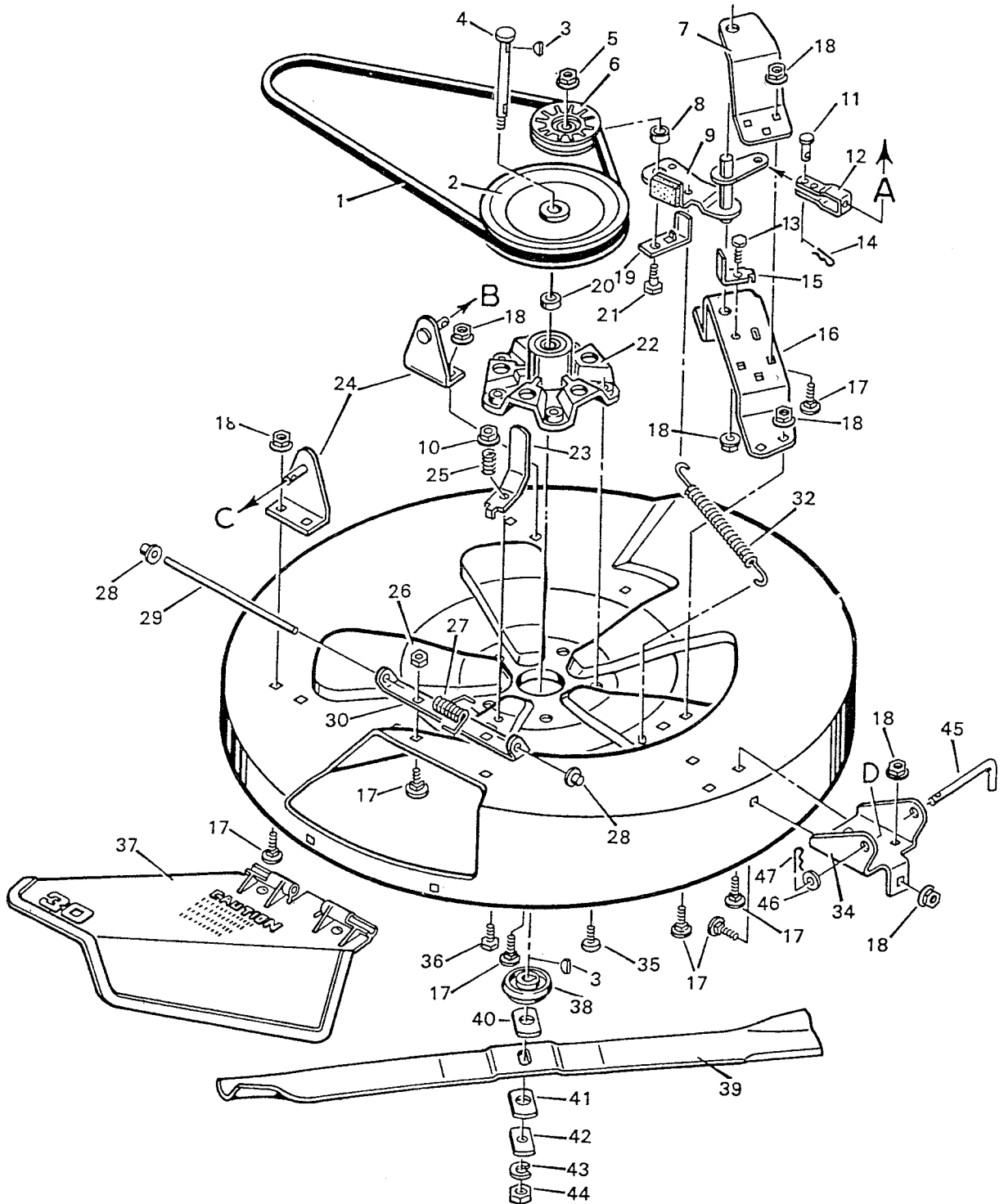
**MOWER HOUSING
TOP HALF**

**MODEL NOS. 9-30502C
9-30502D**

| KEY NO. | DESCRIPTION | PART NO. |
|------------|--|-------------|
| 1 | Grip, Blade Control Lever | 55449 |
| 2 | Lever, Blade Control | 55927Z |
| 3 | Locknut, Flange ¼''-20 | 15x89 |
| 4 | Bolt, Hex ¼''-20 | 1x76 |
| 5 | Washer | 17x122Z |
| 6 | Washer | 17x67Z |
| 7 | Cam, PTO | 55853 |
| 8 | Grip, Lifter | 91573 |
| 9 | Lever Assembly, Lifter | 56031F200 |
| 10 | Bolt, Hex ¼''-20x ⁵ / ₈ '' | 1x38 |
| 11 | Strut | 55348F200 |
| 12 | Locknut, Flange ³ / ₈ ''-16 | 15x84 |
| 13 | Plate, Index | 55365F200 |
| 14 | Screw | 26x49 |
| 15 | Bolt, Shoulder ³ / ₈ ''-16 | 9x9Z |
| 16 | Nut, Adjuster | 21920 |
| 17 | Washer | 17x53Z |
| 18 | Pin, Cotter | 30x20 |
| 19 | Nut, Hex Flange ⁵ / ₁₆ ''-18 | 15x88 |
| 20 | Washer | 17x48 |
| 21 | Lever Assembly | 55656F200 |
| 22 | Rod & Arm Assembly | 55930F200 |
| 23 | Spring, Extension | 165x67 |
| 24 | Link, Front Deck | 55179F200 |
| 25 | Bracket, Front Suspension | 55139F200 |
| 26 | Clevis | 55298F200 |
| 27 | Bolt, Shoulder ³ / ₈ ''-16 | 9x17 |
| 28 | Nut, Hex Jam ³ / ₈ ''-16 | 15x73 |
| 29 | Rod Assembly | 55957F200 |
| 30 | Link | 55271Z |
| 31 | Bolt, Shoulder | 9x4 |
| 32 | Clevis, Adjuster | 24471Z |
| 33 | Nut, Hex ⁵ / ₁₆ ''-18 | 15x2 |
| 34 | Hairpin | 31x4 |
| 35 | Plate, Adjuster | 55344E701 |
| 36 | Plate, Mounting | 55270F200 |
| 37 | Rod Assembly, Suspension | 55346F200 |
| 38 | Bolt, Carriage | 2x64 |
| 39 | Rod, Lifter | 24839F200 |
| 40 | Locknut, Keps | 15x66 |

MODEL NOS. 9-30502C
9-30502D

MOWER HOUSING
BOTTOM HALF



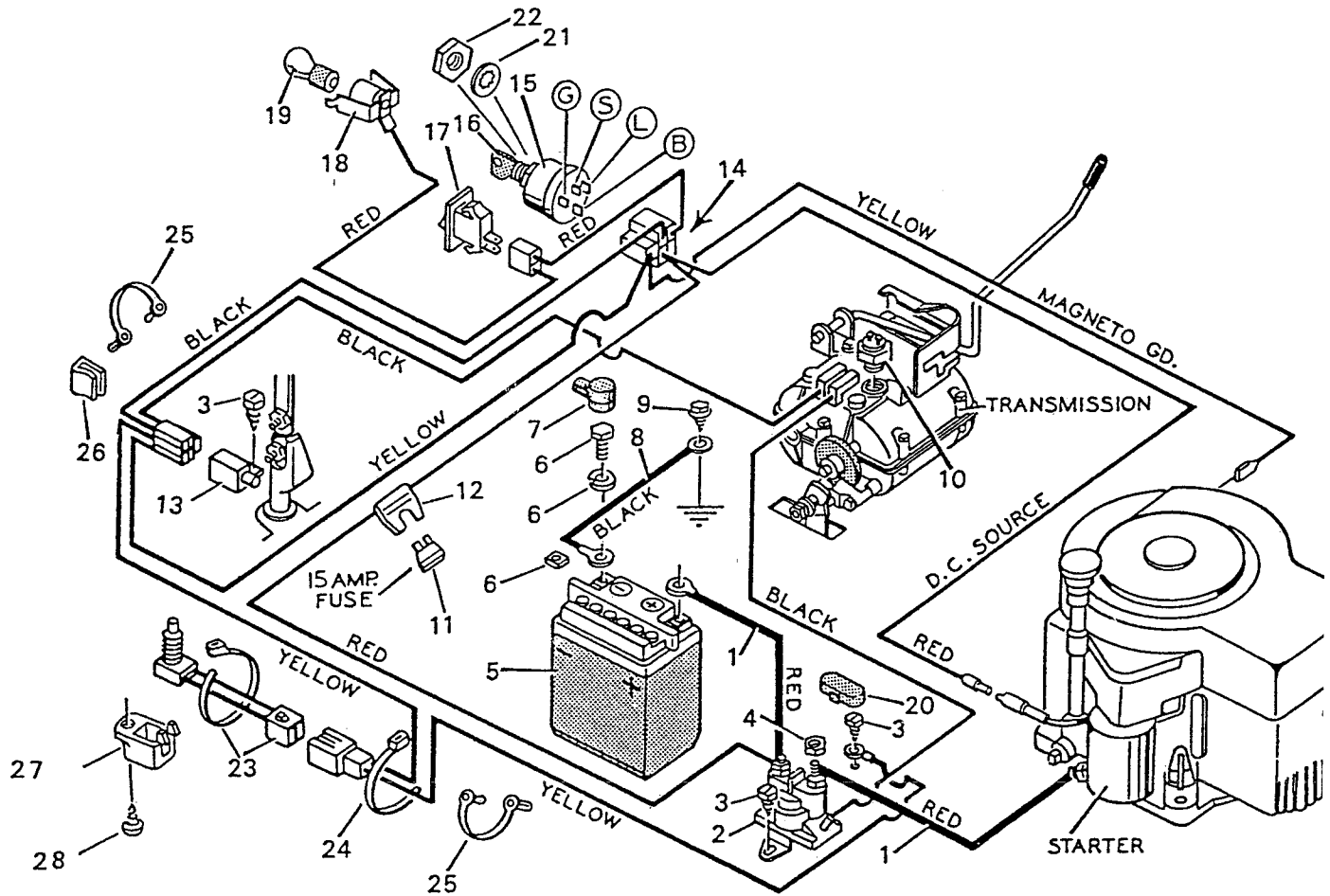
**MOWER HOUSING
BOTTOM HALF**

**MODEL NOS. 9-30502C
9-30502D**

| KEY NO. | DESCRIPTION | PART NO. |
|--------------------|--|---------------------|
| 1 | Belt, Mower Drive | 37x57 |
| 2 | Pulley | 90242 |
| 3 | Key, Woodruff | 20062 |
| 4 | Mandrell | 55272 |
| 5 | Nut, Hex | 15x41 |
| 6 | Pulley, Idler | 91178 |
| 7 | Bracket, Upper Idler | 55921E701 |
| 8 | Spacer | 55895 |
| 9 | Assembly, Blade Idler | 55979E701 |
| 10 | Locknut, Flange | 15x88 |
| 11 | Pin, Clevis | 29x99 |
| 12 | Clevis | 24471Z |
| 13 | Bolt, Hex | 1x45 |
| 14 | Pin, Hair | 31x6 |
| 15 | Guide, Belt | 55977E701 |
| 16 | Bracket, Lower Idler | 55920E701 |
| 17 | Bolt, Carriage | 2x53Z |
| 18 | Nut, Flange | 15x79Z |
| 19 | Guide, Belt | 55894E701 |
| 20 | Spacer | 55273Z |
| 21 | Bolt, Hex | 1x127 |
| 22 | Housing, Mandrel | 55962E701 |
| 23 | Guide, Belt | 55956Z |
| 24 | Bracket, Hanger | 55974E701 |
| 25 | Spring, Compression | 164x1 |
| 26 | Nut, Hex | 15x43Z |
| 27 | Spring, Torsional | 166x4 |
| 28 | Push On Cap | 28x23 |
| 29 | Rod | 21197Z |
| 30 | Hinge, Chute Deflector | 55963E701 |
| 32 | Spring, Extension | 165x68 |
| 34 | Bracket, Front | 55916E701 |
| 35 | Screw | 26x216 |
| 36 | Bolt, Hex $\frac{5}{16}$ "-18x $\frac{7}{8}$ " | 1x75 |
| 37 | Deflector, Chute | 55971 |
| 38 | Adapter, Blade | 54211 |
| 39 | Blade | 56061HT |
| 40 | Washer | 24614Z |
| 41 | Washer | 21673Z |
| 42 | Washer | 20663Z |
| 43 | Lockwasher | 18x27 |
| 44 | Nut, Hex | 15x72 |
| 45 | Pin, Pull | 90828Z |
| 46 | Washer | 17x67Z |
| 47 | Pin, Hair | 31x4 |
| 1-47 | Mower Housing, Complete | 403224 |

**MODEL NOS. 9-30502C
9-30502D**

WIRING DIAGRAM



D-434

| KEY NO. | DESCRIPTION | PART NO. | KEY NO. | DESCRIPTION | PART NO. |
|---------|-------------------------------|----------|---------|----------------------|----------|
| 1 | Cable, Battery | 24x12 | 15 | Switch | 21064 |
| 2 | Solenoid | 24285 | 16 | Key Only | 20729 |
| 3 | Screw | 26x233 | 17 | Light Switch + | 90647 |
| 4 | Nut, Locknut 1/4"-20 | 15x66 | 18 | Light Socket + | 90155 |
| 5 | Battery Type 12N14-3A | 23581 | 19 | Light Bulb + | 90084 |
| -- | Electrolyte (Battery Acid) | 55320 | 20 | Solenoid Cap | 56049 |
| 6 | Hardware, Battery | 402012 | 21 | Washer, Shakeproof | 19x40 |
| 7 | Cover, Battery Terminal | 24196 | 22 | Nut, Hex | 15x105 |
| 8 | Cable, Ground Battery | 24x9 | 23 | Switch, Seat Sensor | 91031SE |
| 9 | Screw | 26x49 | 24 | Tie Strap | 32618 |
| 10 | Limit Switch, Transmission | 23479 | 25 | Clamp, Wire* | 21980 |
| 11 | Fuse, 15 AMP | 54212 | 26 | Clip, Wire Adhesive* | 55939 |
| 13 | Limit Switch | 91032 | 27 | Cover, Seat Switch | 56062 |
| 14 | Wiring Harness, with light | 250x5 | 28 | Screw | 26x159 |
| -- | Wiring Harness, without light | 250x6 | | | |

* Part is not shown.

+ Part only used on models with lights.