

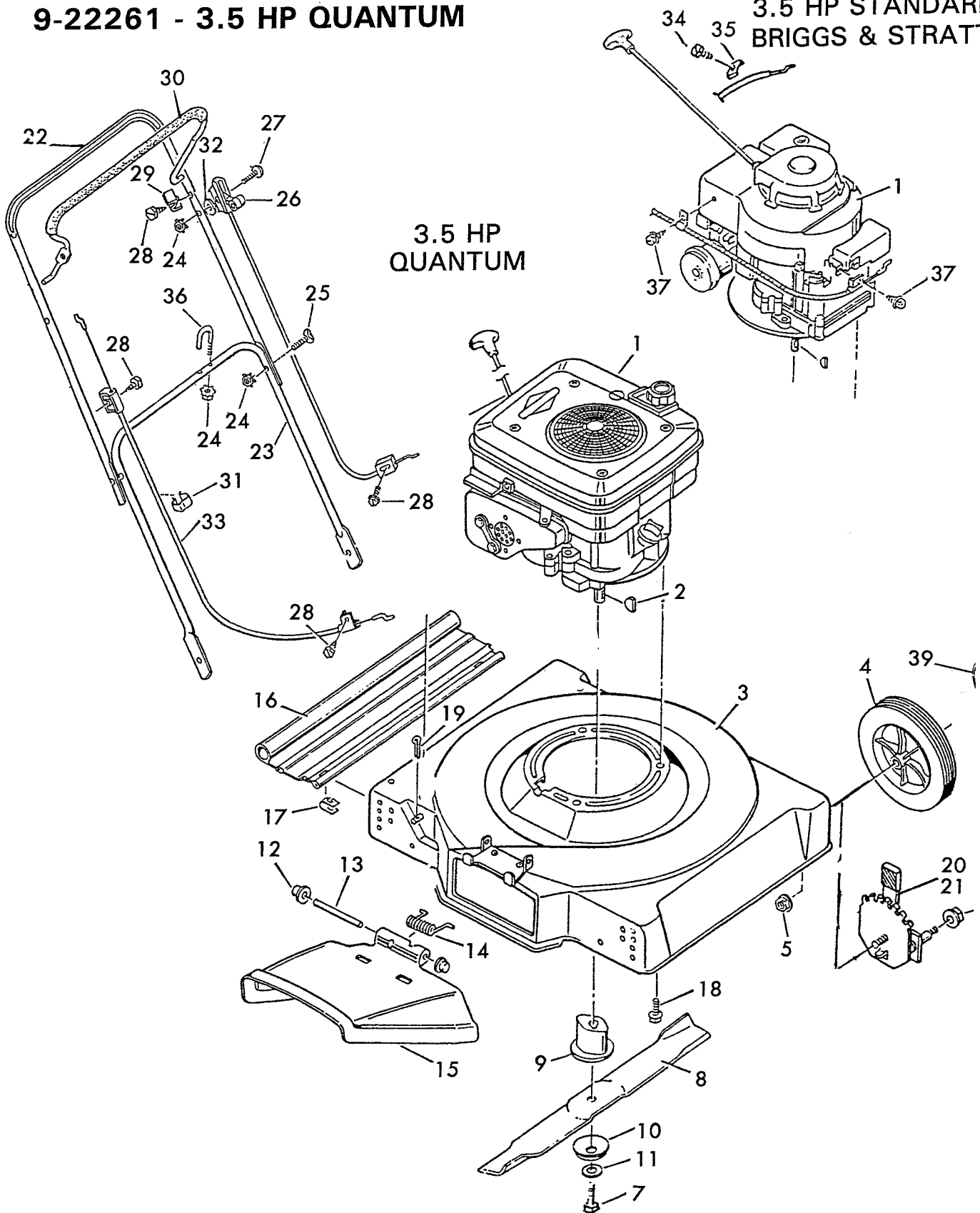
**MODEL NO.**

**9-22251 - 3.5 HP STANDARD BRIGGS & STRATTON**

**9-22261 - 3.5 HP QUANTUM**

**22" MOWER ILLUSTRATION**

**3.5 HP STANDARD  
BRIGGS & STRATTON**



**3.5 HP  
QUANTUM**

**22" MOWER PARTS LIST****MODEL NO. 9-22251  
9-22261**

| KEY<br>NO. | DESCRIPTION  | 9-22251<br>PART NO. | 9-22261<br>PART NO. |
|------------|--|---------------------|---------------------|
| 1          | Engine*  | ----                | ----                |
| 2          | Key, Woodruff                                      | 20062               | 20062               |
| 3          | Housing, For Fixed Handle                          | 70102               | 70102               |
| 4          | Wheel and Tire                                     | 42173               | 42173               |
| 5          | Locknut, Flange                                    | 15x68Z              | 15x68Z              |
| 6          | Locknut, Flange                                    | 15x84               | 15x84               |
| 7          | Bolt, Hex  | 1x68                | 1x68                |
| 8          | Blade  | 20046HT             | 20046HT             |
| 9          | Adapter, Blade                                     | 42734               | 42734               |
| 10         | Washer   | 17x137              | 17x137              |
| 11         | Washer   | 17x124              | 17x124              |
| 12         | Push On Cap  | 28x42               | 28x42               |
| 13         | Pivot Pin  | 215x11Z             | 215x11Z             |
| 14         | Spring   | 166x5               | 166x5               |
| 15         | Chute Deflector                                    | 42919               | 42919               |
| 16         | Rear Deflector                                     | 42747               | 42747               |
| 17         | Retainer   | 42743               | 42743               |
| 18         | Bolt, Engine                                       | 25x6                | 25x6                |
| 19         | Pin, Cotter  | 30x35               | 30x35               |
| 20         | Height Adjustor Assembly<br>Left Front, Right Rear | 401007              | 401007              |
| 21         | Height Adjustor Assembly<br>Right Front, Left Rear | 401008              | 401008              |
|            | Grip   | 43394               | 43394               |
| 22         | Handle, Upper                                      | 43311E701           | 43311E701           |
| 23         | Handle, Lower                                      | 43272E701           | 43272E701           |
| 24         | Locknut  | 15x66               | 15x66               |
| 25         | Bolt   | 3x136               | 3x136               |
| 26         | Throttle Control                                   | 43502               | 43502               |
| 27         | Bolt   | 3x140               | 3x140               |
| 28         | Screw  | ----                | 6x95                |
| 29         | Stop, Lever  | 42765V701           | 42765V701           |
| 30         | Engine Stop Lever                                  | 43304               | 43304               |
| 31         | Cable Tie  | 43525               | 43525               |
| 32         | Washer   | 17x32Z              | 17x32Z              |
| 33         | Engine Stop Cable                                  | 42569               | 43370               |
| 34         | Screw  | 26x181              | ----                |
| 35         | Clamp  | 20073               | 43093               |
| 36         | U Bolt   | 42896               | 42896               |
| 37         | Screw  | 26x234              | ----                |
| 39         | Hub Cap  | ----                | 20107               |
|            | Parts Bag  | 43487               | 43461               |
|            | Instruction Book                                   | F-89426             | F-89412             |

\* Parts are available from a Briggs & Stratton Authorized Service Center. See "Engines, Gasoline" or "Gasoline Engines" in the yellow pages of the telephone directory.