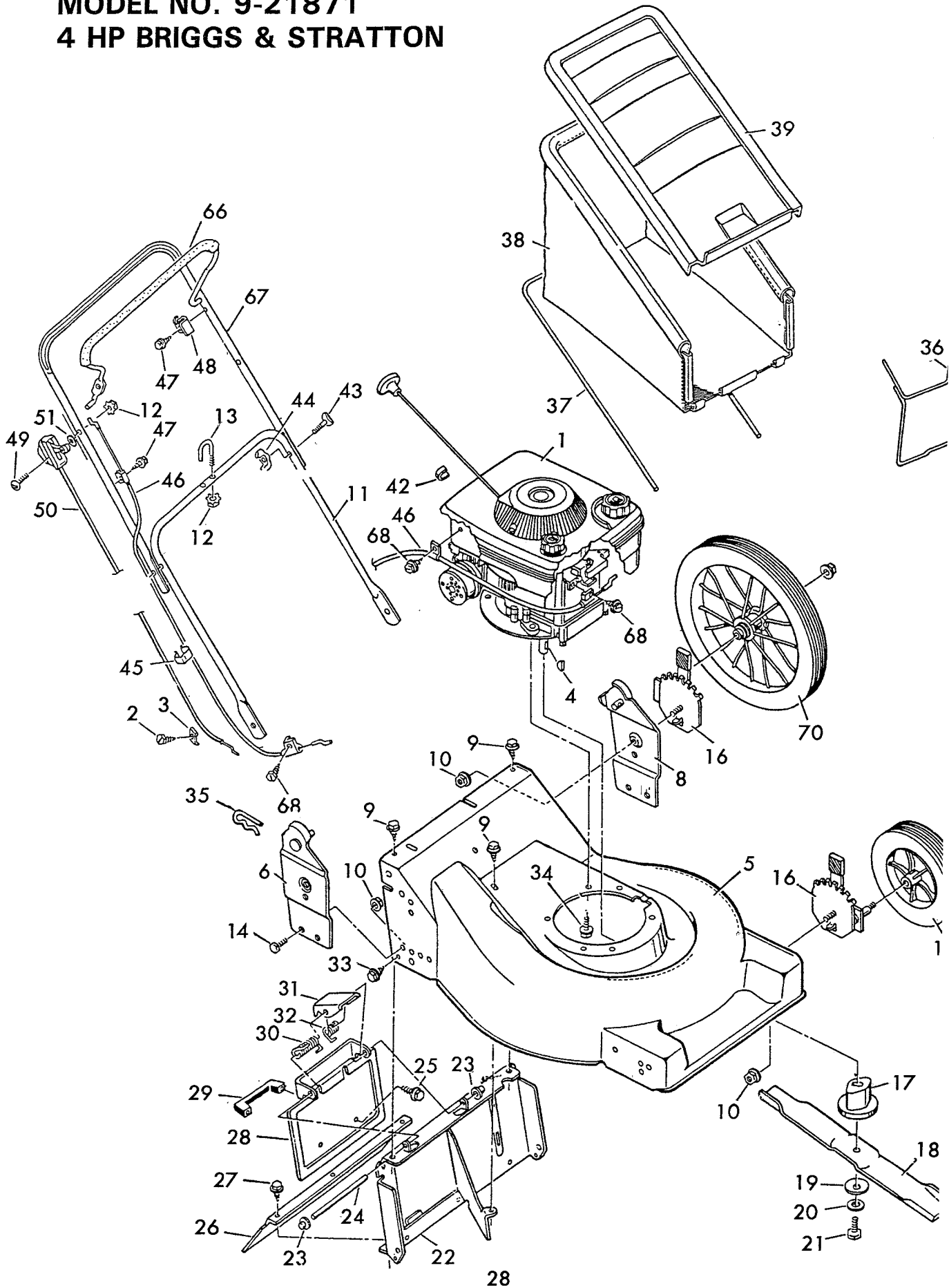


21" MOWER ILLUSTRATIC

MODEL NO. 9-21871  
4 HP BRIGGS & STRATTON



## REAR BAGGER PARTS LIST

## MODEL 9-21871

KEY NO.	DESCRIPTION	MODEL 21871	KEY NO.	DESCRIPTION	MODEL 21871
1	Engine *	----	38	Bag, Cloth	043522
2	Screw	26x237	39	Cover	043520
3	Clamp	42294		Parts 36-39 - 407088	
4	Key, Woodruff	20062	42	Stop, Rope	42189
5	Housing	70109	43	Bolt, Contour Head	6x73
6	Bracket, Right Handle	43402	44	Wing Nut	14x83
8	Bracket, Left Handle	43403	45	Cable Tie	43525
9	Screw, Tapping	26x214	46	Engine Stop Cable	42945
10	Nut, Flange	15x68Z	47	Screw	26x220
11	Handle, Lower	43189E701	48	Stop, Lever	42765V701
12	Locknut	15x66	49	Screw	3x140
13	U Bolt	42896	50	Throttle Control	43511
14	Bolt	1x85	51	Washer	17x32Z
15	Wheel and Tire, Front	43273	65	Locknut, Flange	15x84
16	Height Adjuster Assembly		66	Engine Stop Lever, Deluxe	43303
	Right Front	401008	67	Handle, Deluxe Upper	43308E701
	Left Front	401007	68	Screw	26x234
	Right Rear	401018	70	Wheel, Rear	70106
	Left Rear	401019		Rear Wheel Bearing	43407
	Grip	43394		Parts Bag	43465
17	Blade Adapter	42735		Instruction Book	F-89410
18	Blade	2286OHT			
19	Washer, Blade	17x137			
20	Washer	17x124			
21	Bolt, Hex	1x69			
22	Plate, Rear	43247F200			
23	Push On Cap	28x42			
24	Pin, Pivot	215x13Z			
25	Screw	26x244			
26	Deflector, Rear	43263			
27	Screw	26x245			
28	Door, Rear	43261E701			
29	Handle, Door	43256			
30	Spring, Torsion	166x31			
31	Latch	42004Z			
32	Spring, Torsion	166x30			
34	Bolt, Engine Mounting	25x6			
35	Hair Pin	31x5			
36	Frame Assembly, Bag	43513			
37	Tube, Upper Support	43519			

\* The engine model, type, and code numbers are on the engine. All parts to the engine are available from a Briggs & Stratton Authorized Service Center. See "Engines, Gasoline" or "Gasoline Engines" in the yellow pages of the telephone directory.