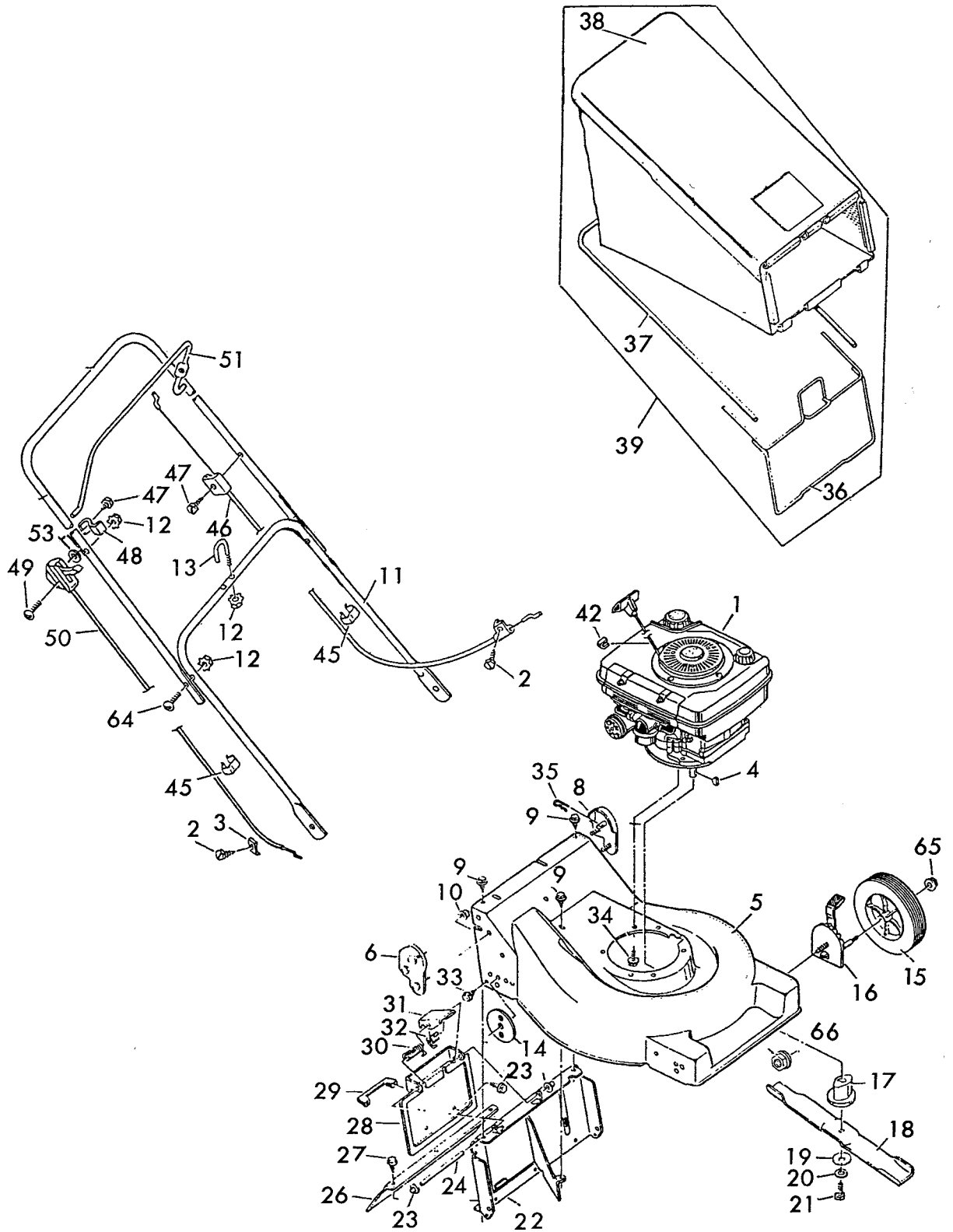


MODEL NO. 9-21853
3.5 HP TECUMSEH PREMIER

21" MOWER ILLUSTRATIO



21" MOWER PARTS LIST

MODEL 9-21853

KEY NO.	DESCRIPTION	PART NO.	
1	Engine*	----	
2	Screw	6X94	
3	Clamp	43093	
4	Key, Woodruff	20062	
5	Housing	70103	
6	Bracket, Right Handle	43192	
8	Bracket, Left Handle	43193	
9	Screw, Tapping	26X214	
10	Nut, Flange	15X79	
11	Handle, Lower	43189E701	- 43189C
12	Locknut	15X66	
13	U Bolt	42896	
14	Spacer	43198	
15	Wheel and Tire	42173	
16	Wheel Adjuster Assembly		
	Right Front & Left Rear	401008	
	Left Front & Right Rear	401007	
	Grip	43394	
17	Blade Adapter	42735	
18	Blade	22860HT	
19	Washer, Blade	17X137	
20	Washer	17X124	
21	Bolt, Hex	1X69	
22	Plate, Rear	43247F20	
23	Push On Cap	28X42	
24	Pin, Pivot	215X13Z	
25	Screw	26X244	
26	Deflector, Rear	43263	
27	Screw	26X245	
28	Door, Rear	43261E701	
29	Handle, Door	43256	
30	Spring, Torsion	166X31	
31	Latch	42004Z	
32	Spring Torsion	166X30	
33	Screw	26X214	
34	Bolt, Engine Mounting	25X6	
35	Hair Pin	31X5	
36	Frame Assembly, Bag	43264	
37	Tube, Upper Support	42432	
38	Bag, Black	43267	
39	Bag and Frame	407085	
42	Stop, Rope	42189	
45	Cable Tie	43525	
46	Engine Stop Cable	43362	
47	Screw	26X220	
48	Stop	43044V701	
49	Screw	3X105	
50	Throttle Control	43367	
51	Engine Stop Lever, Standard	42763E701	- 42763C
52	Handle, Upper	43301E701	- 43301C
53	Washer	17X32Z	
64	Bolt	3X136	
65	Locknut Flange	15X84	
66	Locknut Flange	15X68Z	
	Instruction & Parts List	F-89406	
	Parts Bag	43463	