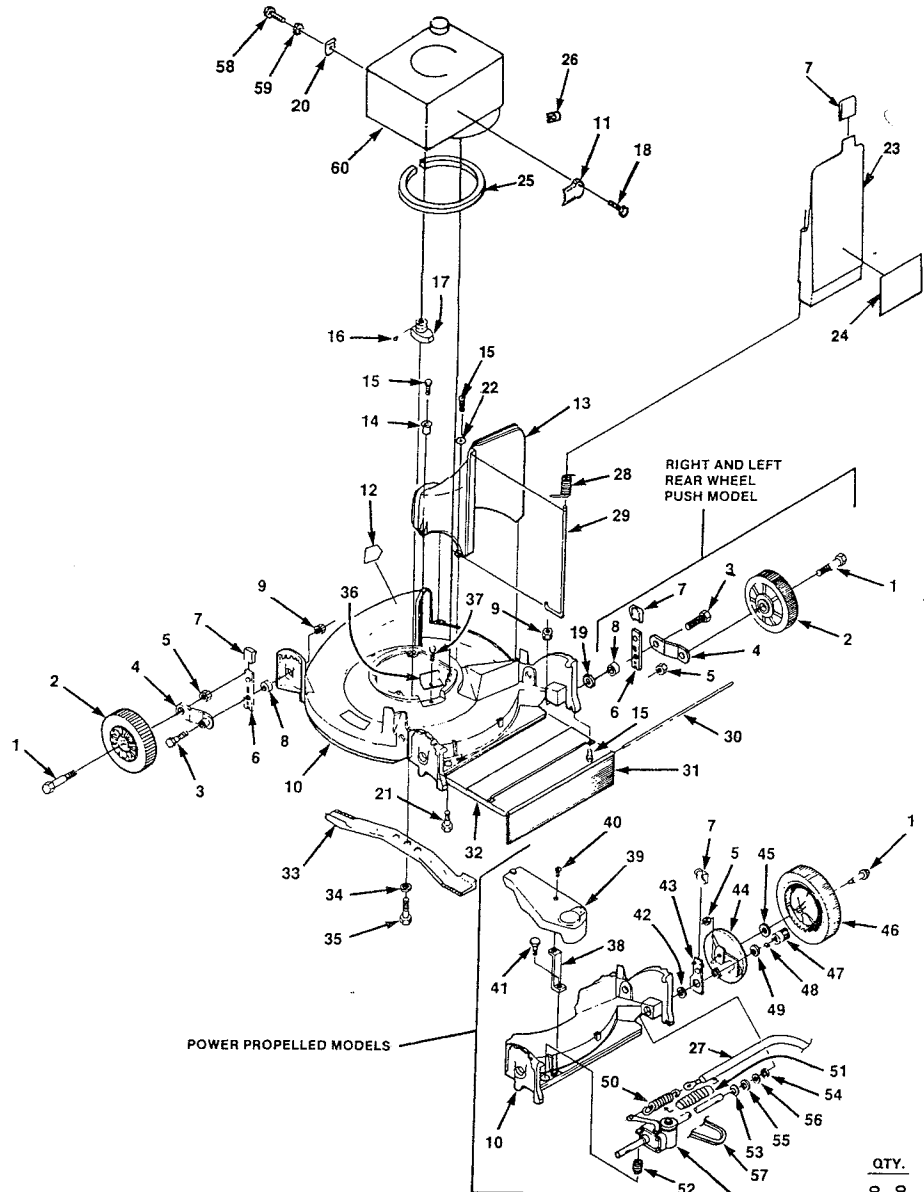


MODEL NOS. 9-21000—9-21900

HOUSING ILLUSTRATI

ORDER PARTS FROM MURRAY CENTRAL



NO.	PART NO.	QTY.		DESCRIPTION
		9-21000	9-21900	
1	JA-99213-8	4	4	BOLT - Axle 3/8-16 (incl. #5)
2	JA-99395-8	4	2	WHEEL & TIRE
3	JA-35918-0	4	2	BOLT - Hex hd. 3/16-18
4	JA-99128-7	4	2	ARM - Wheel hgt. adjusting
5	JA-44485-0	4	4	NUT - Hex 3/8-16
6	JA-99008-7	4	2	SPRING - Index
7	JA-33662-3	5	5	KNOB - Indexing spring
8	JA-35836-2	4	2	SPACER - Index spring
9	JA-44577-5	4	2	NUT - Flange 3/16-18
10	JA-99425-4	1	1	DECK - 21" (Incl. #12)
	JA-99428-3	1	1	DECK - 21" (Incl. #12)
11	JA-35925-6	1	1	DEFLECTOR - Muffler
12	JA-33946-0	1	1	DECAL - Warning
13	JA-99429-8	1	1	CHUTE - Discharge (Incl. #14)
14	JA-47318-3	3	3	STIMPSON EYELET
15	JA-40887-8	6	6	SCREW - Hex hd. 1/4-20 x 3/4"
16	JA-46302-9	1	1	KEY - Woodruff #61
	JA-46310-7	1	1	KEY - (5/8 x 3/32)
17	JA-99429-9	1	1	ADAPTER - Blade
	JA-99119-8	1	1	ADAPTER - Blade
18	JA-40888-0	3	3	SCREW - Hex hd. 8-32 x 3/8"
19	JA-45300-9	2	2	WASHER - Flat 3/16"
20	JA-99302-6	1	1	CLAMP
21	JA-40887-6	3	3	SCREW - 3/8-16 x 1 1/2"
22	JA-45302-3	1	1	WASHER - 1/4"
23	JA-99423-9	1	1	DOOR - Chute
24	JA-99121-7	1	1	DECAL - Door
25	JA-99424-1	1	1	RING - Engine
26	JA-99056-7	1	1	STOP - Rope
27	JA-99107-5	1	1	CABLE - Traction
28	JA-99294-7	1	1	SPRING - Door
29	JA-35916-7	1	1	PIN - Hinge
30	JA-35917-0	1	1	ROD - Drag flap
31	JA-35925-7	1	1	FLAP - Drag
32	JA-99128-4	1	1	COVER - Rear
	JA-99128-5	1	1	COVER - Rear

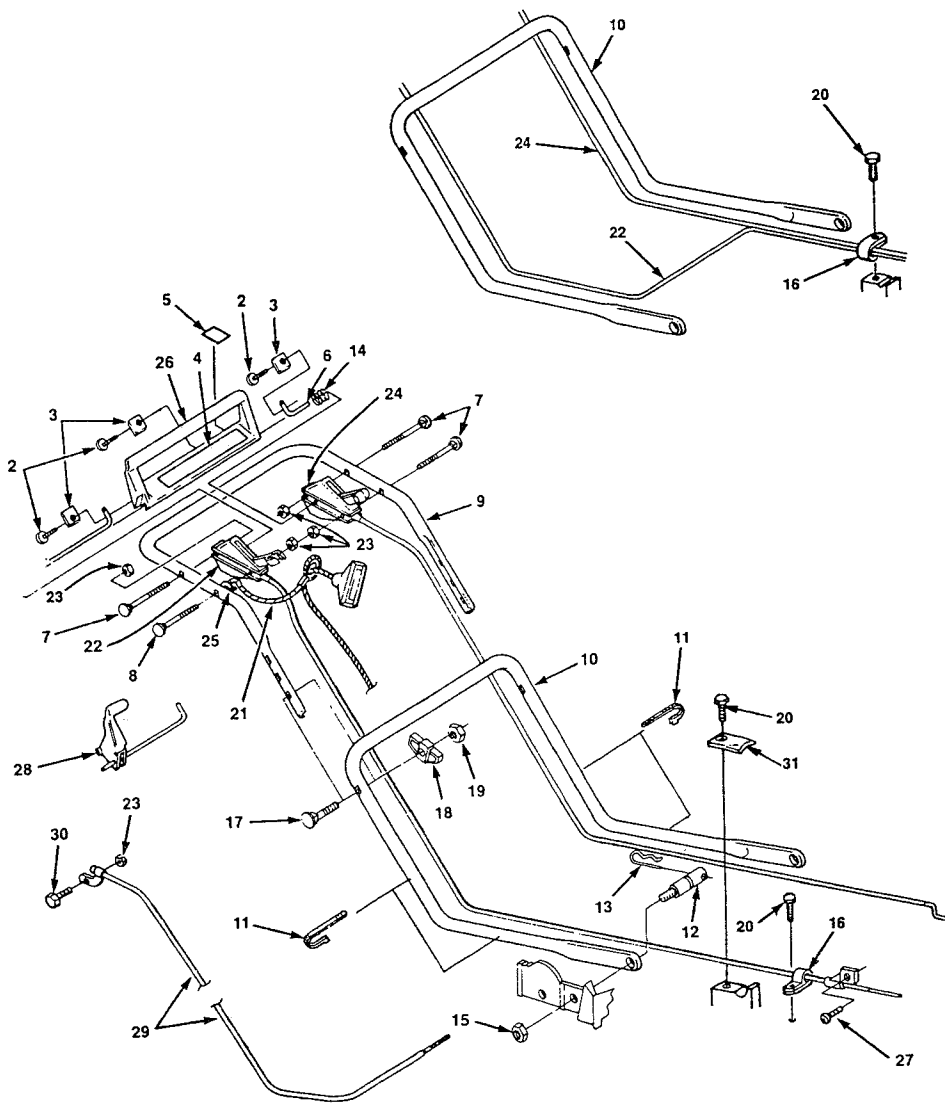
SEE FIGURE 4

NO.	PART NO.	QTY.		DESCRIPTION
		9-21000	9-21900	
33	JA-99276-6	1	1	BLADE - 21"
	JA-39016-2	1	1	BLADE - 21"
34	JA-44614-2	1	1	WASHER - Lock 3/16"
	JA-44614-8	1	1	WASHER - Lock 7/16"
35	JA-40375-3	1	1	BOLT - 3/8-24 x 1 1/4"
	JA-99121-2	1	1	BOLT - Shoulder
36	JA-99128-6	1	1	COVER - Belt opening
37	JA-40990-7	1	1	SCREW - Hex hd. 1/4-
38	JA-99424-3	1	1	SUPPORT
39	JA-99431-2	1	1	COVER - Drive
40	JA-40887-9	1	1	SCREW - Rd. hd. 1/4-2
41	JA-40970-4	1	1	SCREW - Hex hd. 10-
42	JA-35914-1	2	2	SPACER - Hgt. adj.
43	JA-99128-8	2	2	SPRING - Index
44	JA-99007-4	2	2	DRIVE WHEEL SUPPC
45	JA-35950-0	2	2	WASHER - Flat
46	JA-99397-5	2	2	WHEEL & TIRE
47	JA-20424-4	1	1	PINION (R.H.)
	JA-20424-5	1	1	PINION (L.H.)
48	JA-31365-9	2	2	PAWL - Pinion
49	JA-35107-7	2	2	WASHER - Flat
50	JA-37574-8	1	1	SPRING - Traction lev
51	JA-35927-0	1	1	COVER - Spring
52	JA-35926-6	1	1	SPRING - Compressor
53	JA-45945-1	2	2	RING - Eaton
54	JA-45403-7	2	2	WASHER - Flat
55	JA-35340-6	2	2	WASHER - Flat
56	JA-32814-7	4	4	WASHER - Shim
57	JA-99121-8	1	1	BELT - Drive
58	JA-40010-4	1	1	SCREW - Hex 1/4-20 x
59	JA-44612-8	1	1	WASHER - Lock 1/4"
60	43028	1	1	ENGINE
	43029	1	1	ENGINE

**HANDLE ILLUSTRATIONS**

**MODEL NOS. 9-21000—9-21900**

**ORDER FROM MURRAY CENTRAL**

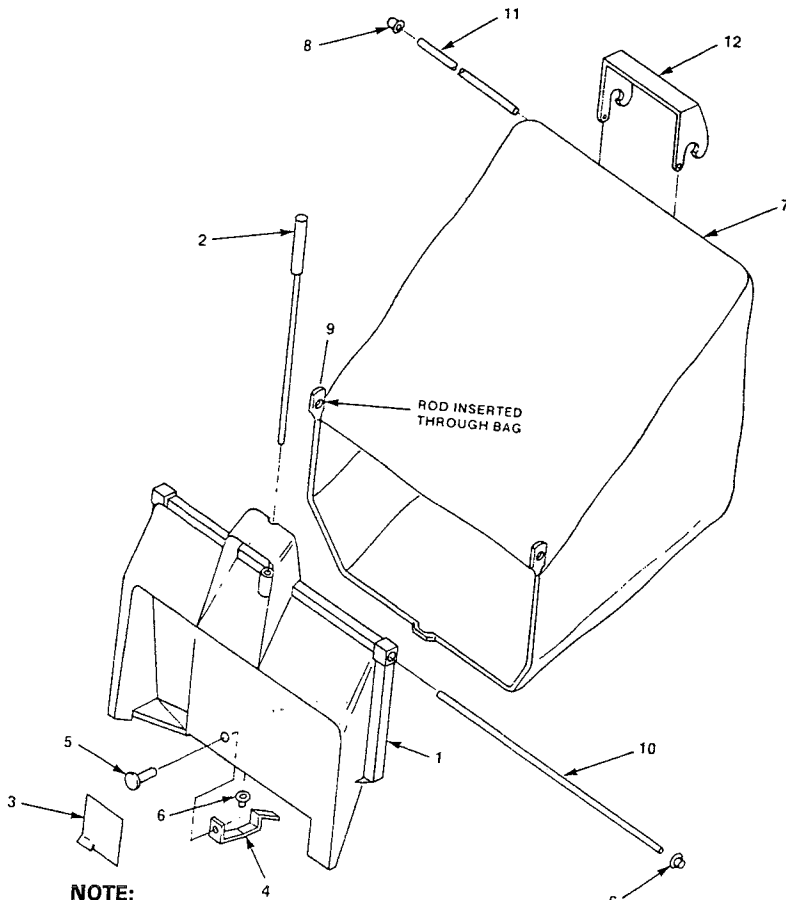


NO.	PART NO.	QTY.		DESCRIPTION	NO.	PART NO.	QTY.		DESCRIPTION
		9-21000	9-21900				9-21000	9-21900	
1	JA-99555-0	1		SHAFT - Pivot	17	JA-35910-2	2	2	BOLT - Sq. neck 5/16-18
2	JA-40888-1	3	3	SCREW - 1/4-10 x 5/8"	18	JA-33955-0	2	2	KNOB - Handle
3	JA-99257-0	3	3	CLAMP - Pivot shaft	19	JA-44310-6	2	2	NUT - Hex 5/16-18
4	JA-99424-9	1	1	DECAL - Brake bail	20	JA-40990-8	1	1	SCREW - Hex hd. 1/4-20 x 5/8"
5	JA-99409-0	1	1	DECAL - blade rotation	21	JA-99539-0	1	1	ROPE - Restraint
6	JA-99256-0	1	1	SHAFT - Pivot (short)	22	JA-99424-7	1		CONTROL - Manual start
7	JA-99292-0	3	3	BOLT - Sq. neck 1/4-20 x 2"	23	JA-99246-7		1	CONTROL - Manual start
8	JA-99293-0	1	1	BOLT - Sq. neck 1/4-20 x 2 1/4"	24	JA-994646	1		CONTROL - Throttle
9	JA-99235-0	1	1	HANDLE - Upper		JA-99303-1	1		CONTROL - Throttle
10	JA-99236-0	1	1	HANDLE - Lower	25	JA-34454-4	1	1	WASHER - Curved
11	JA-99427-4	4	4	STRAP - Tie	26	JA-99319-0	1	1	BAIL - Brake control
12	JA-35917-8	2	2	STUD - Handle mtg.	27	JA-40358-6	1	1	SCREW - Hex hd. 10-32 x 3/8"
13	JA-46030-6	2	2	PIN - Cotter hair		JA-40374-4	1		SCREW - Hex hd. 10-24 x 1/2"
14	JA-99014-1		1	SPRING - Compression	28	JA-99554-0	1		LEVER - Traction
15	JA-44577-5	2	2	NUT - Hex flange 5/16-18	29	JA-99107-5	1		CABLE - Traction
16	JA-99431-0	1	1	CLAMP	30	JA-40011-6	1		SCREW - Hex hd. 1/4-20 x 1 1/2"
					31	JA-99106-5	1		CLAMP

9-21000  
9-21900

## BAG ILLUSTRATION

### PARTS LIST FOR ALL MODELS

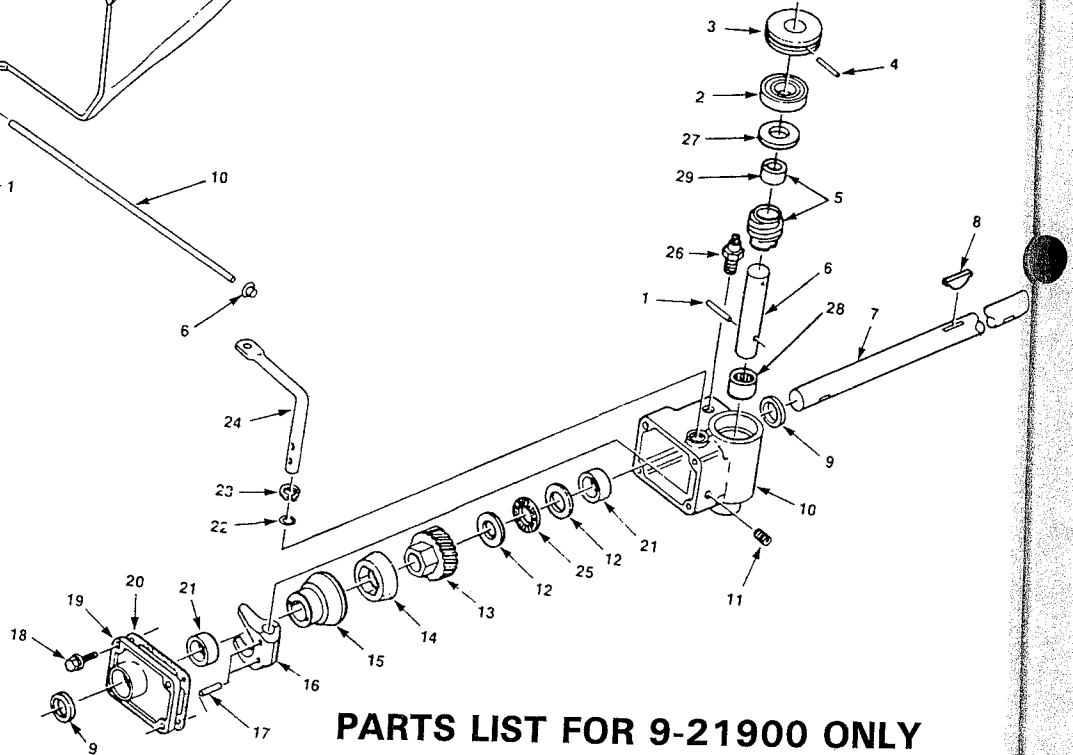


NO.	PART NO.	QTY.	DESCRIPTION
1	JA-99178-9	1	ADAPTOR - Bag (Incl. #2 thru #6)
2	JA-99178-8	1	ROD - Latch release
3	JA-37566-0	1	DEFLECTOR
4	JA-35925-9	1	LATCH
5	JA-46484-5	1	RIVET - Pop $\frac{5}{32} \times \frac{3}{8}$ "
6	JA-44551-5	3	NUT - Pal
7	JA-51875-9	1	CATCHER - Grass (Incl. #6 & #8)
8	JA-35917-9	2	END - Rod
9	JA-33665-1	1	ROD - Bag Support
10	JA-35916-8	1	ROD - Bag hinge
11	JA-35916-9	1	ROD - Upper bag
12	JA-99178-6	1	HANDLE - Upper bag

## TRANSMISSION ILLUSTRATION

**NOTE:**

COMPLETE REPLACEMENT BAG  
KIT PRODUCT NO. JA-51898-9  
WHICH INCLUDES REF. NOS. 1-12  
IS AVAILABLE.



### PARTS LIST FOR 9-21900 ONLY

NO.	PART NO.	QTY.	DESCRIPTION
1	JA-46141-5	1	PIN - $\frac{3}{16} \times \frac{7}{8}$ "
2	JA-99049-9	1	BEARING
3	JA-99122-9	1	PULLEY
4	JA-46141-4	1	PIN
5	JA-99064-2	1	WORM & SPACER (Incl. #29)
6	JA-99052-5	1	SHAFT - Worm
7	JA-99298-0	1	SHAFT - Drive
8	JA-46310-1	1	KEY - $\frac{1}{2} \times \frac{1}{8}$ "
9	JA-37611-0	2	SEAL
10	JA-99052-9	1	GEAR REDUCER HOUSING ASSY. (Includes Index #9, #21 & #28)
11	JA-47200-7	1	PLUG
12	JA-99044-6	2	RACE - Bearing
13	JA-99277-0	1	GEAR - Helical
14	JA-99278-0	1	CONE - Friction
15	JA-99280-0	1	DRUM - Clutch

NO.	PART NO.	QTY.	DESCRIPTION
16	JA-99015-3	1	FORK - Shift
17	JA-46133-0	2	PIN - $\frac{5}{32} \times \frac{3}{4}$ "
18	JA-40886-2	4	SCREW - Sems hd. $\frac{1}{4}$ -20 x $\frac{7}{8}$ "
19	JA-99016-8	1	COVER - Gearbox (Includes Index #9 & #21)
20	JA-37594-8	1	GASKET
21	JA-99282-0	2	BUSHING - Sleeve
22	JA-45903-7	1	O-RING
23	JA-45809-4	1	RING
24	JA-99411-0	1	LEVER - Shift
25	JA-99044-7	1	BEARING - Thrust
26	JA-99041-5	1	VENT
27	JA-99046-3	1	WASHER
28	JA-99052-7	1	BEARING - Needle
29	JA-99047-8	1	SPACER