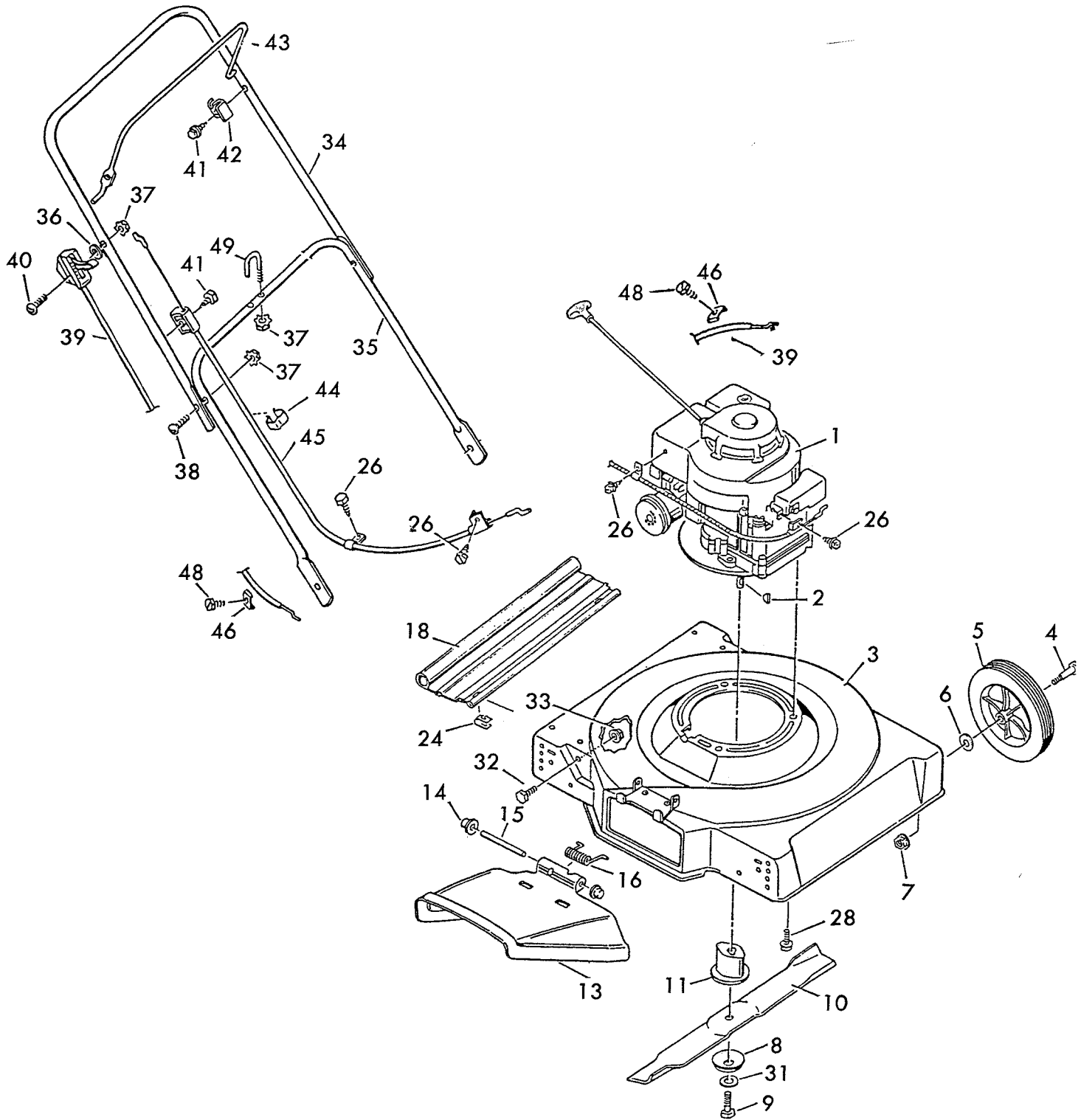


MODEL NO. 9-20201

**20" MOWER ILLUSTRATION
3.5 HP STANDARD B & S**



F-89401

20" MOWER PARTS LIST

MODEL NO. 9-20201
9-20201A

MOWER HOUSING

KEY NO.	DESCRIPTION	20" PART NO.
1	Engine*	_____
2	Key, Woodruff	20062
3	Housing	70100
4	Bolt, Axle	9x10
5	Wheel and Tire	42013
6	Washer	10851Z
7	Locknut, Flange	15x68Z
8	Washer	17x137
9	Bolt, Hex	1x68
10	Blade	20045HT
11	Adapter, Blade	42734
13	Chute Deflector	42919
14	Push On Cap	28x42
15	Pivot Pin	215x11Z
16	Spring	166x5
18	Rear Deflector	42746
24	Retainer	42743
26	Screw	26x234
28	Bolt, Engine	25x6
31	Washer	17x124
32	Bolt	1x85
33	Locknut	15x84
34	Handle, Upper	43300E701 - 43300C
35	Handle, Lower	43270E701 - 43270C
36	Washer	17x32Z
37	Locknut	15x66
38	Bolt	3x136
39	Throttle Control	42949
40	Bolt	3x105
41	Screw	26x220
42	Stop	42765V701
43	Engine Stop Lever	42763E701 - 42763C
44	Cable Tie	43525
45	Engine Stop Cable	42569
46	Clamp	20073
48	Screw	26x181
49	U Bolt	42896
	Parts Bag	43460
	Instruction Book	F-89401

* The engine model, type, and code numbers are on the engine. All parts to the engine are available from a Briggs & Stratton Authorized Service Center. See "Engines, Gasoline" or "Gasoline Engines" in the yellow pages of the telephone directory.