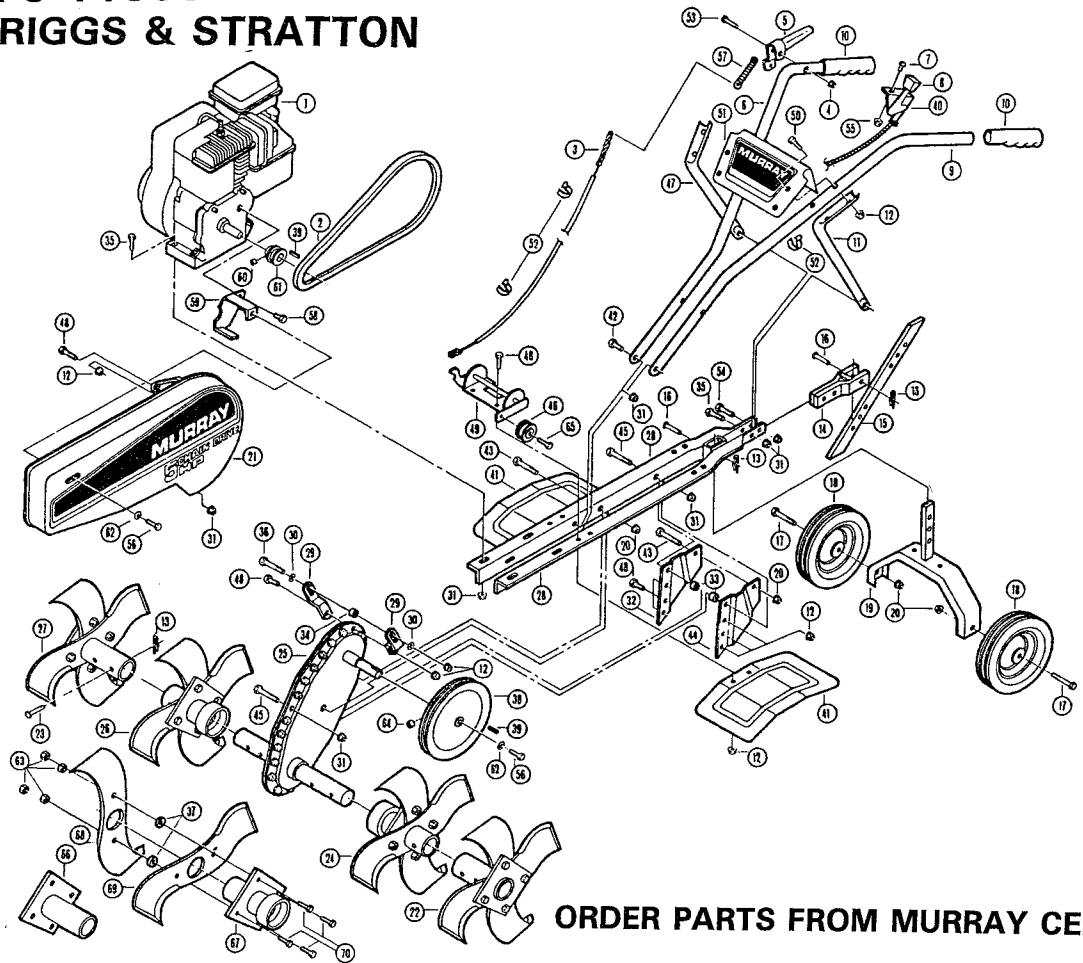


# MODEL 9-11500 5 HP BRIGGS & STRATTON



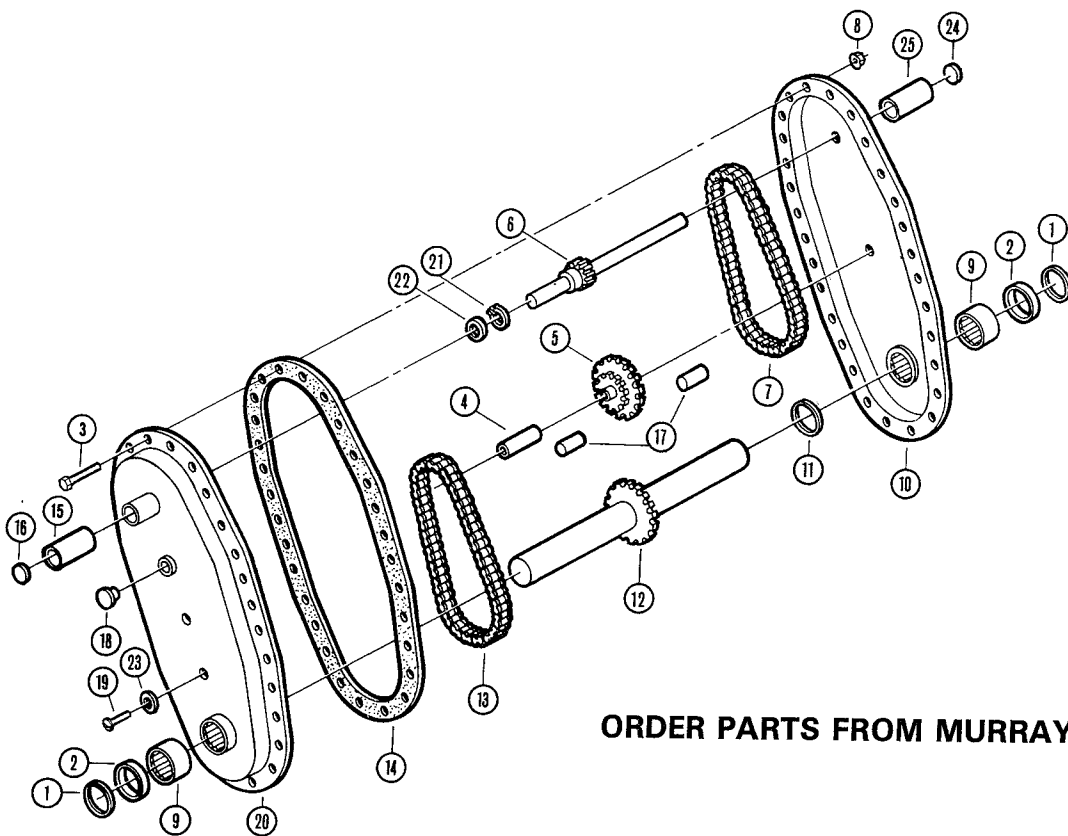
**ORDER PARTS FROM MURRAY CEI**

REF. NO.	PART NO.	DESCRIPTION	QTY. REQ.	REF. NO.	PART NO.	DESCRIPTION	QTY. REC.
1	PT/91038/00	B & S Engine *	1	36	PT/01388/00	1/4-20 x 3/4 HH C S	1
2	PT/01244/00	V-Belt	1	37	PT/11763/00	Spacer	8
3	PT/02132/00	Clutch Cable (Short)	1				
4	PT/02124/00	Acorn Nut 10-24 (PLTD)	1	38	AS/01414/00	1 3/8 I.D. x 3/4 O.D. x 3/16 L	1
5	AS/01440/00	Clutch Control Lever	1	39	PT/00921/00	Pulley 10"	2
6	AS/00279/00	R. H. Handle	1	40	AS/01465/00	3/16 x 3/16 x 1/2 Key	1
7	PT/02128/00	Truss Head Mach. SCR.	2	41	AS/01482/00	Throttle Control	1
		10-32 x 3/4		42	PT/03366/00	Tine Shield	2
8	PT/01466/00	Throttle Control Knob	1	43	PT/01153/00	3/16-18 x 3/4 FL HD C S	2
9	AS/00278/00	L. H. Handle	1	44	AS/01402/00	3/16-20 x 2 1/2 HH C S	2
10	PT/01441/00	Handle Grip 1"	2	45	PT/02130/00	L.H. Transmission Support	1
11	AS/01438/00	L.H. Handle Brace	1	46	PT/01428/00	3/16-18 x 2 3/4 HH C S	2
12	PT/00171/00	1/2-20 Flange Locknut	14	47	AS/01457/00	Belt Idler Pulley	1
13	PT/01443/00	#3 Hairpin Cotter	6	48	PT/00126/00	R.H. Handle Brace	9
14	AS/01463/00	Depth Bar Holder	1	49	AS/01452/00	1/4-20 x 3/4 FL HD C S	1
15	AS/01404A/00	Depth Bar	1	50	PT/00123/00	Idler Clutch Arm Assembly	1
16	PT/01445/00	Pivot Pin 3/8 x 1 1/2	2	51	AS/01462/00	1/4-20 x 1 1/2 FL HD CS	4
17	PT/01446/00	HX HD Shoulder Bolt	2	52	PT/00837/00	Handle Plate (Large)	1
		3/16-16 x 2 1/4		53	PT/00821/00	Cable Clip 1"	3
18	PT/03391/00	Wheel 10" x 1.75	2				
19	AS/01401/00	Wheel Yoke Assembly	1	54	PT/0014/00	Truss Head Mach. SCR	1
20	PT/00320A/00	3/16-16 Flange Locknut	4	55	PT/02129/00	10-24 x 1 1/2	1
21	AS/01467AA/00	Belt Guard (Large Notch)	1	56	PT/00115/00	3/16-18 x 2" HH C S	2
22	AS/01430/00	L.H. Outer Tine Assembly	1	57	PT/00280/00	1/2-20 x 1/2 W/ 3/4 FL HD C S	2
23	PT/01444/00	Pivot Pin 3/8 x 2	4	58	PT/01455/00	Clutch Spring	1
24	AS/01431/00	L.H. Inner Tine Assembly	1	59	AS/01454/00	1/2-20 x 3/4 HH C S	1
25	AS/01405-4/00	Transmission	1	60	PT/01318/00	Belt Retainer	1
26	AS/01433/00	R.H. Inner Tine Assembly	1	61	PT/01415/00	3/16-18 x 1/4 Set Screw	1
27	AS/01432/00	R.H. Outer Tine Assembly	1	62	PT/01389/00	Pulley 2" x 3/4 Bore	1
28	AS/01400A/00	Engine Base & Frame Assembly	1	63	PT/02163A/00	1/2" Flat Washer 1" O.D.	2
29	PT/00428/00	Handle Adjustment Bracket	2	64	PT/11532/00	3/16-16 Center Locknut	16
30	PT/00428/00	1/4" Flat Washer	2	65	PT/11532/00	3/16-24 x 1/4 Set Screw	1
31	PT/01353/00	3/16-18 Flange Locknut	11	66	PT/80153/00	3/16-16 x 1 FL HD C S	2
32	AS/01403/00	R.H. Transmission Support	1	67	AS/01449/00	Outside Tine Hub Ass'y	1
33	AS/01475/00	Spacer 355 I.D. x 3/8 L	2	68	AS/01447/00	Inside Tine Hub Ass'y	2
34	AS/01335/00	Spacer	1	69	PT/01460/00	L.H. Tine Blade	4
		3/8 O.D. x 3/16 I.D. x 1 1/2 L		70	PT/01459/00	R.H. Tine Blade	4
35	PT/01303/00	3/16-18 1 1/2 FL HD C S	5				16

\* The engine model, type and code numbers are on the engine. All parts to the engine are available from a Briggs & Stratton Authorized Service Center. See "Engines, Gasoline" or "Gasoline Engines" in the yellow pages of the telephone directory.

# TRANSMISSION ASSEMBLY

9-11500



REF. NO.	PART NO.	DESCRIPTION	QTY. REQ.
1	PT/01456/00	Felt Washer	2
2	PT/01423/00	Oil Seal 1 1/4"	2
3	PT/00115/00	1/4-20 x 1/2 W/ 3/8 FL HD C S	21
4	PT/01410/00	Inner Race Brg.	1
5	PT/01408/00	9-36 Tooth Sprocket	1
6	AS/02222-1/00	Pulley Shaft Spkt Ass'y (88)	1
7	PT/01425/00	Chain 35 x 50	1
8	PT/00171/00	1/4-20 Flange Locknut	21
9	PT/01422/00	Needle Brg. 1 1/4	2
10	AS/01417/00	L.H. Transmission Cover	1
11	AS/01407/00	Tine Shaft Spacer	1
12	AS/01406/00	Tine Shaft Spkt. Ass'y	1
13	PT/01424/00	Chain 50 x 40	1
14	PT/01420/00	Gasket	1
15	PT/01419/00	5/8 Oilite Brg	1
16	PT/01421/00	Brg Cap 1 3/16	1
17	PT/01409/00	Needle Bearings	2
18	PT/02269/00	Oil Fill Plug	1
19	PT/02125/00	No. 10 x 3/8 HH SLT SCR	1
20	AS/01418/00	R.H. Transmission Cover	1
21	PT/01412-1/00	5/8 Retaining Ring (88)	1
22	PT/02270/00	5/8 Thrush Washer	1
23	PT/02460/00	No. 10 Sealing Washer	1
24	PT/60015/00	5/8 I.D. Oil Seal	1
25	PT/01419-S/00	5/8 Oilite Brg. (Short)	1

\*NOTE: Replacement transmission covers must be ordered-AS/01417A/00 for left hand, AS/01418A/00 for right hand (bearings and seals are included).