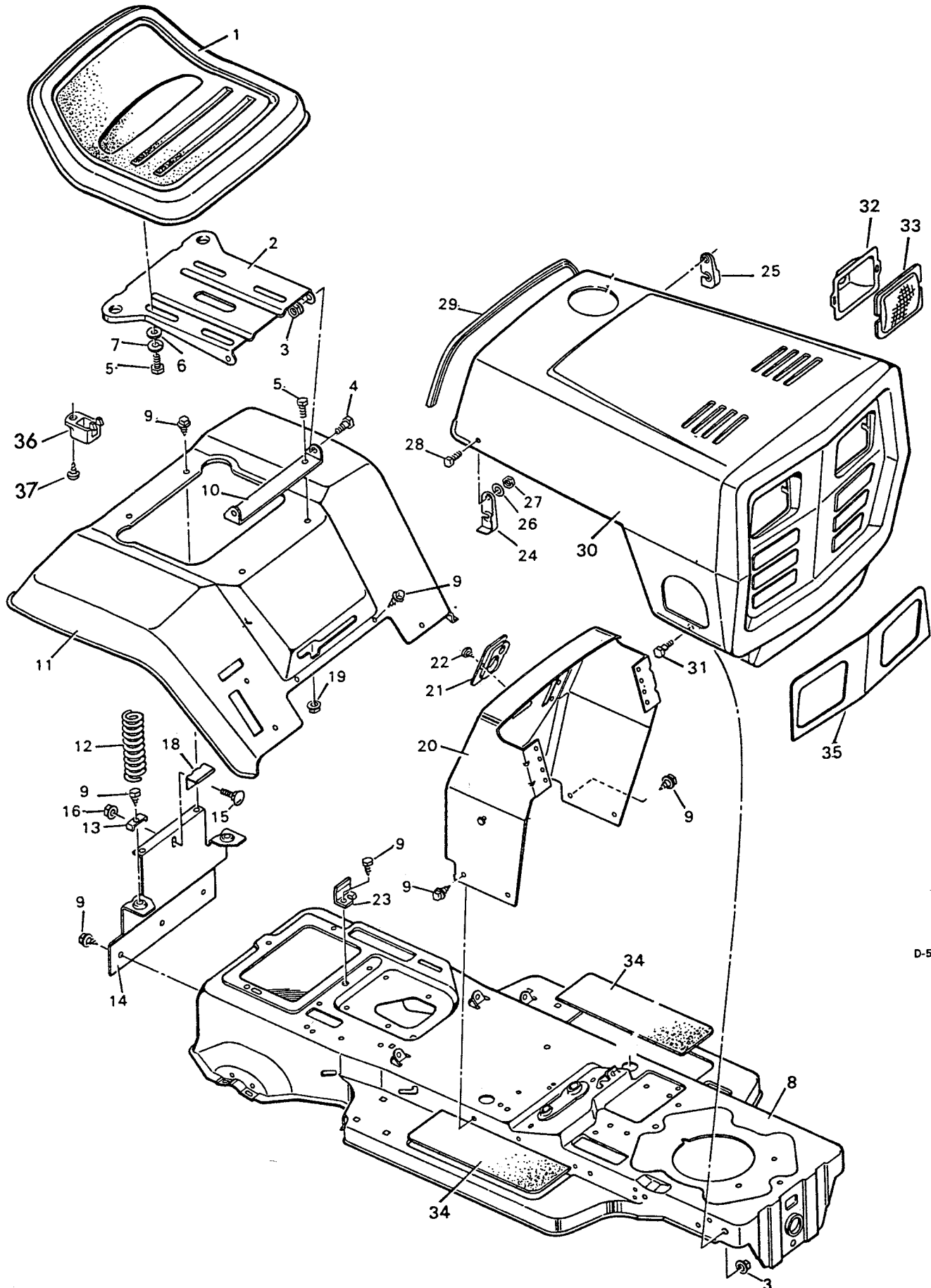


MODEL NO. 8-36566

CHASSIS & HOOD



D-5284-8

CHASSIS & HOOD**MODEL NO. 8-36566**

KEY NO.	DESCRIPTION	PART NO.
1	Seat	91450
2	Support, Seat	91044E
3	Locknut, Flange 3/8''-16	15X84
4	Bolt, Shoulder 3/8''-16X5/8''	9X17
5	Bolt, Hex 5/16''-18X5/8''	1X45
6	Washer	17X47Z
7	Lockwasher	18X16
8	Frame Channel	90001E
9	Screw	26X49
10	Bracket, Seat Pivot	90031E
11	Seat Deck	91387E
12	Spring	164X17E
13	Spring Retainer	90014
14	Support, Seat Deck	90633E
15	Bolt, Carriage	2X53Z
16	Locknut 5/16''-18	15X76
18	Battery Clamp	90632Z
19	Locknut, Flange 5/16''-18	15X88
20	Dashboard Assembly	90737E
21	Bearing, Steering Post	90081
22	Screw	26X186
23	Battery Clip	55149E
24	Latch, Right Hood*	90464Z
25	Latch, Left Hood*	90465Z
26	Washer*	17X17
27	Hex Nut #10-24*	15X81
28	Machine Screw #10-24X1/2''*	4X20Z
29	Edge Trim*	90240
30	Hood & Grille Assembly	91119E
31	Bolt, Shoulder 3/8''-16X7/8''	9X14Z
32	Reflector, Headlight	90009C
33	Lens, Headlight	90082
34	Mat	90148
35	Trim, Headlight	90159C
36	Seat Switch Cover	56062
37	Screw	26X159
--	Assembly Parts Bag	91064
--	Instruction Book	F88702
--	Repair Parts Book	F-88705
--	Decal Left Hood	58X841
--	Decal Right Hood	58X842
--	Decal Grille	58X845
--	Decal Left Seat Deck	43X267
--	Decal Right Seat Deck	43X268

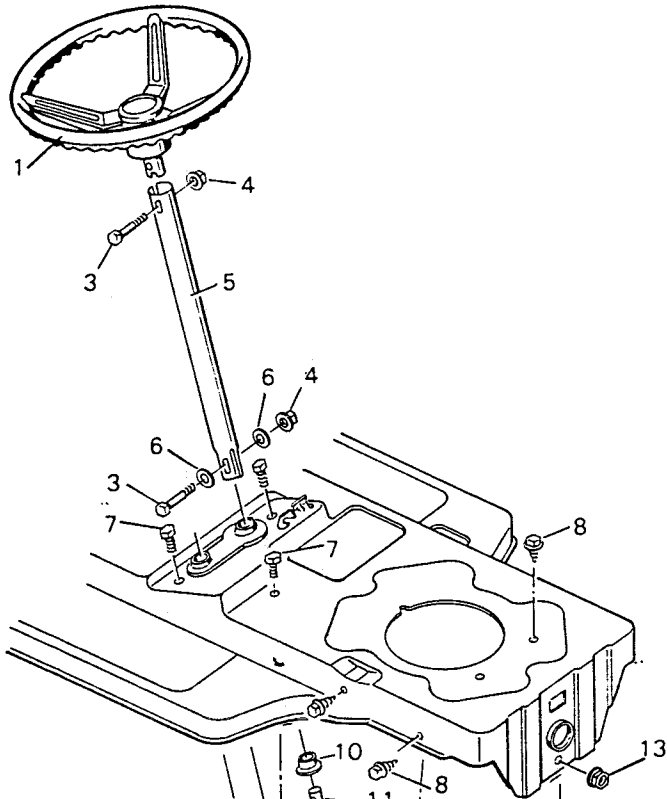
*Part Number included with key no. 30.

—When ordering painted parts see page 3.

MODEL NO. 8-36566

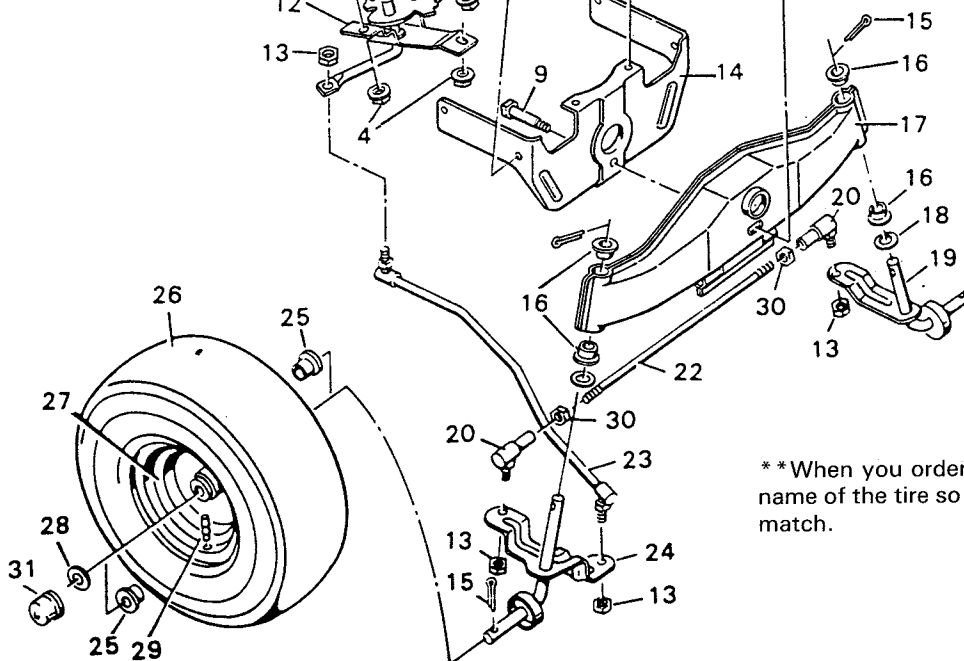
STEERING

D-5250



KEY NO.	DESCRIPTION	PART NO.
1	Steering Wheel	90576
3	Hex Bolt 5/16"-18X1 1/2"	1X102
4	Locknut	15X88
5	Steering Post	91444C
6	Washer	17X47Z
7	Hex Bolt 5/16"-18X5/8"	1X45
8	Screw	26X49
9	Bolt, Hex 3/8"-24X3/4"	1X101
10	Bearing	90035
11	Pinion Gear & Shaft	91445
12	Sector Gear Assembly	90025
13	Locknut, Flange 3/8"-24	15X87
14	Support, Front Axle	90002E
15	Cotter Pin	30X49
16	Bearing	90035
17	Axle Assembly	90034E
18	Washer	17X113
19	Spindle, Left	91461E
20	Ball Joint	21031
22	Tie Rod	21475
23	Drag Link Assembly	90041
24	Spindle, Right	91460E
25	Bearing	91334
26	Tire Only **	24376
--	Inner Tube	407047
27	Wheel Only	24488E
28	Washer, Hub Caps Only	17X115Z
--	Washer, Without Hub Caps	17X83Z
29	Valve Stem & Cap	24373
30	Nut, Hex 3/8"-24	15X61
31	Hub Cap, Optional	21662

D-5564



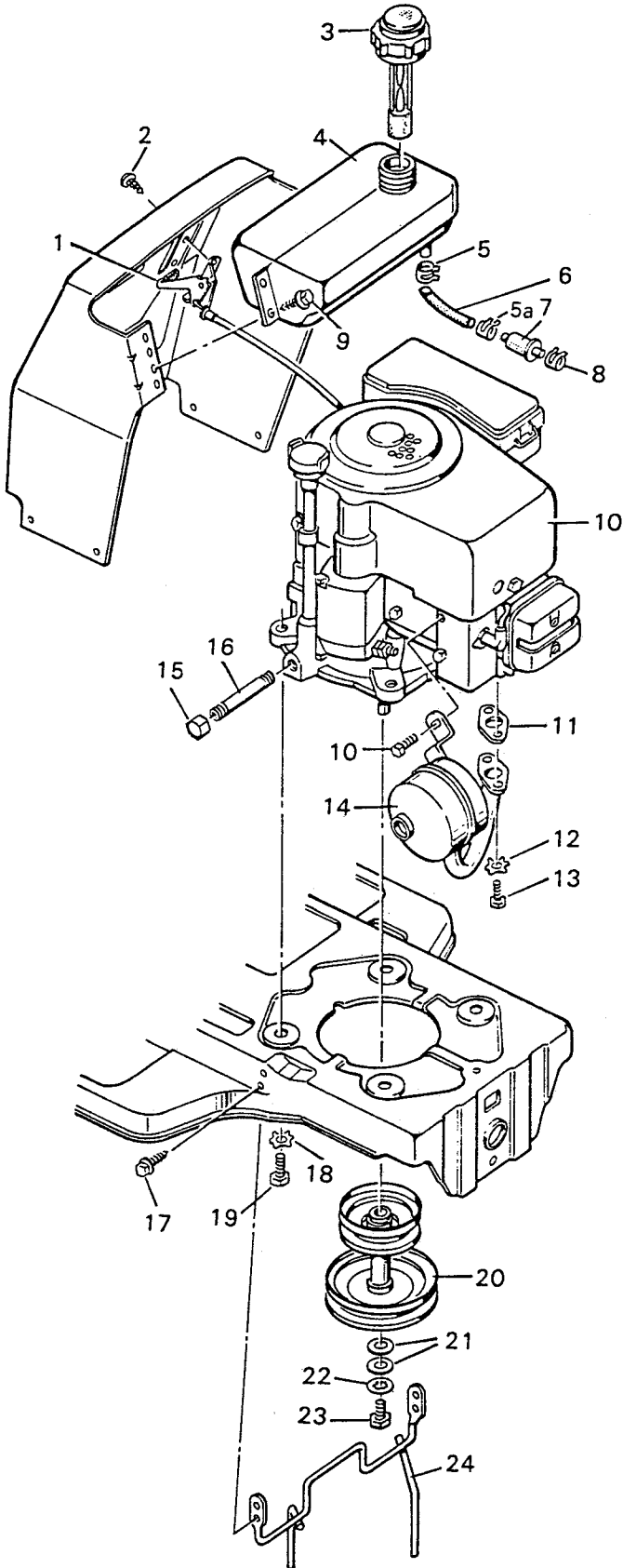
** When you order a tire, make sure to give the brand name of the tire so that the tread pattern on the tire will match.

S-1035

ENGINE MOUNT

MODEL NO. 8-36566

D-5554-1

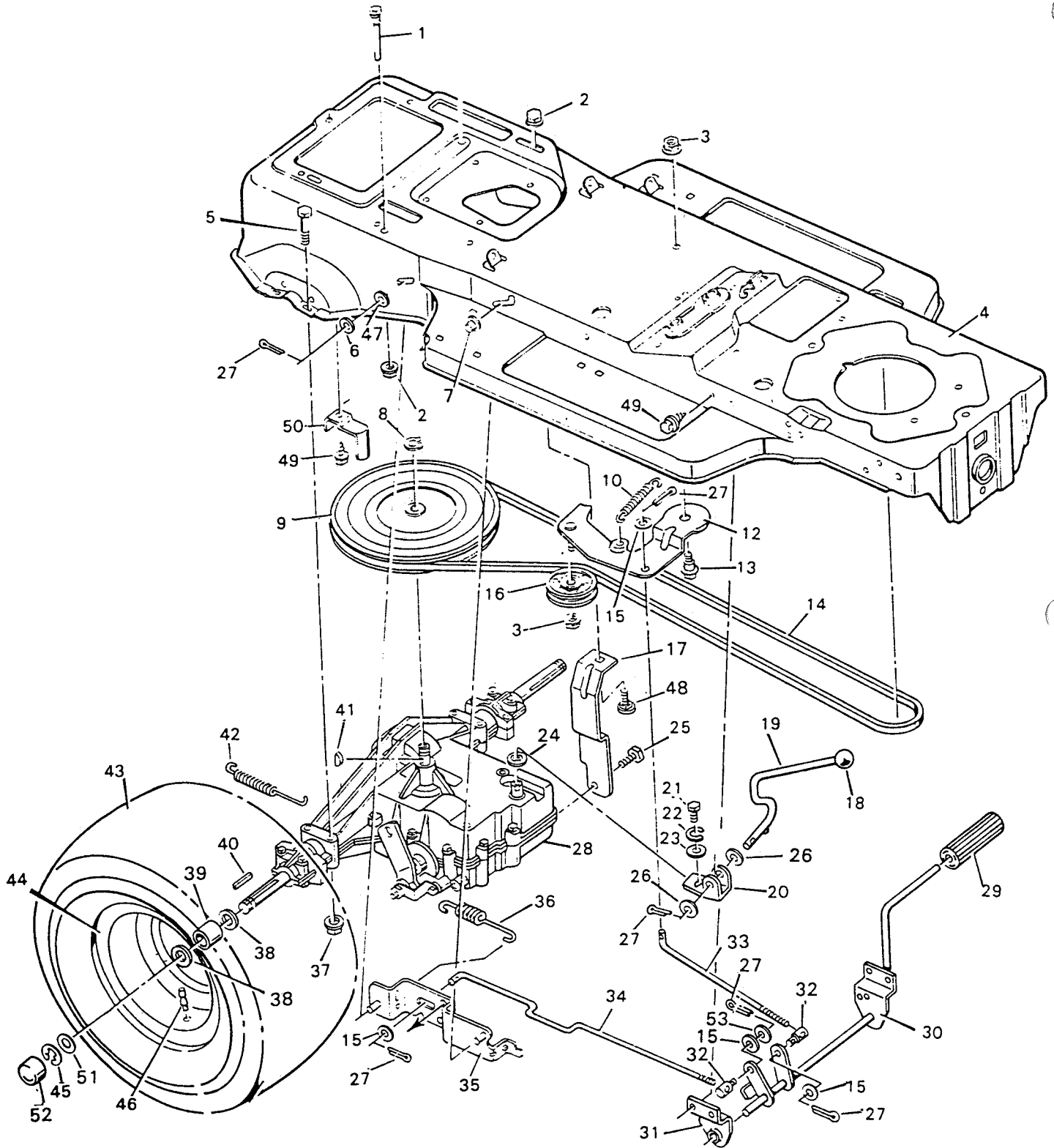


KEY NO.	DESCRIPTION	PART NO.
1	Throttle Control	91104
2	Screw	26X201
3	Fuel Cap	23711
--	Fuel Cap with Gauge	24064
4	Fuel Tank	23300
5	Hose Clamp	91174
5a	Hose Clamp	23713
6	Fuel Line	91022
7	Filter, Fuel	90840
8	Hose Clamp	91053
9	Screw	26X214
10	Engine*	---
11	Gasket	91101
12	Star Washer	19X6
13	Bolt, Hex 5/16"-18X3/4"	1X91
14	Muffler	91100
15	Cap, Oil Drain	21651
16	Oil Drain Extension	24066
17	Screw	25X2
18	Washer	19X8
19	Bolt, Engine Mount	25X6
20	Stack Pulley Assembly	91557Z
21	Washer	17X103
22	Lockwasher	19X35
23	Bolt, Hex 7/16"-20X1"	1X80
24	Belt Guide, Stack Pulley	90276Z

*The engine model number is on the engine. All parts to the engine are available from a Tecumseh Authorized Service Center. See "Engines, Gasoline" or "Gasoline Engines" in the yellow pages of the telephone directory.

MODEL NO. 8-36566

MOTION DRIVE



MOTION DRIVE**MODEL NO. 8-36566**

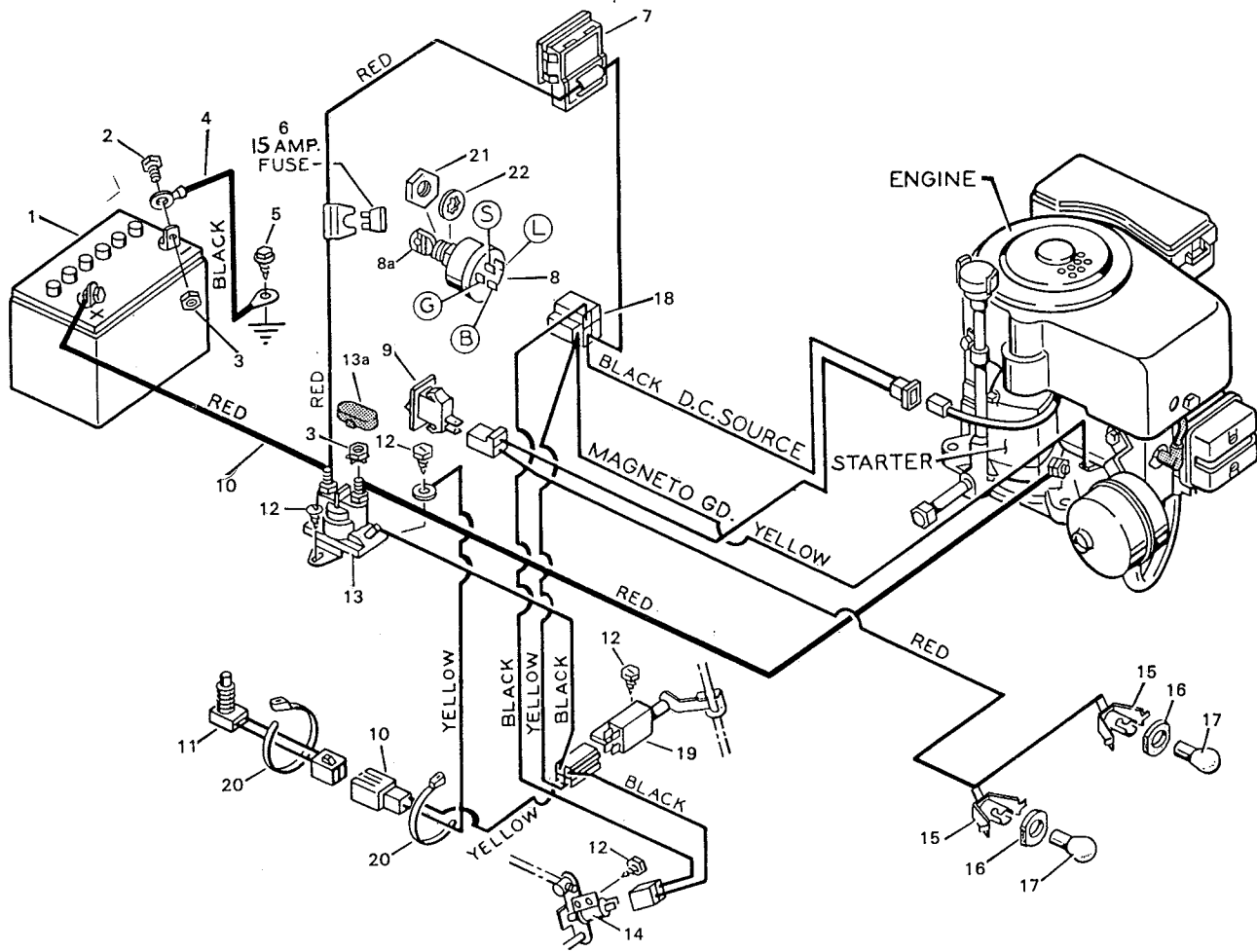
KEY NO.	DESCRIPTION	PART NO.
1	Bolt, Belt Guide	20619
2	Nut, Flange 5/16"-18	15X79Z
3	Locknut, Flange 3/8"-18	15X84
4	Frame Channel	90001E
5	Bolt, Hex 5/16"-18X1 7/8"	1X98
6	Washer	17X116Z
7	Retainer, Parking Brake	28X48
8	Ring, Retainer	11X7
9	Pulley, Drive	91170
10	Spring, Extension	165X39
12	Idler Bracket Assembly	90011Z
13	Bolt, Shoulder 3/8"-16X7/8"	9X12
14	Belt, Drive	37X45
15	Washer	17X53Z
16	Pulley, Idler	91179
17	Support, Transaxle	91388Z
18	Knob, Shift Lever	20739
19	Lever, Shift	91390Z
20	Yoke, Shifter	90812Z
21	Bolt, Hex 1/4"-28X5/8"	1X82
22	Lockwasher	18X32
23	Washer	17X37Z
24	Washer	17X134
25	Screw	26X207
26	Washer	17X102
27	Pin, Cotter	30X20
28	Transaxle, ** (Peerless Model #920-005)	--
29	Clutch and Brake Pedal	21544
30	Lever Assembly	90766
31	Bracket, Support	90013
32	Nut, Adjustable	21920
33	Rod, Clutch	90066Z
34	Rod, Brake	90067Z
35	Brake Link Assembly	90068E
36	Spring, Brake	165X47
37	Locknut, Flange 5/16"-18	15X88
38	Washer	17X160
39	Spacer, Axle	91394
40	Key, Square 3/16"X2"	21553
41	Key, Woodruff #9	20697
42	Spring	165X34
43	Tire Only*	24375
--	Tube Only	407049
44	Wheel Only	24351E
45	E-Ring	11X3
46	Valve Stem and Cap	24373
47	Washer	17X47Z
48	Bolt, Carriage 5/16"-18X3/4"	2X53Z
49	Screw	26X49
50	Guide, Belt	90694
51	Washer	17X115
52	Hub Cap-Optional	21662
53	Washer	17X125

*When you order a tire, make sure to give the brand name of the tire so that the tread pattern on the tire will match.

** Parts are available from a Tecumseh Authorized Service Center. See "Engines, Gasoline" or "Gasoline Engines" in the yellow pages of the telephone directory.

MODEL NO. 8-36566

WIRING DIAGRAM

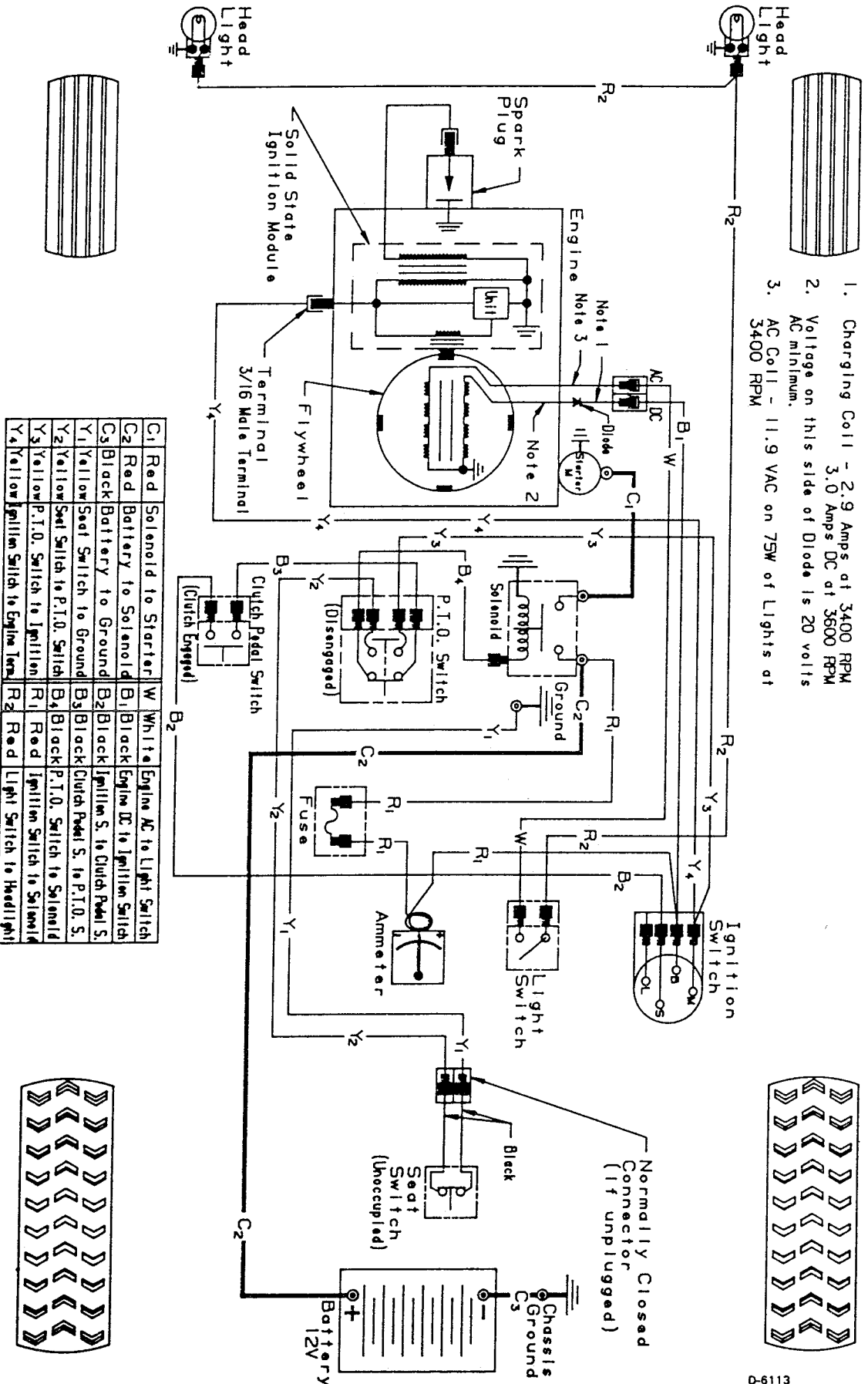


KEY NO.	DESCRIPTION	PART NO.
1	Battery Type U1-9	21075
--	Electrolyte (Battery Acid)	90665
--	Battery Caps	400262
2	Bolt, Hex 1/4"-20X5/8"	1X38
3	Locknut 1/4"-20	15X66
4	Battery Cable, Black	24X9
5	Screw	26X49
6	Fuse	54212
--	Holder, Fuse	407078
7	Ammeter Assembly	90829
8	Ignition Switch	21064
8a	Key Only	20729
9	Light Switch	90647
10	Wire Harness	250X2
11	Switch, Seat	S91031
12	Screw	26X233
13	Solenoid	24285
13a	Cover, Solenoid	90565
14	Switch, Limit	24273
15	Light Socket Assembly	90155
16	Washer, Light Socket	90228
17	Headlight Bulb	90084
18	Wiring Harness	250X1
19	Switch, PTO	91299
20	Tie Strap	32618
21	Nut, Hex	15X105
22	Washer, Star	19X40
	Battery Tray	24157

ELECTRICAL SCHEMATIC

MODEL NO. 8-36566

D-6113

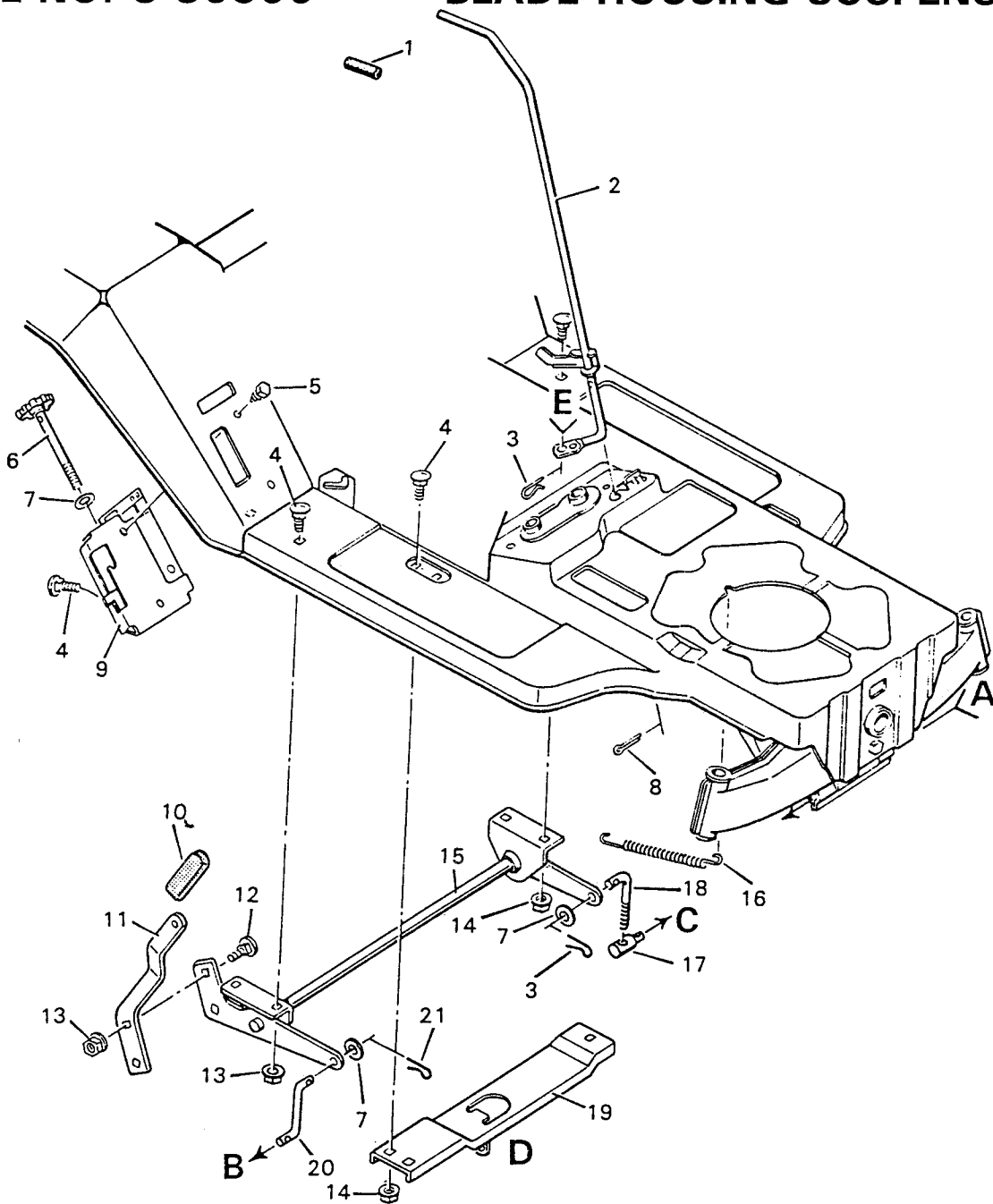


D-6113

S 1035

MODEL NO. 8-36566

BLADE HOUSING SUSPENSION

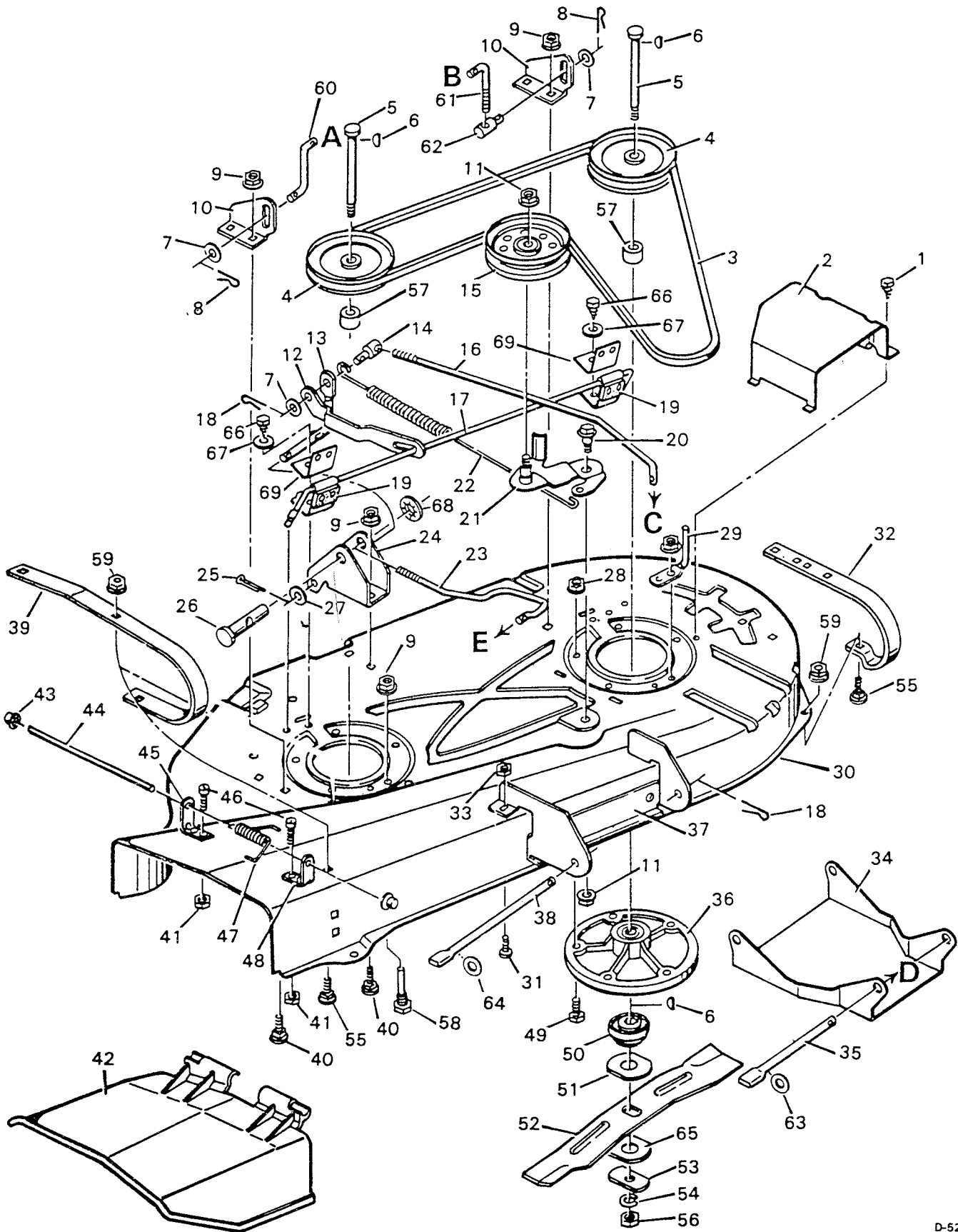


KEY NO.	DESCRIPTION	PART NO.	KEY NO.	DESCRIPTION	PART NO.
1	Grip, Blade Engagement Control	20476	11	Handle	90800E
2	Lever, Blade Engagement Control	90030Z	12	Bolt, Carriage	2X57
3	Hair Pin*	31X4	13	Locknut 3/8"-16	15X84
4	Bolt, Carriage	2X64	14	Nut, Hex 5/16"-18	15X79Z
5	Screw	26X49	15	Lifter Assembly	90825
6	Adjuster Screw Assembly	90078Z	16	Spring	165X32
7	Washer*	17X53Z	17	Nut, Adjustable*	21920
8	Cotter Pin	30X20	18	Rod Adjuster*	90100Z
9	Bracket Assembly, Adjuster	404063	19	Support, Channel	90028
10	Grip, Lifter Handle	91573	20	Rod, Lifter*	90099Z
			21	Hair Pin	31X2

*Parts that have an asterisk * in the description are included with the complete blade housing. See the parts list for the blade housing.

MODEL NO. 8-36566

BLADE HOUSING



D-5252-9

BLADE HOUSING**MODEL NO. 8-36566**

KEY NO.	DESCRIPTION	PART NO.	KEY NO.	DESCRIPTION	PART NO.
1	Screw	26X214	33	Locknut ¼"-20	15X67
2	Pulley Cover	90117E	34	Front Hanger	90106E
3	Belt—Blade Drive	37X43	35	Hanger Rod	90133Z
4	Jackshaft Pulley	23739	36	Jackshaft Housing Assembly	24384
5	Jackshaft	24578	37	Bracket, Front Hanger*	90401
6	Woodruff Key No. 6	20062	38	Hanger Rod	90107Z
7	Washer	17X53Z	39	Right Skid*	90392
8	Hairpin	31X2	40	Carriage Bolt 5/16" 18X5/8"	2X53
9	Flange Nut 5/16"-18*	15X79Z	41	Hex Nut No. 10-24*	15X81
10	Lifter Bracket*	90103	42	Deflector, Blade Housing	21154
11	Flange Locknut 3/8"-16	15X84	43	Push On Cap	28X23
12	Brake Bar	90121Z	44	Deflector Rod	21198Z
13	Pivot Lever	90113Z	45	Rear Deflector Bracket*	21187
14	Adjustable Nut	90115	46	Machine Screw No. 10-24X5/8"	4X21
15	Idler Pulley	90118	47	Torsional Spring	166X4
16	Blade Control Rod	90114Z	48	Front Deflector Bracket	21186
17	Blade Brake Rod	90122Z	49	Hex Bolt 5/16" 18X1"	1X84
18	Hair Pin	31X4	50	Blade Adapter	54211
19	Spring Assembly, Blade Brake	90124	51	Blade Washer	21673Z
20	Shoulder Bolt 3/8"-16X7/8"	9X12	52	Blade (2 required)	20930HT
21	Idler Bracket Assembly	90110Z	53	Washer	20663Z
22	Spring	165X33	54	Lockwasher	18X27
23	Link Rod	90108Z	55	Carriage Bolt*	2X39
24	Rear Hanger Bracket*	90104	56	Hex Nut-Blade Mount ½"-20	15X72
25	Cotter Pin	30X20	57	Jackshaft Spacer	24533Z
26	Adjuster Bar	90907	58	Bolt, Belt Guide	20619
27	Washer	17X102	59	Hex Nut	15X82
28	Flange Locknut 5/16"-18	15X88	60	Lifter Rod	90099Z
29	Belt Guide	90120Z	61	Adjuster Rod	90100Z
30	Blade Housing	91089E	62	Adjustable Nut	21920
	Complete Blade Housing Ass'y +	407918	63	Washer	17X122Z
31	Machine Screw ¼"-20X½"	4X24	64	Washer	17X57
32	Left Skid*	90353E	65	Washer, Under Blade	24614Z
			66	Screw	26X195
			67	Washer	18X32
			68	Push Nut	28X54
			69	Spring Helper	91206

*These parts are included with key no. 30.

+This part number includes key numbers 1 to 69.