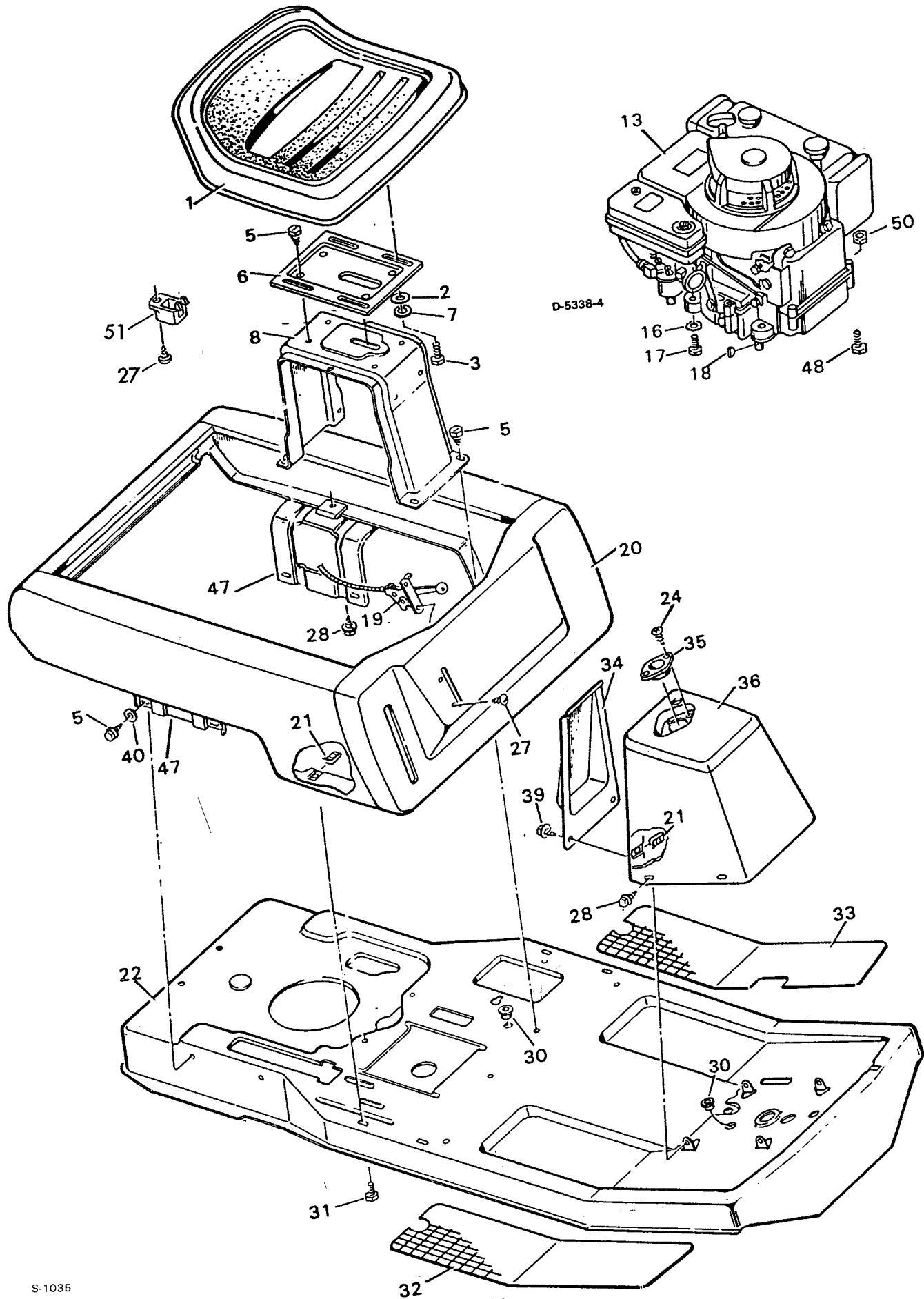


MODEL NO. 8-25501

FRAME & BODY



FRAME & BODY**MODEL NO. 8-25501**

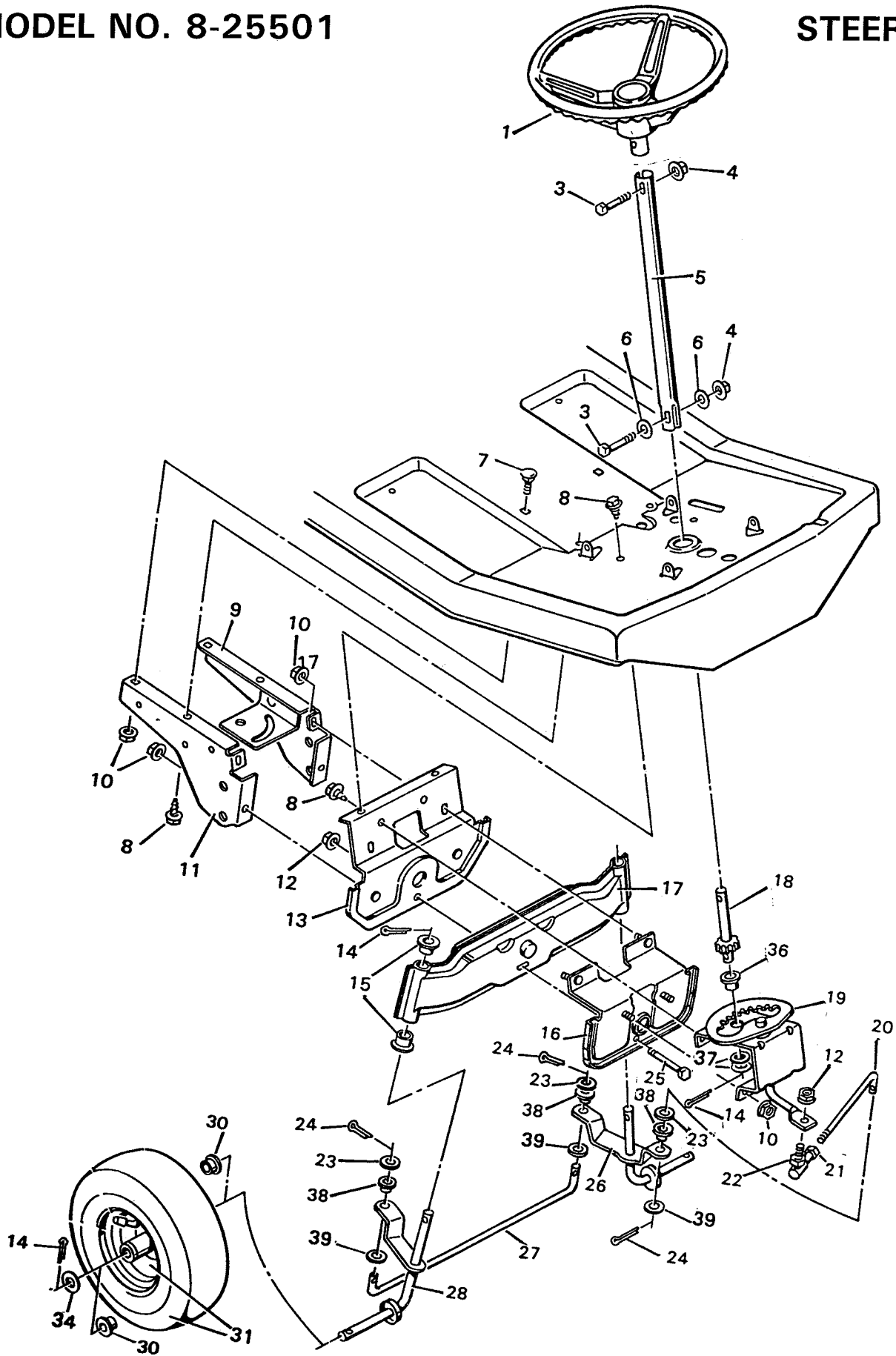
KEY NO.	DESCRIPTION	PART NO.
1	Seat	91446
2	Washer	17X47Z
3	Bolt, Hex	1X45
5	Screw	26x49
6	Bracket, Seat	55770
7	Washer	18X16
8	Seat Support	55741
13	Engine*	
16	Washer, Shakeproof	19x8
17	Bolt, Engine Mount	25X6
18	Woodruff Key #6	20062
19	Control & Cable	55331PA
20	Rear Body Assembly, without light	55679
21	Nut, Tinnerman 1/4''-20	28x18
22	Frame Channel	55940
24	Screw	26X201
27	Screw, Tapping	26x159
28	Screw, Tapping	26x213
30	Bushing	21268
31	Bolt, Hex 1/4''-20x5/8''	6x74
32	Mat, Running Board (R.H.)	55102
33	Mat, Running Board (L.H.)	55103
34	Console Plate	55023
35	Bearing, Steering Post	56022
36	Console Assembly, without light	55931
39	Screw, Machine 1/4''-20x1/2''	4x24
40	Washer	19x6
43	Nut	15X88
47	Rear Body Support	55017Z
48	Screw	1X74
50	Locknut, Stover	15x90Z
51	Seat Switch Cover	56062
	Parts List	F-88501
	Instruction Book	F-88500
	Parts Bag	055926
	Decal Console Murray	58X939
	Decal-Console 5HP-25LH	43X277
	Decal-Console 5HP-25RH	43X278
	Decal Rear Body 5HP-25RH	58x852
	Decal Rear Body 5HP-25LH	58x853

+ NOTE: The engine model, type, and code numbers are on the engine. All parts for the engine are available from a Briggs & Stratton Authorized Service Center. See "Engines, Gasoline" or "Gasoline Engines" in the yellow pages of the telephone directory.

—When ordering painted parts see page 3.

MODEL NO. 8-25501

STEERING



STEERING**MODEL NO. 8-25501**

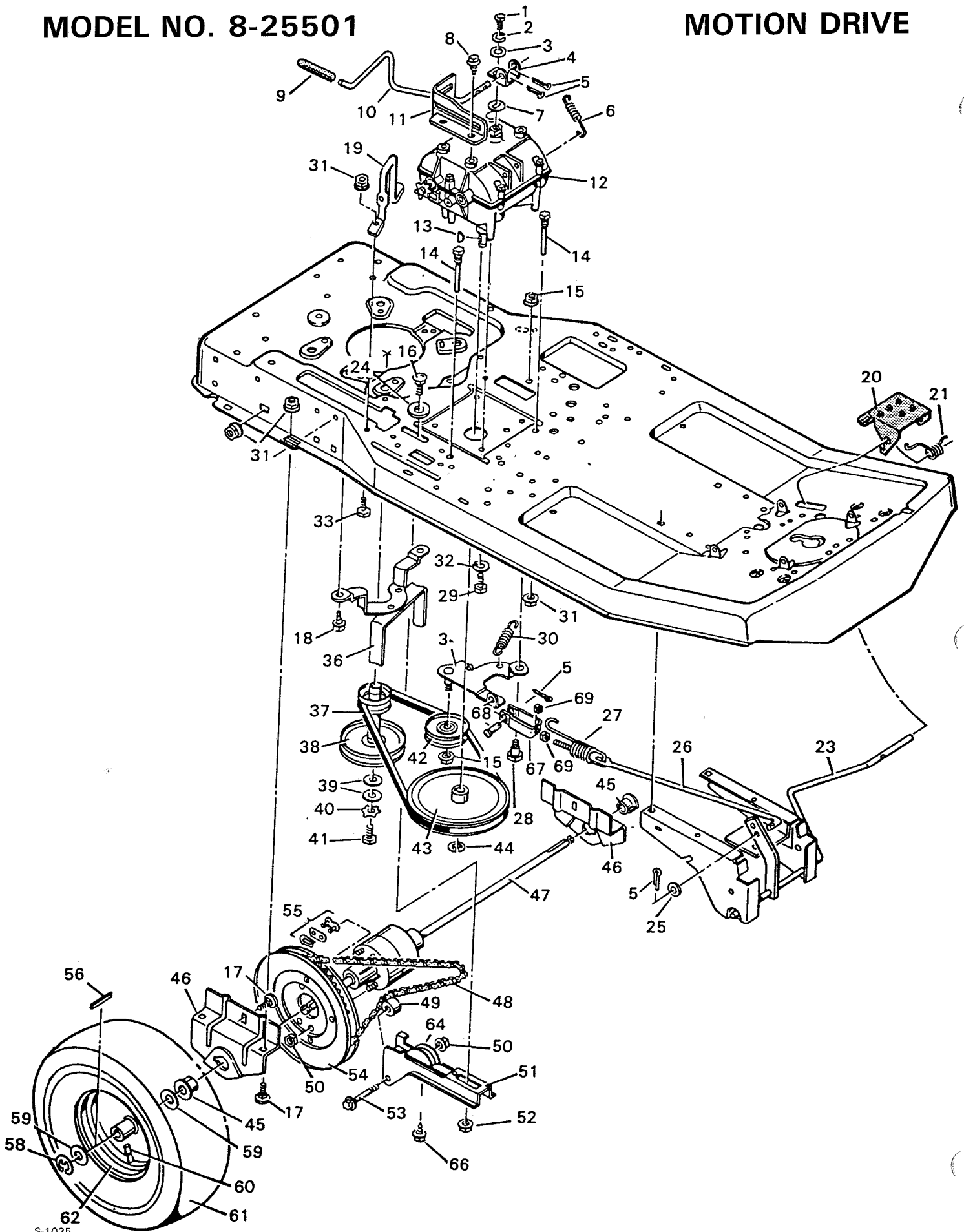
KEY NO.	DESCRIPTION	PART NO.
1	Steering Wheel	90576
3	Hex Bolt 5/16''-18x1 1/2''	1X102
4	Locknut, Flange 5/16''-13	15X88
5	Steering Post	91444C
6	Washer	17X47Z
7	Carriage Bolt 5/16''-18X5/8''	2X64
8	Screw, Tapping	26X49
9	Suspension Plate, Left	55385
10	Hex Nut, Flange	15X79Z
11	Suspension Plate, Right	56023
12	Locknut, Flange 3/8''-24	15X87Z
13	Front Axle Support Assembly	55937
14	Cotter Pin	30X49
15	Spindle Bearing	55003
16	Front Axle Hanger Assy.	55655
17	Front Axle Assembly	55024
18	Pinion Gear	56057
19	Sector Assembly	55746
20	Drag Link	55046
21	Hex Nut 3/8''-24	15X61Z
22	Steering Ball Joint	21031
23	Washer	17X53Z
24	Cotter Pin	30X20
25	Hex Bolt 3/8''-24X2 3/8''	1X69
26	Left Spindle Assembly	55381
27	Tie Rod	55026
28	Right Spindle Assembly	55380
30	Bearing*	55598
31	Wheel & Tire Assembly**	54249
34	Washer	24583
36	Bearing	55168
37	Washer	17X100Z
38	Bushing, Nylon	55547
39	Washer	17X161

* Part is included with key no. 31.

**When you order a tire, make sure to give the brand name of the tire so that the tread pattern on the tire will match.

MODEL NO. 8-25501

MOTION DRIVE



S-1035

MOTION DRIVE**MODEL NO. 8-25501**

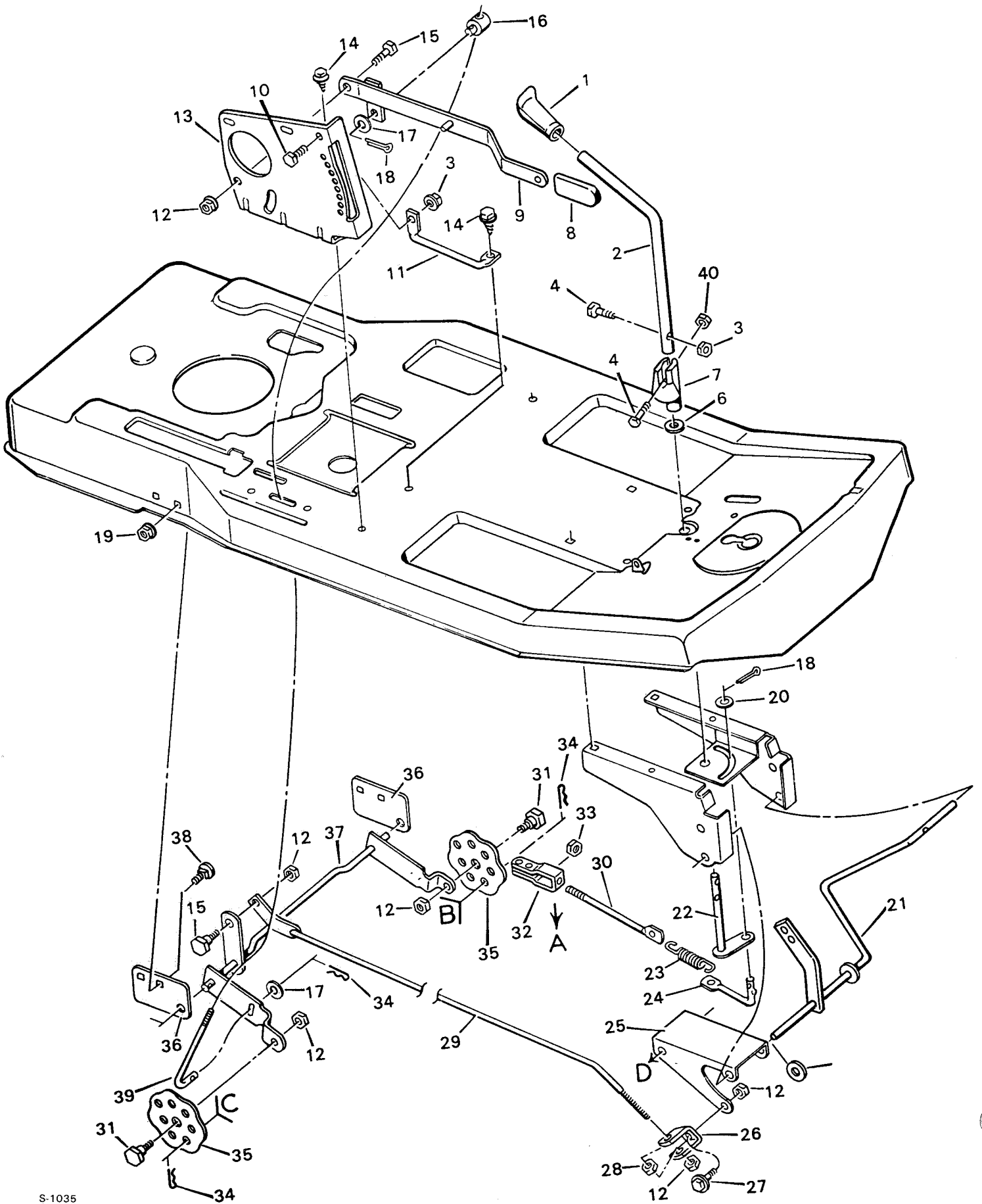
KEY NO.	DESCRIPTION	PART NO.	KEY NO.	DESCRIPTION	PART NO.
1	Hex Bolt ¼''-20X5/8''	1X82	36	Belt Guide Assembly	55053Z
2	Spring Lockwasher	18X32	37	Drive Belt, Traction	37X38
3	Washer	17X37Z	38	Stack Pulley Assembly	55112Z
4	Transmission Yoke	24834Z	39	Washer	10851Z
5	Cotter Pin	30X20	40	Washer	19X39
6	Extension Spring, Brake Return	165X28	41	Hex Bolt 7/16''-20X1''	1X20
7	Washer	17X134	42	Idler Pulley	91178
8	Screw, Tapping	26X207	43	Pulley, Transmission	55101
9	Grip	55321	44	Retainer Ring	11X7
10	Shift Lever	55740Z	45	Axle Bearing, Flange	55597
11	Transmission Gate	55263Z	46	Bracket, Rear Axle	55063
12	Transmission, Peerless 756B		47	Differential, Peerless 100-055	
13	Woodruff Key #9	20697	48	Roller Chain	55114
14	Guide Screw	20619	49	Roller**	90176
15	Locknut, Flange 3/8''-16	15X84	50	Locknut, Flange 5/16''-18**	15X88
16	Carriage Bolt 3/8''-16X¾''	2X56	51	Chain Adjustment Bracket	55194
17	Carriage Bolt 5/16''-18X5/8''	2X53Z	52	Hex Nut, Flange 3/8''-16	15X68Z
18	Screw, Tapping	26X49	53	Shoulder Bolt 5/16''-18X1.72''**	9X22
19	Chain Clamp	23553Z	54	Sprocket & Chain Guard, 50-T	55761
20	Pedal, Clutch/Brake	55395	55	Connecting Link	407059
21	Torsional Spring, Pedal	166X18	56	Key, Square 3/16''	21553
23	Lever Assembly, Brake/Clutch	55656	58	E-Ring	11X3
24	Washer	17X67Z	59	Washer	17X115Z
25	Washer	17X47Z	60	Valve Stem & Cap	24373
26	Rod, Brake/Clutch	55495Z	61	Tire Only*	24379
27	Extension Spring, Brake	165X42	62	Wheel Only	24994E
28	Shoulder Bolt 3/8''-16X7/8''	9X30	64	Guide Block**	23403
29	Hex Bolt 5/16''-18X¾''	1X91	66	Screw, Tapping**	26X214
30	Extension Spring Clutch	165X39	67	Clevis	21915Z
31	Hex Nut, Flange 5/16''-18	15X79Z	68	Clevis Pin	29X99
32	Lockwasher	18X15	69	Hex Nut	15X2
33	Hex Bolt 5/16''-18X5/8''	1X45			
34	Idler Arm Assembly	55067Z			

*NOTE: For replacement parts, always give the name on the side of the tire so that the tire pattern will be the same.

**NOTE: These parts are included with the chain adjusting bracket, key no. 51.

MODEL NO. 8-25501

BLADE HOUSING TOP HALF

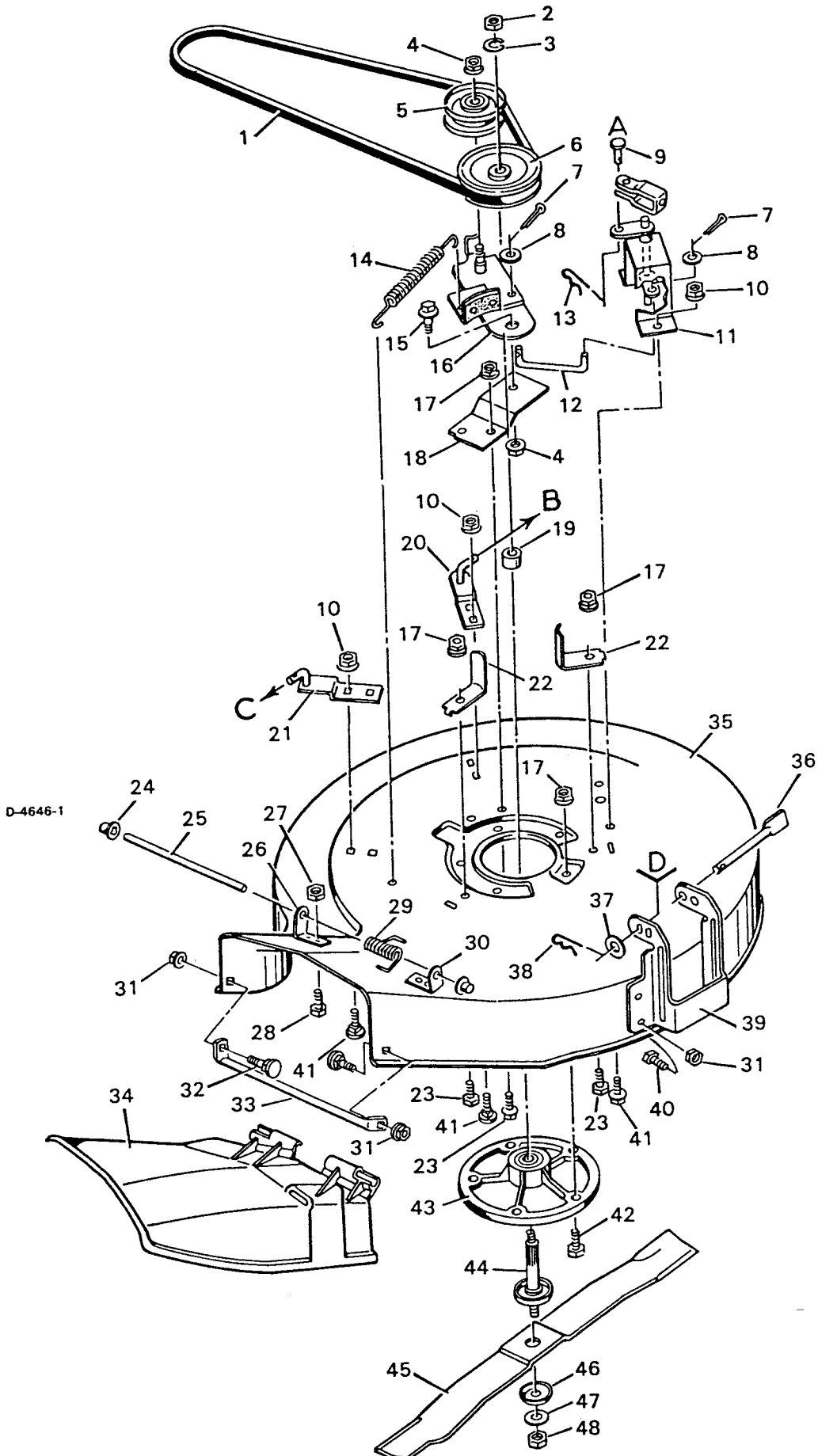


BLADE HOUSING TOP HALF**MODEL NO. 8-25501**

KEY NO.	DESCRIPTION	PART NO.
1	Grip, Blade Control Lever	55449
2	Lever, Blade Control	55927Z
3	Locknut, Flange 1/4"-20	15X89
4	Bolt, Hex 1/4"-20	1X76
5	Washer	17X122Z
6	Washer	17X67Z
7	Cam, PTO	55853
8	Grip, Lifter	91573
9	Lever Assembly, Lifter	56031
10	Bolt, Hex 1/4"-20X5/8"	1X38
11	Strut	55348
12	Locknut, Flange 3/8"-16	15X84
13	Plate, Index	55365
14	Screw	26X49
15	Bolt, Shoulder 3/8"-16	9X9Z
16	Nut, Adjuster	21920
17	Washer	17X53Z
18	Pin, Cotter	30X20
19	Nut, Hex Flange 5/16"-18	15X88
20	Washer	17X48
21	Lever Assembly	55656
22	Rod & Arm Assembly	55929
23	Spring, Extension	165X7
24	Link, Front Deck	55179
25	Bracket, Front Suspension	55139
26	Clevis	55298
27	Bolt, Shoulder 3/8"-16	9X17
28	Nut, Hex Jam 3/8"-16	15X73
29	Rod Assembly	55283
30	Link	55219Z
31	Bolt, Shoulder	9X4
32	Clevis, Adjuster	21915Z
33	Nut, Hex 5/16"-18	15X2
34	Hairpin	31X4
35	Plate, Adjuster	55344
36	Plate, Mounting	55270
37	Rod Assembly, Suspension	55346
38	Bolt, Carriage	2X64
39	Rod, Blade Brake	24839
40	Nut, Locknut	15X66

MODEL NO. 8-25501

BLADE HOUSING



BLADE HOUSING**MODEL NO. 8-25501**

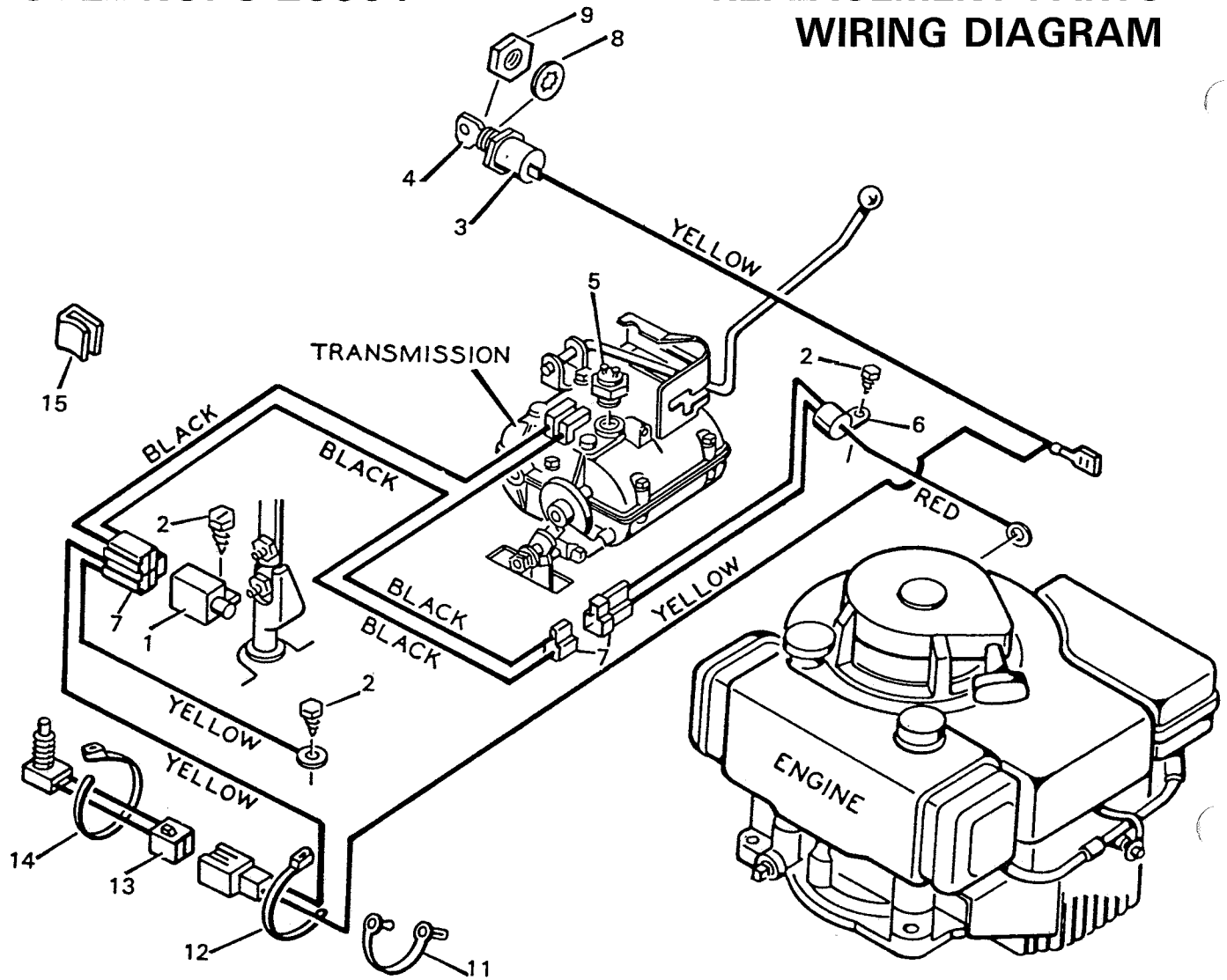
8-25501C
see Bulletin 82
3-1-88

KEY NO.	DESCRIPTION	PART NO.
1	Belt, Blade Drive	37X12
2	Locknut 9/16''-18	15X101
3	Lockwasher	18X33
4	Locknut 3/8''-16	15X84
5	Pulley, Idler	91178
6	Pulley, Splined	55450
7	Pin, Cotter	30X20
8	Washer	17X53Z
9	Pin, Clevis	29X99
10	Locknut 5/16''-18*	15X79
11	Pivot Rod and Arm Assembly*	55071
12	Idler Link	55094Z
13	Pin, Hair	31X6
14	Spring, Extension	165X43
15	Bolt, Shoulder	9X15
16	Blade Idler Assembly	55077
17	Locknut 5/16''-18	15X88
18	Bracket, Idler Support	55095
19	Spacer	55273Z
20	Hanger Assembly, Left Rear*	55340
21	Hanger Assembly, Right Rear*	55339
22	Belt Guide	55096Z
23	Bolt, Hex 5/16''-18X5/8''	1X45
24	Cap, Push On	28X23
25	Rod, Deflector	21197Z
26	Bracket, Rear Deflector*	21181
27	Nut, Hex #10-24*	15X51
28	Screw, Machine #10-24X5/8''	4X21
29	Spring, Torsional	166X4
30	Bracket, Front Deflector*	21186
31	Locknut 1/4''-20*	15X89
32	Bolt, Carriage*	2X39
33	Horn Guard*	20581
34	Chute Deflector	21151
35	Blade Housing Assembly	55372
36	Pin	55142Z
37	Washer	17X67Z
38	Pin, Hair	31X4
39	Bracket, Front*	55302
40	Bolt, Hex 1/4''-20X5/8''*	1X38
41	Bolt, Carriage*	2X53
42	Bolt, Hex 5/16''-18X1''	1X84
43	Mandrel Housing	24384
44	Mandrel, Splined	55445
45	Blade, 25''	55457HT
46	Washer, Belleville	17X155
47	Washer, Hardened	17X154
48	Hex Nut 9/16''-18	15X100
--	Blade Housing, Complete	403207

+ NOTE: These parts are included with the blade housing assembly, key number 35.

MODEL NO. 8-25501

**REPLACEMENT PARTS
WIRING DIAGRAM**



KEY NO.	DESCRIPTION	PART NO.
1	Switch, Limit	91032
2	Screw	26X233
3	Ignition Switch and Key	23665
4	Key Only	20729
5	Limit Switch, Transmission	23479
6	Solid State Module	21361
7	Wiring Harness	250X11
8	Washer, Shakeproof	19X40
9	Nut, Hex	15X105
11	Clamp, Wire	21980
12	Tie, Wire	32618
13	Switch and Plug, Seat Sensor	S91031
14	Tie, Wire Seat	55938
15	Clip, Adhesive	55939