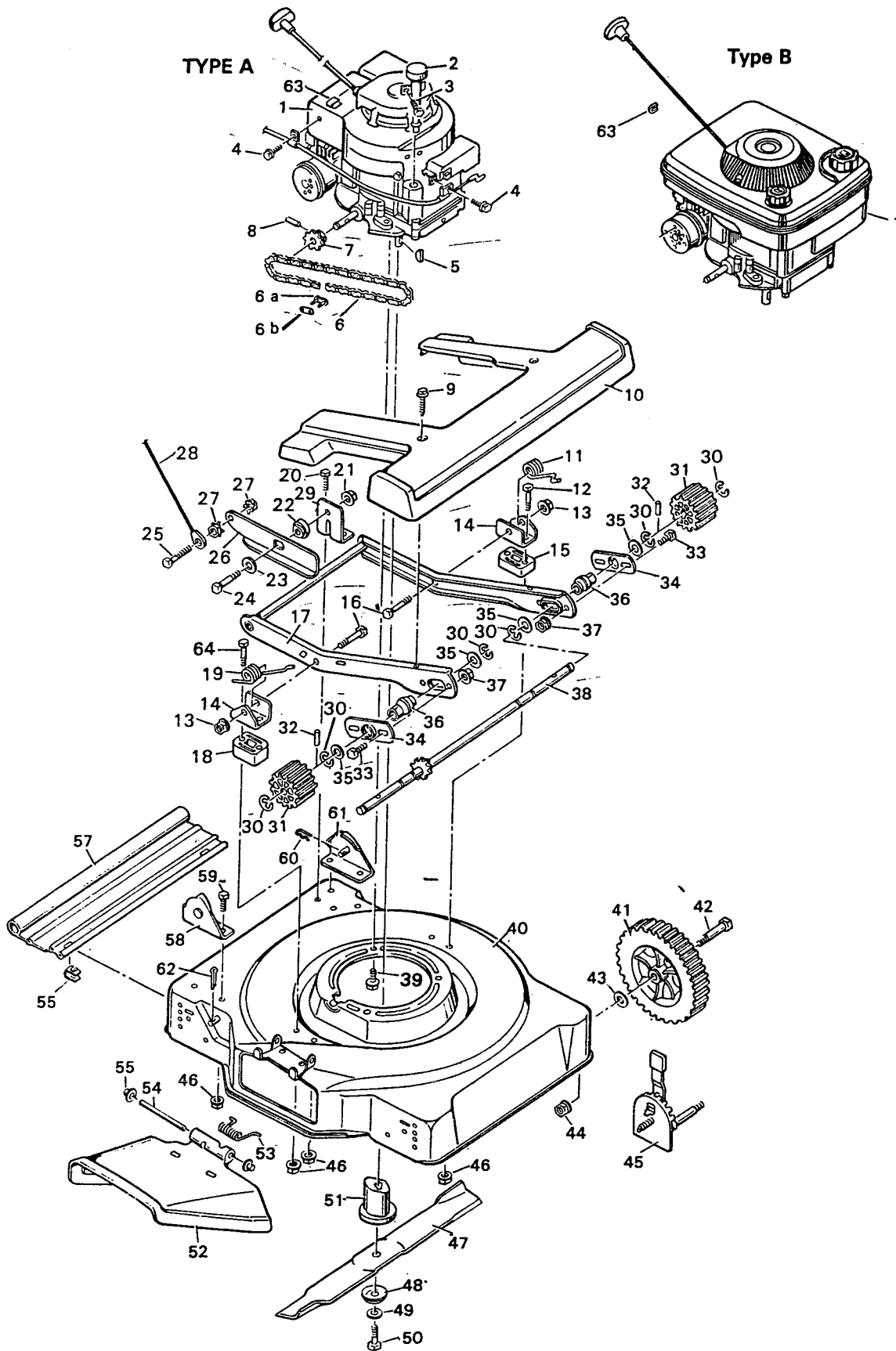


MODEL NO. 8-22651

22" SELF PROPELLED



22" SELF PROPELLED

MODEL NO.8-22651

KEY NO.	DESCRIPTION	PART NO.	KEY NO.	DESCRIPTION	PART NO.
1	Engine*	----	35	Washer	17X100Z
2	Dipstick*	----	36	Bearing	20048
3	Screw*	----	37	Nut, Flange ¼"-20	15X82
4	Screw #10-32 x ½	26X234	38	Drive Shaft & Sprocket Assembly for models w/Height Adjusters	43109Z
5	Woodruff Key	20062		Drive Shaft & Sprocket Assy, for models w/Axle Bolts	43105Z
6	Chain	43127	39	Bolt, Engine	25X6
6a	Master Link	11343	40	Housing, Folding Handle Models	70107
6b	Clip	11344		Housing, Fixed Handle Models	70108
7	Sprocket, Drive	20411	41	Wheel and Tire**	----
8	Pin, Spring	32X64	42	Axle Bolt	9X10Z
9	Screw, Tapping	26X243	43	Washer	10851Z
10	Guard, Pinion	43170	44	Nut, Flange	15X68Z
11	Spring, Left Torsion	166X25	45	Wheel Adjuster***	----
12	Bolt, Hex ¼"-20x1 ¼"	1X90	46	Locknut, Flange	15X82
13	Locknut, Flange 3/8"-16	15X84	47	Blade	20046HT
14	Bracket, Drive Arm	43103Z	48	Washer, Belleville	17X137
15	Spacer, Left	43119	49	Washer	17X124
16	Bolt, Hex 3/8"-16	6X92	50	Bolt	1X69
17	Drive Arm Assembly	43112E701	51	Rotary Blade Adapter	42735
18	Spacer, Right	43120	52	Chute Deflector	42919
19	Spring, Right Torsion	166X24	53	Spring, Torsion	166X5
20	Bolt	1X38	54	Pin, Pivot	215X11Z
21	Nut, Flange Hex	15X68Z	55	Push-On Cap	28X42
22	Bushing	43122	56	Retainer	42743
23	Washer, Nylon	43121	57	Deflector, Rear	42747
24	Bolt, Shoulder 3/8"-16	9X31	58	Bracket, R.H.-Folding Handle	42712
25	Bolt, Hex ¼"-20x1 ¼"	1X128	59	Bolt	1X38
26	Pivot Arm	43106Z	60	Pin, Hair	31X5
27	Locknut	15X66	61	Bracket, L.H.-Folding Handle	42713
28	Cable, Drive-Fixed Handle	43128	62	Cotter Pin	30X35
	Cable, Drive - Folding Handle	43129	63	Stop, Rope-Folding Handle	42189
29	Bracket, Pivot Arm	43102	64	Bolt, Hex ¼"-20x1 ½"	1X71
30	Retainer Ring	11X8	#	Instruction Book & Parts List	F-88404
31	Drive Pinion	20066	#	Decal-Pinion Guard	43X283
32	Spring Pin	32X64	#	Parts Bag	43425
33	Bolt, Hex ¼"-20x5/8"	1X38			
34	Retainer, Bearing	43107Z			

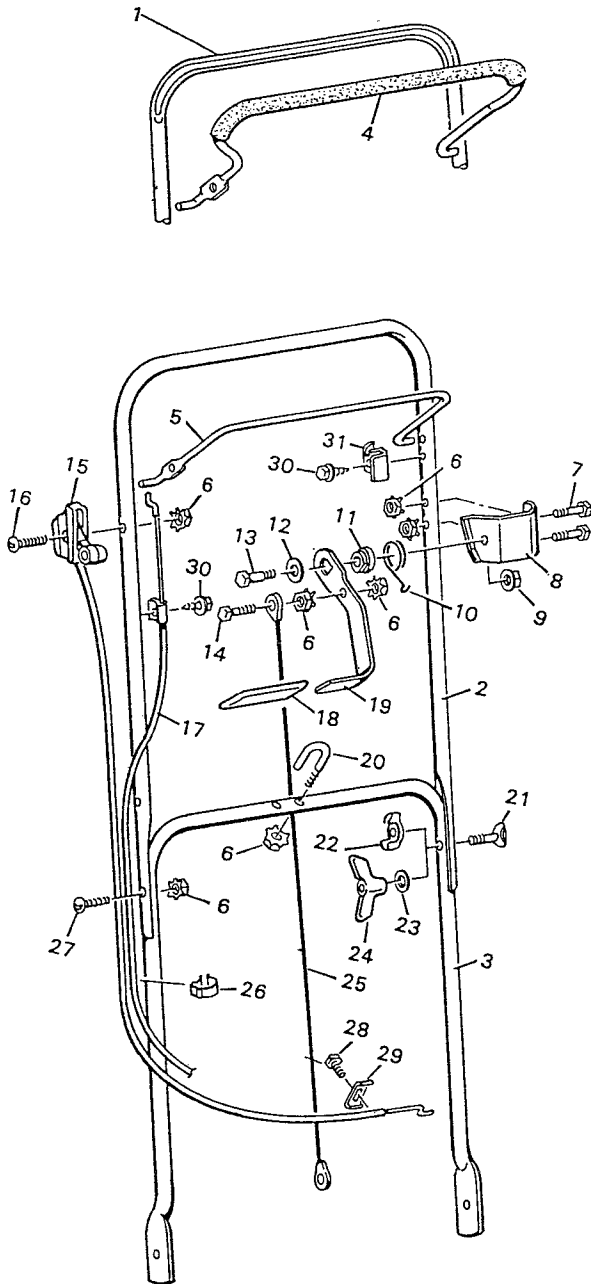
*The engine model, type, and code numbers are on the engine. All parts to the engine are available from a Briggs & Stratton Authorized Service Center. See "Engines, Gasoline" or "Gasoline Engines" in the yellow pages of the telephone directory.

**See the "Wheel And Tire Parts List" page.

***See the "Height Adjuster Parts List" page.

MODEL NO.8-22651

HANDLE PARTS LIST



KEY NO.	DESCRIPTION	PART NO.
1	Handle, Upper - Deluxe	43312C
2	Handle, Upper - Standard	43114C
3	Handle, Lower	42891C
4	Lever, Engine Stop - Deluxe	43304
5	Lever, Engine Stop - Standard	42764C
6	Locknut	15X66
7	Bolt, Hex	1X94
8	Lever Support Assembly	43136
9	Nut, Flange	15X68Z
10	Spring	166X26
11	Bushing	43122
12	Washer, Nylon	43121
13	Bolt, Shoulder	9X31
14	Bolt	1X128
15	Throttle Control, For Type A Engine*	42949
	Throttle Control, For Type B Engine*	42876
16	Bolt	3X105
17	Engine Stop Cable, For Fixed Handle	42569
	Engine Stop Cable, For Folding Handle	42942
18	Grip	43126
19	Lever, Drive	43101E701
20	U Bolt	42896Z
21	Bolt	6X73
22	Wing Nut	14X83
23	Washer	17X47Z
24	Plastic Knob	42027
25	Cable, Drive - Fixed Handle	43128
	Cable, Drive - Folding Handle	43129
26	Clamp, Cable	42950
27	Bolt	3X136Z
28	Bolt, For Type A Engine*	26X181
	Bolt, For Type B Engine*	26X237
29	Clamp, For Type A Engine*	20073
	Clamp, For Type B Engine*	42294
30	Screw	26X220
31	Stop, Lever	42765Z

*Two types of engines are shown on the parts illustration of the mower. Order the repair part for the type of engine on your mower.