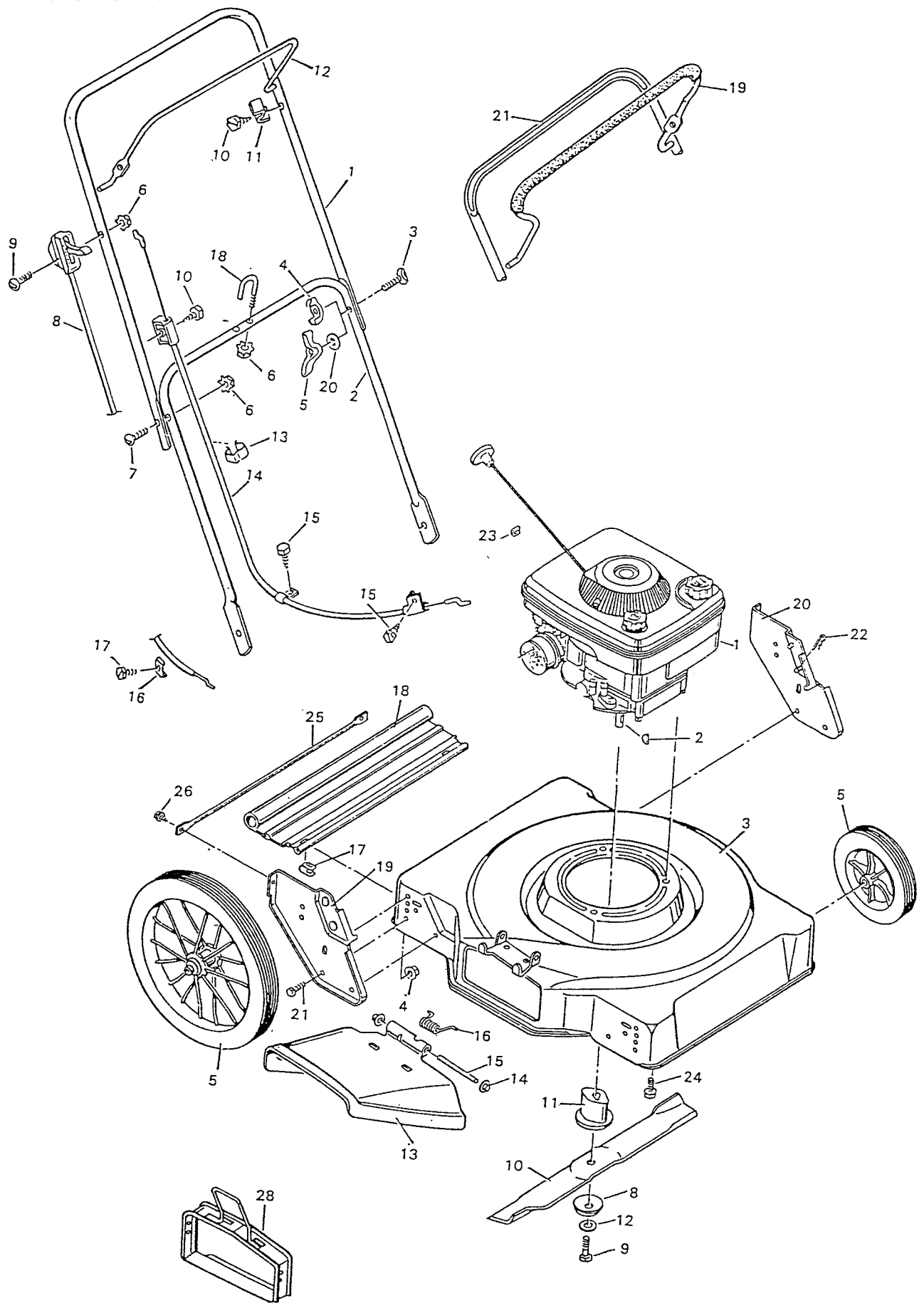


MODEL NO. 8-22541

22" MOWER ILLUSTRATION



22" MOWER PARTS LIST

MODEL NO. 8-22541

POWER PARTS

| KEY NO. | DESCRIPTION | PART NO. |
|---------|--------------------------------|----------|
| 1 | Engine* | ---- |
| 2 | Woodruff Key | 20062 |
| 3 | Housing | 70102 |
| 4 | Nut, Hex | 15X68Z |
| 5 | Wheel and Tire, Front | 43273 |
| -- | Wheel and Tire, Rear | 70106 |
| 8 | Washer, Blade | 17X137 |
| 9 | Bolt, Hex | 1X68 |
| 10 | Blade | 20046HT |
| 11 | Blade Adapter | 42734 |
| 12 | Washer | 17X124 |
| 13 | Deflector, Chute** | 42919 |
| 14 | Puch On Cap** | 28X42 |
| 15 | Pin, Pivot** | 215X11Z |
| 16 | Spring** | 166X5 |
| 17 | Retainer | 42743 |
| 18 | Deflector, Rear** | 43405 |
| 19 | Bracket, Right Wheel | 43398 |
| 20 | Bracket, Left Wheel | 43399 |
| 21 | Bolt, Hex** | 1X85 |
| 22 | Pin, Hair | 31X5 |
| 23 | Stop, Rope | 42189 |
| 24 | Bolt, Engine | 25X6 |
| 25 | Brace | 43404Z |
| 26 | Screw | 25X2 |
| 27 | Height Adjuster*** | ---- |
| 28 | Frame Assembly, Grass Bagger # | 43248Z |
| # | Parts Bag | 43427 |
| # | Parts List & Owner Manual | F-88403 |
| # | Decal Front Deck | |

HANDLE PARTS

| KEY NO. | DESCRIPTION | PART NO. |
|---------|-----------------------------|----------|
| 1 | Handle, Upper-Standard | 42939C |
| 2 | Handle, Lower | 42891C |
| 3 | Bolt | 6X73 |
| 4 | Wing Nut | 14X83 |
| 5 | Knob, Plastic | 42027 |
| 6 | Locknut | 15X66 |
| 7 | Bolt | 3X136Z |
| 8 | Throttle Control | 42877 |
| 9 | Bolt | 3X105 |
| 10 | Screw | 26X220 |
| 11 | Stop, Lever | 42765Z |
| 12 | Lever, Engine Stop-Standard | 42764C |
| 13 | Clamp, Cable | 42950 |
| 14 | Engine Stop Cable | 42943 |
| 15 | Screw | 26X234 |
| 16 | Clamp | 42294 |
| 17 | Bolt | 26X237 |
| 18 | U Bolt | 42896Z |
| 19 | Lever, Engine Stop - Deluxe | 43304 |
| 20 | Washer | 17X47Z |
| 21 | Handle, Upper - Deluxe | 43311C |

* The engine model, type, and code numbers are on the engine. All parts to the engine are available from a Briggs & Stratton Authorized Service Center. See "Engines, Gasoline" or "Gasoline Engines" in the yellow pages of the telephone directory.

**The part is also included with Key No. 3.

***See the "Height Adjuster Parts List" page.

Item 28 to be used with 24065 grass catcher.