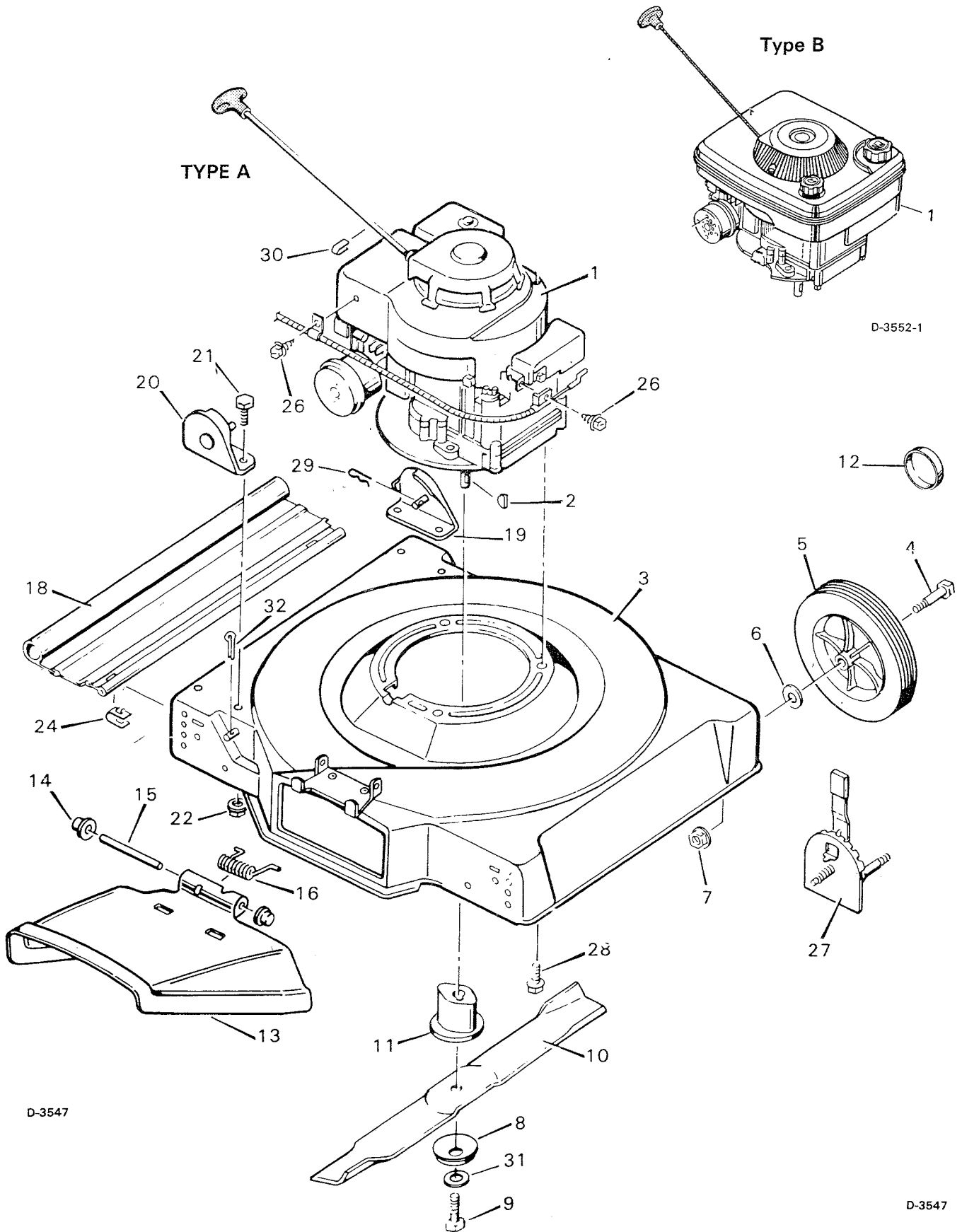


MOWER HOUSING

88-22251



MOWER HOUSING

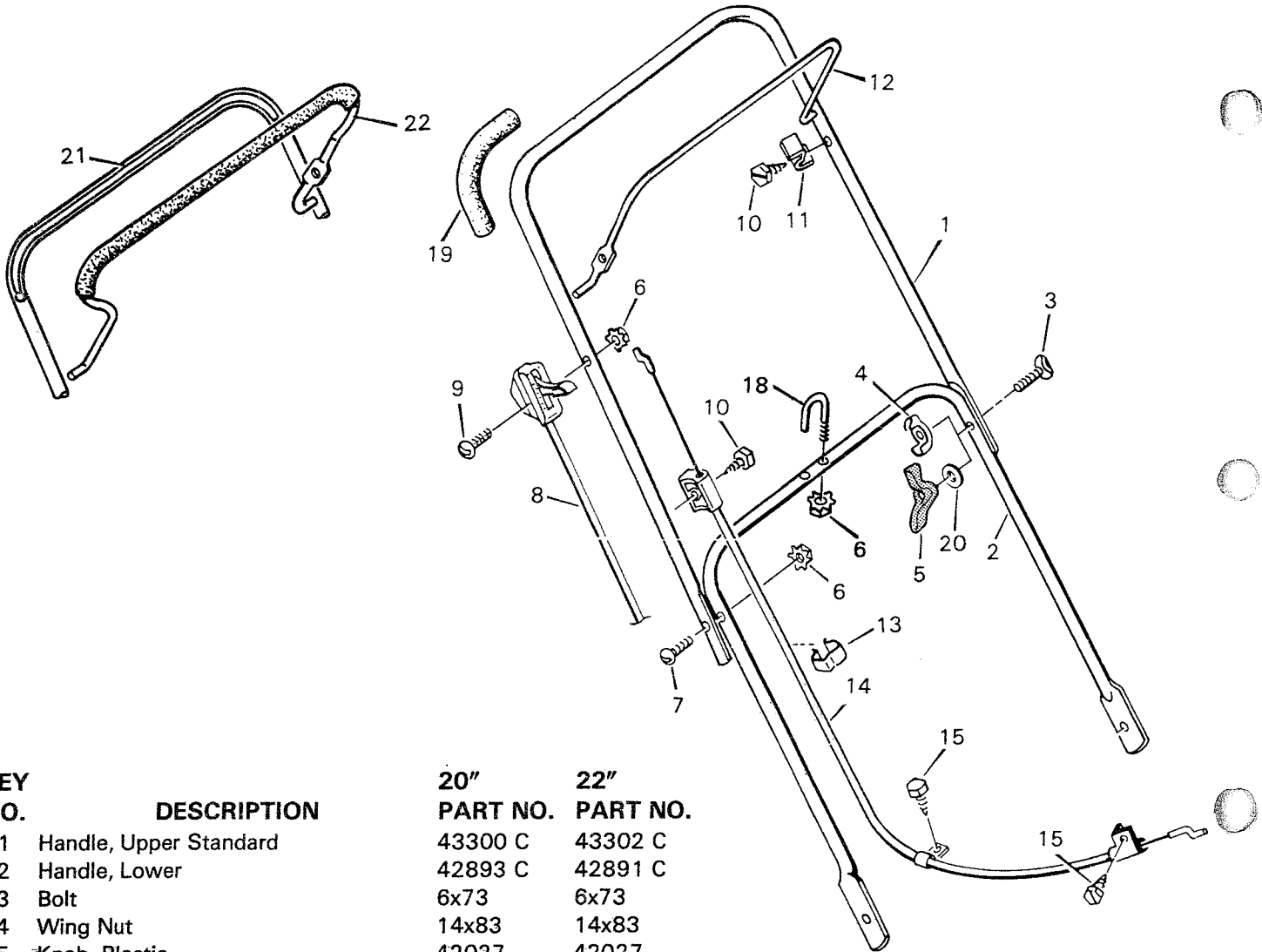
KEY NO.	DESCRIPTION	20" PART NO.	22" PART NO.
1	Engine *	----	----
2	Key, Woodruff	20062	20062
3	Housing, For Folding Handle	----	70101
--	Housing, For Fixed Handle	70100	70102
4	Bolt, Axle	9x10	9x10
5	Wheel and Tire **	----	----
6	Washer	10851 Z	10851 Z
7	Locknut, Flange	15x68 Z	15x68 Z
8	Washer	17x137	17x137
9	Bolt, Hex	1x68	1x68
10	Blade	20045 HT	20046 HT
11	Adapter, Blade	42734	42734
12	Hub Cap, Plastic	20107	20107
13	Chute Deflector	42919	42919
14	Push On Cap	28x42	28x42
15	Pivot Pin	215x11 Z	215x11 Z
16	Spring	166x5	166x5
18	Rear Deflector	42746	42747
19	Bracket, Left Handle	42713	42713
20	Bracket, Right Handle	42712	42712
21	Bolt	1x38	1x38
22	Nut	15x82	15x82
24	Retainer	42743	42743
26	Screw	26x234	26x234
27	Height Adjuster ***	----	----
28	Bolt, Engine	25x6	25x6
29	Pin, Hair	31x5	31x5
30	Stop, Rope	42189	42189
31	Washer	17x124	17x124
32	Pin, Cotter	30x35	30x35

* The engine model, type, and code numbers are on the engine. All parts to the engine are available from a Briggs & Stratton Authorized Service Center. See "Engines, Gasoline" or "Gasoline Engines" in the yellow pages of the telephone directory.

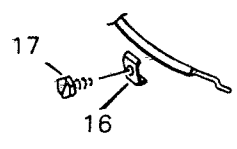
** See the "Wheel And Tire Parts List" page.

*** See the "Height Adjuster Parts List" page.

HANDLE PARTS LIST



KEY NO.	DESCRIPTION	20" PART NO.	22" PART NO.
1	Handle, Upper Standard	43300 C	43302 C
2	Handle, Lower	42893 C	42891 C
3	Bolt	6x73	6x73
4	Wing Nut	14x83	14x83
5	Knob, Plastic	42027	42027
6	Locknut	15x66	15x66
7	Bolt	3x136 Z	3x136 Z
8	Throttle Control, For Folding Handle	42877	42877
—	Throttle Control, For Fixed Handle	42949	42949
9	Bolt	3x105	3x105
10	Screw	26x220	26x220
11	Stop, Lever	42765 Z	42765 Z
12	Engine Stop Lever, Standard	42763 C	42764 C
13	Clamp, Cable	42950	42950
14	Engine Stop Cable, For Folding Handle	42942	42942
—	Engine Stop Cable, For Fixed Handle	42569	42569
15	Bolt	26x234	26x234
16	Clamp, For Type A Engine *	20073	20073
—	Clamp, For Type B Engine *	42294	42294
17	Bolt, For Type A Engine *	26x181	26x181
—	Bolt, For Type B Engine *	26x237	26x237
18	U bolt	42896 Z	42896 Z
19	Grip	42062	42062
20	Washer	17x47 Z	17x47 Z
21	Handle, Upper Deluxe	43307C	43311C
22	Engine Stop Lever, Deluxe	43303	43304

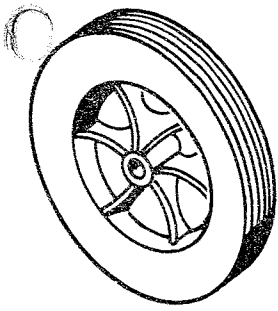


D-3304-3

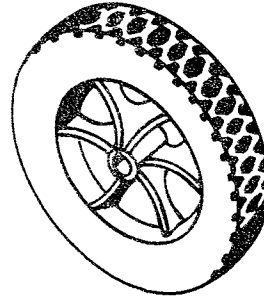
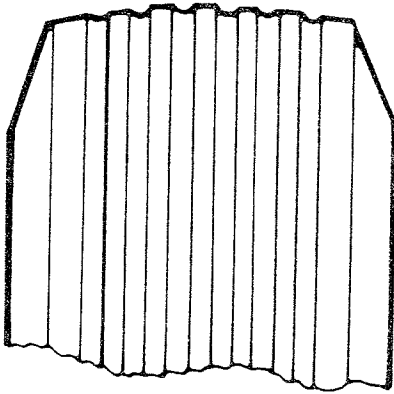
* Two types of engines are shown on the parts illustration of the mower. Order the repair part for the type of engine on your mower.

WHEEL AND TIRE PARTS LIST

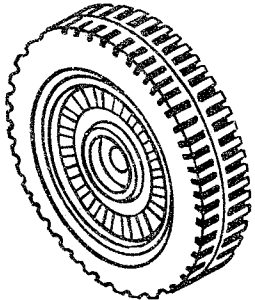
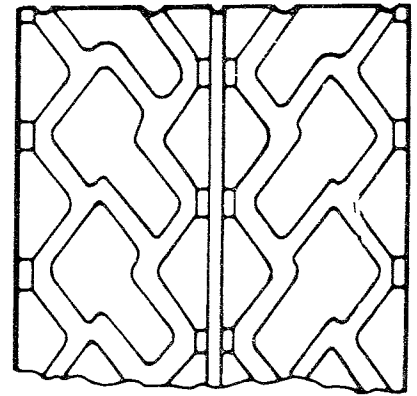
LOOK AT THE TIRE ILLUSTRATIONS. SELECT THE TIRE YOU WANT AND ORDER FROM THE FOLLOWING CHART.



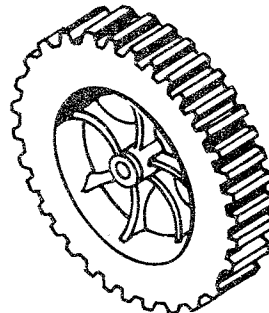
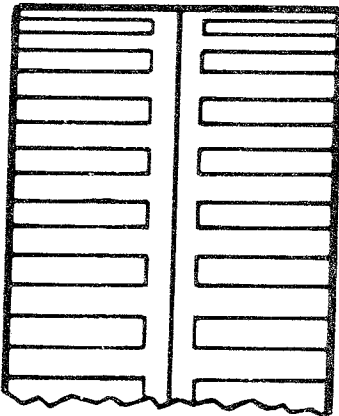
A



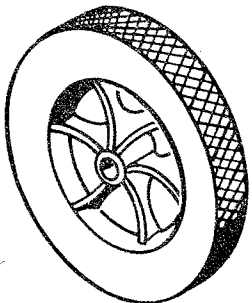
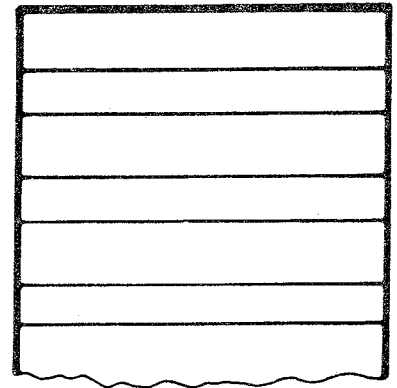
D



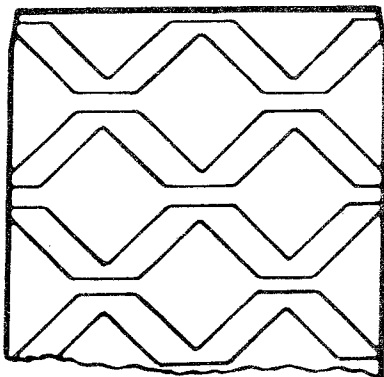
B



E



C



D 3302 1

D 3327 2

KEY
NO.

DESCRIPTION

A

B

C

D

E

1 6 inch Tire with Plastic Wheel

42174

2 7 inch Tire with Plastic Wheel

42013

20270

42172

3 8 inch Tire with Plastic Wheel

20104

20271

42173

20105

4 8 inch Tire with Metal Wheel

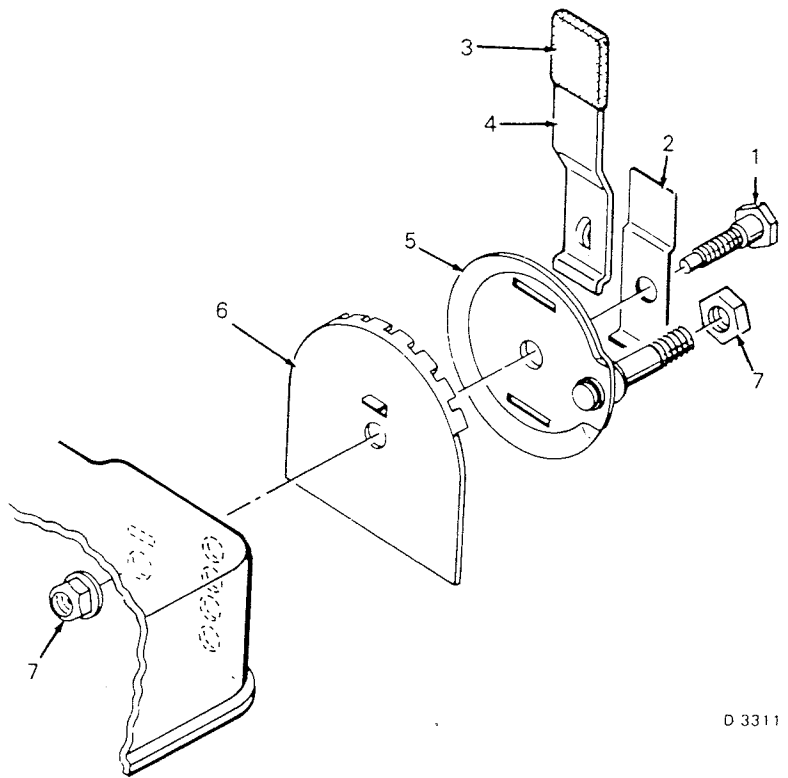
43273

22124

43274

STANDARD HEIGHT ADJUSTER ASSEMBLY

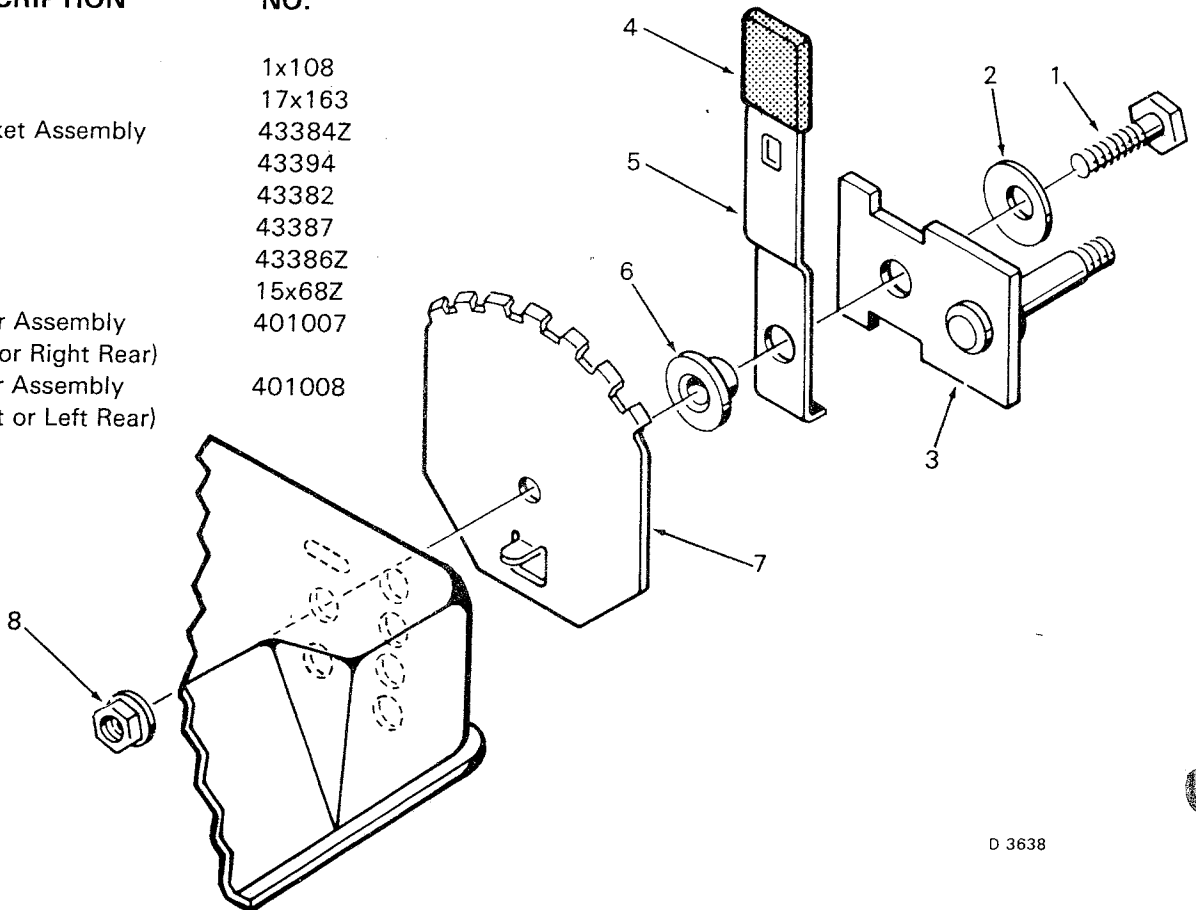
KEY NO.	DESCRIPTION	PART NO.
1	Shoulder Bolt	9x27
2	Spring	42330
3	Grip	42280
4	Adjuster Lever	43123 Z
5	Wheel Adjuster Bracket	42596 Z
6	Index Plate	42336 Z
7	Flange Nut	15x68 Z
1-7	Height Adjuster Assembly (For Right Front or Left Rear)	401011
1-7	Height Adjuster Assembly (For Left Front or Right Rear)	401012



D 3311 4

HEIGHT ADJUSTER ASSEMBLY

KEY NO.	DESCRIPTION	PART NO.
1	Bolt, Shoulder	1x108
2	Washer	17x163
3	Axle and Bracket Assembly	43384Z
4	Grip, Vinly	43394
5	Lever	43382
6	Spacer, Pivot	43387
7	Plate, Index	43386Z
8	Nut, Flange	15x68Z
1-8	Height Adjuster Assembly (For Left Front or Right Rear)	401007
1-8	Height Adjuster Assembly (For Right Front or Left Rear)	401008



D 3638