

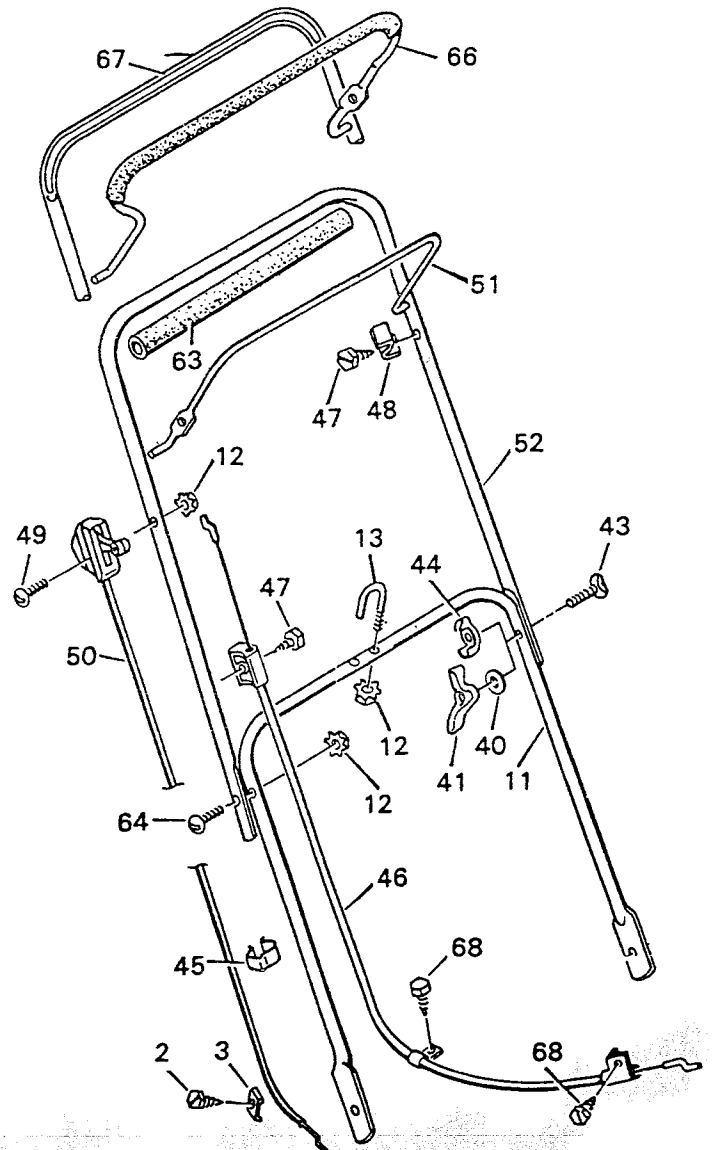


**REAR BAGGER PARTS LIST**

**8-21871**

Key No.	Description	Model 21871
1	Engine*	----
2	Screw	26x237
3	Clamp	42294
4	Key, Woodruff	20062
5	Housing	70109
6	Bracket, Right Handle	43402
8	Bracket, Left Handle	43403
9	Screw, Tapping	26x214
10	Nut, Flange	15x68Z
11	Handle, Lower	43189C
12	Locknut	15x66
13	U-Bolt	42896Z
14	Bolt	1x85
15	Wheel and Tire, Front	43273
16	Height Adjuster Assembly***	----
17	Blade Adapter	42735
18	Blade	22860HT
19	Washer, Blade	17x137
20	Washer	17x124
21	Bolt, Hex	1x69
22	Plate, Rear	43247F200
23	Push On Cap	28x42
24	Pin, Pivot	215x13Z
25	Screw	26x244
26	Deflector, Rear	43263
27	Screw	26x245
28	Door, Rear	43261E701
29	Handle, Door	43256
30	Spring, Torsion	166x31
31	Latch	42004Z
32	Spring, Torsion	166x30
34	Bolt, Engine Mounting	25x6
35	Hair Pin	31x5
36	Frame Assembly, Bag	43264
37	Tube, Upper Support	42432
38	Bag, Black	43267
39	Bag and Frame	407085
40	Washer	17x47Z
41	Knob, Plastic	42027
42	Stop, Rope	42189
43	Bolt, Contour Head	6x73
44	Wing Nut	14x83
45	Retainer, Cable	42950
46	Engine Stop Cable	42945
47	Screw	26x220
48	Stop, Lever	42765Z
49	Screw	3x105

Key No.	Description	Model 21871
50	Throttle Control	42878
51	Engine Stop Lever, Standard	42763C
52	Handle, Standard Upper	43301C
53	Grass Catcher, Top Half	43266
54	Grass Catcher, Bottom Half	43265
55	Baffle	42935
56	Clip	192x1
57	Fastener, Panel	193x1
58	Screw	4x21
59	Nut, Hex	15x102
60	Grass Catcher, Complete	407086
61	Side Chute +	43019-701
62	Frame Assembly +	43262
63	Foam Grip, Optional	42062
64	Bolt, Hex	1x94
65	Locknut, Flange	15x84
66	Engine Stop Lever, Deluxe	43303
67	Handle, Deluxe Upper	43308C
68	Screw	26x234
69	Frame Assembly, Bag	43299
70	Wheel, Rear	70106

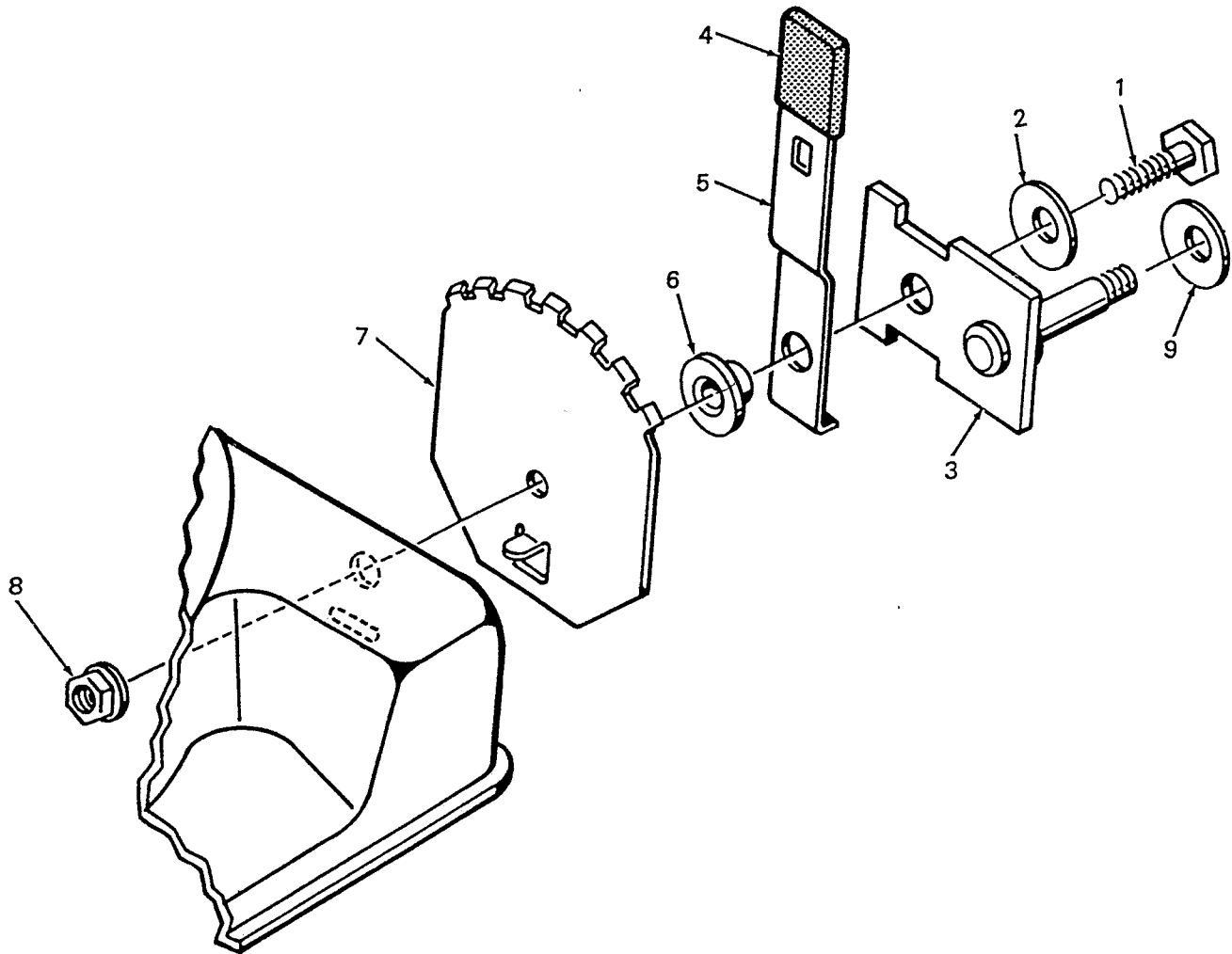


\* The engine model, type, and code numbers are on the engine. All parts to the engine are available from a Briggs & Stratton Authorized Service Center. See "Engines, Gasoline" or "Gasoline Engines" in the yellow pages of the telephone directory.

\*\*\* See the "Height Adjuster Parts List" page.

+ Model 8-24071 Side chute conversion kit. This optional accessory gives you the option of discharging the grass to the side.

## HEIGHT ADJUSTER ASSEMBLY 8-21871



Key No.	Description	Part No.
1	Bolt, Shoulder	1x108
2	Washer	17x164
3	Axle and Bracket Assembly, Front	43384Z
	Axle and Bracket Assembly, Rear	43385Z
4	Grip, Vinyl	43394
5	Lever, Front	43382
	Lever, Rear	43383
6	Spacer, Pivot	43387
7	Plate, Index	43386Z
8	Nut, Flange	15x68Z
1-8	Height Adjuster Assembly (For Left Front)	401007
1-8	Height Adjuster Assembly (For Right Front)	401008
1-8	Height Adjuster Assembly (For Left Rear)	401018
1-8	Height Adjuster Assembly (For Right Rear)	401019
9	Washer	20x3