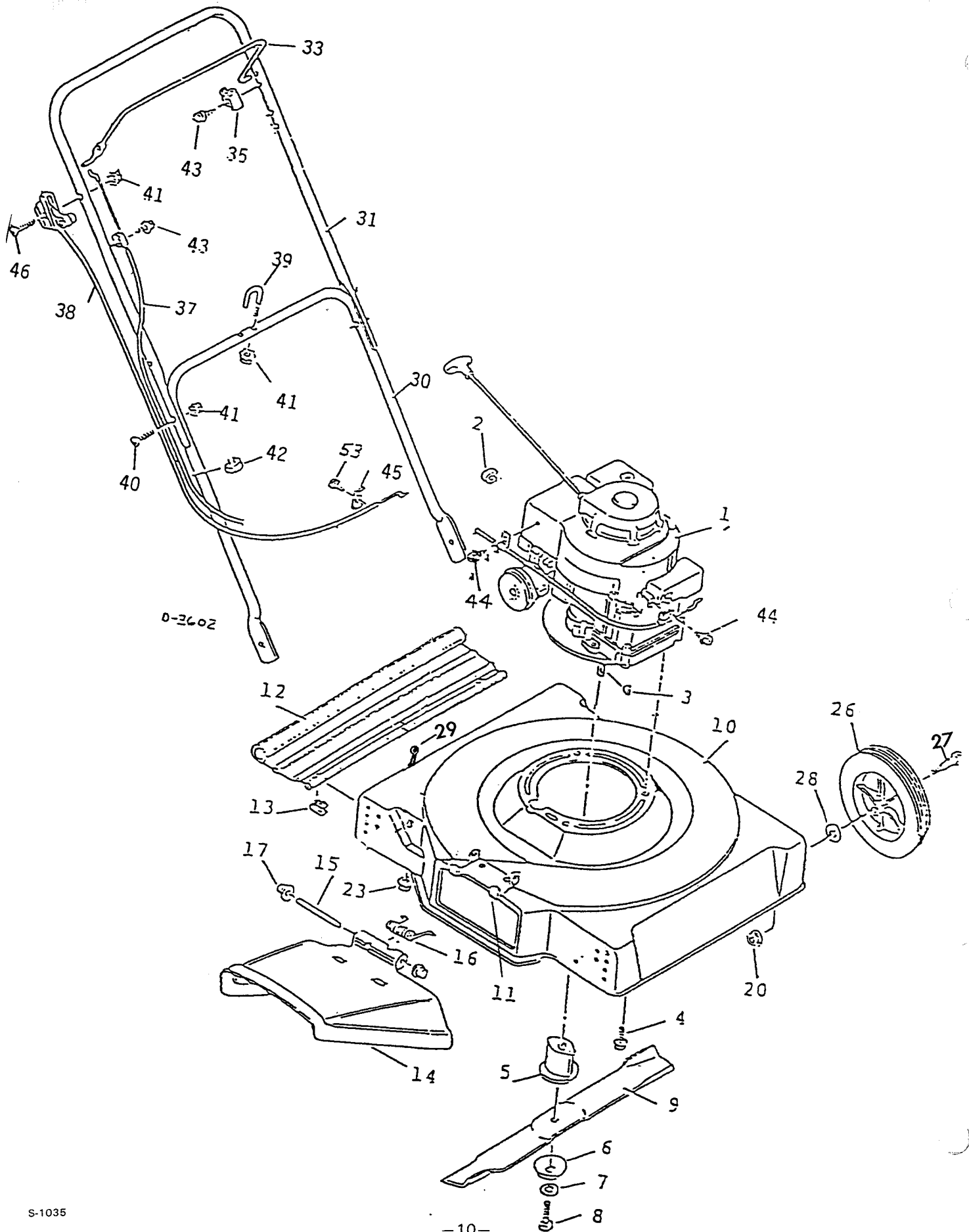


MODEL NO. 8-20211

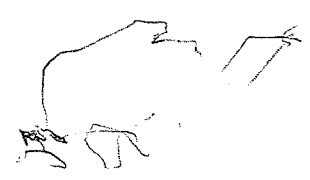
20" MOWER ILLUSTRATION



# 20" MOWER PARTS LIST

# MODEL NO. 8-20211

KEY NO.	DESCRIPTION	PART NO.
1	Engine*	----
2	Stop, Rope	42189
3	Key, Woodruff	20062
4	Bolt, Engine	25X6
5	Adapter, Blade	42734
6	Washer Blade	17X137
7	Washer	17X124
8	Bolt, Hex.	1X68
9	Blade	20045HT
10	Housing**	70100
11	Chute Bracket**	22271Z
12	Deflector Rear**	42746
13	Retainer**	42743
14	Deflector Chute**	42919
15	Pivot Pin**	215X11Z
16	Spring**	166X5
17	Push On Cap**	28X42
20	Locknut Flange	15X68
26	Wheel And Tire	20270
27	Bolt, Axle	9X10
28	Washer	10851
29	Cotter Pin	30X35
30	Handle, Lower	43270C
31	Handle, Upper	43300C
33	Engine Stop Lever	42763C
35	Stop, Lever	42765Z
37	Engine Stop Cable	42569
38	Throttle Control	42949
39	"U" Bolt	42896Z
40	Bolt	3X136Z
41	Locknut	15X66
42	Clamp, Cable	42950
43	Screw	26X220
44	Screw	26X234
45	Clamp, Throttle Control	20073
46	Bolt	3X105
53	Screw	26X181
	Parts Bag	42921
	Instruction Book	F-88410
	Decal, Blade Housing 2X7	43X416
	Decal, R.H. Side 4X4	59X615



\*\*NOTE: These parts are included with the blade housing assembly.

\*Parts are available from a Tecumseh Authorized Service Center. See "Engines, Gasoline" or "Gasoline Engines" in the yellow pages of the telephone directory.