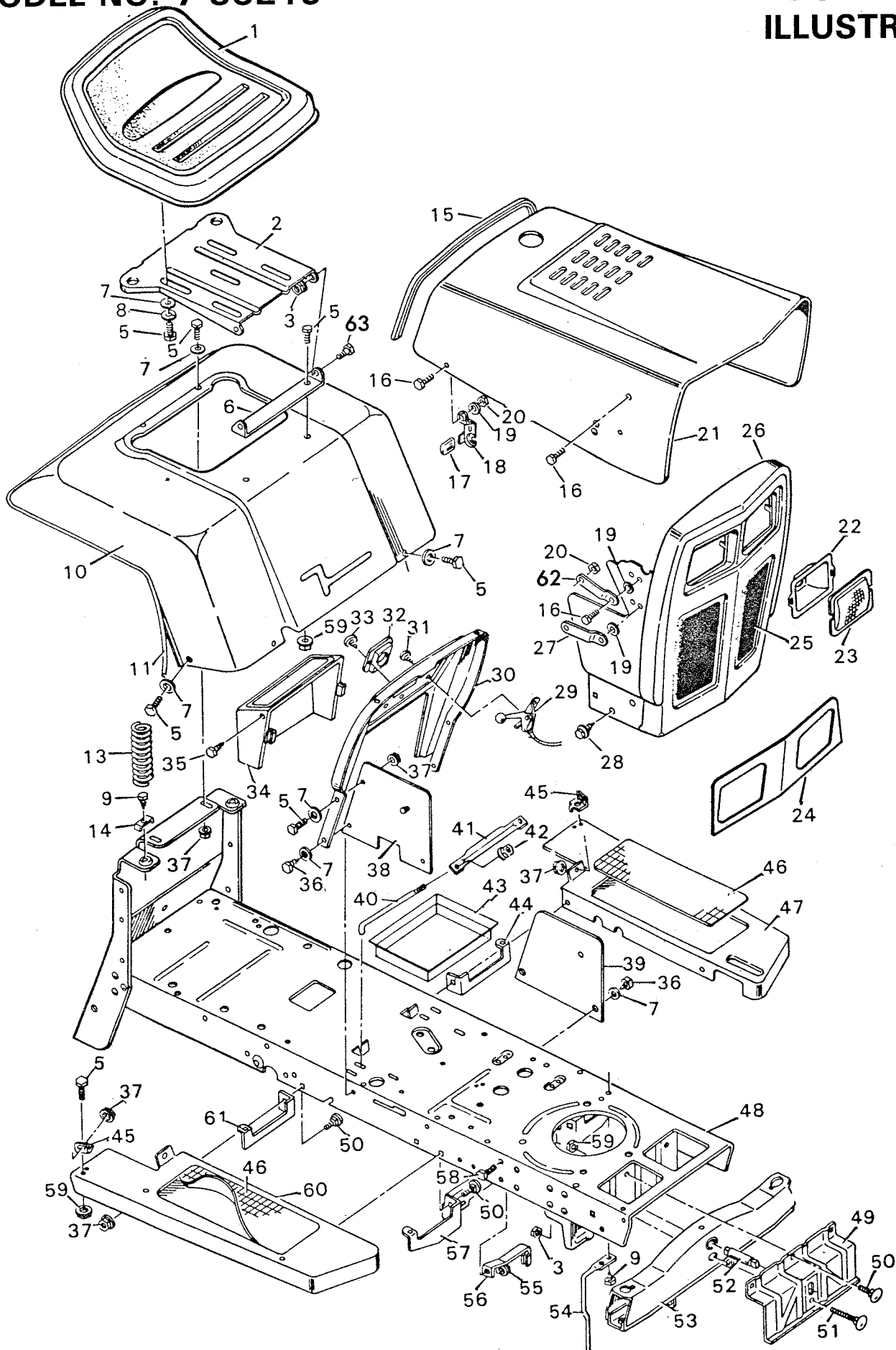


MODEL NO. 7-38219

BODY PARTS  
ILLUSTRATION



0-5398-1

## REPLACEMENT PARTS

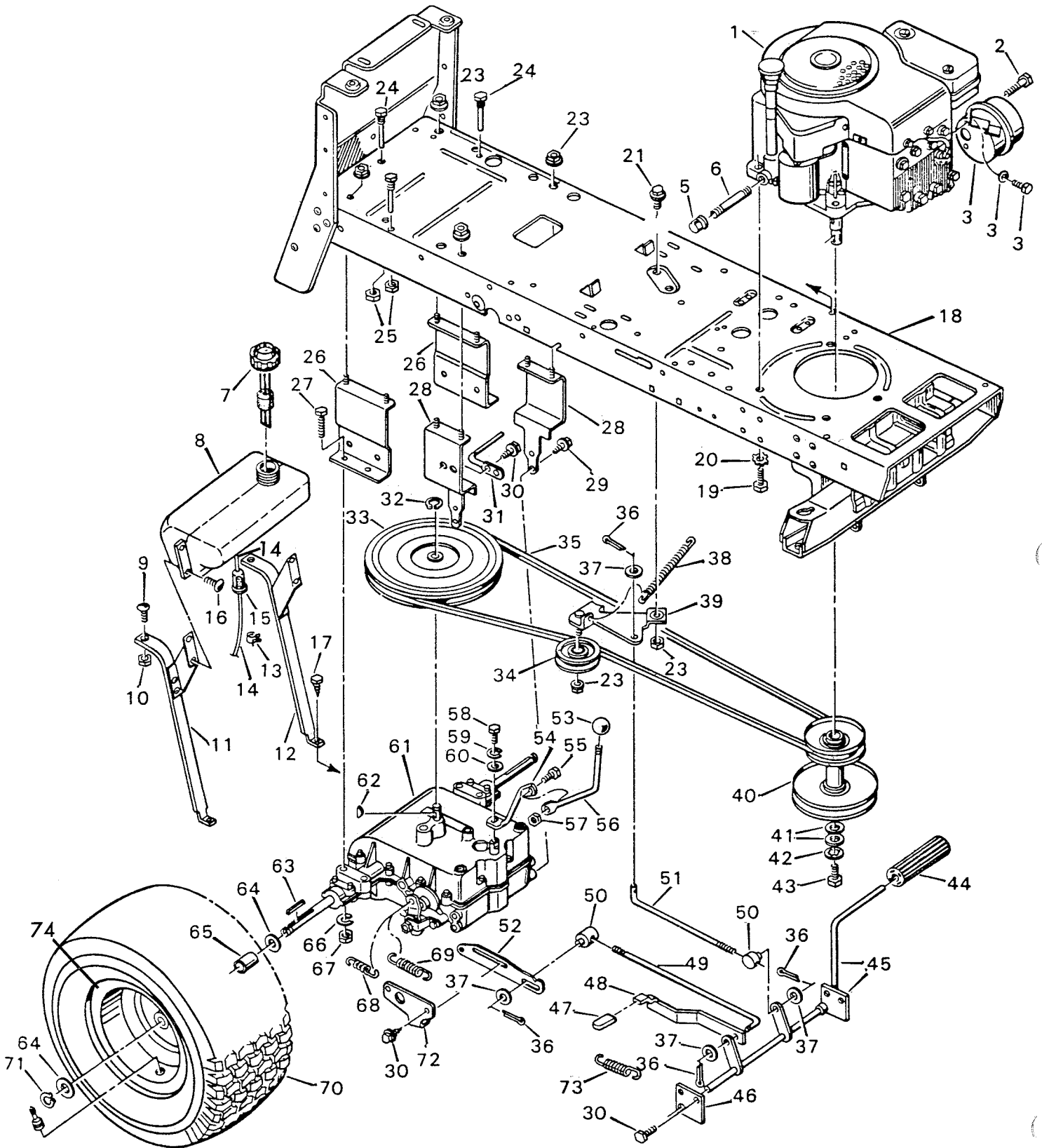
MODEL NO. 7-38219

## BODY PARTS

KEY NO.	DESCRIPTION	PART NO.	KEY NO.	DESCRIPTION	PART NO.
1	Seat	91039	36	Self Tapping Screw	26X197
2	Seat Support	91044	37	Flange Nut 5/16"-18	15X79Z
3	Flange Locknut 3/8"-16	15X84	38	Slide Plate Assembly, Right	23292
4	Shoulder Bolt 3/8"-16X7/8"	9X17	39	Slide Plate Assembly, Left	23293
5	Hex Bolt 5/16"-18X5/8"	1X45	40	Battery Clamp Rod	21762Z
6	Seat Pivot Bracket	90031	41	Battery Clamp	21761Z
7	Washer	17X47Z	42	Flange Locknut 1/4"-20	15X82
8	Lockwasher	18X16	43	Battery Tray	24157
9	Screw	26X49	44	Running Board Bracket, Left	23391
10	Seat Deck	90659	45	Bracket	23372
11	Seat Deck Trim, Plastic	21789	46	Mat, Running Board	21710
13	Spring	164X17	47	Running Board, Left	21935
14	Spring Retainer	90014	49	Front Axle Hanger	23829
15	Hood Trim, Vinyl*	21765	50	Carriage Bolt 5/16"-18X5/8"	2X53
16	Machine Screw No. 10 24X5/8"*	4X21	51	Carriage Bolt 3/8" 24X3/4"	2X60
17	Grip, Hood Latch*	21434	52	Pivot Pin	21469W
18	Hood Latch, Left*	21798Z	53	Front Axle Assembly	21441
	Hood Latch, Right*	21799Z	54	Belt Guide, Stack Pulley	23789Z
19	Washer*	17X17Z	55	Keps Nut 1/4" 20	15X66
20	Hex Nut No. 10 24*	15X81	56	Belt Guide	23826Z
21	Hood Assembly, Complete (See Note)	23913	57	Running Board Support, Front	24105
22	Reflector	90009C	58	Hex Bolt 1/4"-20X5/8"	1X38
23	Lens	90082	59	Flange Locknut 5/16"-18	15X88
24	Trim, Headlight	90654C	60	Running Board, Right	23394
25	Grille Insert R.H.	024089E	61	Running Board Bracket, Right	23390
	Grille Insert L.H.	024254E	62	Pivot Bar Ass'y	23088
26	Grille Assembly, Complete	90667	63	Hex Bolt	1X91
27	Pivot Bar	23046		Seat Pivot Brkt.	
28	Screw	26X202		Parts Bag	91579
29	Throttle Control	91582		Instruction Book	F-87716
	Cable Clip-Screw	91117PA		Parts List	F-87717
30	Control Panel	91580		Parts Bag 42" Mower	24451
31	Self Tapping Screw	26X159		Instruction Book 42" Mower	F-87703
32	Bearing, Steering Post	21707	#	Decal-Hood RH	58X838
33	Self Tapping Screw	26X186	#	Decal-Hood LH	58X837
34	Battery Cover	23940	#	Decal-Seat Deck-RH	58X572
35	Self Tapping Screw	26X214	#	Decal-Seat Deck-LH	58X573

**MODEL NO. 7-38219**

**DRIVE PARTS  
ILLUSTRATION**



# REPLACEMENT PARTS DRIVE PARTS

# MODEL NO. 7-38219

KEY NO.	DESCRIPTION	PART NO.	KEY NO.	DESCRIPTION	PART NO.
1	Engine***	----	39	Idler Bracket Assembly	24035Z
2	Hex Bolt 5/16" 18X3 1/4"	1X134	40	Engine Stack Pulley	91557Z
3	Muffler	91271PA	41	Washer	17X103
5	Oil Drain Cap	21651	42	Star Washer	19X39
6	Oil Drain Extension	24066	43	Hex Bolt 7/16" 20X1"	1X80
7	Fuel Cap	24064	44	Pedal, Clutch/Brake	21544
8	Fuel Tank	23300	45	Lever Assembly, Clutch/Brake	91332
9	Carriage Bolt 1/4" 20X3/4"	2X67	46	Support Bracket	23358
10	Flange Locknut 1/4" 20	15X89	47	Grip, Parking Brake	24235
11	Right Fuel Tank Support	24334	48	Parking Brake Arm	24201Z
12	Left Fuel Tank Support	24335	49	Brake Rod	23375Z
13	Hose Clamp	91174	50	Adjustable Nut	21920
14	Fuel Line	90672	51	Clutch Rod	24431ZD
15	Fuel Filter	24159	52	Brake Link Plate	24425Z
16	Tap Screw 1/4"X1/2"	26X214	53	Knob, Shift Lever	20739
17	Tap Screw 5/16"X3/4"	26X197	54	Lower Shift Lever	23157Z
18	Frame Channel	91531	55	Hex Bolt 5/16" 18X1"	1X84
19	Engine Mount Bolt	25X6	56	Upper Shift Lever	23720Z
20	Star Washer	19X8	57	Flange Locknut 5/16" 18	15X88
21	Shoulder Bolt 3/8" 16X7/8"	9X15	58	Hex Bolt 1/4" 28X5/8"	1X82
23	Flange Locknut 3/8" 16	15X84	59	Lockwasher	18X32
24	Guide Bolt	20619	60	Washer	17X37Z
25	Flange Nut 5/16" 18	15X79	61	Transaxle** (Peerless Model No. 801-016A)	----
26	Rear Transaxle Bracket	23154E	62	Woodruff Key No. 9	20697
27	Hex Bolt 5/16" 18X2 3/8"	1X99	63	Square Key 3/16"	21553
28	Front Transaxle Bracket	24036E	64	Washer	17X160
29	Formed Screw 5/16"X1"	26X207	65	Rear Axle Tube	87X63Z
30	Tap Screw 5/16"X1/2"	26X49	66	Lockwasher	18X15
31	Belt Guide	24030Z	67	Hex Nut 5/16" 18	15X2
32	Retainer Ring	11X7	68	Extension Spring	165X20
33	Drive Pulley	75073	69	Extension Spring	165X41
34	Backside Idler	23339	#	Tire Tube	407065
35	Drive Belt	37X11	70	Tire*	24430
36	Cotter Pin	30X20	#	Valve Stem and Cap	24373
37	Washer	17X53Z	71	E Ring	11X3
38	Extension Spring	165X17	72	Link Plate Support	24426
			73	Extension Spring	165X58
			74	Wheel	24351E
			75	Grommet	21268

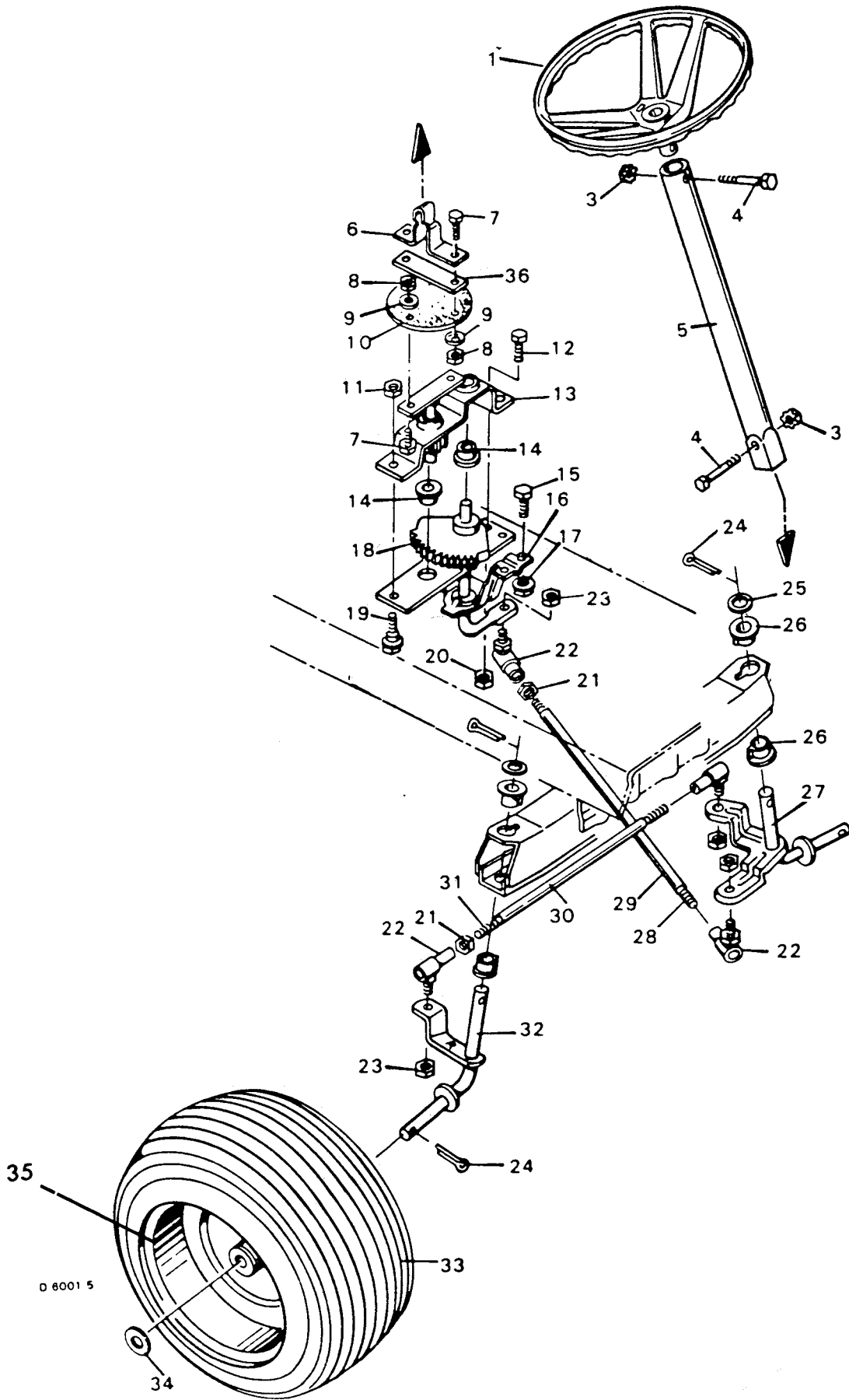
\*\*\*NOTE: The engine model, type, and code numbers are on the engine. All parts to the engine are available from a Briggs and Stratton Authorized Service Center. See the yellow pages under, "Engines, Gasoline" or "Gasoline Engines" in the telephone directory.

\*\*NOTE: Replacement parts for the transmission are available from a Tecumseh Authorized Service Center. See the yellow pages under, "Engines, Gasoline" or "Gasoline Engines" in the telephone directory.

\*NOTE: For Replacement Parts, always give the name on the side of the tire so that the tire tread pattern will be the same.

# MODEL NO. 7-38219

# STEERING REPLACEMENT PARTS



**STEERING REPLACEMENT PARTS****MODEL NO. 7-38219**

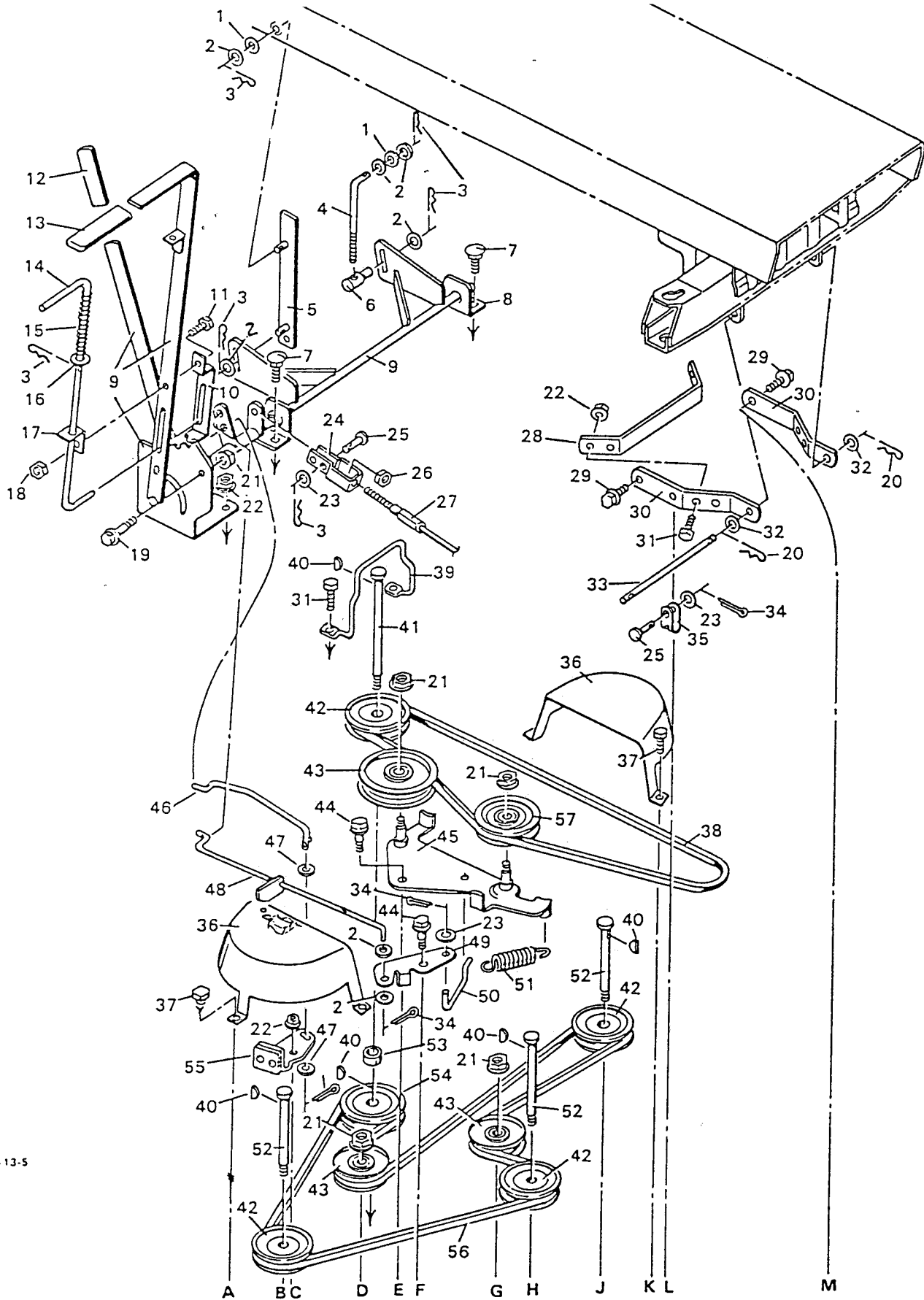
<b>KEY NO.</b>	<b>DESCRIPTION</b>	<b>PART NO.</b>
1	Steering Wheel	90577
3	Keps Nut 5/16" 18	15X76
4	Hex Bolt 5/16" 18X1 3/4"	1X75
5	Steering Post	24345C
6	Upper Steering Coupling	21489
7	Hex Bolt 1/4" 20X7/8"	1X95
8	Locknut 1/4" 20	15X89
9	Formed Washer	23039
10	Steering Disc	21532
11	Flange Locknut 3/8" 16	15X84
12	Hex Bolt 5/16" 18X5/8"	1X45
13	Steering Gear Bracket Assembly	21492
14	Bearing	20587
15	Hex Bolt 5/16" 18X5/8"	1X45
16	Steering Bracket	21693
17	Flange Locknut 5/16" 18	15X79
18	Steering Gear Assembly	21692
19	Hex Bolt	1X85
20	Flange Locknut 5/16" 18	15X88
21	Hex Nut	15X61
22	Steering Ball Joint	21031
23	Flange Locknut 3/8" 24	15X87
24	Cotter Pin	30X49
25	Washer	17X83Z
26	Spindle Bearing	23820
27	Left Spindle Assembly	24229
28	Drag Link Rod	21482
29	Sleeve, Drag Link Rod	156X2
30	Sleeve, Tie Rod	156X1
31	Tie Rod	21475T
32	Right Spindle Assembly	24228
33	Tire*	24376
#	Valve Stem and Cap	24373
#	Wheel Bearing	91334
#	Tire Tube	407047
34	Washer	17X83Z
35	Wheel	24488E
36	Coupling Plate	21490

\*NOTE: For Replacement Parts, always give the name on the side of the tire so that the tire tread pattern will be the same.

# REPLACEMENT PARTS

# 7-38219

## MOWER HOUSING TOP HALF



0-5113-5

**REPLACEMENT PARTS****7-38219****MOWER HOUSING TOP HALF**

KEY NO.	DESCRIPTION	PART NO.	KEY NO.	DESCRIPTION	PART NO.
1	Washer	10851Z	26	Nut, Hex 5/16''-18	15X2
2	Washer	17X124	27	Cable, Lifter	24470
3	Pin, Hair	31X6	28	Brace, Hanger	24472Z
4a	Rod, Adjuster 6-¼'' Long For 18 to 20 inch Dia. Rear Wheels	23275Z	29	Bolt, Shoulder	9X14
5a	Bracket, Right Hanger 5½'' Long** For 18 to 20 inch Dia. Rear Wheels	23188Z	30	Arm, Support	23185
6	Nut, Adjustable	21920	31	Bolt, Hex 5/16''-18X1''	1X84
7	Bolt, Carriage*	2X64	32	Washer	17X57Z
8	Support, Lifter*	23184	33	Pin, Pull	21912Z
9	Lifter Assembly*	24260	34	Pin, Cotter	30X20
10	Bracket, Guide	23192Z	35	Clevis	24073
11	Bolt, Hex 1/4''-20X7/8''	1X95	36	Cover, Pulley	23231
12	Grip, Engagement Lever	91573	37	Screw, Tap	26X214
13	Grip, Lifter Latch	23222	38	Belt, Blade Drive	37X40
14	Latch, Lifter	23194Z	39	Guide, Belt	23751Z
15	Spring, Lifter	164X4	40	Key, Woodruff No. 6	20062
16	Washer	17X53	41	Jackshaft	23180
17	Bracket, Lifter Guide	23193Z	42	Pulley, Jackshaft	20615
18	Nut, Keps 1/4''-20	15X66	43	Pulley, Backside Idler	23238
19	Bolt, Shoulder 3/8''-16	9X13	44	Bolt, Shoulder 3/8''-16X7/8''	9X12
20	Pin, Hair	31X6	45	Idler Assembly, Blade Drive	23179
21	Locknut, Flange 3/8''-16	15X84	46	Rod, Brake	91593Z
22	Locknut, Flange 5/16''-18*	15X88	47	Washer	17X46
23	Washer	17X47Z	48	Rod Assembly, Link	91535Z
24	Clevis, Adjusting	24471Z	49	Link, Engagement	23226Z
25	Pin, Clevis	29X93	50	Rod, Engagement Link	23228Z
			51	Spring, Blade Drive	165X43
			52	Jackshaft, Short	20616
			53	Spacer	23213Z
			54	Pulley, Jackshaft	23739
			55	Pad Assembly, Brake	91592
			56	Belt, Cross Drive	37X22
			57	Idler Pulley	23211

\* NOTE: Parts that have an asterisk (\*) in the description are included with Mower Housing Assembly on the Lower Half of the mower housing illustration.

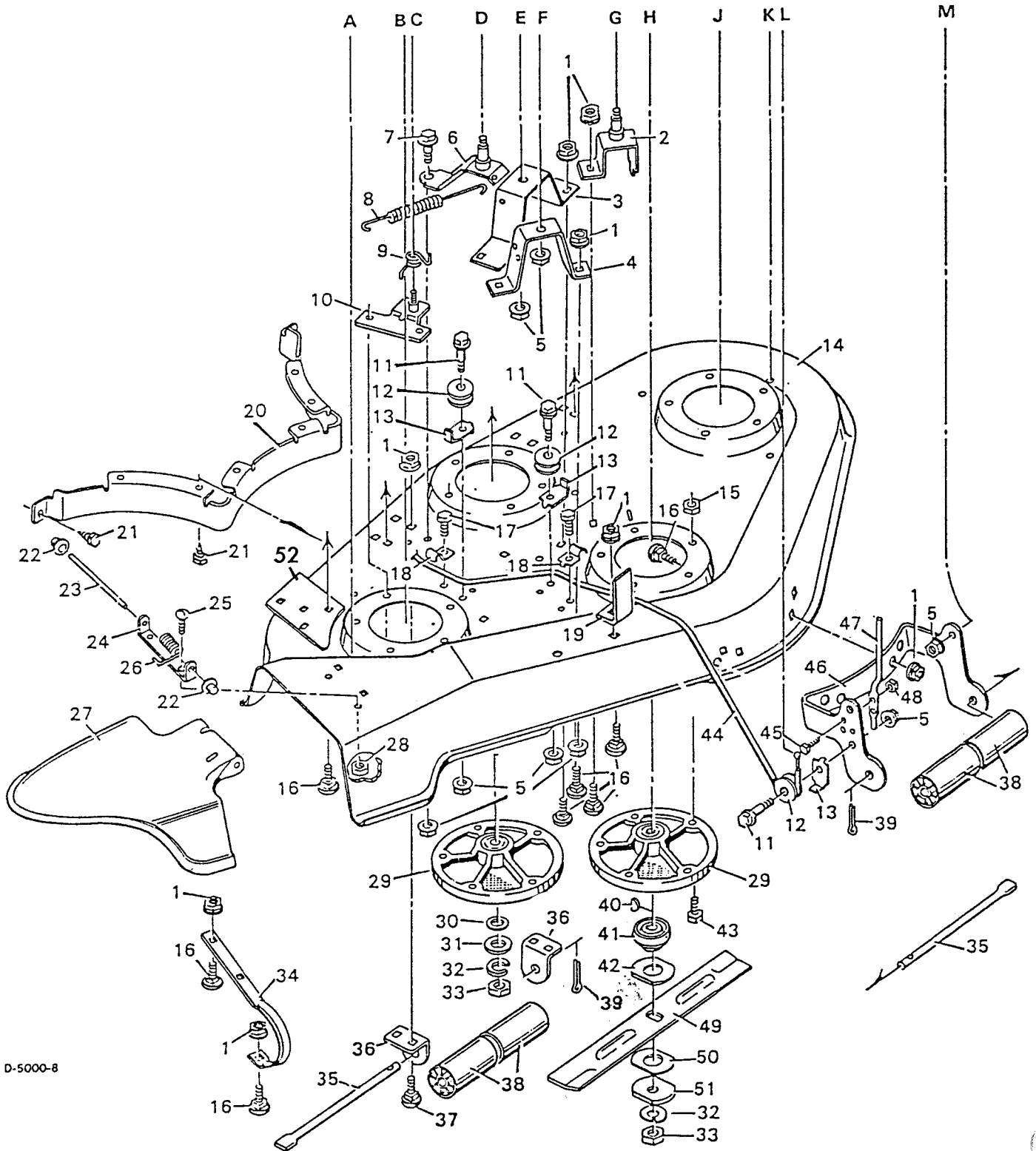
\*\* NOTE: These parts are measured from weld pin to weld pin.



# REPLACEMENT PARTS

7-38219

## MOWER HOUSING LOWER HALF



D-5000-8

## REPLACEMENT PARTS

7-38219

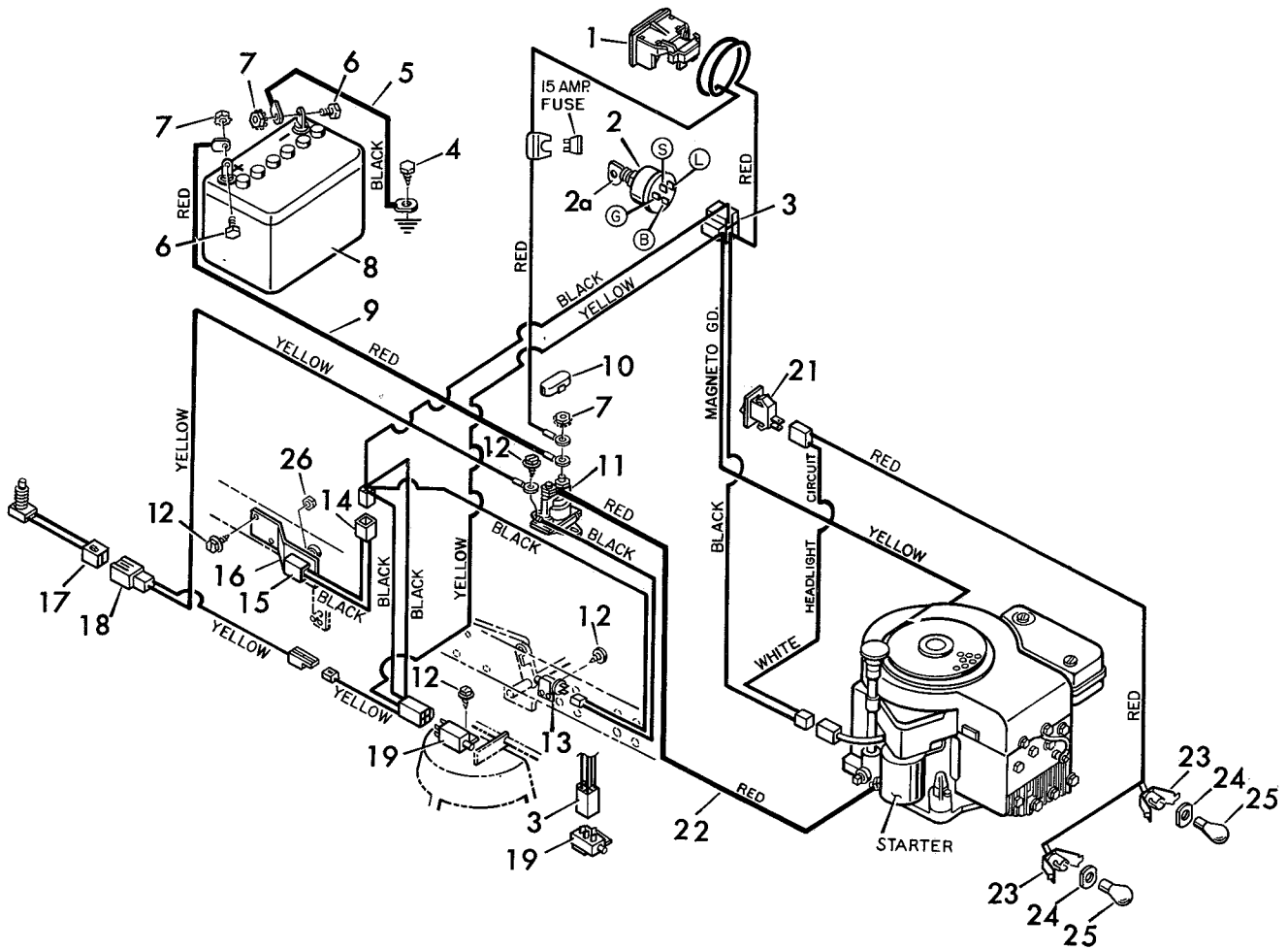
## MOWER HOUSING LOWER HALF

KEY NO.	DESCRIPTION	PART NO.	KEY NO.	DESCRIPTION	PART NO.
1	Nut, Flange 5/16''-18*	15X79	27	Deflector, Mower Housing	23224
2	Idler Assembly, Fixed*	23177	28	Locknut, Hex No. 10-24*	15X81
3	Support, Idler*	23240	29	Housing, Jackshaft	24384
4	Support, Engagement Link*	23241	30	Washer	17X140
5	Locknut, Flange 3/8''-16	15X84	31	Washer	17X141
6	Idler Assembly, Cross Drive	23178Z	32	Lockwasher	18X27
7	Bolt, Shoulder 3/8''-16X7/8''	9X15	33	Nut, Hex 1/2''-20	15X72
8	Spring, Cross Drive	165X60	34	Skid*	24070
9	Spring, Blade Brake Torsion	166X29	35	Axle, Roller	23186Z
10	Bracket & Pin Assembly	91591Z	36	Support, Rear Roller*	23208
11	Bolt, Shoulder 3/8''-16	9X13	37	Bolt, Carriage 5/16''-18X2-5/8''*	2X53
12	Pulley, Nylon	23187	38	Roller	23203
13	Guide, Cable	23191Z	39	Pin, Cotter	30X49
14	Housing Assembly, Mower	24261	40	Key, Woodruff No. 6	20062
15	Locknut, Flange 5/16''-18*	15X88	41	Adapter, Blade	54211
16	Bolt, Carriage 5/16''-18X3/4''*	2X64	42	Washer	24614Z
17	Screw, Tap	26X214	43	Bolt, Hex 5/16''-18X3/4''	1X84
18	Guide, Cable	21953Z	44	Cable, Lifter	24470
19	Deck Stop*	23782	45	Bolt, Hex 1/4''-20X7/8''	1X95
20	Baffle, Mower Housing*	23207	46	Support, Front Roller*	24009
21	Screw	26X195	47	Guide, Curved Belt	24071Z
22	Cap, Push On	28X23	48	Locknut, Flange 1/4''-20	15X89
23	Rod, Deflector	23173Z	49	Blade	24458HT
24	Bracket, Deflector*	23172	50	Washer	21673Z
25	Screw, Machine No. 10-24X5/8''*	4X21	51	Washer, Blade	20663Z
26	Spring, Torsion	166X4	—	Housing Complete, Mower	403134
			52	Base Plate	24012

\* NOTE: Parts that have an asterisk (\*) in the description are included with Mower Housing Complete (Top & Lower Halves).

**MODEL NO. 7-38219**

**WIRING DIAGRAM**



KEY NO.	DESCRIPTION	PART NO.	KEY NO.	DESCRIPTION	PART NO.
1	Ammeter Assembly*	90829	15	Shield, Switch	91071
2	Switch and Key, Ignition	21064PA	16	Leaf Spring, Switch	91561
2a	Key Only	20729	17	Switch, Seat Sensor	S91031
—	Fuse, Auto Type	54212	18	Wire Harness-Seat Switch	250X10
3	Wire Harness	250X8	19	Switch, Mower Housing* *	91032
4	Screw	26X49	21	Switch, Light	90647
5	Cable, Battery Ground	24X6	22	Cable (Solenoid to Engine)	24X13
6	Bolt, Hex 1/4"-20X5/8"	1X38	23	Socket Assembly, Light	90155
7	Nut, Keps 1/4"-20	15X66	24	Washer, Light Socket	90228
8	Battery 12-Volt 30-AMP Acid, Battery (Electrolyte)	21075 90665	25	Bulb, Lamp	90084
9	Cable, Battery (Solenoid to battery)	24X25	—	Strap, Tie	32618
10	Cover, Solenoid	90565	—	Clamp, Wire	21980
11	Solenoid	24285	26	Nut, hex 3/8"-24	15X33
12	Screw, No. 10X1/2"	26X233			
13	Switch, Clutch Limit	21549			
14	Switch, Momentary SP-NC	91070			

\* NOTE: Two Ammeters (Key No. 1) are shown in the diagram. Your unit will only have one ammeter. Both ammeters are shown because of the difference in appearance and how they connect.

\*\* NOTE: Two Attachment Switches (Key No. 19) are shown in the diagram. Your unit will only have one switch. Both switches are shown because of the difference in appearance and how they connect.