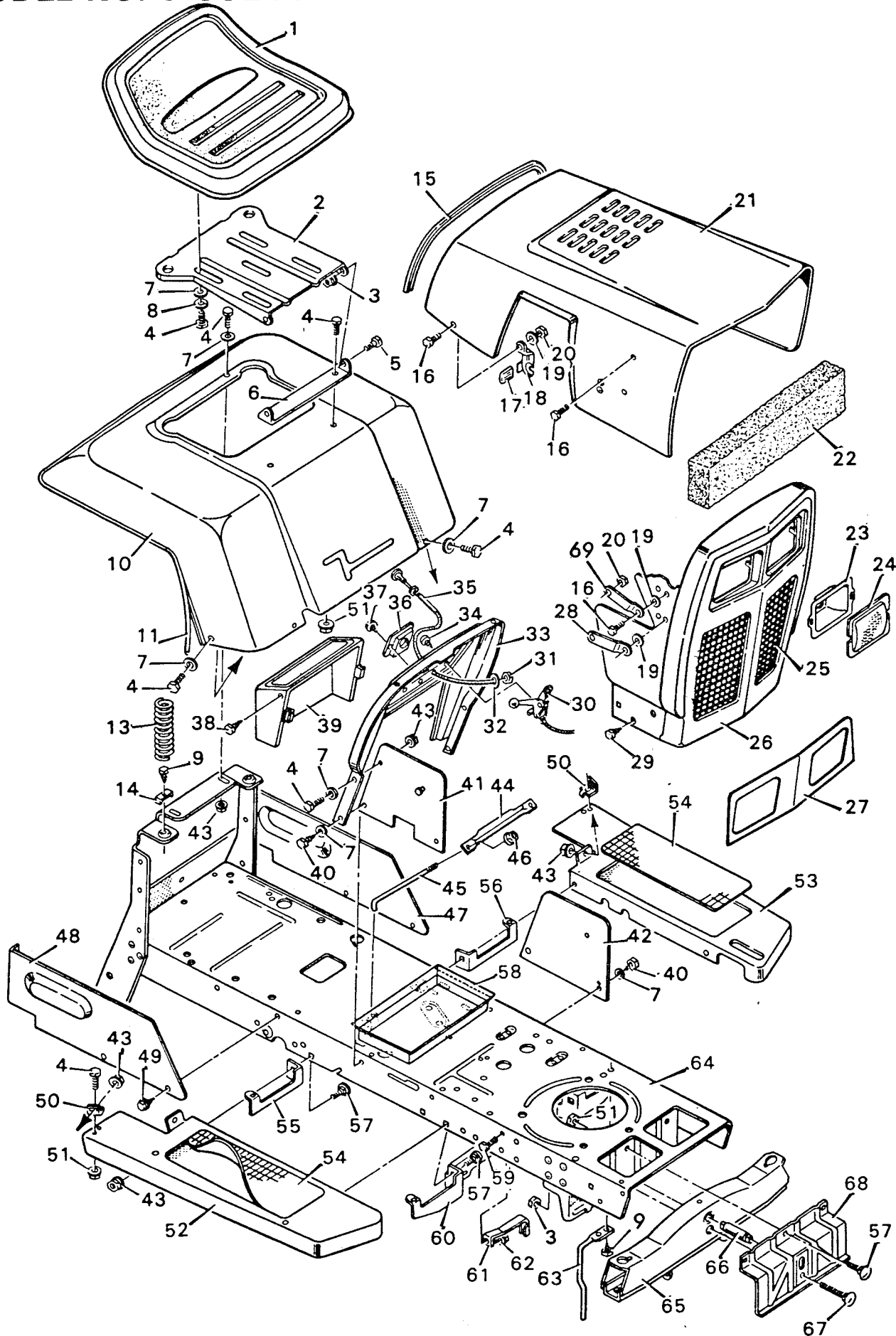


**MODEL NO. 7-38211**

**BODY REPLACEMENT PARTS**



## BODY REPLACEMENT PARTS

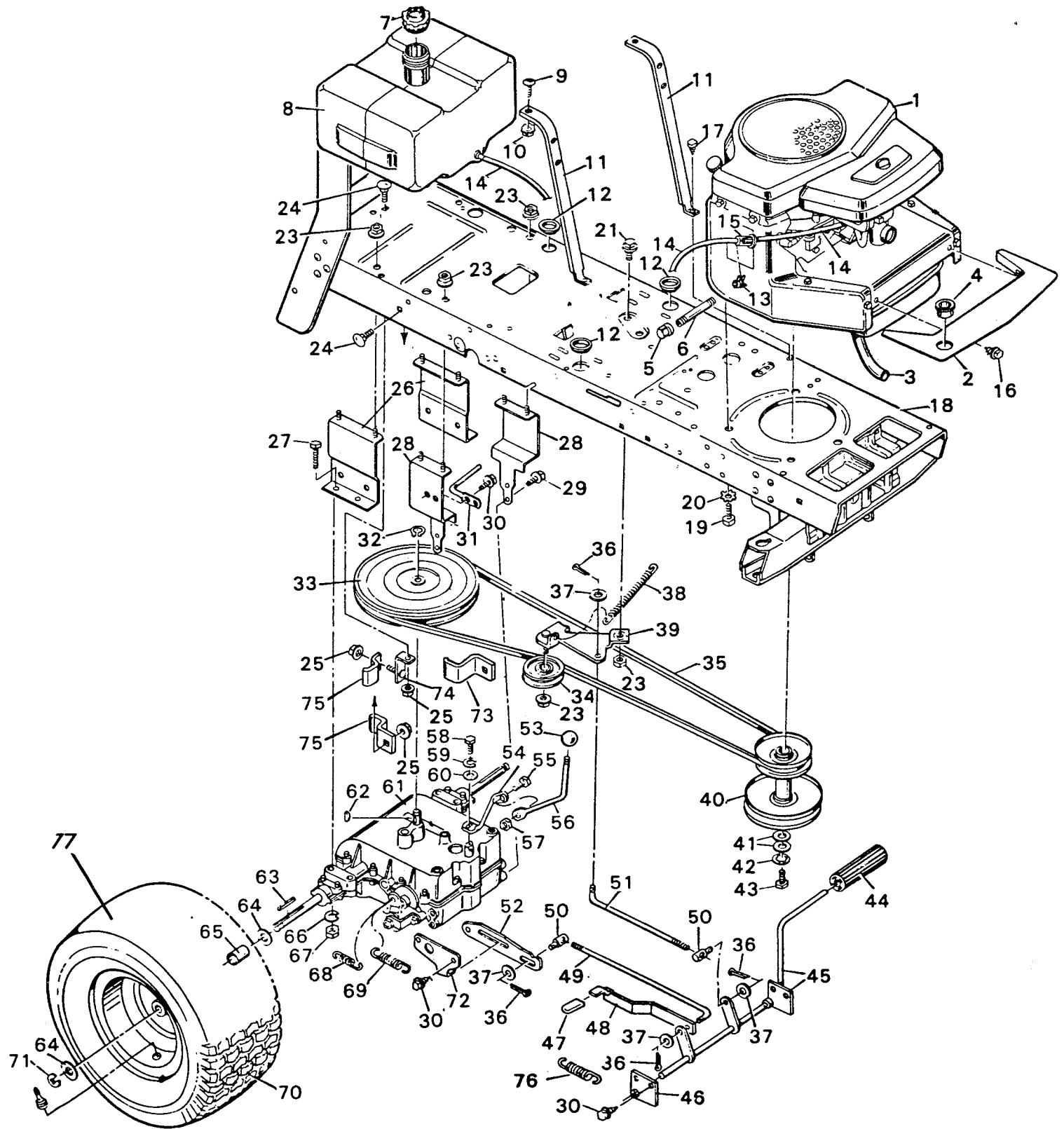
## MODEL NO. 7-38211

KEY NO.	DESCRIPTION	PART NO.	KEY NO.	DESCRIPTION	PART NO.
1	Seat	91039	34	Screw	26X159
2	Seat Support	91044	35	Choke Cable	23780
3	Flange Locknut 3/8"-16	15X84	36	Bearing, Steering Post	21707
4	Hex Bolt 5/16" 18X5/8"	1X45	37	Screw	26X186
5	Shoulder Bolt 3/8" 16X7/8"	9X15	38	Screw	26X214
6	Seat Pivot Bracket	90031	39	Battery Cover	23940
7	Washer	17X47Z	40	Screw	26X197
8	Lockwasher	18X16	41	Side Plate Assembly, Right	23292
9	Screw	26X49	42	Side Plate Assembly, Left	23293
10	Seat Deck	90659	43	Flange Nut 5/16" 18	15X79Z
11	Seat Deck Trim, Plastic	21789	44	Battery Clamp	21761
13	Spring	164X17	45	Battery Clamp Rod	21762Z
14	Spring Retainer	90014	46	Flange Locknut 1/4" 20	15X82
15	Hood Trim, Vinyl*	21765	47	Side Panel, Left	91559
16	Machine Screw No., 10 24X5/8"*	4X21	48	Side Panel, Right	91558
17	Grip, Hood Latch*	21434	49	Screw	26X185
18	Hood Latch, Right*	21798Z	50	Bracket	23372
--	Hood Latch, Left*	21799Z	51	Flange Locknut 5/16" 18	15X88
19	Washer*	17X17Z	52	Running Board, Right	23394
20	Hex Nut No. 10 24*	15X81	53	Running Board, Left	21935
21	Hood Assembly	24087	54	Mat, Running Board	21710
22	Heat Baffle, Foam	403154	55	Running Board Bracket, Right	23390
23	Reflector	90009C	56	Running Board Bracket, Left	23391
24	Lens	90082	57	Carriage Bolt 5/16" 18X5/8"	2X53
25	Grille Screen, Left	24254E	58	Battery Tray	24157
--	Grille Screen, Right	24089E	59	Hex Bolt 1/4" 20X5/8"	1X38
26	Grille Assembly, Complete	90668	60	Running Board Support, Front	24105
27	Trim, Headlight	90654C	61	Belt Guide	23826Z
28	Pivot Bar	23046	62	Keps Nut 1/4" 20	15X66
29	Screw	26X202	63	Belt Guide, Stack Pulley	23789Z
30	Throttle Control	91583	64	Frame Channel	402058
31	Hex Nut	15X33	65	Front Axle Assembly	21441
32	Lockwasher	18X31	66	Pivot Pin	21469W
33	Control Panel	91580	67	Carriage Bolt 3/8" 16X3/4"	2X60
			68	Front Axle Hanger	23829
			69	Pivot Bar Ass'y	23088
				Parts Bag	91579
				Instruction Book	F-87705
				Parts Lists	F-87704
				Parts Bag 42" Mower	24451
				Instruction Book	
				Parts List 42" Mower	F-87703
			#	Decal - Hood-RH	58X832
			#	Decal - Hood-LH	58X833
			#	Decal - Seat Deck-RH	58X836
			#	Decal - Seat Deck-LH	58X835

NOTE: These parts, shown with an (\*), are included with key number 21.

# MODEL NO. 7-38211

# DRIVE REPLACEMENT PARTS



**DRIVE REPLACEMENT PARTS****MODEL NO. 7-38211**

KEY NO.	DESCRIPTION	PART NO.	KEY NO.	DESCRIPTION	PART NO.
1	Engine***	----	41	Washer	10851Z
2	Baffle	91571E	42	Star Washer	19X39
3	Exhaust Pipe	23743E	43	Hex Bolt 3/8" 24X1"	1X20
4	Bushing	23857	44	Pedal, Clutch/Brake	21544
5	Oil Drain Cap	21651	45	Lever Assembly, Clutch/Brake	91332
6	Oil Drain Extension	23783	46	Support Bracket	23358
7	Fuel Cap	23787	47	Grip, Parking Brake	24235
8	Fuel Tank	23396	48	Parking Brake Arm	24201Z
9	Carriage Bolt 1/4" 20X3/4"	2X67	49	Brake Rod	23375ZD
10	Flange Locknut 1/4" 20	15X89	50	Adjustable Nut	21920
11	Support, Fuel Tank	24331	51	Clutch Rod	24431ZD
12	Grommet	21268	52	Brake Link Plate	24425Z
13	Hose Clamp	23713	53	Knob, Shift Lever	20739
14	Fuel Line	23714	54	Lower Shift Lever	23157Z
15	Fuel Filter	24159	55	Hex Bolt 5/16" 18X1"	1X84
16	Tap Screw 1/4"X1/2"	26X214	56	Upper Shift Lever	23720Z
17	Tap Screw 5/16"X3/4"	26X197	57	Flange Locknut 5/16" 18	15X88
18	Frame Channel	402058	58	Hex Bolt 1/4" 28X5/8"	1X82
19	Engine Mount Bolt	25X6	59	Lockwasher	18X32
20	Star Washer	19X8	60	Washer	17X37Z
21	Shoulder Bolt 3/8" 16X7/8"	9X15	61	Transaxle** (Peerless Model No. 801-016)	24453
23	Flange Locknut 3/8" 16	15X84	62	Woodruff Key No. 9	20697
24	Carriage Bolt	2X53	63	Square Key 3/16"	21553
25	Flange Nut 5/16" 18	15X79	64	Washer	17X160
26	Rear Transaxle Bracket	23154	65	Rear Axle Tube	87X63Z
27	Hex Bolt 5/16" 18X2 3/8"	1X99	66	Lockwasher	18X15
28	Front Transaxle Bracket	24036E	67	Hex Nut 5/16" 18	15X2
29	Formed Screw 5/16"X1"	26X207	68	Extension Spring	165X20
30	Tap Screw 5/16"X1/2"	26X49	69	Extension Spring	165X41
31	Belt Guide	24030Z	77	Wheel (Only)	24351E
32	Retainer Ring	11X7	†	Tire Tube	407065
33	Drive Pulley	75073	70	Tire (Only)*	24430
34	Backside Idler	23339	†	Valve Stem and Cap	24373
35	Drive Belt	37X11	71	E Ring	11X3
36	Cotter Pin	30X20	72	Link Plate Support	24426
37	Washer	17X53Z	73	Belt Guide	24469
38	Extension Spring	165X17	74	Bracket, Belt Guide	23808
39	Idler Bracket Assembly	24035Z	75	Belt Guide	24468
40	Engine Stack Pulley	90329Z	76	Extension Spring	165X58

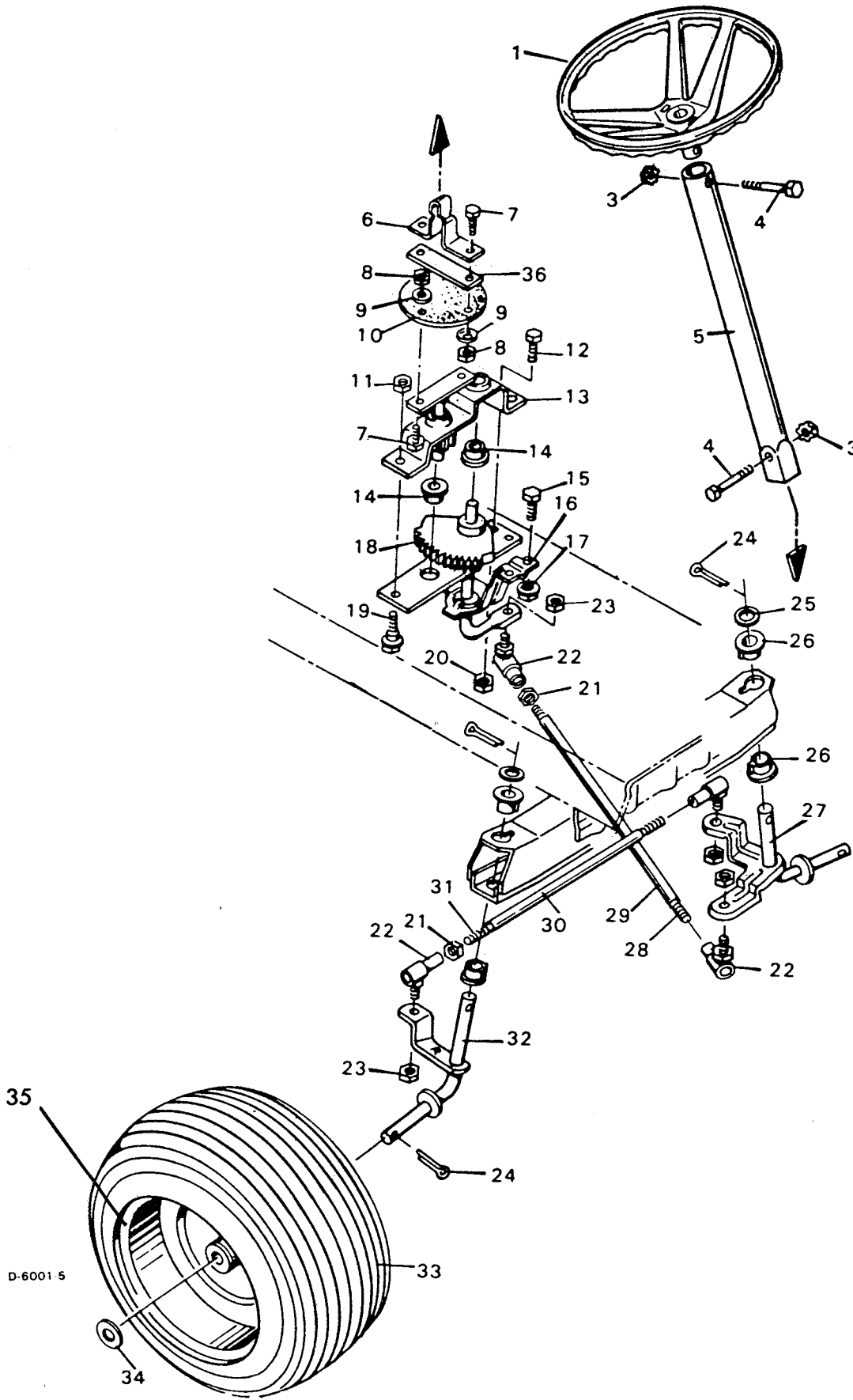
\*\*\*NOTE: The engine model, type, and code numbers are on the engine. All parts to the engine are available from a Briggs and Stratton Authorized Service Center. See the yellow pages under, "Engines, Gasoline" or "Gasoline Engines" in the telephone directory.

\*\*NOTE: Replacement parts for the transmission are available from a Tecumseh Authorized Service Center. See the yellow pages under, "Engines, Gasoline" or "Gasoline Engines" in the telephone directory.

\*NOTE: For Replacement Parts, always give the name on the side of the tire so that the tire tread pattern will be the same.

**MODEL NO. 7-38211**

**STEERING REPLACEMENT PARTS**



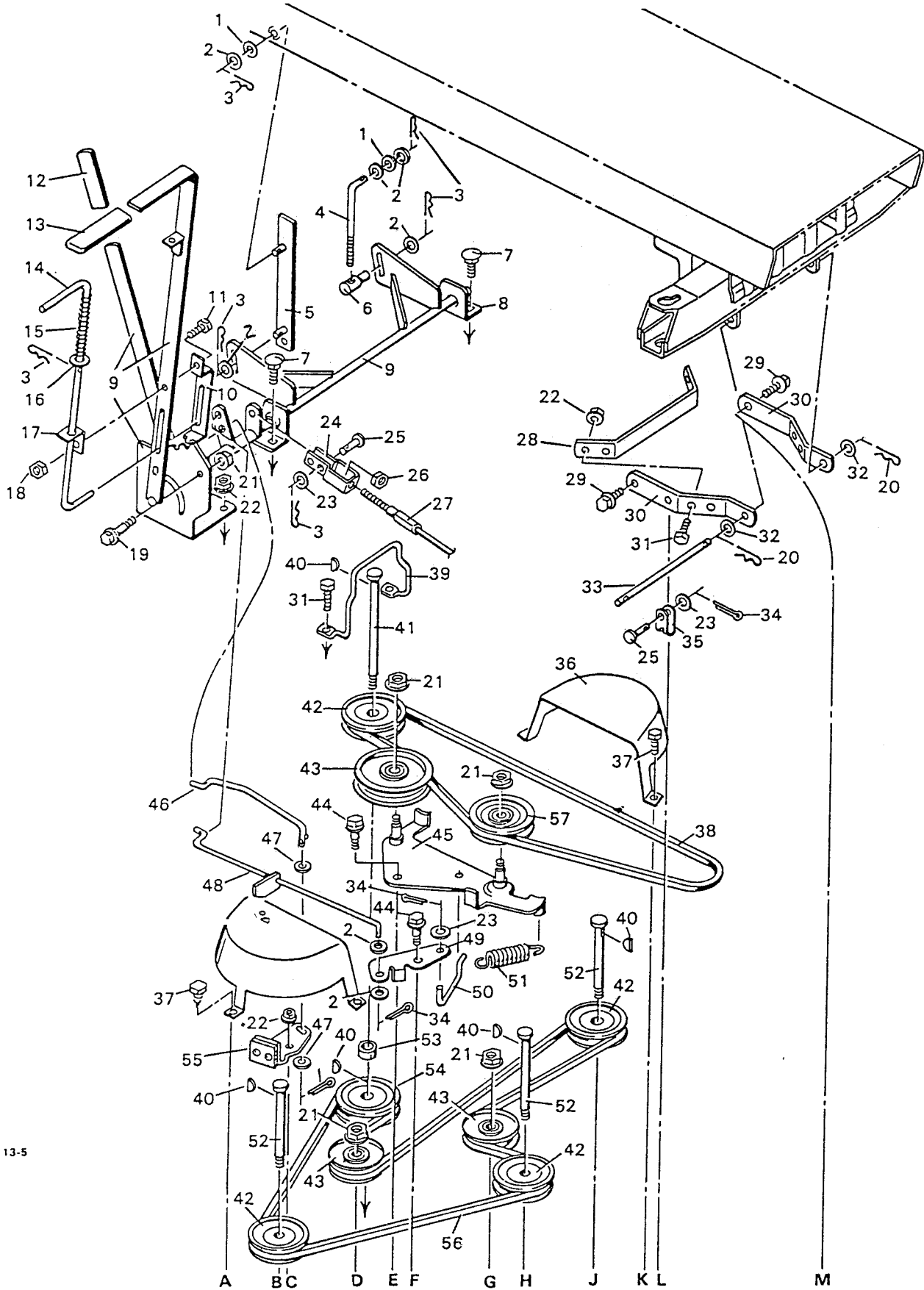
**STEERING REPLACEMENT PARTS****MODEL NO. 7-38211**

<b>KEY NO.</b>	<b>DESCRIPTION</b>	<b>PART NO.</b>
1	Steering Wheel	90577
3	Keps Nut 5/16" 18	15X76
4	Hex Bolt 5/16" 18X1 3/4"	1X75
5	Steering Post	24345C
6	Upper Steering Coupling	21489
7	Hex Bolt 1/4" 20X7/8"	1x95
8	Locknut 1/4" 20	15X67
9	Formed Washer	23039
10	Steering Disc	21532
11	Flange Locknut 5/16" 18X5/8"	15X84
12	Hex Bolt 5/16" 18X5/8"	1X45
13	Steering Gear Bracket Assembly	21492
14	Bearing	20587
15	Hex Bolt 5/16" 18X5/8"	1X45
16	Steering Bracket	21693
17	Flange Locknut 5/16" 18	15X79
18	Steering Gear Assembly	21692
19	Shoulder Bolt	1X85
20	Flange Locknut 5/16" 18	15X88
21	Hex Nut	15X61
22	Steering Ball Joint	21031
23	Flange Locknut 3/8" 24	15X87
24	Cotter Pin	30X49
25	Washer	17X83Z
26	Spindle Bearing	23820
27	Left Spindle Assembly	24229
28	Drag Link Rod	21482
29	Sleeve, Drag Link Rod	156X2
30	Sleeve, Tie Rod	156X1
31	Tie Rod	21475
32	Right Spindle Assembly	24228
35	Wheel (Only)	24488E
33	Tire (Only*)	24376
#	Valve Stem and Cap	24373
#	Wheel Bearing	91334
#	Tire Tube	407047
34	Washer	17X83Z
36	Coupling Plate	21490

\*NOTE: For Replacement Parts, always give the name on the side of the tire so that the tire tread pattern will be the same.

# 7-38211 REPLACEMENT PARTS

# MOWER HOUSING TOP HALF



D-5113-5

**MOWER HOUSING TOP HALF****7-38211  
REPLACEMENT PARTS**

KEY NO.	DESCRIPTION	PART NO.	KEY NO.	DESCRIPTION	PART NO.
1	Washer	10851Z	26	Nut, Hex 5/16''-18	15X2
2	Washer	17X124	27	Cable, Lifter	24470
3	Pin, Hair	31X6	28	Brace, Hanger	24472Z
4a	Rod, Adjuster 6-¼'' Long For 18 to 20 inch Dia. Rear Wheels	23275Z	29	Bolt, Shoulder	9X14
5a	Bracket, Right Hanger 5½'' Long** For 18 to 20 inch Dia. Rear Wheels	23188Z	30	Arm, Support	23185
6	Nut, Adjustble	21920	31	Bolt, Hex 5/16''-18X1''	1X84
7	Bolt, Carriage*	2X64	32	Washer	17X57Z
8	Support, Lifter*	23184	33	Pin, Pull	21912Z
9	Lifter Assembly*	24260	34	Pin, Cotter	30X20
10	Bracket, Guide	23192Z	35	Clevis	24073
11	Bolt, Hex 1/4''-20X7/8''	1X95	36	Cover, Pulley	23231
12	Grip, Engagement Lever	91573	37	Screw, Tap	26X214
13	Grip, Lifter Latch	23222	38	Belt, Blade Drive	37X40
14	Latch, Lifter	23194Z	39	Guide, Gelt	23751Z
15	Spring, Lifter	164X4	40	Key, Woodruff No. 6	20062
16	Washer	17X53	41	Jackshaft	23180
17	Bracket, Lifter Guide	23193Z	42	Pulley, Jackshaft	20615
18	Nut, Keps 1/4''-20	15X66	43	Pulley, Backside Idler	23238
19	Bolt, Shoulder 3/8''-16	9X13	44	Bolt, Shoulder 3/8''-16X7/8''	9X12
20	Pin, Hair	31X6	45	Idler Assembly, Blade Drive	23179
21	Locknut, Flange 3/8''-16	15X84	46	Rod, Brake	91593Z
22	Locknut, Flange 5/16''-18*	15X88	47	Washer	17X46
23	Washer	17X47Z	48	Rod Assembly, Link	91535Z
24	Clevis, Adjusting	24471Z	49	Link, Engagement	23226Z
25	Pin, Clevis	29X93	50	Rod, Engagement Link	2328Z
			51	Spring, Blade Drive	165X43
			52	Jackshaft, Short	20616
			53	Spacer	23213Z
			54	Pulley, Jackshaft	23739
			55	Pad Assembly, Brake	91592
			56	Belt, Cross Drive	37X22
			57	Idler Pulley	23211

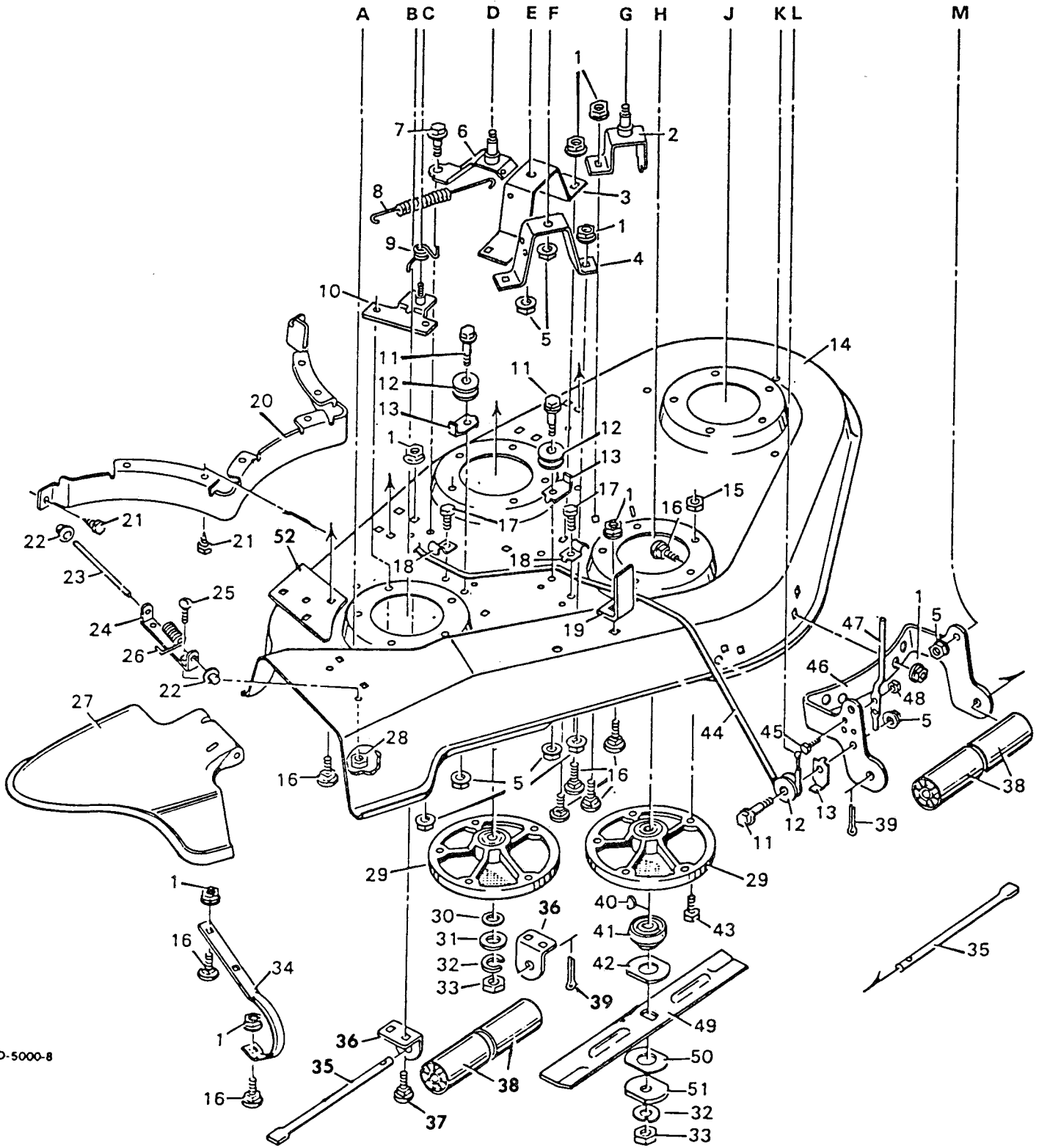
\* NOTE: Parts that have an asterisk (\*) in the description are included with Mower Housing Assembly on the Lower Half of the mower housing illustration.

\*\* NOTE: These parts are measured from weld pin to weld pin.



# 7-38211 REPLACEMENT PARTS

# MOWER HOUSING LOWER HALF



D-5000-8

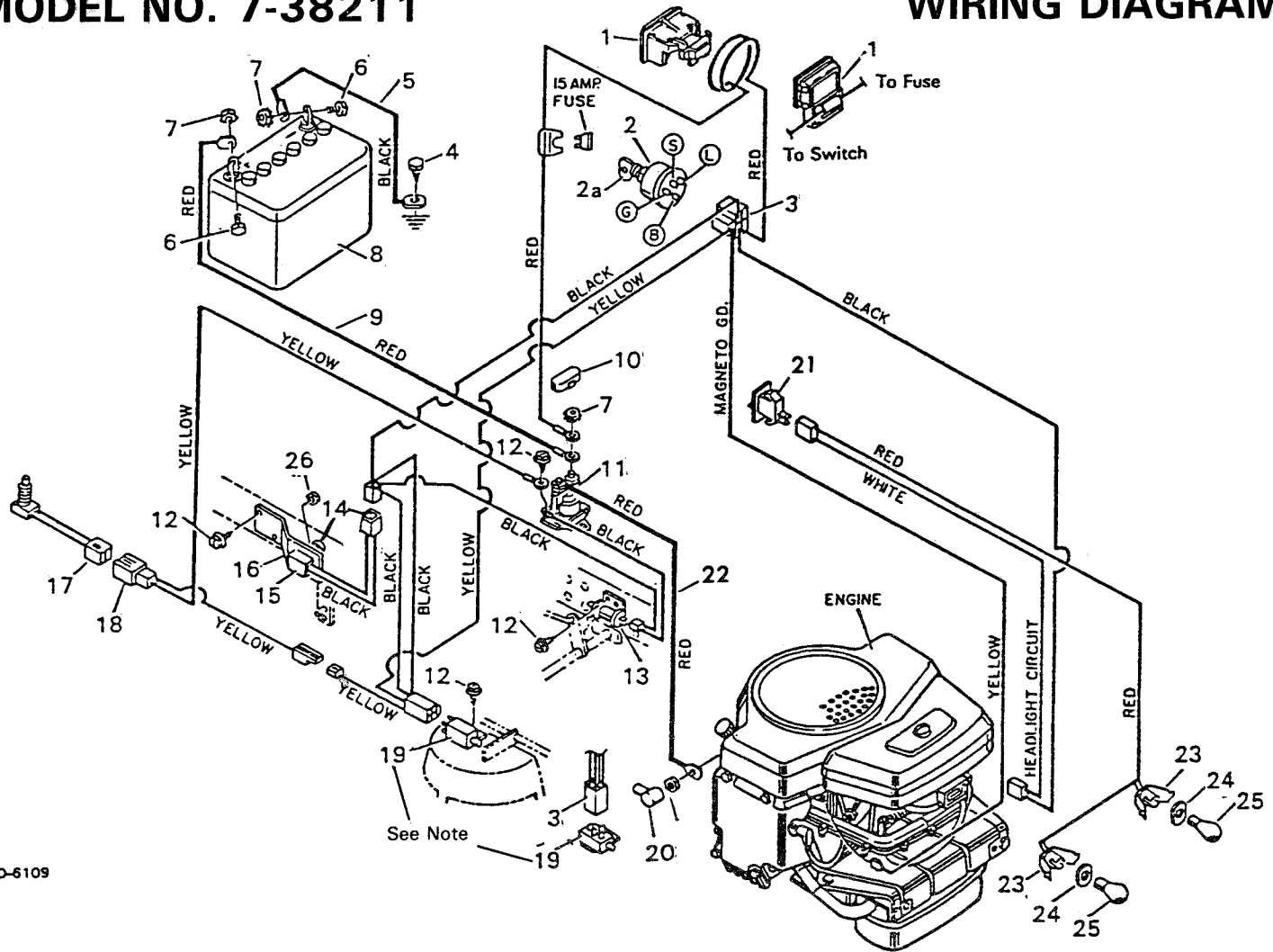
**MOWER HOUSING LOWER HALF****7-38211  
REPLACEMENT PARTS**

KEY NO.	DESCRIPTION	PART NO.	KEY NO.	DESCRIPTION	PART NO.
1	Nut, Flange 5/16''-18*	15X79	27	Deflector, Mower Housing	23224
2	Idler Assembly, Fixed*	23177	28	Locknut, Hex No. 10-24*	15X81
3	Support, Idler*	23240	29	Housing, Jackshaft	24384
4	Support, Engagement Link*	23241	30	Washer	17X140
5	Locknut, Flange 3/8''-16	15X84	31	Washer	17X141
6	Idler Assembly, Cross Drive	23178Z	32	Lockwasher	18X27
7	Bolt, Shoulder 3/8''-16X7/8''	9X15	33	Nut, Hex 1/2''-20	15X72
8	Spring, Cross Drive	165X60	34	Skid*	24070
9	Spring, Blade Brake Torsion	166X29	35	Axle, Roller	23186Z
10	Bracket & Pin Assembly	91591Z	36	Support, Rear Roller*	23208
11	Bolt, Shoulder 3/8''-16	9X13	37	Bolt, Carriage 5/16''-18X2-5/8''*	2X53
12	Pulley, Nylon	23187	38	Roller	23203
13	Guide, Cable	23191Z	39	Pin, Cotter	30X49
14	Housing Assembly, Mower	24261	40	Key, Woodruff No. 6	20062
15	Locknut, Flange 5/16''-18*	15X88	41	Adapter, Blade	54211
16	Bolt, Carriage 5/16''-18X3/4''*	2X64	42	Washer	24614Z
17	Screw, Tap	26X214	43	Bolt, Hex 5/16''-18X3/4''	1X84
18	Guide, Cable	21953Z	44	Cable, Lifter	24470
19	Deck Stop*	23782	45	Bolt, Hex 1/4''-20X7/8''	1X95
20	Baffle, Mower Housing*	23207	46	Support, Front Roller*	24009
21	Screw	26X195	47	Guide, Curved Belt	24071Z
22	Cap, Push On	28X23	48	Locknut, Flange 1/4''-20	15X89
23	Rod, Deflector	23173Z	49	Blade	24458HT
24	Bracket, Deflector*	23172	50	Washer	21673Z
25	Screw, Machine No. 10-24X5/8''*	4X21	51	Washer, Blade	20663Z
26	Spring, Torsion	166X4	—	Housing Complete, Mower	403134
			52	Base Plate	24012

\* NOTE: Parts that have an asterisk (\*) in the description are included with Mower Housing Complete (Top & Lower Halves).

**MODEL NO. 7-38211**

**WIRING DIAGRAM**



D-6109

KEY NO.	DESCRIPTION	PART NO.	KEY NO.	DESCRIPTION	PART NO.
1	Ammeter Assembly*	90829	15	Shield, Switch	91071
2	Switch and Key, Ignition	21064PA	16	Leaf Spring, Switch	91561
2a	Key Only	20729	17	Switch, Seat Sensor	91031
—	Fuse, Auto Type	54212	18	Wire Harness-Seat Switch	250X10
3	Wire Harness	250X9	19	Switch, Mower Housing**	91032
4	Screw	26X49	20	Boot, Cable	24196
5	Cable, Battery Ground	24X6	21	Switch, Light	90647
6	Bolt, Hex 1/4"-20X5/8"	1X38	22	Cable (Solenoid to Engine)	24X12
7	Nut, Keps 1/4"-20	15X66	23	Socket Assembly, Light	90155
8	Battery 12-Volt 30-AMP Acid, Battery (Electrolyte)	21075 90665	24	Washer, Light Socket	90228
9	Cable, Battery (Solenoid to battery)	24X25	25	Bulb, Lamp	90084
10	Cover, Solenoid	90565	—	Strap, Tie	32618
11	Solenoid	24285	—	Clamp, Wire	21980
12	Screw, No. 10X1/2"	26X233	26	Nut, Hex 3/8"-24	15X33
13	Switch, Clutch Limit	21549			
14	Switch, Momentary SP-NC	91070			

\* NOTE: Two Ammeters (Key No. 1) are shown in the diagram. Your unit will only have one ammeter. Both ammeters are shown because of the difference in appearance and how they connect.

\*\* NOTE: Two Attachment Switches (Key No. 19) are shown in the diagram. Your unit will only have one switch. Both switches are shown because of the difference in appearance and how they connect.