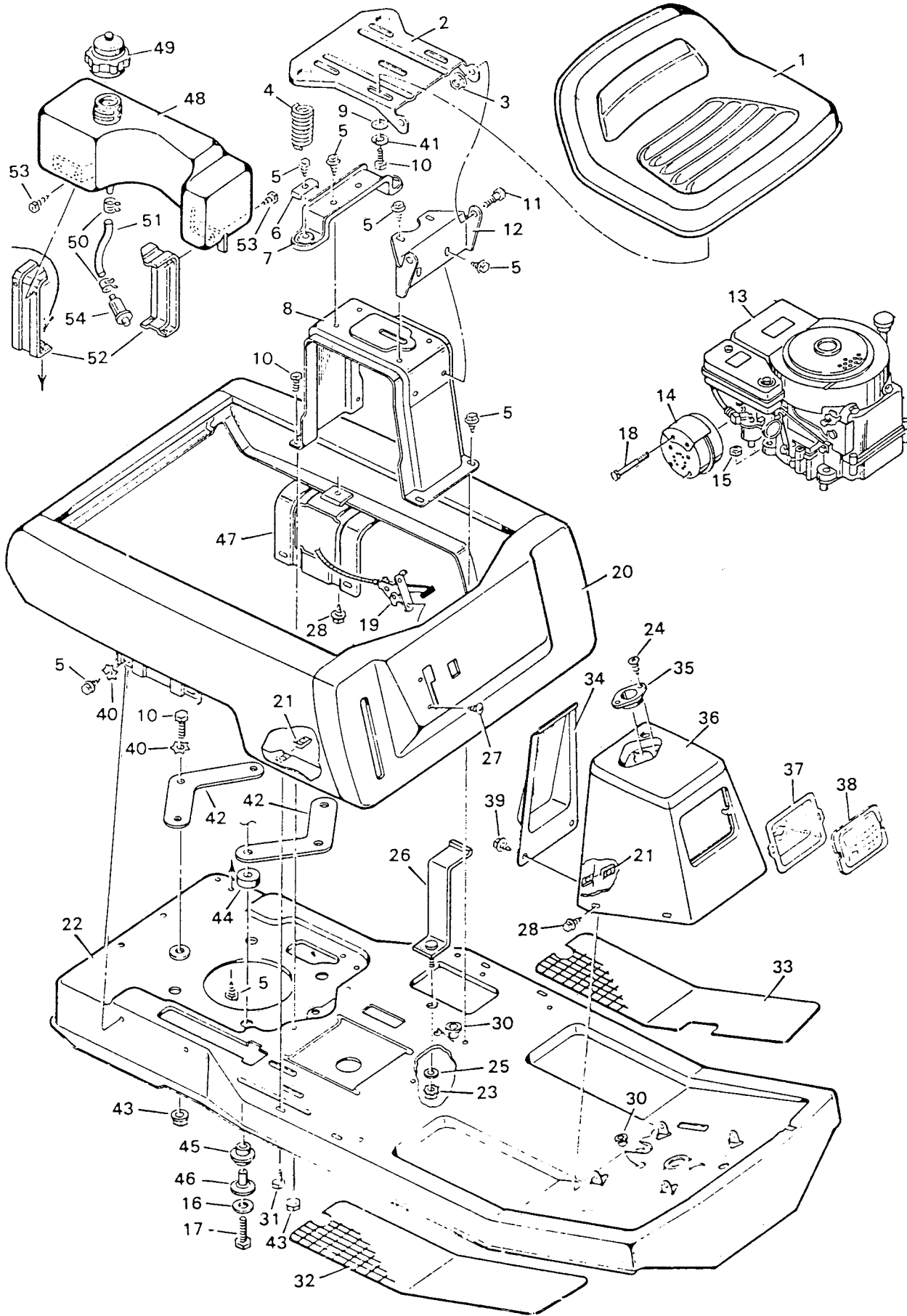


MODEL NO. 7-35500

FRAME & BODY

D-4563-3



FRAME & BODY

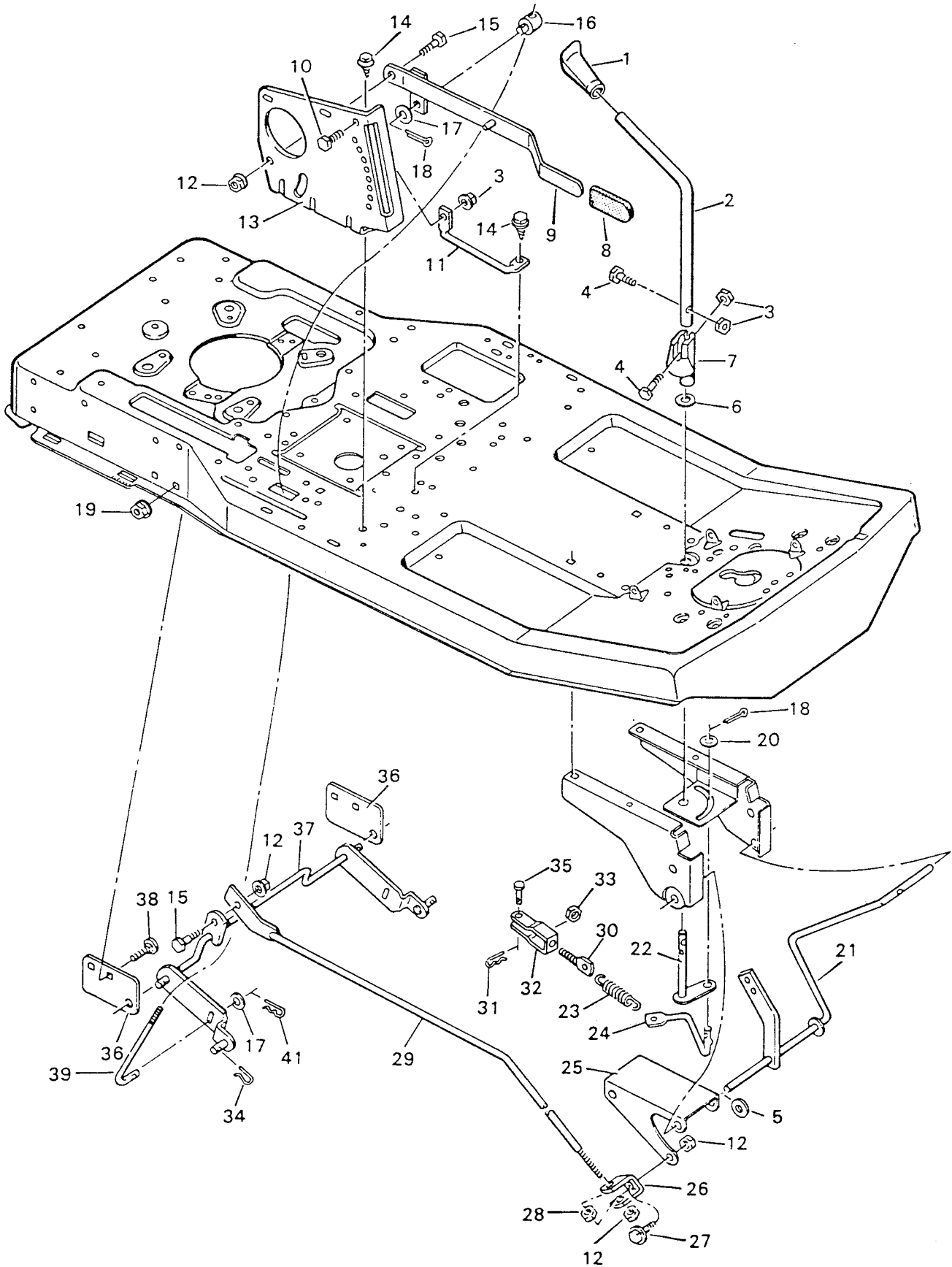
MODEL NO. 7-35500

KEY NO.	DESCRIPTION	PART NO.
1	Seat	91039
2	Seat Mount	55765
3	Locknut, Flange 3/8"-16	15X84
4	Seat Spring	164X17
5	Screw	26X49
6	Spring Retainer	90014
7	Spring Hanger	55062
8	Seat Support	55741
9	Washer	17X47Z
10	Hex Bolt 5/16"-18x5/8"	1X45
11	Shoulder Bolt 3/8"-16X7/8"	9X30
12	Seat Hinge	55061
13	Engine	+
14	Muffler	90330PA
15	Hex Nut	15X90Z
16	Washer	10851Z
17	Bolt, Engine Mount 5/16"-24X7/8"	1X107
18	Bolt, Hex 5/16"-18X3 3/8"	1X118
19	Control & Cable	55330PA
20	Rear Body Assembly, For Light	55678
21	Nut, Tinnerman 1/4"-20	28X18
22	Frame Channel	55941
23	Nuts, Keps 1/4"-20	15X76
24	Screw, Tap	26X201
25	Washer	17X124
26	Clamp, Battery	55253Z
27	Screw, Tapping	26X159
28	Screw, Tapping	26X214
30	Bushing	21268
31	Bolt, Hex 1/4"-20X5/8"	6X74
32	Mat, Running Board (R.H.)	55102
33	Mat, Running Board (L.H.)	55103
34	Console Plate	55023
35	Bearing, Steering Post	56022
36	Console Assembly, with light	55932
37	Reflector*	90009C
38	Lens*	90082
39	Screw, Machine 1/4"-20X1/2"	4X24
40	Washer	19X6
41	Lockwasher	18X16
42	Strap, Engine Mount	90023Z
43	Locknut, Flange	15X88
44	Mount, Rubber Load	24589
45	Mount, Rubber Rebound	24590
46	Tube, Spacer	24591
47	Rear Body Support	55017Z
48	Tank, Fuel	55805
49	Cap, Fuel	55990
50	Clamp, Hose	91174
51	Fuel Line	91022
52	Bracket, Tank	55806E
53	Screw	26X213
54	Filter, Fuel	+
+	Parts List	F-87505
-	Instruction Book	F-87504
-	Parts Bag	55968
-	Decal-Shroud R.H./	58X852
-	Decal-Shroud L.H.	58X853
-	Decal-Console R.H.	51X576
-	Decal-Console L.H.	51X577

+ The engine model, type, and code numbers are on the engine. All parts for the engine are available from a Briggs & Stratton authorized Service Center. See "Engines, Gasoline" or "Gasoline Engines" in the yellow pages of the telephone directory.

MODEL NO. 7-35500

BLADE HOUSING SUSPENSION

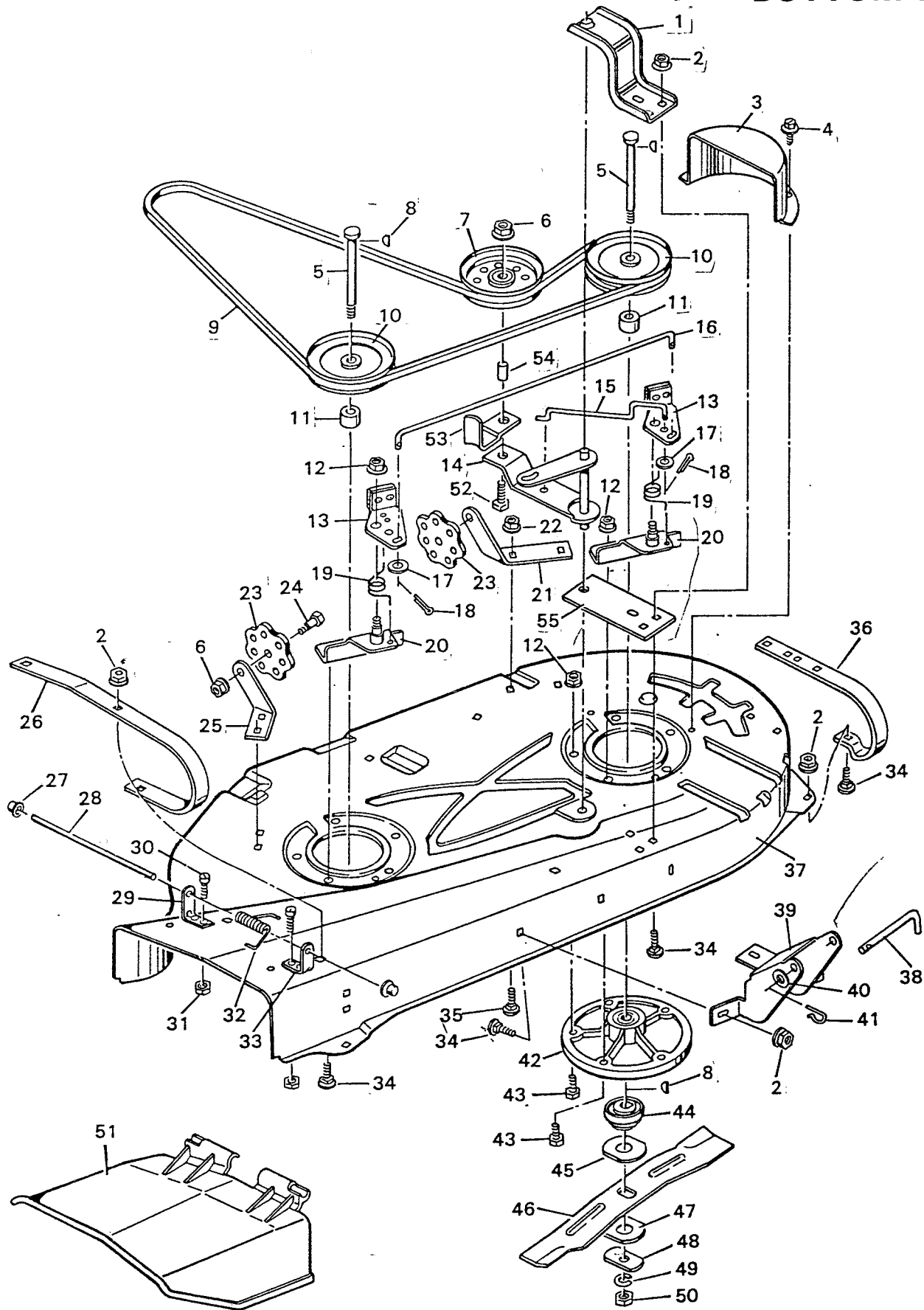


**BLADE HOUSING
SUSPENSION****MODEL NO. 7-35500**

KEY NO.	DESCRIPTION	PART NO.
1	Grip, Blade Control Lever	55449
2	Lever, Blade Control	55927Z
3	Locknut, Flange ¼''-20	15X89
4	Bolt, Hex ¼''-20	1X76
5	Washer	17X122Z
6	Washer	17X67Z
7	Cam, PTO	55853
8	Grip, Lifter	21249
9	Lever Assembly, Lifter	55356
10	Bolt, Hex ¼''-20X5/8''	1X38
11	Strut	55348
12	Locknut, Flange 3/8''-16	15X84
13	Plate, Index	55365
14	Screw	26X49
15	Bolt, Shoulder 3/8''-16	9X9Z
16	Nut, Adjuster	21920
17	Washer	17X53Z
18	Pin, Cotter	30X20
19	Nut, Hex Flange 5/16''-18	15X88
20	Washer	17X48
21	Lever Assembly	55656
22	Rod & Arm Assembly	55930
23	Spring, Extension	165X7
24	Link, Front Deck	55857
25	Bracket, Front Suspension	55139
26	Clevis	55298
27	Bolt, Shoulder 3/8''-16	9X17
28	Nut, Hex Jam 3/8''-16	15X73
29	Rod Assembly	55957
30	Rod, Adjuster	55856Z
31	Pin, Hair	31X6
32	Clevis, Adjuster	24471Z
33	Nut, Hex 5/16''-18	15X2
34	Pin, Hair	31X2
35	Pin, Clevis	29X99
36	Plate, Mounting	55270
37	Rod Assembly, Suspension	55845
38	Bolt, Carriage	2X53Z
39	Rod, Lifter	24839Z
41	Pin, Hair	31X4

MODEL NO. 7-35500

**BLADE HOUSING
BOTTOM HALF**



BLADE HOUSING BOTTOM HALF

MODEL NO. 7-35500

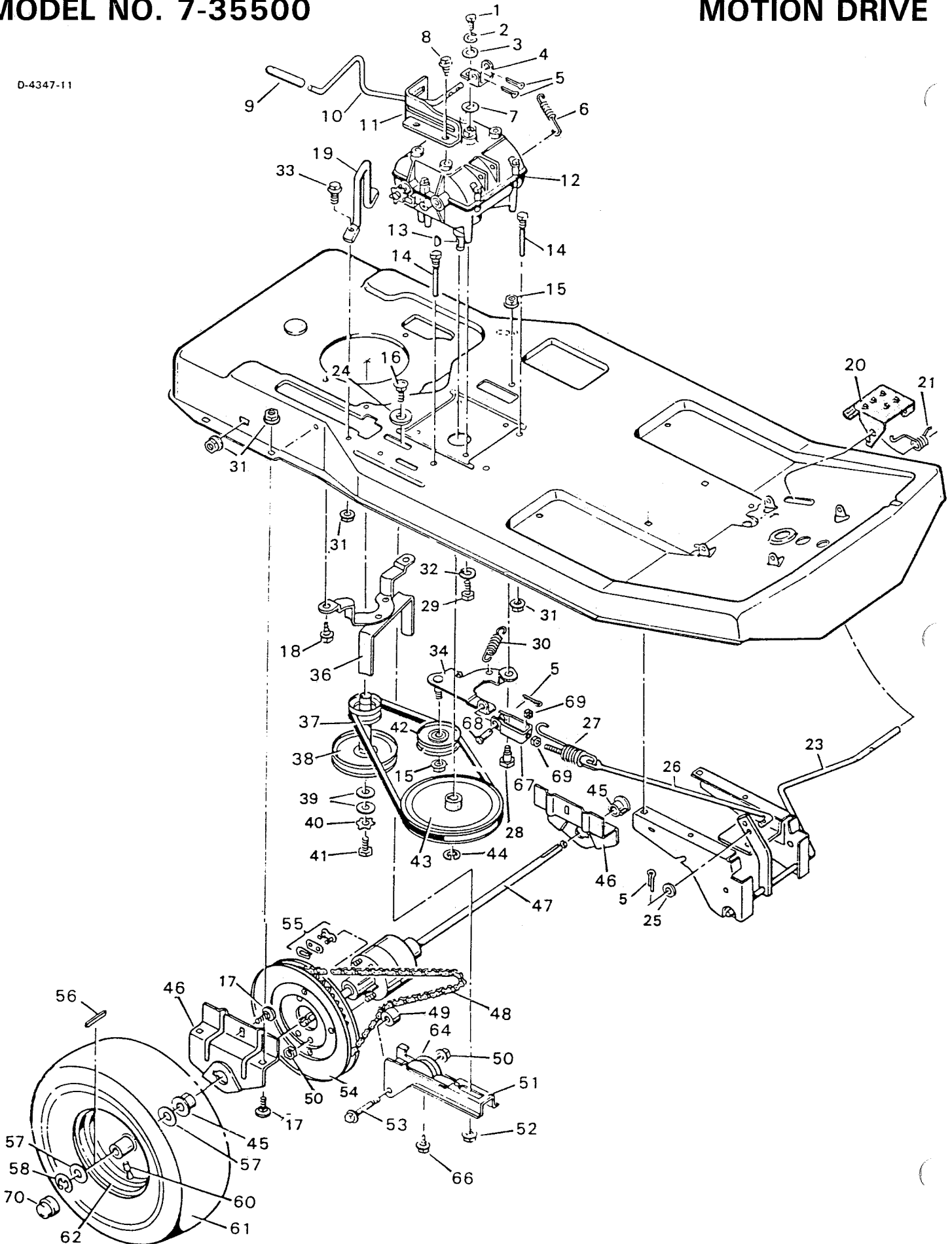
KEY NO.	DESCRIPTION	PART NO.
1	Bracket, Idler Support	55849
2	Locknut, Flange ¼''-20*	15X82
3	Cover, Pulley	55896
4	Screw	26X214
5	Mandrel	21024
6	Locknut, Flange 3/8''-16	15X41
7	Pulley, Idler	90118
8	Key, Woodruff #6	20062
9	Belt, Blade Drive	37X56
10	Pulley, Mandrel	23739
11	Spacer, Bearing	55844Z
12	Locknut, Flange 5/16''-18	15X88
13	Brake Pad Assembly	55868
14	Idler Arm Assembly	56013Z
15	Rod, Left Brake	55851Z
16	Link, Brake	55858Z
17	Washer	17X47Z
18	Pin, Cotter	30X20
19	Spring, Torsion	166X27
20	Bracket and Stud Assembly	55860
21	Bracket, Left*	55842
22	Nut, Flange 5/16''-18*	15X79Z
23	Plate, Adjusting	55344Z
24	Bolt, Shoulder	9X4
25	Bracket, Right*	55841
26	Skid, Right*	90392
27	Push On Cap	28X23
28	Rod, Deflector	21198Z
29	Bracket, Rear Deflector*	21187
30	Screw, Machine #10-24X5/8''*	4X21
31	Locknut #10-24	15X81
32	Spring, Torsion	166X4
33	Bracket, Front Deflector*	21186
34	Bolt, Carriage*	2X39
35	Bolt, Carriage*	2X53Z
36	Skid, Left*	90353
37	Blade Housing Assembly	55775
38	Pin, Pull	90828Z
39	Bracket, Front*	55854
40	Washer	17X67Z
41	Pin, Hair	31X4
42	Housing, Mandrel	24384
43	Bolt, Hex 5/16''-18X1''	1X84
44	Adapter, Blade	54211
45	Washer	24614Z
46	Blade (2 required)	20930HT
47	Washer	21673Z
48	Washer	20663Z
49	Lockwasher	18X27
50	Nut, Hex ½''-20	15X72
51	Deflector, Chute	21154
52	Bolt, Hex ½''-13x1 ½''	1X127
53	Guide, Spring Belt	56012
54	Spacer	55895
55	Plate, Idler Support	56028Z
—	Complete Replacement Housing (Top & Bottom)	403213

* The part is also included with key number 37.

MODEL NO. 7-35500

MOTION DRIVE

D-4347-11



MOTION DRIVE**MODEL NO. 7-35500**

KEY NO.	DESCRIPTION	PART NO.	KEY NO.	DESCRIPTION	PART NO.
1	Hex Bolt 1/4''-20x5/8''	1X82	36	Belt Guide Assembly	55984Z
2	Spring Lockwasher	18X32	37	Drive Belt, Traction	37X38
3	Washer	17X37Z	38	Stack Pulley Assembly	55960Z
4	Transmission Yoke	55710Z	39	Washer	17X103
5	Cotter Pin	30X20	40	Washer	19X35
6	Extension Spring, Brake Return	165X28	41	Hex Bolt 7/16''-20X1''	1X80
7	Washer	17X134	42	Idler Pulley	91178
8	Screw, Tapping	26X207	43	Pulley, Transmission	55101
9	Grip	55321	44	Retainer Ring	11X7
10	Shift Lever	55740Z	45	Axle Bearing, Flange	55597
11	Transmission Gate	55263Z	46	Bracket, Rear Axle	55268
12	Transmission, Peerless 708B	+	47	Differential, Peerless 100-055	+
13	Woodruff Key #9	20697	48	Roller Chain	55269
14	Guide Screw	20619	49	Roller**	90176
15	Locknut, Flange 3/8''-16	15X84	50	Locknut, Flange 5/16''-18**	15X88
16	Carriage Bolt 3/8''-16X3/4''	2X56	51	Chain Adjustment Bracket	55194
17	Carriage Bolt 5/16''-18X5/8''	2X53Z	52	Hex Nut, Flange 3/8''-16	15X68Z
18	Screw, Tapping	26X49	53	Shoulder Bolt 5/16'' -18X1.72***	9X22
19	Chain Clamp	23553Z	54	Sprocket & Chain Guard, 50 Tooth	55621
20	Pedal, Clutch/Brake	55395	55	Connecting Link	407059
21	Torsional Spring, Pedal	166X18	56	Key, Square 3/16''	21553
23	Lever Assembly, Brake/Clutch	55656	57	Washer***	17X160
24	Washer	17X67Z	58	E-Ring	11X3
25	Washer	17X47Z	59	Washer***	17X115Z
26	Rod, Brake/Clutch	55495Z	60	Valve Stem & Cap	24373
27	Extension Spring, Brake	165X42	61	Tire Only*	24393
28	Shoulder Bolt 3/8''-16X5/8''	9X30	62	Wheel Only	24391E
29	Hex Bolt 5/16''-18X3/4''	1X91	64	Guide Block**	23403
30	Extension Spring, Clutch	165X39	66	Screw, Tapping**	26X214
31	Hex Nut, Flange 5/16''-18	15X79Z	67	Clevis	21915Z
32	Lockwasher	18X15	68	Clevis Pin	29X99
33	Hex Bolt 5/16''-18X5/8''	1X45	69	Hex Nut	15X2
34	Idler Arm Assembly	55067Z	70	Hub Caps	24582

+ NOTE: Replacement parts for the transmission or differential are available from a Tecumseh Authorized Service Center. See "Engines, Gasoline" or "Gasoline Engines" in the yellow pages of the telephone directory.

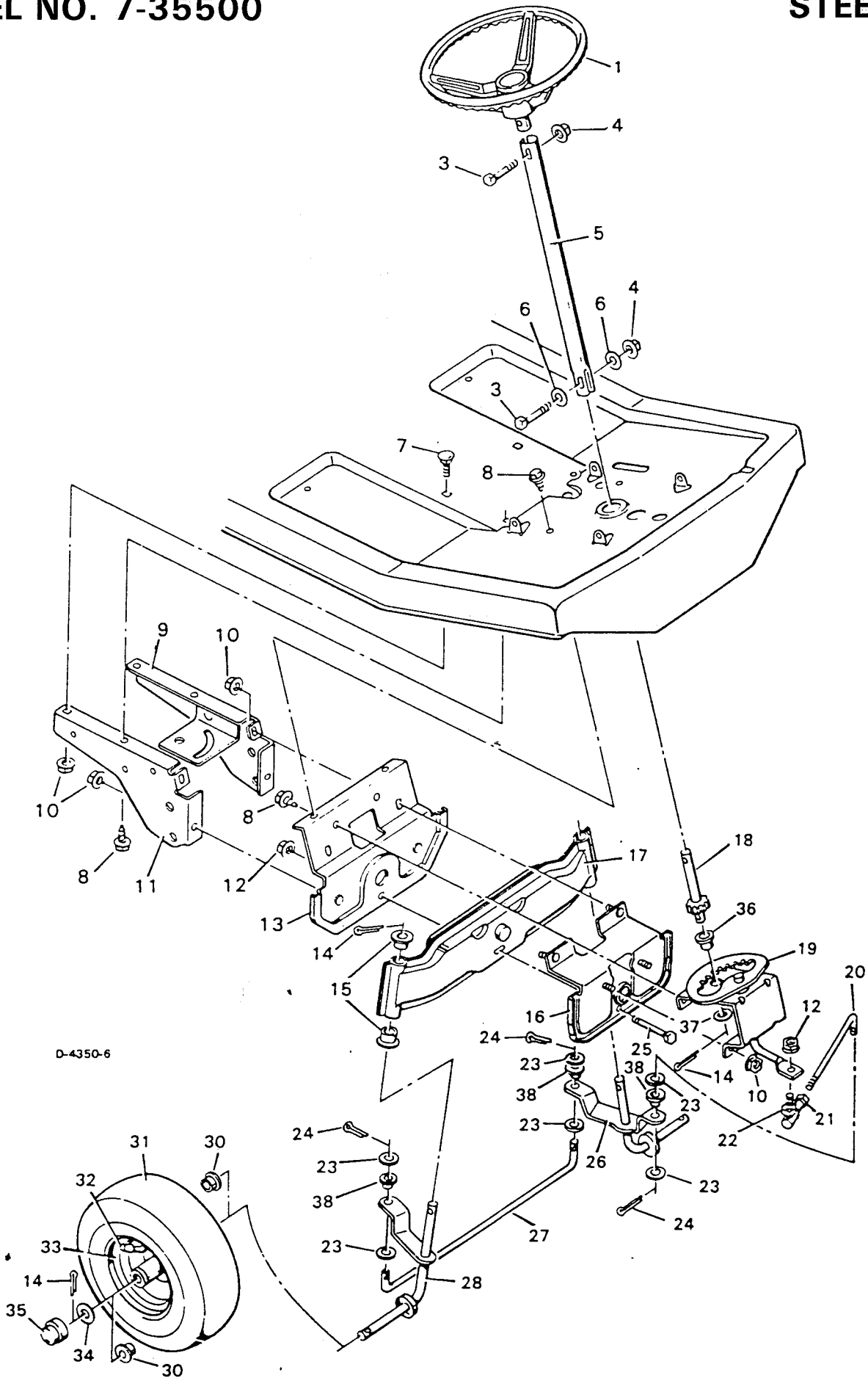
* NOTE: For replacement parts, always give the name on the side of the tire so that the tire pattern will be the same.

** NOTE: These parts are included with the chain adjusting bracket, key no. 51.

*** NOTE: If equipped with plastic hub caps, use washers 17X115 on the outside of the wheels.

MODEL NO. 7-35500

STEERING



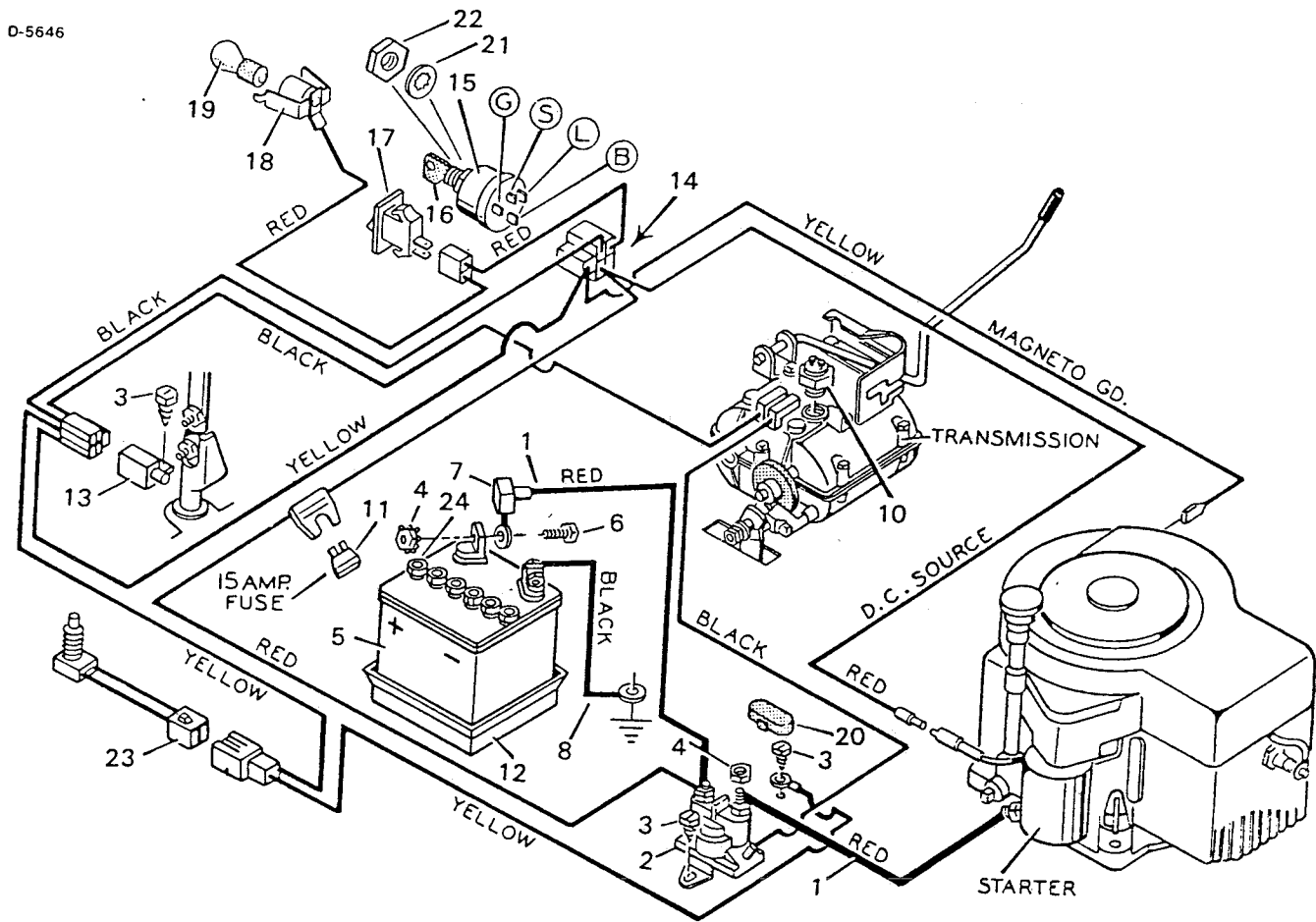
STEERING**MODEL NO. 7-35500**

KEY NO.	DESCRIPTION	PART NO.
1	Steering Wheel	90576
3	Hex Bolt 5/16''-18X1 1/2''	1X102
4	Locknut, Flange 5/16''-13	15X88
5	Steering Post	90130C
6	Washer	17X47Z
7	Carriage Bolt 5/16''-18X5/8''	2X53Z
8	Screw, Tapping	26X49
9	Suspension Plate, Left	55384
10	Hex Nut, Flange	15X79Z
11	Suspension Plate, Right	56023
12	Locknut, Flange 3/8''-24	15X87Z
13	Front Axle Support Assembly	55937
14	Cotter Pin	30X49
15	Spindle Bearing	55003
16	Front Axle Hanger Assembly	55655
17	Front Axle Assembly	55024
18	Pinion Gear	55001
19	Sector Assembly	55746
20	Drag Link	55046
21	Hex Nut 3/8''-24	15X61Z
22	Steering Ball Joint	21031
23	Washer	17X53Z
24	Cotter Pin	30X20
25	Hex Bolt 3/8''-24X2 3/8''	1X69
26	Left Spindle Assembly	55381
27	Tie Rod	55026
28	Right Spindle Assembly	55380
30	Bearing	55598
31	Tire Only*	24394
32	Valve Stem & Cap	24373
33	Wheel Only	24364E
34	Washer	24583
35	Hub Cap	24582
36	Bearing	55168
37	Washer	17X100Z
38	Bushing, Nylon	55547

*When ordering replacement parts, specify the brand name of the tire to insure that tread patterns on the tire match.

MODEL NO. 7-35500

WIRING DIAGRAM



KEY NO.	DESCRIPTION	PART NO.	KEY NO.	DESCRIPTION	PART NO.
1	Cable, Battery	24X24	14	Wiring Harness, with light	250X5
2	Solenoid	24285	-	Wiring Harness, without light	250X6
3	Screw	26X233	15	Switch	21064
4	Nut, Locknut 1/4"-20	15X66	16	Key Only	20729
5	Battery	54141	17	Light Switch +	90647
-	Electrolyte (Battery Acid)	90665	18	Light Socket	90155
6	Bolt, Hex 1/4"-20X5/8"	1X38	19	Light Bult +	90084
7	Cover, Battery Terminal	54148	20	Solenoid Cap	90565
8	Cover, Ground Battery	24X3	21	Washer, Shakeproof	19X40
10	Limit Switch, Transmission	23479	22	Nut, Hex	15X105
11	Fuse, 15 AMP	54212	23	Switch, Seat Sensor	91031
12	Tray, Battery	55792	24	Caps, Battery Vent	54150
13	Limit Switch	91032	-	Tie, Wire Seat*	55938
			-	Clip, Wire Adhesive*	55939
			-	Clamp, Wire*	21980

* Part is not shown.

+ Part only used on models with lights.