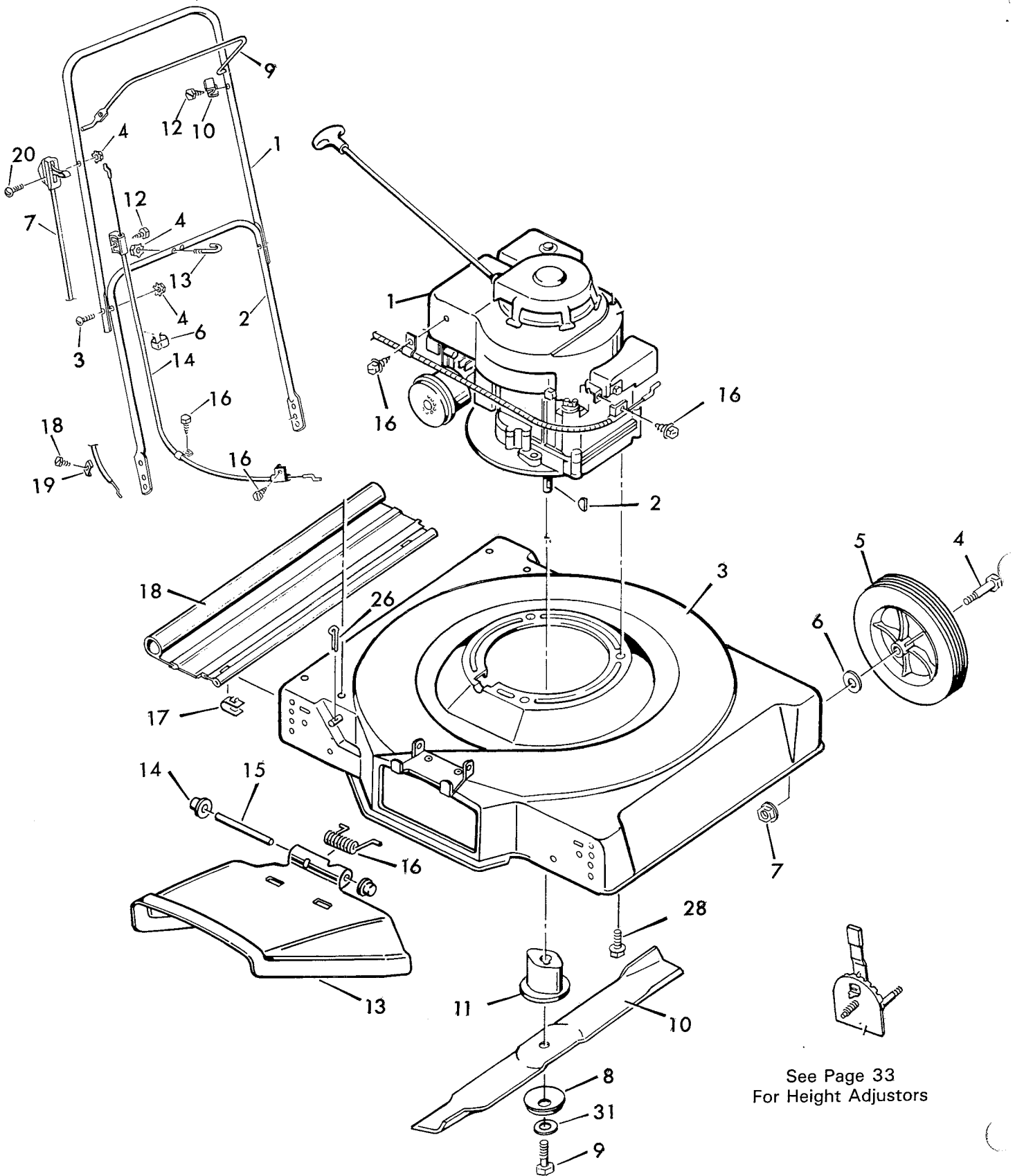


7-22251 WITH HEIGHT ADJUSTORS 22" MOWER HOUSING 7-22211 ECONOMY PACK ILLUSTRATION



7-22251 — 22"

7-22211 — 22"

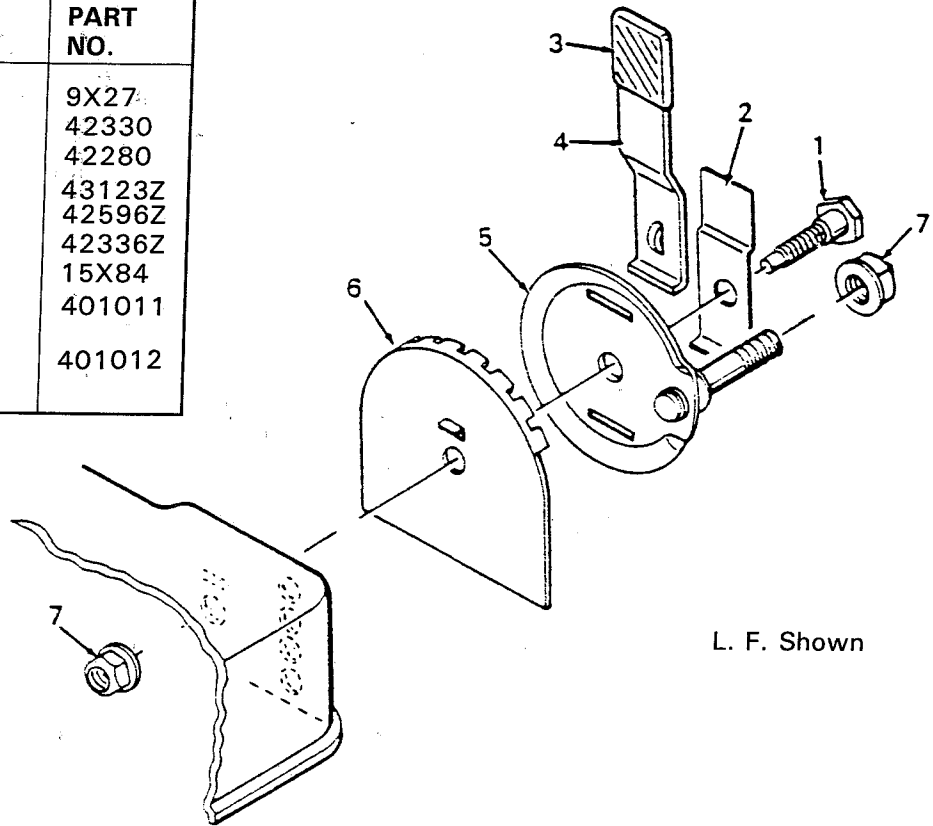
KEY	DESCRIPTION	7-22251	7-22211
1	Engine	—	—
2	Woodruff Key	20062	20062
3	Housing-for Non-folding Handle	70081	70081
4	Axle Bolt		9X10Z
5	Wheel and Tire	20270	20270
6	Washer		10851Z
7	Flange Locknut		15X68Z
8	Blade Washer	17X137	17X137
9	Hex Bolt	1X68	1X68
10	Blade	20046	20046
11	Blade Adapter	42734	42734
13	Chute Deflector	42919	42919
14	Push On Cap	28X42	28X42
15	Pivot Pin	215X11Z	215X11Z
16	Spring	166X5	166X5
17	Retainer	42743	42743
18	Rear Guard	42747	42747
26	Cotter Pin	30X35	30X35
28	Engine Bolt	25X6	25X6
31	Washer	17X124	17X124
	Instruction Book	F-87402	F-87402
	Parts Bag	42922	42921
	Grass Catcher (Not Shown)	7-24065	7-24065

HANDLE PARTS LIST

KEY NO.	PART DESCRIPTION	NO.
1	Upper Handle	42939C
2	Lower Handle	42891C
3	Bolt	3X136Z
4	Keps Nut	15X66
6	Cable Retainer, Metal	42950
7	Throttle Control, Slide	42949
9	Engine Stop Lever	42764C
10	Handle Stop	42765Z
12	Screw	26X220
13	U-Bolt	42896Z
14	Engine Stop Cable	42569
16	Screw	26X234
18	Screw	26X181
19	Clamp	20073
20	Screw	3X105

Wheel Adjuster Assembly For 7-22251, 7-22211, 7-22261, 7-22651 & Specials of These Murray Models

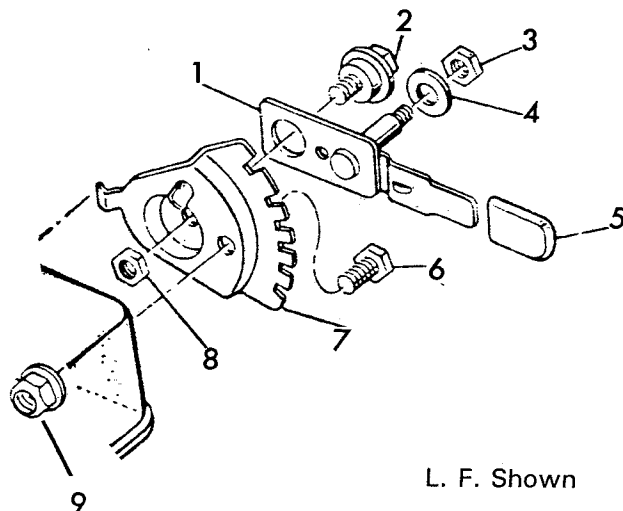
KEY NO.	DESCRIPTION	PART NO.
1	Shoulder Bolt	9X27
2	Spring	42330
3	Grip	42280
4	Adjuster Lever	43123Z
5	Wheel Adjuster Bracket	42596Z
6	Index Plate	42336Z
7	Flange Nut	15X84
1-7	Wheel Adjuster Assembly Right Front or Left Rear	401011
1-7	Wheel Adjuster Assembly Left Front or Right Rear	401012



L. F. Shown

Wheel Adjuster Assembly For 7-21951, & Specials of This Model

KEY NO.	DESCRIPTION	PART NO.
1	Adjuster Lever, Rear Bagger	42757
2	Shoulder Bolt	9X26
3	Hex Nut	15X84
4	Washer	17X102Z
5	Grip	20065
6	Hex Bolt	1X85
7	Index Plate-LF,RR	42753Z
	Index Plate-RF,LR	42754Z
8	Hex Nut	15X97
9	Flange Nut	15X68Z
1-9	Height Adj. Ass'y, Rear Bagger (For right front or left rear)	400275
	Height Adj. Ass'y, Rear Bagger (For left front or right rear)	400276



L. F. Shown