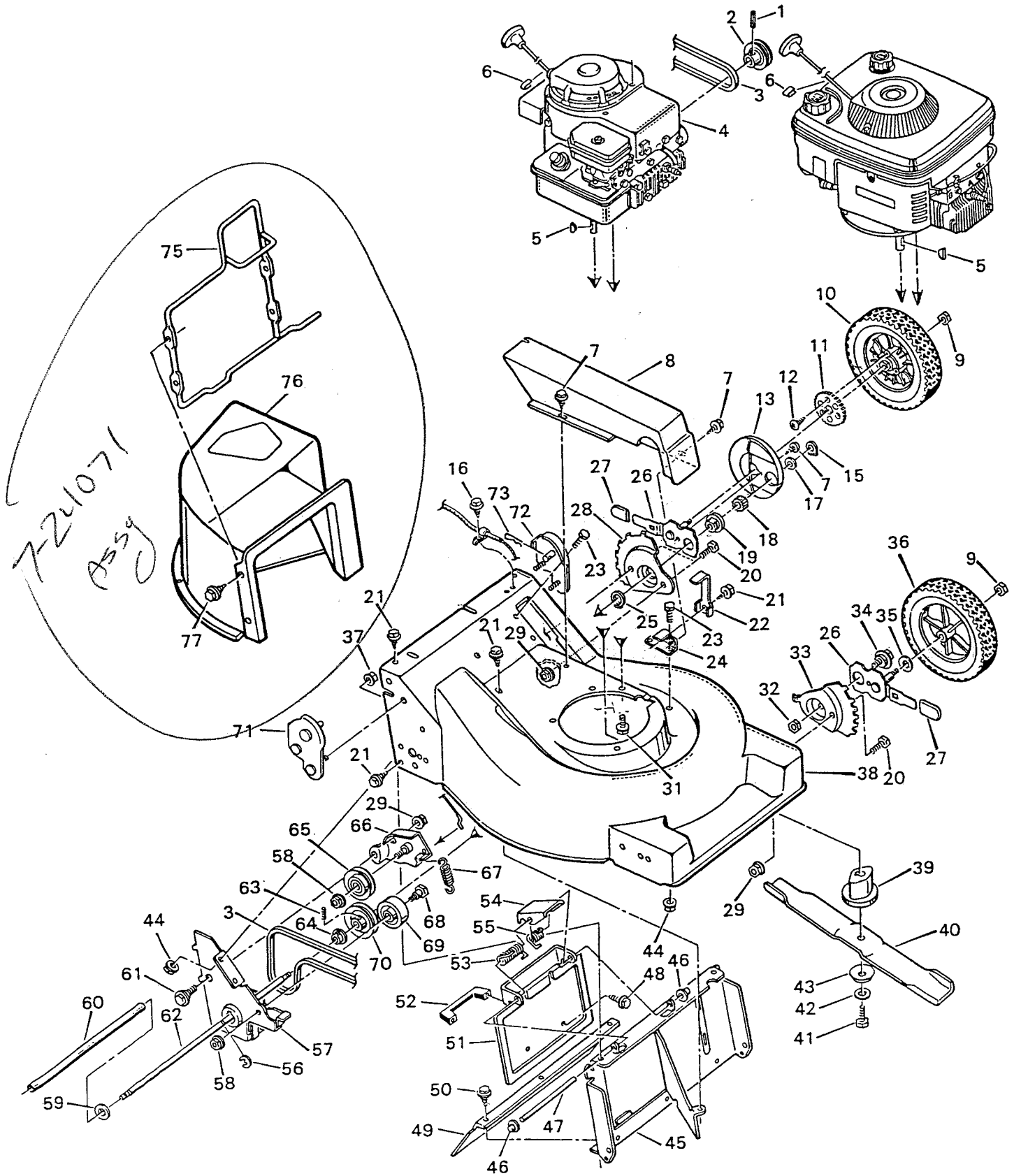


7-21981

REAR BAGGER



REAR BAGGER PARTS LIST

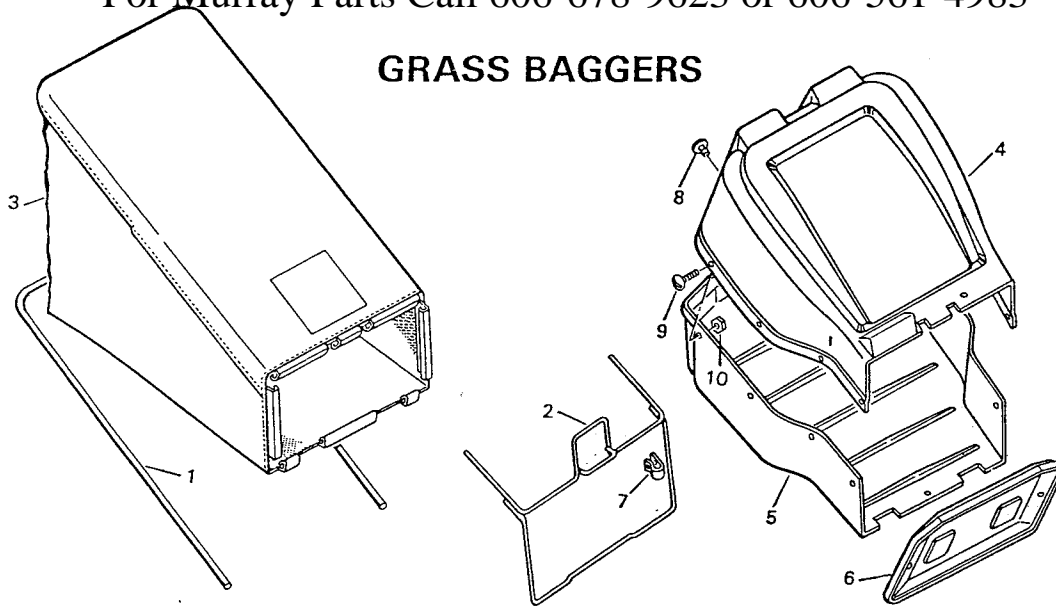
7-21981

KEY NO.	DESCRIPTION	MODEL NO.	KEY NO.	DESCRIPTION	MODEL NO.
1	Pulley, Spring	32X64	41	Bolt	1X69
2	Pulley, Engine	42493	42	Washer	17X124
3	Belt	37X49	43	Washer, Belleville	17X137
4	Engine*	—	44	Nut, Hex	15X82
5	Key, Woodruff	20062	45	Plate, Rear	43258
6	Stop, Rope	42189	46	Push On Cap	28X42
7	Screw	26X219	47	Pin, Pivot	215X13Z
8	Guard, Belt	42492	48	Screw	26X244
9	Nut, Hex	15X84	49	Deflector, Rear	43263
10	Wheel & Tire, Rear	42699	50	Screw	26X245
11	Gear, Spur	42470	51	Door, Rear	43261
12	Screw	26X232	52	Handle, Door	43256
13	Cover, Dust	42695	53	Spring, Torsion	166X31
15	Ring, Retainer	11X15	54	Latch	42004
16	Screw	26X185	55	Spring, Torsion	166X30
17	Washer	17X52Z	56	Ring, Retaining	11X16
18	Pinion Assembly	43238	57	Bracket	42458E
19	Bearing, Height Adjuster	42694	58	Nut, Hex	15X88
20	Bolt	1X85	59	Washer	17X152Z
21	Screw	26X214	60	Cover, Axle	42464
22	Belt Guide, Upper	42494Z	61	Bolt	9X15
23	Bolt	1X38	62	Axle, Drive	42453
24	Belt, Guide, Lower	42497	63	Screw, Set ¼"-20X5/8"	400286
25	Ring, Retainer	11X14	64	Bearing, Drive Axle	42849
26	Arm, Height Adjuster	42757	65	Pulley, Idler	42461
27	Grip	20065	66	Arm, Idler	42455Z
28	Plate, Left Rear Index	42693Z	67	Spring	165X27
—	Plate, Right Rear Index	42692Z	68	Bolt	9X1
29	Nut	15X68Z	69	Idler Assembly	42462
31	Bolt	25X6	70	Pulley	42454
32	Nut, Hex	15X97	71	Bracket, Right Handle	43192
33	Plate, Left Front Index	42753Z	72	Bracket, Left Handle	43193
—	Plate, Right Front Index	42754Z	73	Pin, Hair	31X5
34	Bolt	9X26	75	Frame Assembly +	43262
35	Washer	17X102Z	76	Side Chute +	43019
36	Wheel & Tire, Front	42173	77	Screw +	26X234
37	Nut, Hex	15X84		Parts Bag	43217
38	Housing Assembly	70096		Parts Bag (Hard Bag)	42952
39	Adapter, Blade	42735		Inst. Book	F-87407
40	Blade	22860HT		Hard Bag Complete	407086

* The engine model, type, and code numbers are on the engine. All parts to the engine are available from a Briggs & Stratton Authorized Service Center. See "Engines, Gasoline" or "Gasoline Engines" in the yellow pages of the telephone directory.

+ Model 7-24071 Side chute conversion kit. This optional accessory gives you the option of discharging the grass to the side.

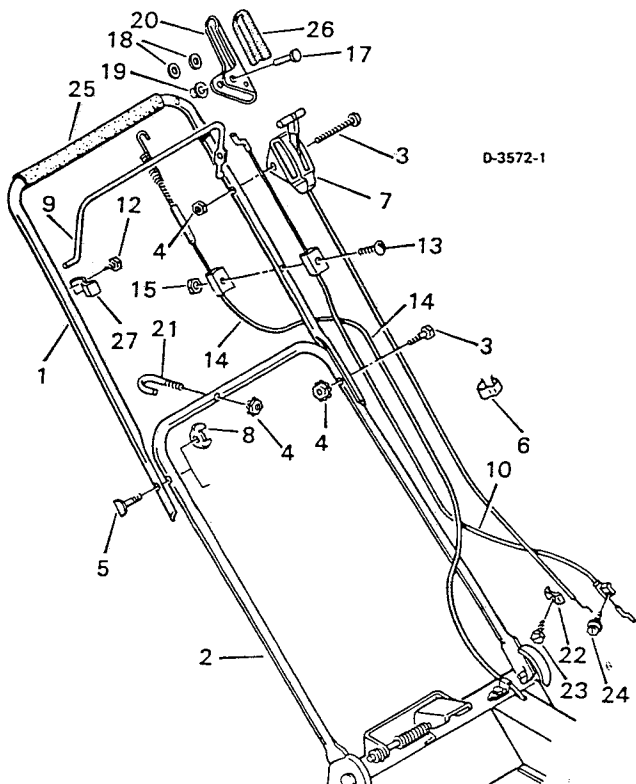
GRASS BAGGERS



KEY NO.	DESCRIPTION	MODEL CLOTH BAG	MODEL HARD BAG
1	Tube, Upper Support	42432	—
2	Frame Assembly, Bag	43264	43264
3	Bag, Black	43267	—
4	Grass Catcher, Top Half	—	43266
5	Grass Catcher, Bottom Half	—	43265
6	Baffle	—	42935
7	Clip	—	192X1
8	Fastener, Panel	—	193X1
9	Screw	—	4X21
10	Nut, Hex	—	15X102

MODEL NO. 7-21981

HANDLE PARTS LIST



KEY NO.	DESCRIPTION	PART NO.
1	Upper Handle	43046C
2	Lower Handle	43189C
3	Bolt 1/4-20X1 3/4"	3X105
4	Keps Nut	15X66
5	Contour Head Bolt	6X73Z
6	Cable Clamp	42950
7	Throttle Control	42879
8	Wingnut	14X83Z
9	Engine Stop Lever	42763C
10	Engine Stop Cable	42941
12	Screw #10X.75"	26X220
13	Screw #10-24X1.75"	3X150
14	Drive Cable	42875
15	Nut	15X102
17	Pivot Pin	42208
18	Spacer	42360
19	Push On Cap	28X42
20	Lever, Drive	43045C
21	U-bolt	42896Z
22	Cable Clamp	42294
23	Screw-Throttle	26X237
24	Screw-Eng. Stop	26X234
25	Grip	42064
26	Grip	43010
27	Lever Stop	43044Z