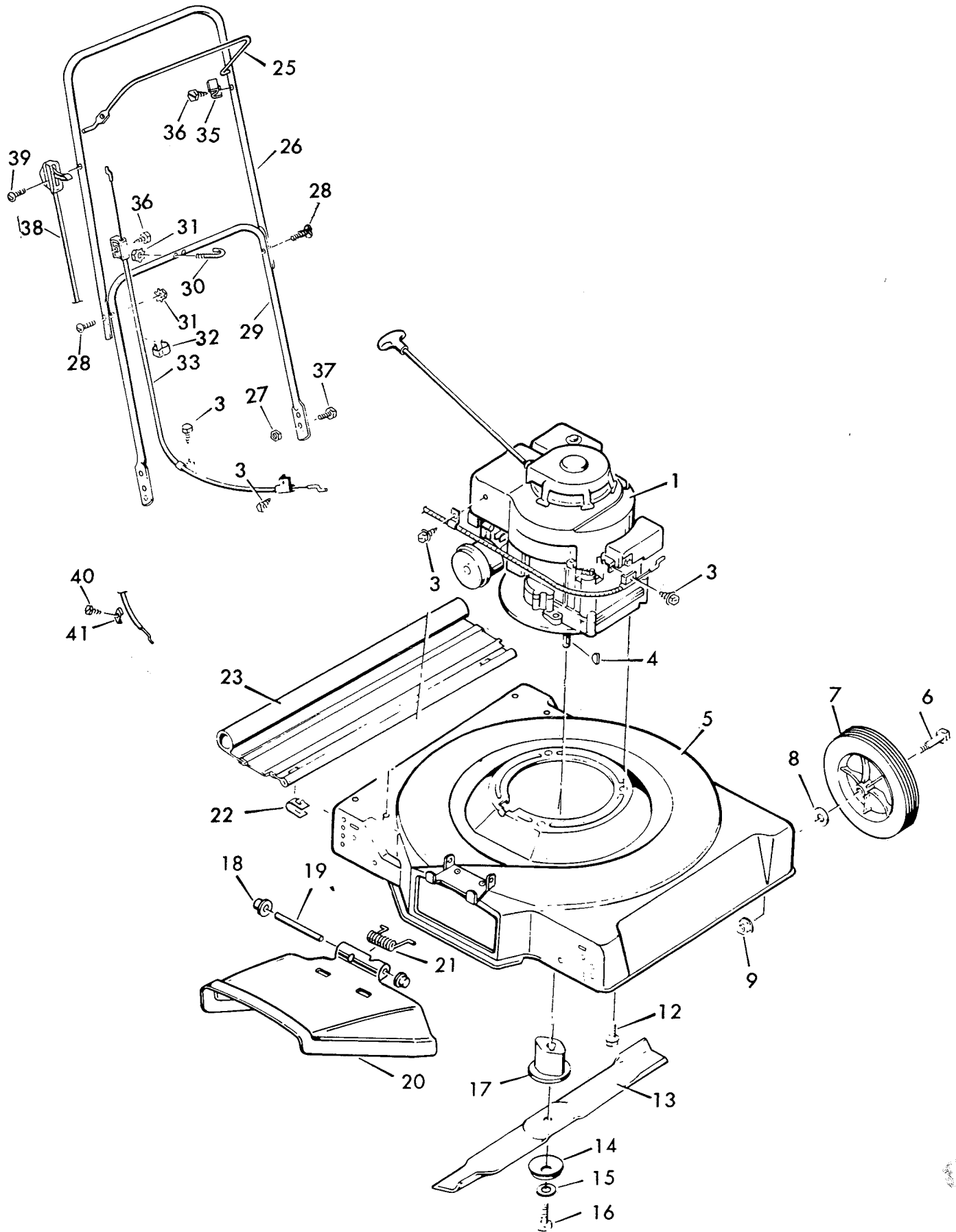


7-20201 20''

MOWER HOUSING ILLUSTRATION



KEY	DESCRIPTION	7-20201
1	Engine	
3	Screw	26X234
4	Woodruff Key	20062
5	Housing	70082
6	Axle Bolt	9X10Z
7	7'' Dia. Wheel	42013
8	Washer	10851Z
9	Hex Nut	15X68Z
12	Engine Bolt	25X6
13	Blade	20045
14	Blade Washer	17X137
15	Washer	17X124
16	Hex Bolt	1X68
17	Blade Adapter	42734
18	Push-on Cap	28X42
19	Pivot Pin	215X11Z
20	Chute Deflector	42919
21	Torsional Spring	166X5
22	Retainer	42743
23	Rear Guard	42746
25	Engine Stop Lever	42763C
26	Handle Upper	42937C
27	Nut	15X84
28	Bolt Handle	3X136Z
29	Handle Lower	42893C
30	"U" Bolt	42896Z
31	Nut	15X66
32	Cable Retainer	42950
33	Engine Stop Cable	42569
35	Handle Stop	42765Z
36	Screw	26X220
37	Hex Bolt	1X85
38	Throttle Control	42949
39	Screw-Line	3X105
40	Screw	26X181
41	Clamp	20073
	Parts Bag	43096
	Owners Manual	F-87401
	Grass Catcher (Not Shown)	7-24065