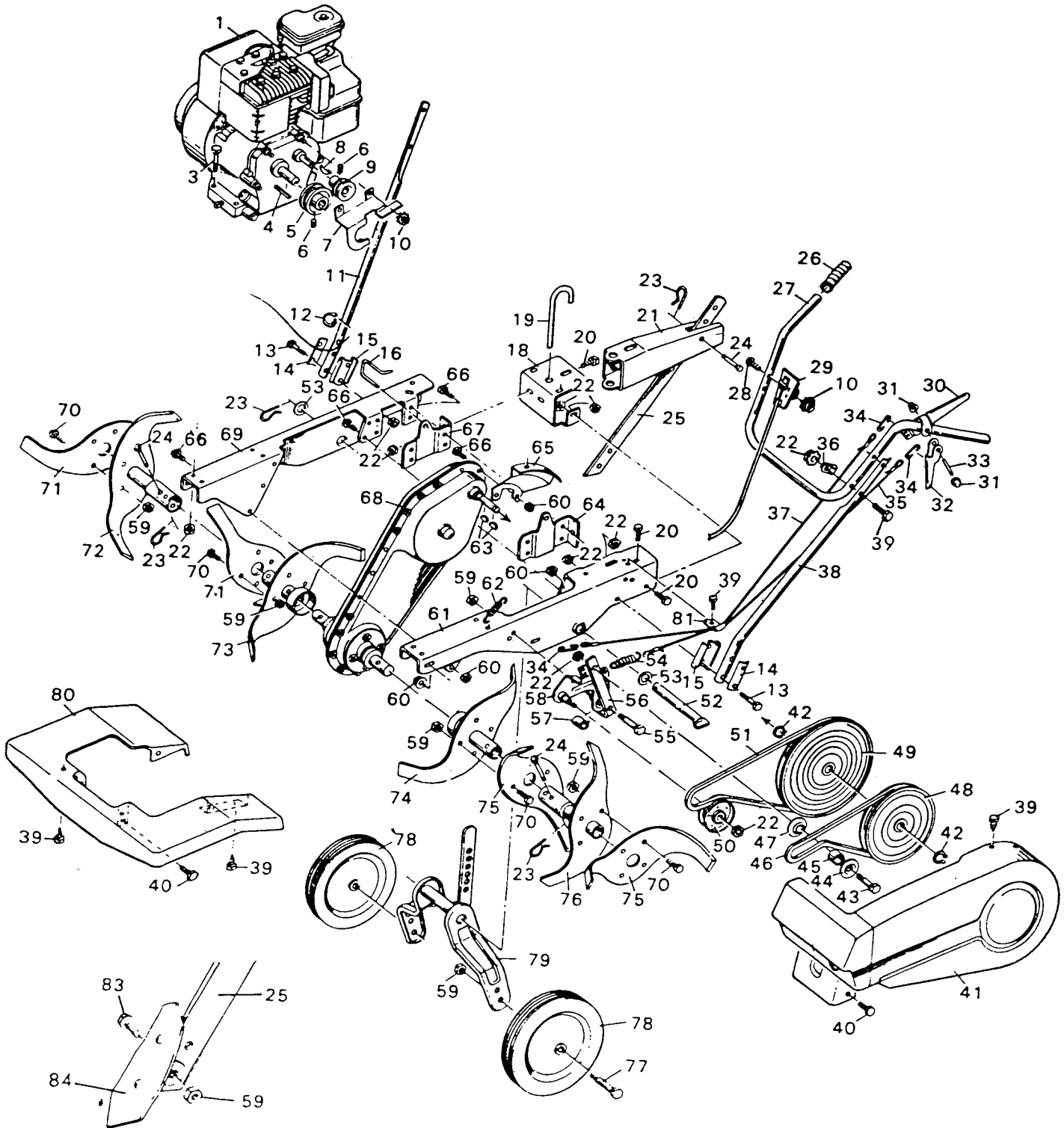


**MODEL 7-13051**

**CHAIN DRIVEN FORWARD & REVERSE  
5 HP TILLER  
14", 26", 28" WIDTH**



## REPLACEMENT PARTS

MODEL 7-13051

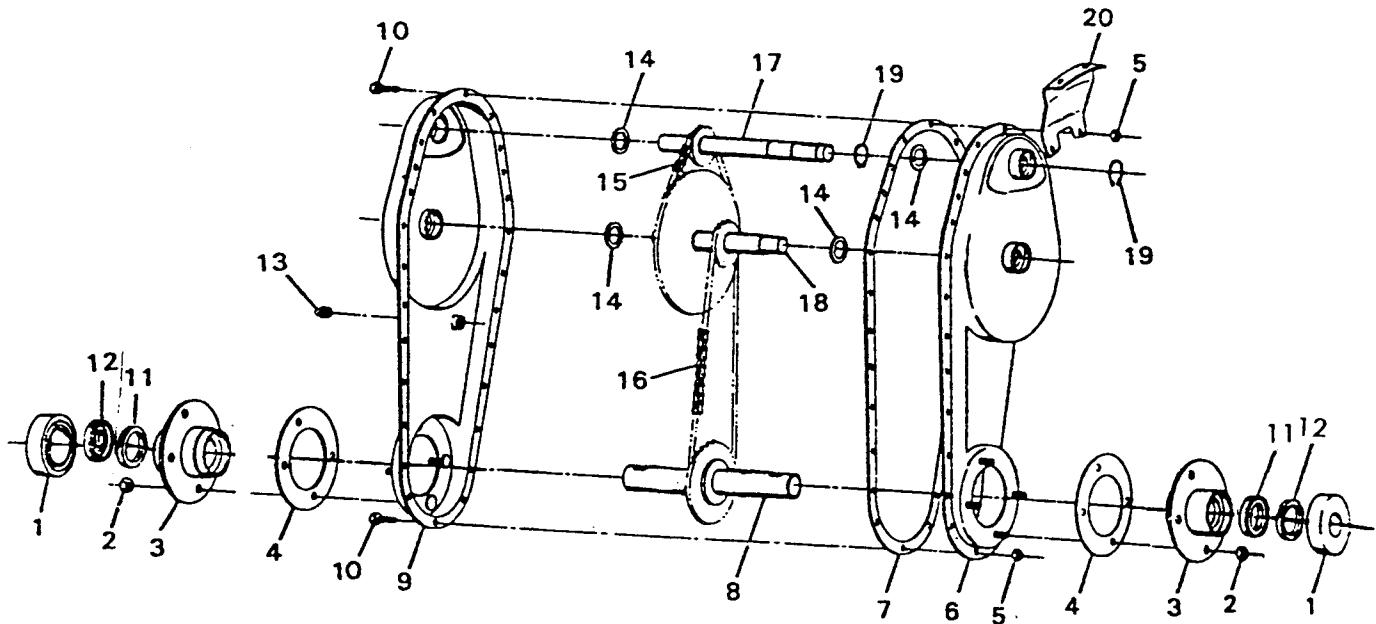
KEY NO.	DESCRIPTION	PART NO.	KEY NO.	DESCRIPTION	PART NO.
1	Engine †	----	42	Retainer Ring	11X7
3	Hex Bolt 5/16"-18X1 1/2"	1X102	43	Shoulder Bolt	9X1
4	Square Key 3/16"	21553	44	Washer	75141Z
5	Pulley	75074	45	Spacer	75133
6	Set Screw	23X48	46	Belt	37X29
7	Belt Guide	75146Z	47	Washer	75140Z
8	Woodruff Key	75136	48	Pulley	21410
9	Pulley	75132	49	Pulley	75073
10	Keps Nut 1/4"-20	15X66	50	Idler Pulley	75149
11	Right Lower Handle	75064C	51	Belt	37X28
12	Tie Strap	32618	52	Pin	75102Z
13	Hex Bolt 5/16"-18X1 7/8"	1X98	53	Washer	17X100Z
14	Handle Clamp	75046Z	54	Spring	165X26
15	Handle Bracket	75045Z	55	Shoulder Bolt	9X10Z
16	Drag Stake Pin	75071Z	56	Idler Bracket	75142Z
17	Screw +	26X36	57	Spacer	75145Z
18	Chassis Bracket	75200	58	Idler Bracket Assembly	75075Z
19	Tail Piece Pin	75082Z	59	Flange Locknut 3/8"-16	15X84
20	Hex Bolt 5/16"-18X5/8"	1X45	60	Stover Locknut 1/4"-20	15X86
21	Tail Piece Assembly	75210	61	Left Chassis	75063
22	Flange Locknut 5/16"-18	15X88	62	Spring	165X27
23	Hair Pin	75336	63	Woodruff Key No. 61	21539
24	Clevis Pin	29X98	64	Left Guide Bracket	75039
25	Drag Stake	75222	65	Rear Bracket	75104
26	Grips	75078	66	Hex Bolt 1/4"-20X7/8"	1X95
27	Upper Handle	75186C	67	Right Guide Bracket	75038
--	Upper Handle for Control Panel	75066C	68	Transmission*	75199
28	Screw 1/4"-20X1 5/8"	3X105	69	Right Chassis	75224
29	Throttle Control	75188	70	Hex Bolt 3/8"-16X3/4"	1X85
29A	Throttle Control for Control Panel	75094PA	71	Tine - Stamped Z	75409
29	Knob - Throttle Control	20339	72	Right Outside Tine & Hub	75220
30	Clutch Lever	75077C	73	Right Inside Tine & Hub	75215
31	Push On Cap	28X42	74	Left Inside Tine & Hub	75213
32	Reverse Lever	75144C	75	Tine - Stamped X	75408
33	Clutch Lever Pin	75137Z	76	Left Outside Tine & Hub	75218
34	Cable Hook	75079	77	Axle Bolt	75048
35	Reverse Cable	75148	78	Wheel & Tire	75047
36	Cable Guide	75143Z	79	Wheel Bracket Assembly	75098
37	Clutch Cable	75457	80	Tine Shield - Optional	75277
38	Left Lower Handle	75065C	81	Cable Guide	21953Z
39	Screw	26X195	83	Hex Bolt 3/8"-16X1 1/4"	1X97
40	Hex Bolt 1/4"-20X5/8"	1X38	84	Furrow Opener Blade	75171
41	Belt Guard Assembly	75122	--	Owner's Manual	F-87903
--	Belt Guard Assembly for optional Tine Shield	75176		Parts Bag Ass'y	75230

†NOTE: Your Engine Model, Type and Code Number is stamped on Blower Housing. Replacement parts may be obtained from the nearest Briggs & Stratton Service Center.

\*See page 263 for Replacement Parts.

Transmission

MODEL 75199 — 75407



KEY NO.	MODEL 75199 PART NO.	MODEL 75407 PART NO.	DESCRIPTION
1	75014	75014	Dust Cap
2	15X88	15X88	Flange Locknut (.31-18NC)
3	75194	75194	Flange and Bearing Assembly
4	75015	75015	Flange Gasket
5	15X89	15X89	Flange Locknut (.25-20NC-2)
6	75033	75432	Left Hand Drive Housing and Bearing Assembly
7	75030	75030	Drive Housing Gasket
8	75203	75403	Tine Shaft Assembly
9	75032	75433	Right Hand Drive Housing and Bearing Assembly
10	1X119	1X119	Hex Bolt (.25-20NCX.625 Grade 8)
11	75013	75013	Felt Washer
12	75029	75029	Rubber Seal
13	75088	75088	Plug-Transmission Oil
14	75031	75031	Thrust Washer
15	75115	75115	Chain and Link Assembly
16	75114	75114	Chain and Link Assembly
17	75139	75017	Input Shaft Assembly
18	75016	75016	Idler Shaft Assembly
19	11X7	11X7	Retainer Ring (.625 D Shaft)
20	75104	75442	Rear Belt Guard Bracket