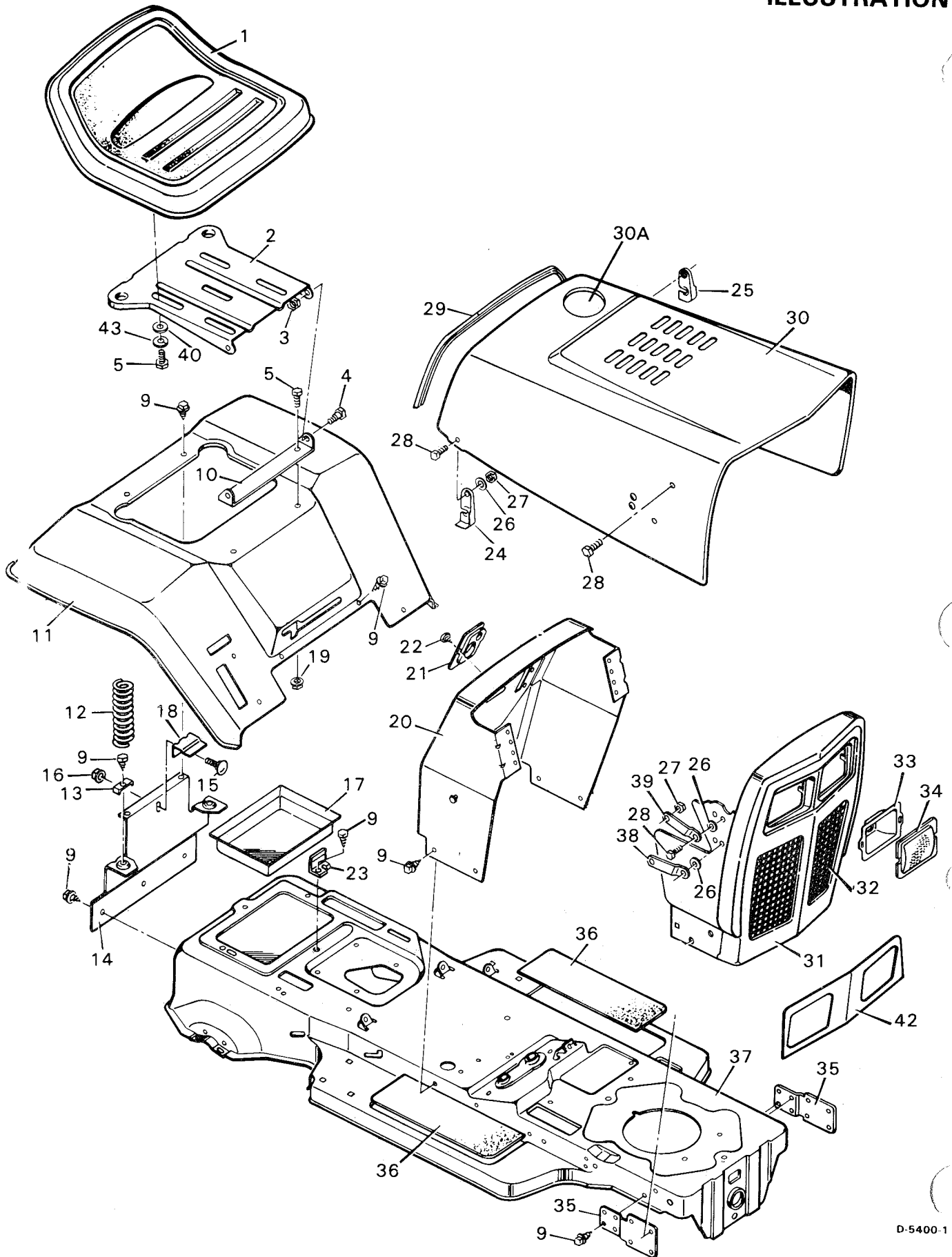


BODY PARTS ILLUSTRATION



D-5400-1

BODY PARTS LIST

KEY NO.	DESCRIPTION	PART NO.
1	Seat	90368
2	Seat Support	91044
3	Flange Locknut 3/8''-16	15X84
4	Shoulder Bolt 3/8''-16X5/8''	9X30
5	Hex Bolt 5/16''-18X5/8''	1X45
9	Screw	26X49
10	Seat Pivot Bracket	90031
11	Seat Deck	90186
12	Spring	164X17
13	Spring Retainer	90014
14	Seat Deck Support	90633
15	Carriage Bolt	2X53Z
16	Keps Nut 5/16'' 18	15X76
17	Battery Tray	24157
18	Battery Clamp	90632Z
19	Flange Locknut 5/16''-18	15X88
20	Dashboard Assembly	90734
21	Bearing - Steering Post	90081
22	Screw	26X186
23	Battery Clip	55149
24	Right Hood Latch*	90464Z
25	Left Hood Latch*	90465Z
26	Washer*	17X17Z
27	Hex Nut No. 10-24*	15X81
28	Machine Screw No. 10-24X 1/2''*	4X20Z
29	Edge Trim*	21765
30	Hood Assembly-Complete No Hole	90474
30A	Hood Assembly - Complete With Hole	90473
31	Grille Assembly	90666
32	Grille Screen, Right	24089E
--	Grille Screen, Left	24254E
33	Reflector, Headlight	90009C
34	Lens, Headlight	90082
35	Grille Bracket	91159
36	Mat - Foot Rest	90148
37	Frame Channel	90001
38	Pivot Bar **	23046
39	Pivot Bar Assembly **	23088
40	Washer	17X47Z
42	Headlight Trim	90654C
43	Lock Washer	18X16

*NOTE: These numbers are included in with key no. 30

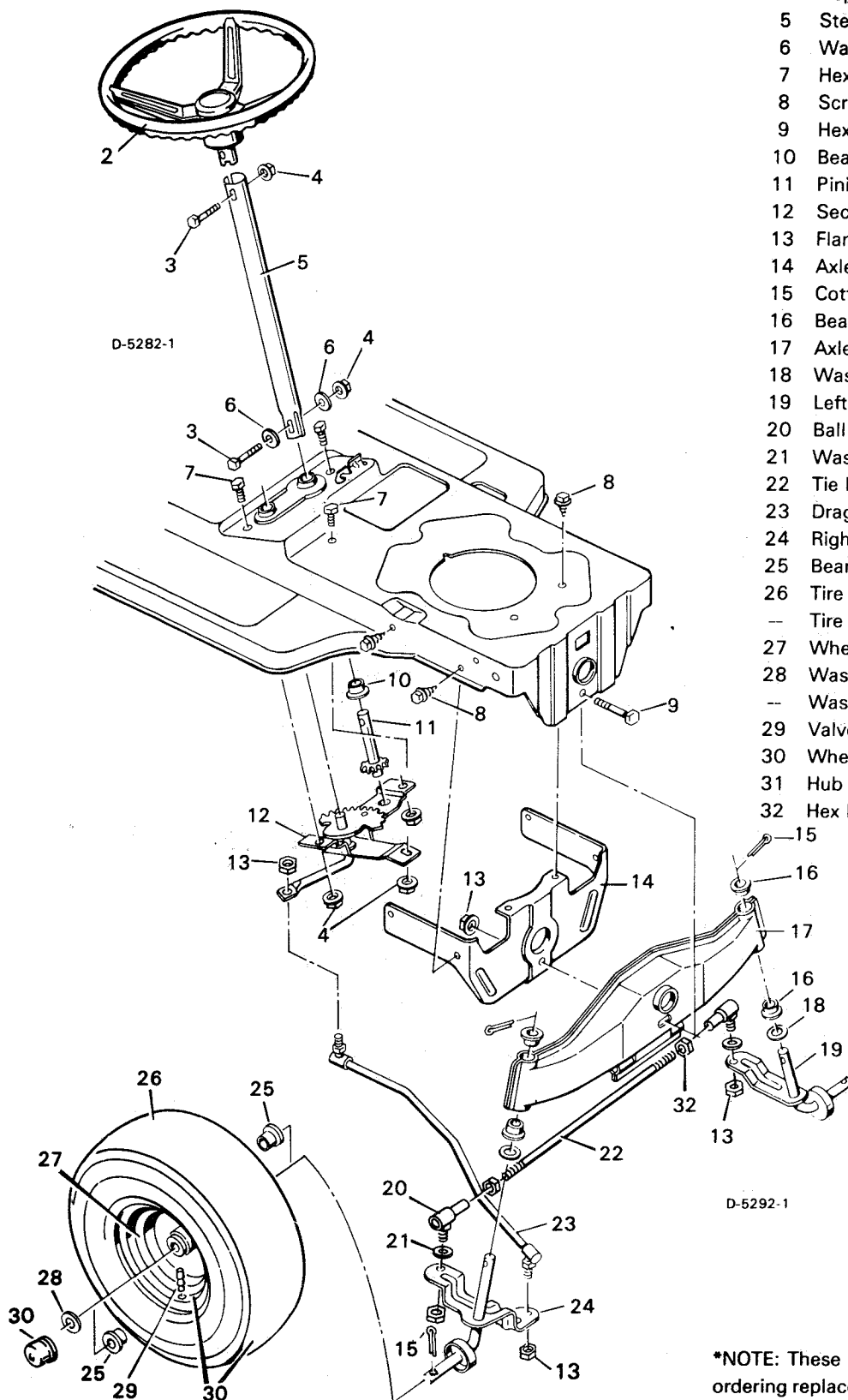
NOTE: These numbers are included with Key No. 31

STEERING

**KEY
NO. DESCRIPTION**

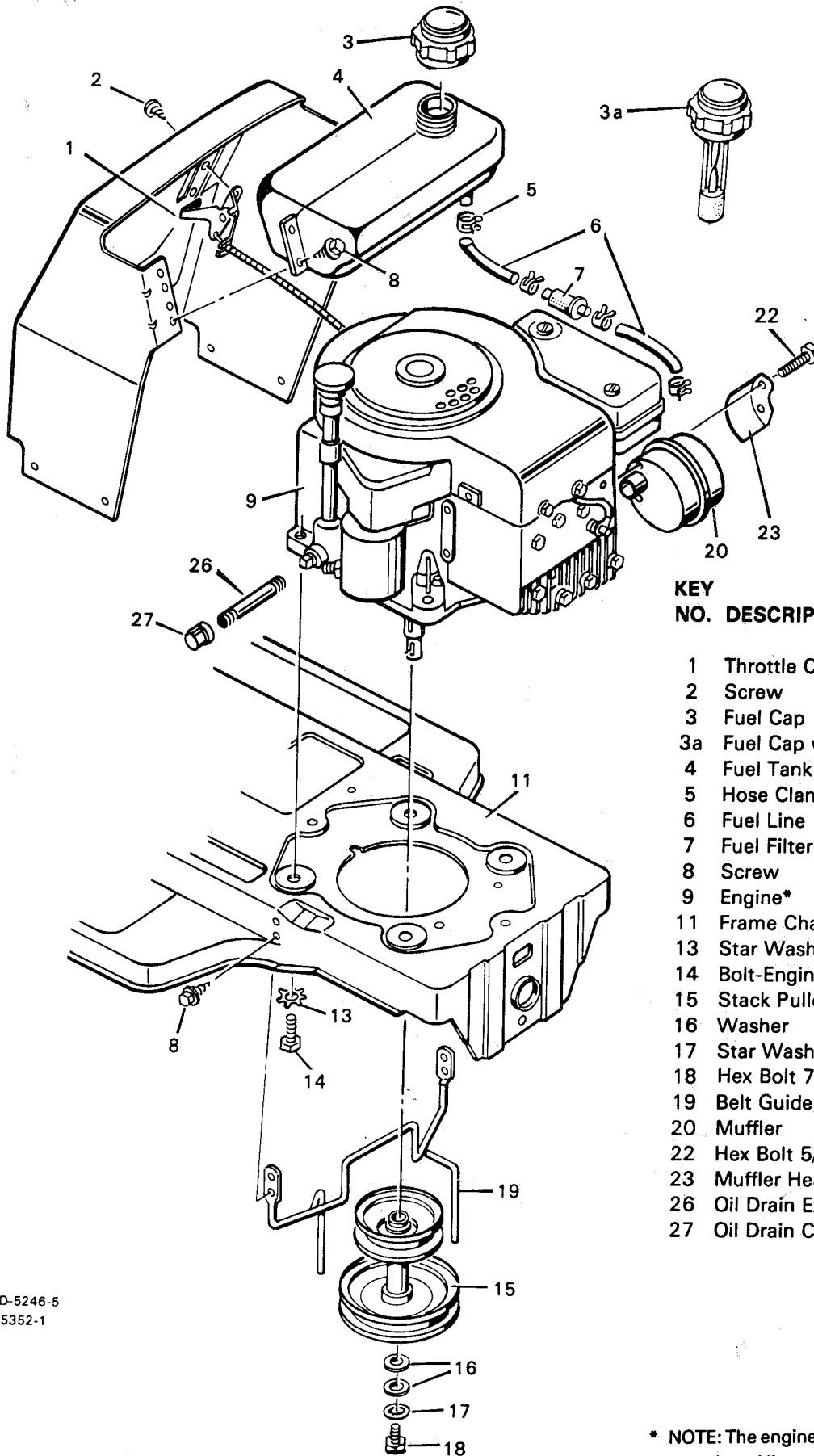
**PART
NO.**

2	Steering Wheel	90576
3	Hex Bolt 5/16"-18x1 1/2"	1x102
4	Keys Nuts	15x88
5	Steering Post	90130C
6	Washer	17x47Z
7	Hex Bolt 5/16"-18x5/8"	1x45
8	Screw	26x49
9	Hex Bolt 3/8"-24x3 1/4"	1x101
10	Bearing	90035
11	Pinion Gear & Shaft	90132
12	Sector Gear Assembly	90025
13	Flange Locknut 3/8"-24	15x87
14	Axle Support, Front	90002
15	Cotter Pin	30x49
16	Bearing	90035
17	Axle Assembly	90034
18	Washer	17x113
19	Left Hand Spindle Assembly	90037
20	Ball Joint	21031
21	Washer	17x124
22	Tie Rod	90038
23	Drag Link Assembly	90041
24	Right Hand Spindle Assembly	90036
25	Bearing*	55599
26	Tire Only*	24376
--	Tire Tube*	40704
27	Wheel Only*	24488E
28	Washer, Hub Caps Only	17x115
--	Washer, Without Hub Caps	17x83Z
29	Valve Stem & Cap*	24373
30	Wheel Assembly	24489
31	Hub Cap, Optional	21662
32	Hex Nut 3/8"-24	15x61



*NOTE: These parts are included with key no.30. When ordering replacement parts, specify the brand name of the tire to insure that tread patterns on the tire match.

ENGINE MOUNT



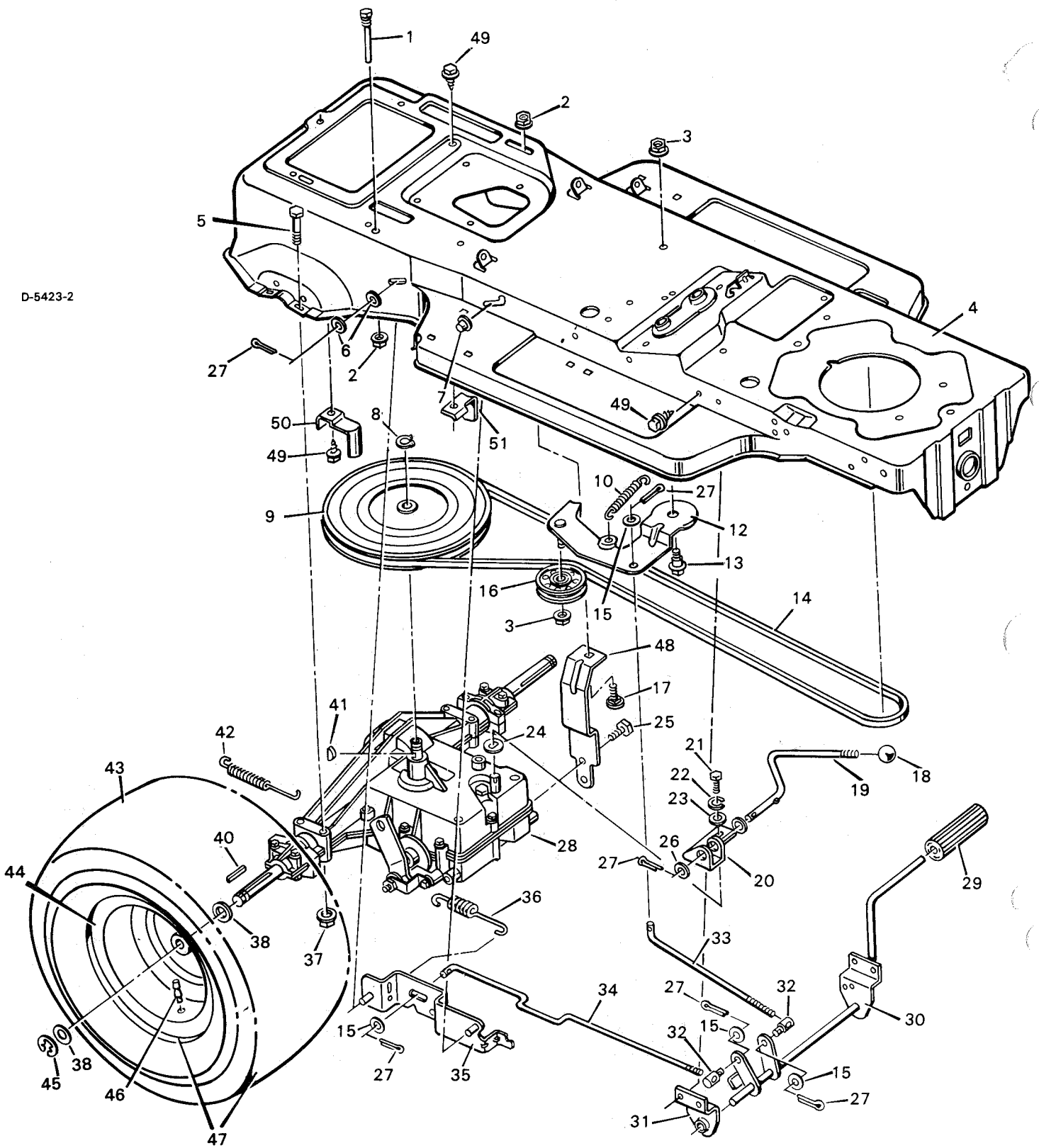
**KEY
NO. DESCRIPTION**

KEY NO.	DESCRIPTION	PART NO.
1	Throttle Control	90728
2	Screw	26x159
3	Fuel Cap	23711
3a	Fuel Cap with gauge	24064
4	Fuel Tank	23300
5	Hose Clamp	23713
6	Fuel Line	90671
7	Fuel Filter	24159
8	Screw	26x214
9	Engine*	-----
11	Frame Channel	90001
13	Star Washer	19x8
14	Bolt-Engine Mount	20103
15	Stack Pulley Assembly	91557Z
16	Washer	17X103
17	Star Washer	19X35
18	Hex Bolt 7/16"-20X1"	1X80
19	Belt Guide, Stack Pulley	90276Z
20	Muffler	90330PA
22	Hex Bolt 5/16"-18x3/4"	1x118
23	Muffler Heat Shield	90332
26	Oil Drain Extension	24066
27	Oil Drain Cap	21651

D-5246-5
D-5352-1

* NOTE: The engine model, type, and code numbers are on the engine. All parts to the engine are available from a Briggs & Stratton Authorized Service Center. See the yellow pages under "Engines, Gasoline" or "Gasoline Engines" in the telephone directory.

MOTION DRIVE



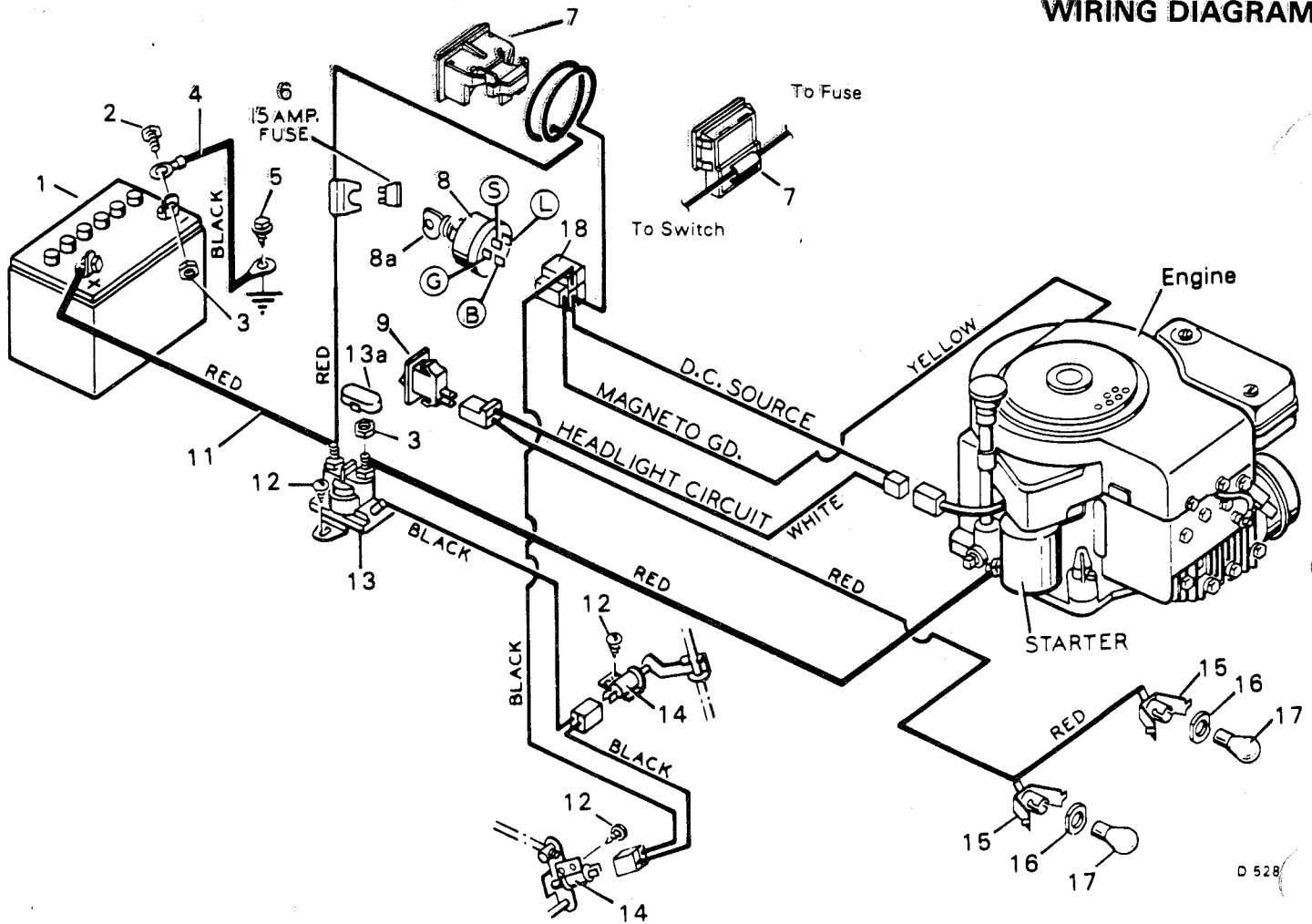
D-5423-2

KEY NO.	DESCRIPTION	PART NO.
1	Bolt, Belt Guide	20619
2	Flange Nut 5/16"-18	15x79Z
3	Flange Locknut 3/8"-18	15x84
4	Frame Channel	90001
5	Flange Locknut 5/16"-18	15x88
6	Washer	17x116
7	Cap Retainer, Parking Brake	28x48
8	Retainer Ring	11x7
9	Drive Pulley	90190
10	Extension Spring	165x31
12	Idler Bracket Assembly	90011Z
13	Shoulder Bolt 3/8"-16x7/8"	9x12
14	Drive Belt	37x45
15	Washer	17x53Z
16	Idler Pulley	21409
17	Transaxle Support	90173Z
18	Knob, Shift Lever	20739
19	Shift Lever	90670Z
20	Shifter Yoke	90669Z
21	Hex Bolt 1/4"-28x1/2"	1x82
22	Lockwasher	18x32
23	Washer	17x32Z
24	Washer	17x134
25	Screw	26x207
26	Washer	17x102Z
27	Cotter Pin	30x20
28	Transaxle • (Peerless Model No. 900-02)	----
29	Clutch and Brake Pedal	21544
30	Lever Assembly	90766
31	Support Bracket	90013
32	Adjustable Nut	21920
33	Clutch Rod	90066Z
34	Brake Rod	90067Z
35	Brake Link Assembly	90068
36	Brake Spring	165x47
37	Hex Bolt 5/16"-18x1 7/8"	1x98
38	Transaxle Washer	21521
40	Square Key 3/16"x2"	21553
41	Woodruff Key No. 9	20697
42	Spring, Brake Return	165x34
43	Tire Only*	24375
--	Tire Tube*	407049
44	Wheel Only*	24351E
45	E-Ring	11x3
46	Valve Stem and Cap*	24373
47	Wheel and Tire Assembly	24377
48	Carriage Bolt 5/16"-18x3/4"	2x53Z
49	Screw	26x49
50	Belt Guide	90694
51	Belt Guide	90691

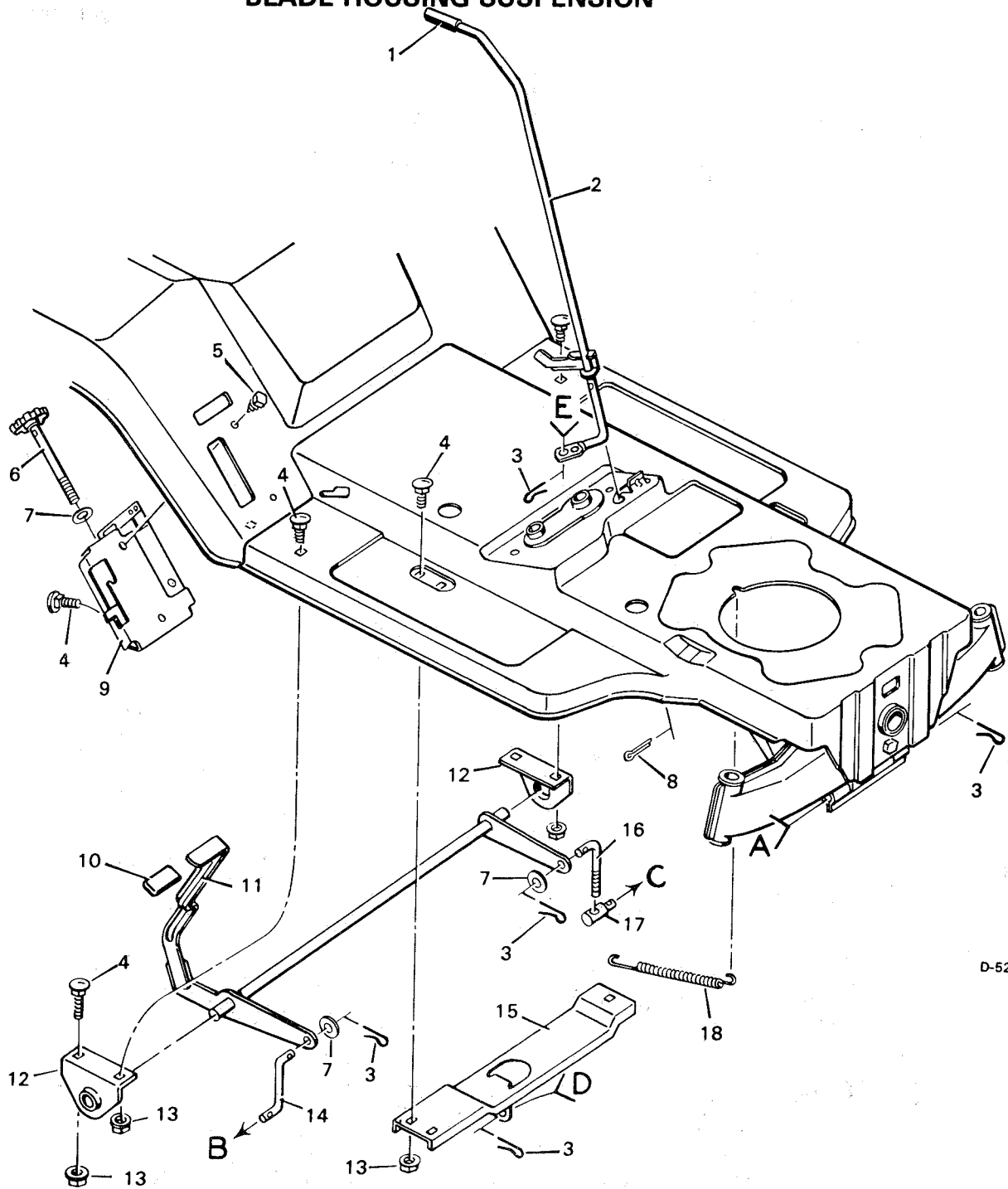
NOTE: These parts are included with key no 47. For replacement parts, always give the name on the side of the tire so that the tire pattern will be the same.

• NOTE: Replacement parts for the transaxle are available from a Tecumseh Authorized Service Center. See the yellow pages under, "Engines, Gasoline" or "Gasoline Engines" in the telephone directory.

WIRING DIAGRAM



KEY NO.	DESCRIPTION	PART NO.
1	Battery, 25 AMP HOUR	21065
--	Electrolyte (Battery Acid)	90665
--	Battery Caps	400262
2	Hex Bolt 1/4"-20x5/8"	1x38
3	Keps Nut 1/4"-20	15x66
4	Battery Cable, Black	24x9
5	Screw	26x49
6	Fuse	54212
7	Ammeter Assembly	90729
8	Ignition Switch and Key	21064PA
8a	Key and Ring Only	20729
9	Light Switch	90647
11	Battery Cable, Red	24x17
12	Screw	26x233
13	Solenoid	24285
13a	Cover, Solenoid	90565
14	Limit Switch	24273
15	Light Socket Assembly	90155
16	Washer, Light Socket	90228
17	Headlight Bulb	90084
18	Wiring Harness	91357
--	Tie Strap	32618



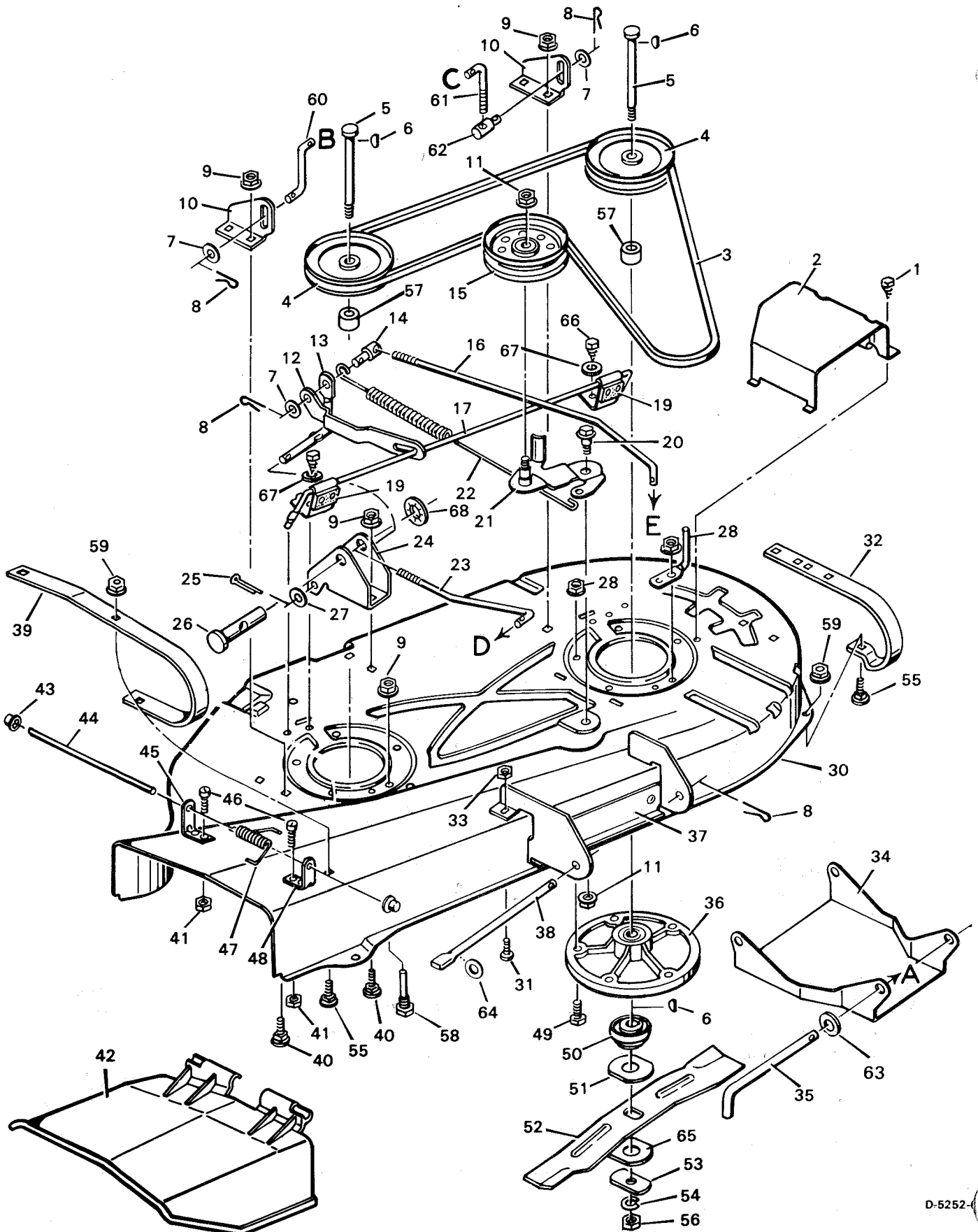
D-5251

KEY NO.	DESCRIPTION
1	Grip, Blade Engagement Control
2	Lever, Blade Engagement Control
3	Hair Pin *
4	Bolt, Carriage
5	Screw
6	Adjuster Screw Assembly
7	Washer *
8	Cotter Pin
9	Bracket Assembly, Adjuster

PART NO.	DESCRIPTION
20476	
91351 Z	
75336	
2x64	
26x49	
90078 Z	
17x53 Z	
30x20	
404063	

KEY NO.	DESCRIPTION	PART NO.
10	Grip, Lifter Handle	23340
11	Lifter Assembly	90043
12	Bracket, Hanger	90042
13	Nut, Hex 5/16"-18	15x79 Z
14	Rod, Lifter *	90099 Z
15	Support, Channel	90028
16	Rod, Adjuster *	90100 Z
17	Nut, Adjustable *	21920
18	Spring	165x32

* Parts that have an asterisk * in the description are included with the complete blade housing. See the parts list for the blade housing.



D-5252

BLADE HOUSING LOWER HALF

KEY NO.	DESCRIPTION	PART NO.	KEY NO.	DESCRIPTION	PART NO.
1	Screw	26x214	35	Hanger Rod	90133Z
2	Pulley Cover	90117	36	Jackshaft Housing Assembly	24384
3	Belt, Blade Drive	37x43	37	Front Hanger Bracket*	90401
4	Jackshaft Pulley	23739	38	Hanger Rod	90107Z
5	Jackshaft	24578	39	Right Skid*	90392
6	Woodruff Key No. 6	20062	40	Carriage Bolt 5/16"-18x5/8"	2x53
7	Washer	17x53Z	41	Hex Nut No. 10-24*	15x81
8	Hairpin	75336	42	Deflector, Blade Housing	21154
9	Flange Nut 5/16"-18*	15x79Z	43	Push On Cap	28x23
10	Lifter Bracket*	90103	44	Deflector Rod	21198Z
11	Flange Locknut 3/8"-16	15x84	45	Rear Deflector Bracket*	21187
12	Brake Bar	90121Z	46	Machine Screw No. 10-24x5/8"	4x21
13	Pivot Lever	90113Z	47	Torsional Spring	166x4
14	Adjustable Nut	90115	48	Front Deflector Bracket*	21186
15	Idler Pulley	90118	49	Hex Bolt 5/16"-18x1"	1x84
16	Blade Control Rod	90114Z	50	Blade Adapter	54211
17	Blade Brake Rod	90122Z	51	Blade Washer	21673Z
18	Spring Assembly, Blade Brake	90123	52	Blade, 36 inch	20930
19	Shoulder Bolt 3/8"-16x7/8"	9x12	53	Washer	20663Z
21	Idler Bracket Assembly	90110Z	54	Lockwasher	18x27
22	Spring	165x33	55	Carriage Bolt*	2x39
23	Link Rod	90108Z	56	Hex Nut, Blade 1/2"-20	15x72
24	Rear Hanger Bracket*	90104	57	Jackshaft Spacer	24533Z
25	Cotter Pin	30x20	58	Bolt, Belt Guide	20619
26	Adjuster Bar	90907	59	Hex Nut*	15x82
27	Washer	17x102 Z	60	Lifter Rod	90099Z
28	Flange Locknut 5/16"-18	15x88	61	Adjuster Rod	90100Z
29	Belt Guide	90120Z	62	Adjustable Nut	21920
30	Blade Housing	91089	63	Washer	17x122Z
	Complete Blade Housing Assembly •	407918	64	Washer	17x57Z
31	Machine Screw 1/4"-20x1/2"	4x24	65	Washer, Under Blade	24614Z
32	Left Skid*	90353	66	Screw	26x195
33	Locknut 1/4"-20*	15x67	67	Washer	18x32
34	Front Hanger	90106	68	Nut, Push	28x54

NOTE: These parts are included with key no. 30.

• NOTE: This part number includes key numbers 1 to 68.