

D-4351-8

D-5338-4

FRAME & BODY

MODEL NO. 6-30502

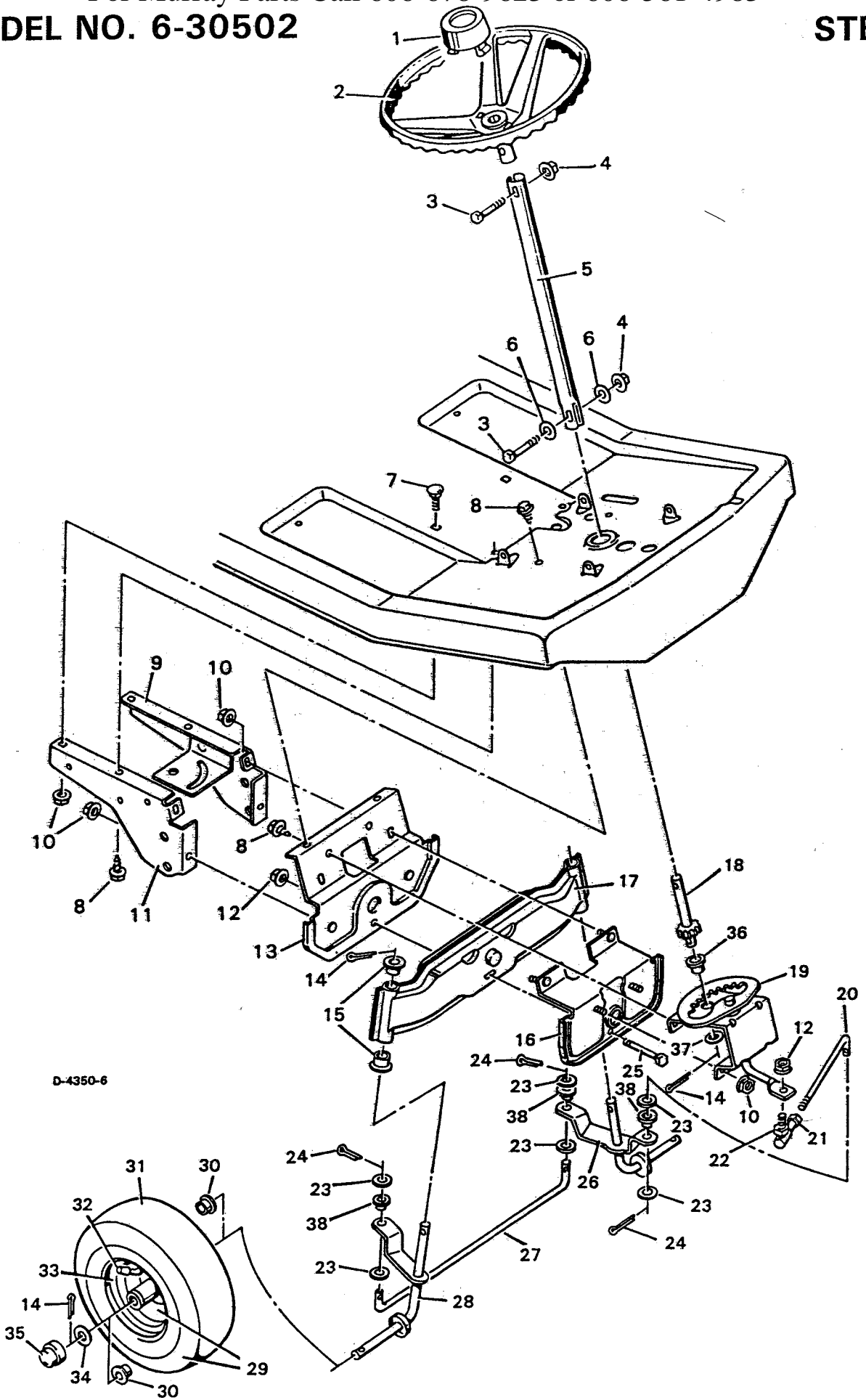
KEY NO.	DESCRIPTION	PART NO.
1	Seat	90368
2	Seat Mount	55098
3	Locknut, Flange 3/8"-16	15X84
4	Seat Spring	164X17
5	Screw	26X49
6	Spring Retainer	90014
7	Spring Hanger	55062
8	Seat Support	55060
9	Washer	17X47Z
10	Hex Bolt 5/16"-18X5/8"	1X45
11	Shoulder Bolt 3/8"-16X7/8"	9X30
12	Seat Hinge	55061
13	Engine	+
14	Muffler	90331PA
15	Hex Bolt 1/4"-20X3-1/4"	1X117
16	Washer, Shakeproof	19X8
17	Bolt, Engine Mount	20103
19	Control & Cable	55330PA
20	Rear Body Assembly, with light	55772
	Rear Body Assembly, without light	55008
21	Nut, Tinnerman 1/4"-20	28X18
22	Frame Channel	55197
23	Nuts, Keps 1/4"-20	15X66
25	Bolt, Carriage	2X67
26	Clamp, Battery	55210Z
27	Screw, Tapping	26X159
28	Screw, Tapping	26X214
29	Battery Clip	55149Z
30	Bushing	55176
31	Bolt, Hex 1/4"-20X5/8"	6X74
32	Mat, Running Board (R.H.)	55102
33	Mat, Running Board (L.H.)	55103
34	Console Plate	55023
35	Bearing, Steering Post	55004
36	Console Assembly, with light*	55019
	Console Assembly, without light	55018
37	Reflector*	90009C
38	Lens*	90082
39	Screw, Machine 1/4"-20X1/2"	4X24
40	Washer	19X6
41	Lockwasher	18X16
42	Hex Nut	1X91
43	Locknut, Flange	15X88
44	Engine Strap, right	55205
45	Engine Strap, left	55206
46	Rear Body Support	55017Z
#	Parts Bag	55373
#	Instruction Book	F-7882
#	Parts List	F-7883
#	Decal-Shroud R.H.	58X852
#	Decal-Shroud L.H.	58X853
#	Decal-Console R.H.	58X854
#	Decal-Console L.H.	58X855

+ NOTE: The engine model, type, and code numbers are on the engine. All parts for the engine are available from a Briggs & Stratton Authorized Service Center. See "Engines, Gasoline" or "Gasoline Engines" in the yellow pages of the telephone directory.

* Parts only used on models with lights.

MODEL NO. 6-30502

STEERING

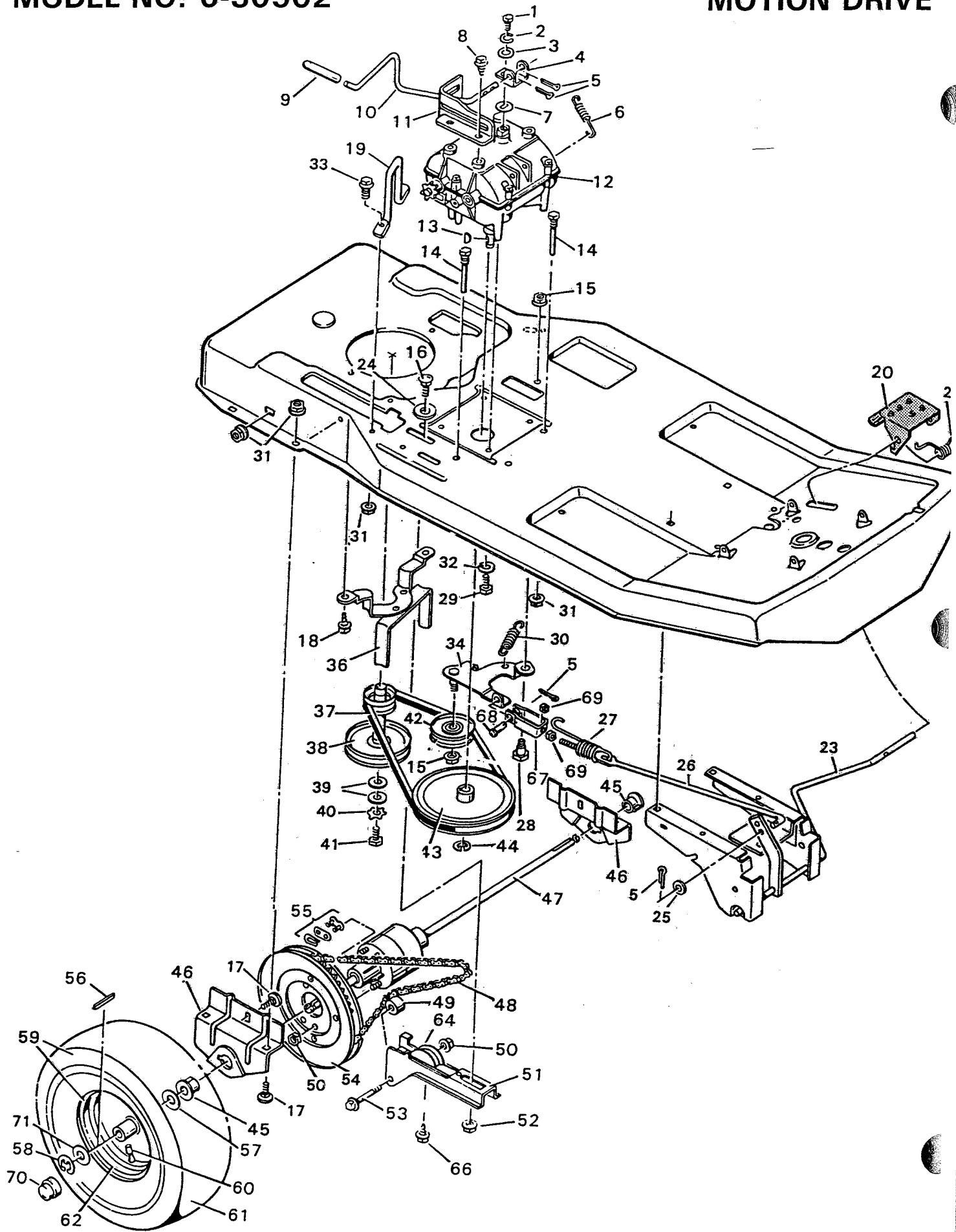


KEY NO.	DESCRIPTION	PART NO.
1	Cap, Steering Wheel	55367
2	Steering Wheel	55368
3	Hex Bolt 5/16"-18X1-1/2"	1X102
4	Locknut, Flange 5/16"-13	15X88
5	Steering Post	90130C
6	Washer	17X47Z
7	Carriage Bolt 5/16"-18X5/8"	2X53
8	Screw, Tapping	26X49
9	Suspension Plate, Left	55384
10	Hex Nut, Flange	15X79
11	Suspension Plate, Right	55352
12	Locknut, Flange 3/8"-24	15X87
13	Front Axle Support Assembly	55056
14	Cotter Pin	30X49
15	Spindle Bearing	55003
16	Front Axle Hanger Assembly	55655
17	Front Axle Assembly	55024
18	Pinion Gear	55001
19	Sector Assembly	55746
20	Drag Link	55046
21	Hex Nut 3/8"-24	15X61
22	Steering Ball Joint	21031
23	Washer	17X53
24	Cotter Pin	30X20
25	Hex Bolt 3/8"-24X2-3/8"	1X69
26	Left Spindle Assembly	55381
27	Tie Rod	55026
28	Right Spindle Assembly	55380
29	Wheel & Tire Assembly	24395
30	Bearing*	55598
31	Tire Only*	24394
32	Valve Stem & Cap*	24373
33	Wheel Only*	24364E
34	Washer	24583
35	Hub Cap	24582
36	Bearing	55168
37	Washer	17X100
38	Bushing, Nylon	55547

*NOTE: These parts are included with key no. 29. When ordering replacement parts, specify the brand name of the tire to insure that tread pattern on the tire match.

MODEL NO. 6-30502

MOTION DRIVE



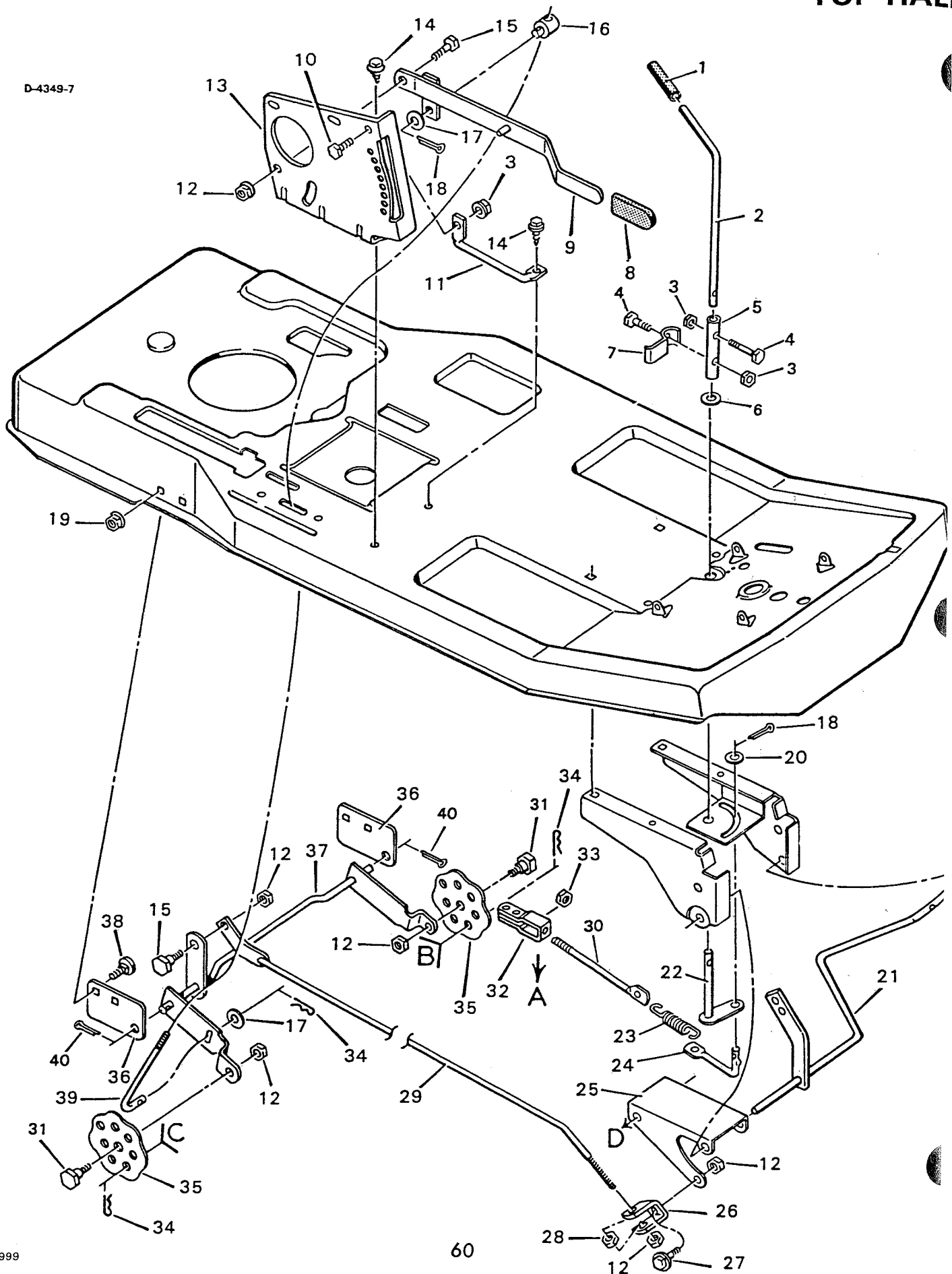
KEY NO.	DESCRIPTION	PART NO.	KEY NO.	DESCRIPTION	PART NO.
1	Hex Bolt 1/4"-20X5/8"	1X82	36	Belt Guide Assembly	55281Z
2	Spring Lockwasher	18X32	37	Drive Belt, Traction	37X38
3	Washer	17X32Z	38	Stack Pulley Assembly	55437Z
4	Transmission Yoke	55710Z	39	Washer	17X103
5	Cotter Pin	30X20	40	Washer	19X35
6	Extension Spring, Brake Return	165X28	41	Hex Bolt 7/16"-20X1"	1X80
7	Washer	17X134	42	Idler Pulley	20613
8	Screw, Tapping	26X207	43	Pulley, Transmission	55101
9	Grip	55321	44	Retainer Ring	11X7
10	Shift Lever	55740Z	45	Axle Bearing, Flange	55597
11	Transmission Gate	55263Z	46	Bracket, Rear Axle	55065
12	Transmission, Peerless 708B	+	47	Differential, Peerless 100	+
13	Woodruff Key #9	20697	48	Roller Chain	55115
14	Guide Screw	20619	49	Roller**	90176
15	Locknut, Flange 3/8"-16	15X84	50	Locknut, Flange 5/16"-18**	15X88
16	Carriage Bolt 3/8"-16X3/4"	2X56	51	Chain Adjustment Bracket	55194
17	Carriage Bolt 5/16"-18X5/8"	2X53Z	52	Hex Nut, Flange 3/8"-16	15X68
18	Screw, Tapping	26X49	53	Shoulder Bolt 5/16"-18X1.72**	9X22
19	Chain Clamp	23553Z	54	Sprocket & Chain Guard, 50 Tooth	55621
20	Pedal, Clutch/Brake	55395	55	Connecting Link	407059
21	Torsional Spring, Pedal	166X18	56	Key, Square 3/16"	21553
22	Cotter Pin	30X49	57	Washer***	21521
23	Lever Assembly, Brake/Clutch	55656	58	E-Ring	11X3
24	Washer	17X67Z	59	Wheel & Tire Assembly	24392
25	Washer	17X47	60	Valve Stem & Cap*	24373
26	Rod, Brake/Clutch	55495Z	61	Tire Only*	24393
27	Extension Spring, Brake	165X42	62	Wheel Only*	24391E
28	Shoulder Bolt 3/8"-16X7/8"	9X30	64	Guide Block**	23403
29	Hex Bolt 5/16"-18X3/4"	1X91	66	Screw, Tapping**	26X214
30	Extension Spring, Clutch	165X 39	67	Clevis	21915Z
31	Hex Nut, Flange 5/16"-18	15X79	68	Clevis Pin	29X99
32	Lockwasher	18X15	69	Hex Nut	15X2
33	Hex Bolt 5/16"-18X5/8"	1X45	70	Hub Caps	24582
34	Idler Arm Assembly	55067Z	71	Washer	17X115Z

+ NOTE: Replacement parts for the transmission or differential are available from a Tecumseh Authorized Service Center. See Engines, Gasoline" or "Gasoline Engines" in the yellow pages of the telephone directory.

* NOTE: These parts are included with the wheel and tire assembly. For replacement parts, always give the name on the side of the tire so that the tire pattern will be the same.

** NOTE: These parts are included with the chain adjusting bracket, key no 51.

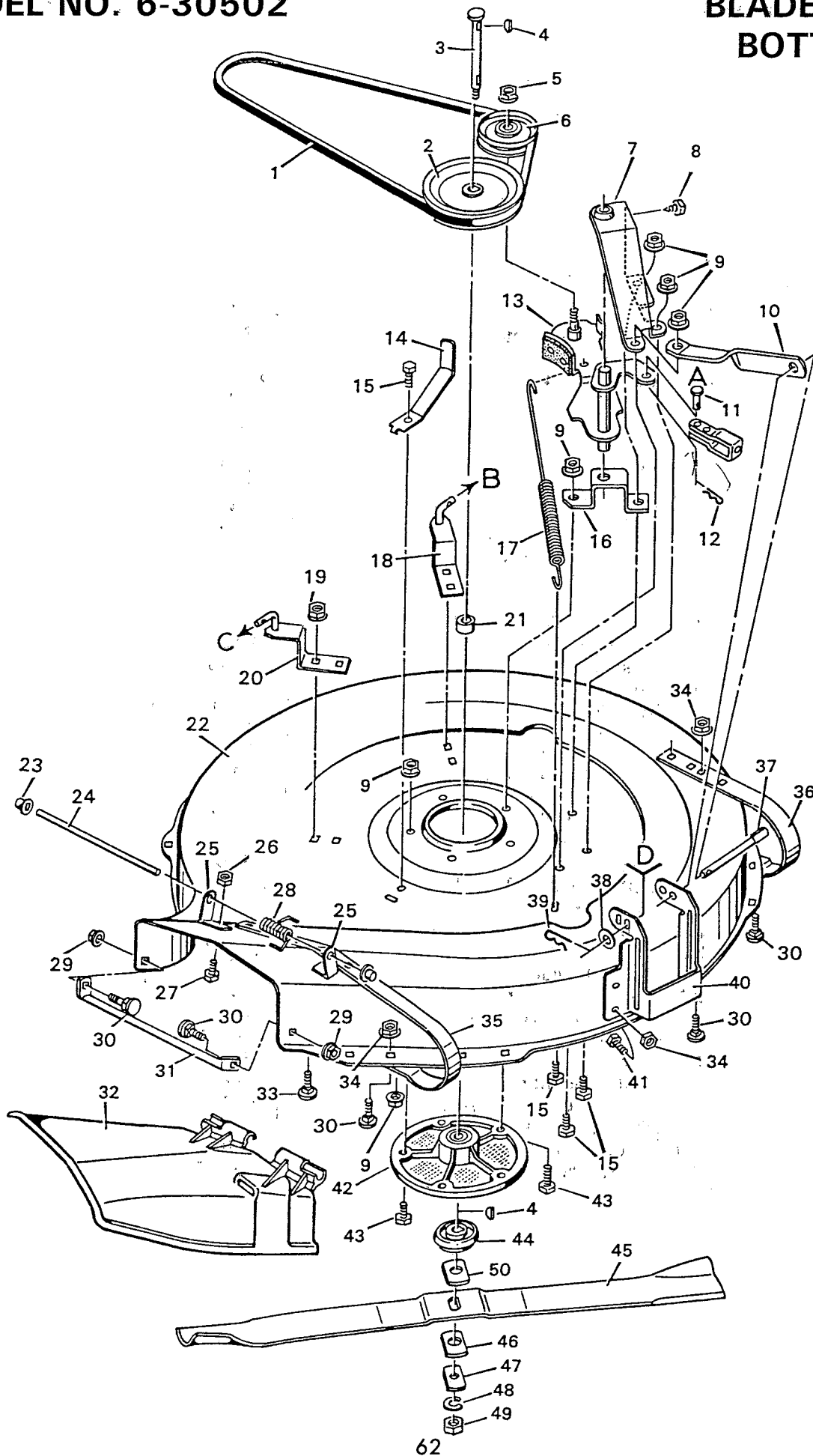
*** NOTE: If equipped with plastic hub caps, use washers 17X115 on the outside of the wheels.



**BLADE HOUSING
TOP HALF****MODEL NO. 6-30502**

KEY NO.	DESCRIPTION	PART NO.
1	Grip, Blade Control Lever	20476
2	Lever, Blade Control	55391Z
3	Locknut, Flange 1/4''-20	15X89
4	Bolt, Hex 1/4''-20	1X76
5	Tube, Blade Lever	55088
6	Washer	17X67Z
7	Bracket, Switch	55347
8	Grip, Lifter	21249
9	Lever Assembly, Lifter	55356
10	Bolt, Hex 1/4''-20X5/8''	1X38
11	Strut	55348
12	Locknut, Flange 3/8''-16	15X84
13	Plate, Index	55365
14	Screw	26X49
15	Bolt, Shoulder 3/8''-16	9X9
16	Nut, Adjuster	21920
17	Washer	17X53
18	Pin, Cotter	30X20
19	Nut, Hex Flange 5/16''-18	15X88
20	Washer	17X48
21	Lever Assembly	55656
22	Rod & Arm Assembly	55357
23	Spring, Extension	165X56
24	Link, Front Deck	55179
25	Bracket, Front Suspension	55139
26	Clevis	55298
27	Bolt, Shoulder 3/8''-16	9X17
28	Nut, Hex Jam 3/8''-16	15X73
29	Rod Assembly	55283
30	Link	55271Z
31	Bolt, Shoulder	9X4
32	Clevis, Adjuster	24471Z
33	Nut, Hex 5/16''-18	15X2
34	Hairpin	75336
35	Plate, Adjuster	55344
36	Plate, Mounting	55270
37	Rod Assembly, Suspension	55346
38	Bolt, Carriage	2X53
39	Rod, Blade Brake	24839
40	Cotter Pin	30X49

BLADE HOUSING BOTTOM HALF



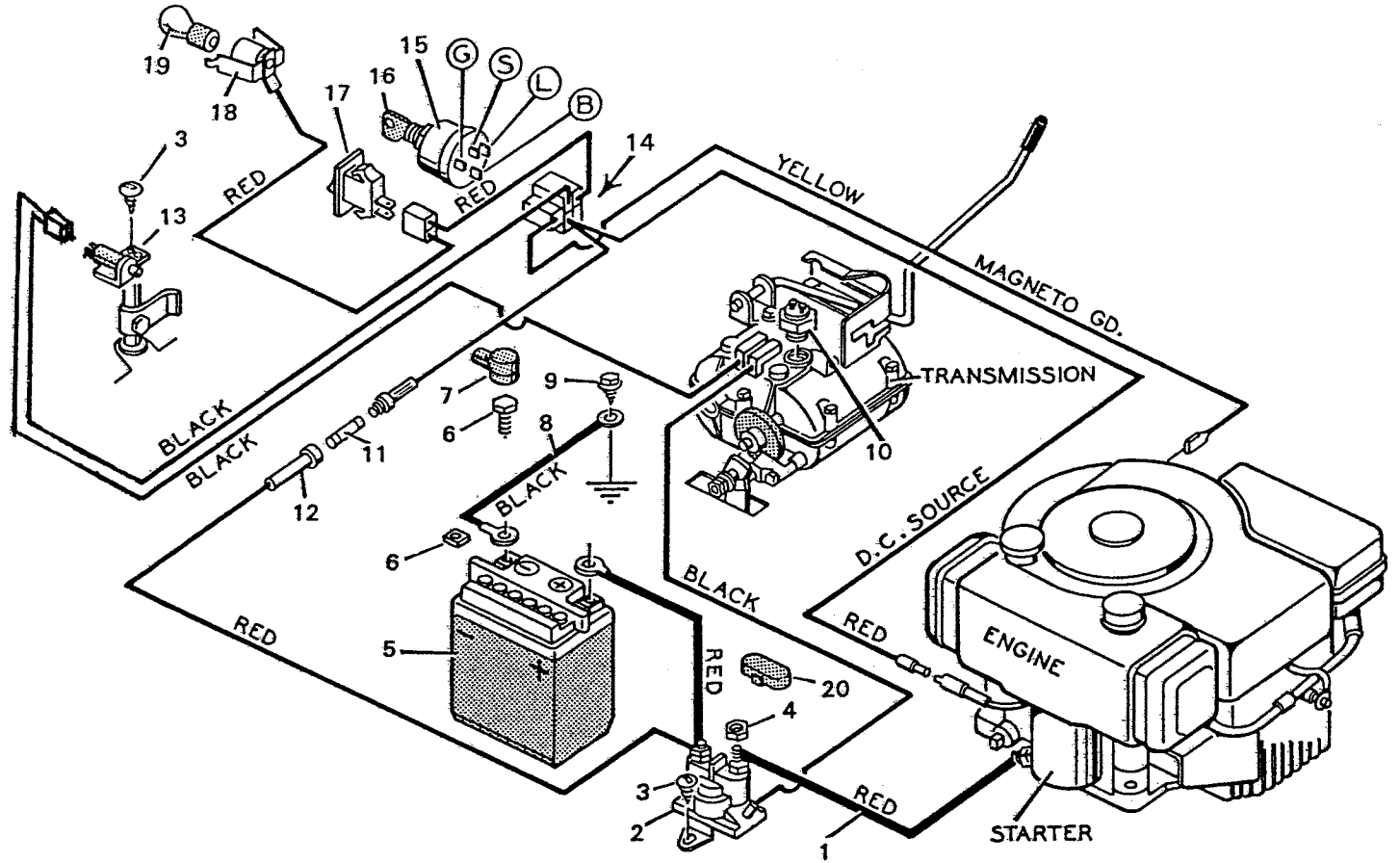
**BLADE HOUSING
BOTTOM HALF****MODEL NO. 6-30502**

KEY NO.	DESCRIPTION	PART NO.
1	Belt, Blade Drive	37X57
2	Pulley	90242
3	Mandrel	55272
4	Woodruff Key #6	20062
5	Locknut 3/8''-16	15X84
6	Pulley, Idler	20613
7	Bracket, Top Idler Pivot	55301
8	Screw	26X49
9	Locknut 5/16-18	15X88
10	Strap, Deck Brace	55305
11	Clevis Pin	29X99
12	Hair Pin	20692
13	Idler Assembly, Blade	55286
14	Belt Guide	55296Z
15	Hex Bolt 5/16''-18X5/8''	1X45
16	Bracket, Lower Pivot	55297
17	Spring, Blade Brake Extension	165X57
18	Hanger Assembly, Left Rear*	55343
19	Locknut 5/16''-18*	15X79
20	Hanger Assembly, Right Rear*	55342
21	Spacer, Bearing	55273Z
22	Blade Housing Assembly	55375
23	Cap, Push On	28X23
24	Rod, Deflector	21197Z
25	Bracket, Rear Deflector*	21185
26	Hex Nut #10-24*	15X51
27	Screw, Machine #10-24X5/8''	4X21
28	Spring, Torsional	166X4
29	Locknut 1/4''-20*	15X89
30	Bolt, Carriage*	2X39
31	Horn Guard*	20581
32	Chute Deflector	24540
33	Bolt, Carriage*	2X53
34	Locknut 1/4''-20	15X82
35	Skid, Right*	90352
36	Skid, Left*	90353
37	Pull Pin	55142Z
38	Washer	17X67Z
39	Hair Pin	75336
40	Bracket, Front*	55302
41	Hex Bolt 1/4''-20X5/8''*	1X38
42	Mandrel Housing	24384
43	Hex Bolt 5/16''-18X1''	1X84
44	Blade Adapter	54211
45	Blade, 30''	24524
46	Washer	21673
47	Washer	20663Z
48	Lockwasher, Spring	18X27
49	Hex Nut	15X72
50	Washer	24614Z
--	Blade Housing, Complete	403197

*NOTE: These parts are included with the blade housing assembly, key number 22.

MODEL NO. 6-30502

WIRING DIAGRAM



WIRING DIAGRAM**MODEL NO. 6-30502**

KEY NO.	DESCRIPTION	PART NO.	KEY NO.	DESCRIPTION	PART NO.
1	Battery Cable	24X12	11	Fuse, 15 AMP	23752
2	Solenoid	24285	12	Fuse Holder	407058
3	Screw	26X233	13	Limit Switch	24273
4	Keps Nut 1/4''-20	15X66	14	Wiring Harness, with light	55185
5	Battery	23581		Wiring Harness, without light	55186
#	Electrolyte (Battery Acid)	55320	*	Wire Clamp	21980
6	Battery Hardware	402012	15	Key & Switch Assembly	21064PA
7	Battery Boot	24196	16	Key Only	20729
8	Battery Cable, Ground	24X9	17	Light Switch +	90647
9	Screw	26X49	18	Light Socket +	90155
10	Limit Switch, Transmission	23479	19	Light Bult +	90084
			20	Solenoid Cap	90565
			*	Tie Strap	32618