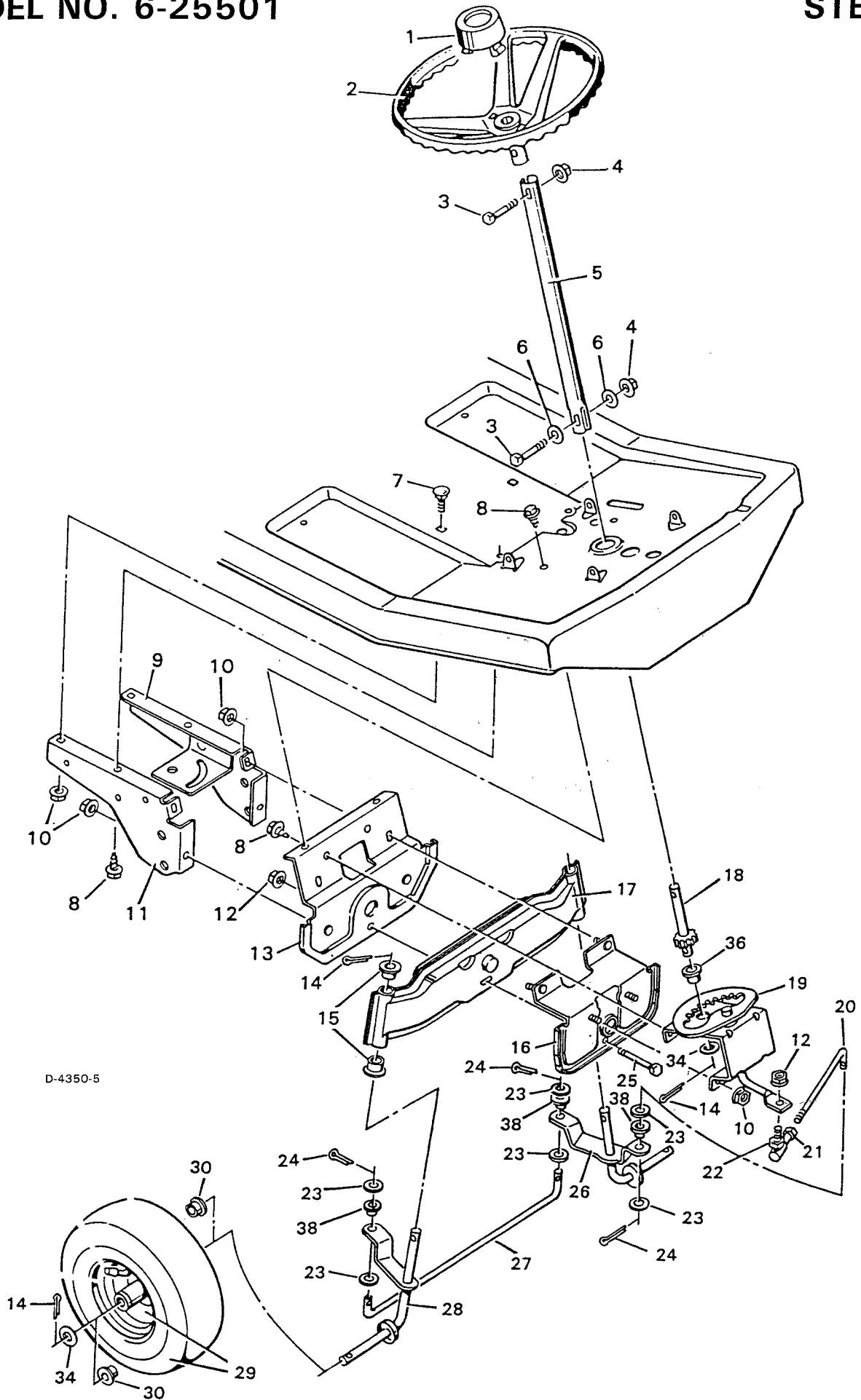


KEY NO.	DESCRIPTION	PART NO.
1	Seat	23568
5	Screw	26X49
7	Washer	10851 Z
8	Seat Support	55060
9	Washer	20663Z
10	Hex Bolt 1/2"-13X3/4"	1X88
13	Engine	+
16	Washer, Shakeproof	19X8
17	Bolt, Engine Mount	20103
18	Woodruff Key #6	20062
19	Control & Cable	55331PA
20	Rear Body Assembly, without light	55008
21	Nut, Tinnerman 1/4"-20	28X18
22	Frame Channel	55192
27	Screw, Tapping	26X159
28	Screw, Tapping	26X214
30	Bushing	55176
31	Bolt, Hex 1/4"-20X5/8"	6X74
32	Mat, Running Board (R.H.)	55102
33	Mat, Running Board (L.H.)	55103
34	Console Plate	55023
35	Bearing, Steering Post	55004
36	Console Assembly, without light	55018
39	Screw, Machine 1/4"-20X1/2"	4X24
40	Washer	19X6
44	Shakeproof Washer	19X36
47	Rear Body Support	55017Z
48	Bolt, Hex 5/16"-24X1 1/4"	1X74
49	Washer	17X47Z
50	Locknut, Stover	15X42
#	Instruction Book	F-8043
#	Parts Book	F-8044
#	Parts Bag	55370
#	Decal-Shroud RH	58X852
#	Decal-Shroud LH	58X853
#	Decal-Console RH	58X856
#	Decal-Console LH	58X857

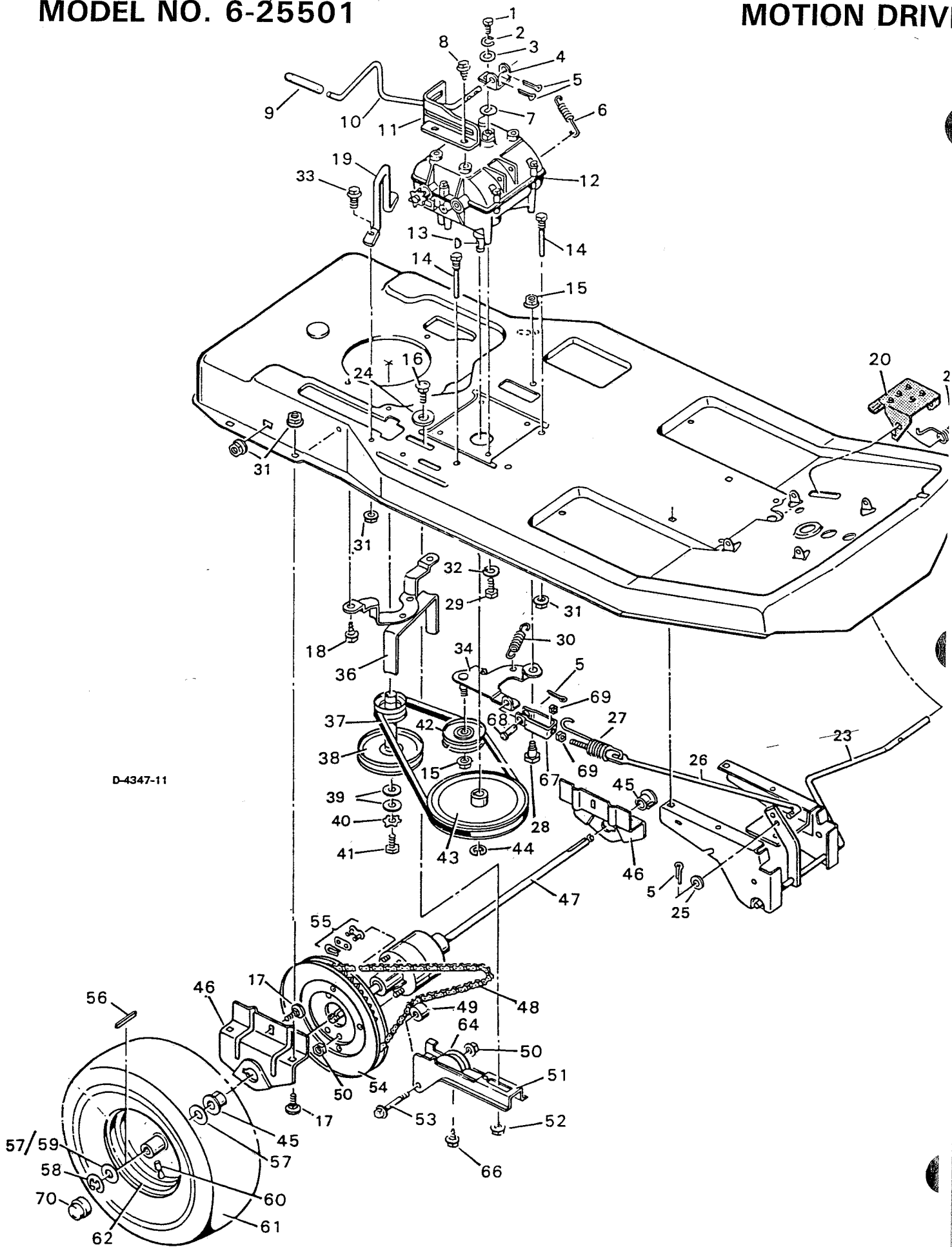
+ NOTE: The engine model, type, and code numbers are on the engine. All parts for the engine are available from a Briggs & Stratton Authorized Service Center. See "Engines, Gasoline" or "Gasoline Engines" in the yellow pages of the telephone directory.



KEY NO.	DESCRIPTION	PART NO.
1	Cat, Steering Wheel	55367
2	Steering Wheel	55368
3	Hex Bolt 5/16''-18X1 1/2''	1X102
4	Locknut, Flange 5/16''-13	15X88
5	Steering Post	90103C
6	Washer	17X47Z
7	Carriage Bolt 5/16''-18x5/8''	2X53
8	Screw Tapping	26X49
9	Suspension Plate, Right	55385
10	Hex Nut, Flange	15X79
11	Suspension Plate, Right	55352
12	Locknut, Flange 3/8''-24	15X87
13	Front Axle Support Assembly	55056
14	Cotter Pin	30X49
15	Spindle Bearing	55003
16	Front Axle Hanger Assembly	55655
17	Front Axle Assembly	55024
18	Pinion Gear	55001
19	Sector Assembly	55746
20	Drag Link	55046
21	Hex Nut 3/8''-24	15x61
22	Steering Ball Joint	21031
23	Washer	17X53
24	Cotter Pin	30X20
25	Hex Bolt 3/8''-24X2 3/8''	1X69
26	Left Spindle Assembly	55381
27	Tie Rod	55026
28	Right Spindle Assembly	55380
29	Wheel & Tire Assembly**	54249
30	Bearing*	55598
34	Washer	17X100
36	Bearing	55168
38	Bushing, Nylon	55547

\* Part is included with key no. 29

\*\*When you order a tire, make sure to give the brand name of the tire so that the tread pattern of the tire will match.



D-4347-11

**MOTION DRIVE****MODEL NO. 6-25501**

KEY NO.	DESCRIPTION	PART NO.	KEY NO.	DESCRIPTION	PART NO.
1	Hex Bolt 1/4''-20X5/8''	1X82	36	Belt Guide Assembly	55053Z
2	Spring Lockwasher	18X32	37	Drive Belt, Traction	37X38
3	Washer	17X32Z	38	Stack Pulley Assembly	1085TZ
4	Transmission Yoke	24834Z	39	Washer	55112Z
5	Cotter Pin	30X20	40	Washer	10854Z
6	Extension Spring, Brake Return	165X28	41	Hex Bolt 7/16''-20X1''	1X20
7	Washer	17X134	42	Idler Pulley	20613
8	Screw, Tapping	26X207	43	Pulley, Transmission	55101
9	Grip	55321	44	Retainer Ring	11x7
10	Shift Lever	55740Z	45	Axle Bearing, Flange	55597
11	Transmission Gate	55263Z	46	Bracket, Rear Axle	55063
12	Transmission, Peerless 756B	+	47	Differential, Peerless 100-015	+
13	Woodruff Key #9	20697	48	Roller Chain	55114
14	Guide Screw	20619	49	Roller**	90176
15	Locknut, Flange 3/8''-16	15X84	50	Locknut, Flange 5/16''-18**	15X88
16	Carriage Bolt 3/8''-16X3/4''	2X56	51	Chain Adjustment Bracket	55194
17	Carriage Bolt 5/16''-18X5/8''	2X53Z	52	Hex Nut, Flange 3/8''-16	15X68Z
18	Screw, Tapping	26X49	53	Shoulder Bolt 5/16''-18X1.72**	9X22
19	Chain Clamp	23553Z	53	Sprocket & Chain Guard, 40 Tooth	55761
20	Pedal, Clutch/Brake	55395	55	Connecting Link	407059
21	Torsional Spring, Pedal	166X18	56	Key, Square 3/16''	21553
23	Lever Assembly, Brake/Clutch	55656	57	Washer***	21521
24	Washer	17X67Z	58	E-Ring	11X3
25	Washer	17X47Z	59	Washer***	17X115Z
26	Rod, Brake/Clutch	55495Z	60	Valve Stem & Cap	24373
27	Extension Spring, Brake	165X42	61	Tire Only*	24379
28	Shoulder Bolt 3/8''-16X7/8''	9X30	62	Wheel Only	24994E
29	Hex Bolt 5/16''-18X3/4''	1X91	64	Guide Block**	23403
30	Extension Spring, Clutch	165X39	66	Screw, Tapping**	26X214
31	Hex Nut, Flange 5/16''-18	15X79	67	Clevis	21915Z
32	Lockwasher	18X15	68	Clevis Pin	29X99
33	Hex Bolt 5/16''-18X5/8''	1X45	69	Hex Nut	15X2
34	Idler Arm Assembly	55067Z	70	Hub Caps	24582

+NOTE: Replacement parts for the transmission or differential are available from a Tecumseh Authorized Service Center. See Engines, Gasoline'' or ''Gasoline Engines'' in the yellow pages of the telephone directory.

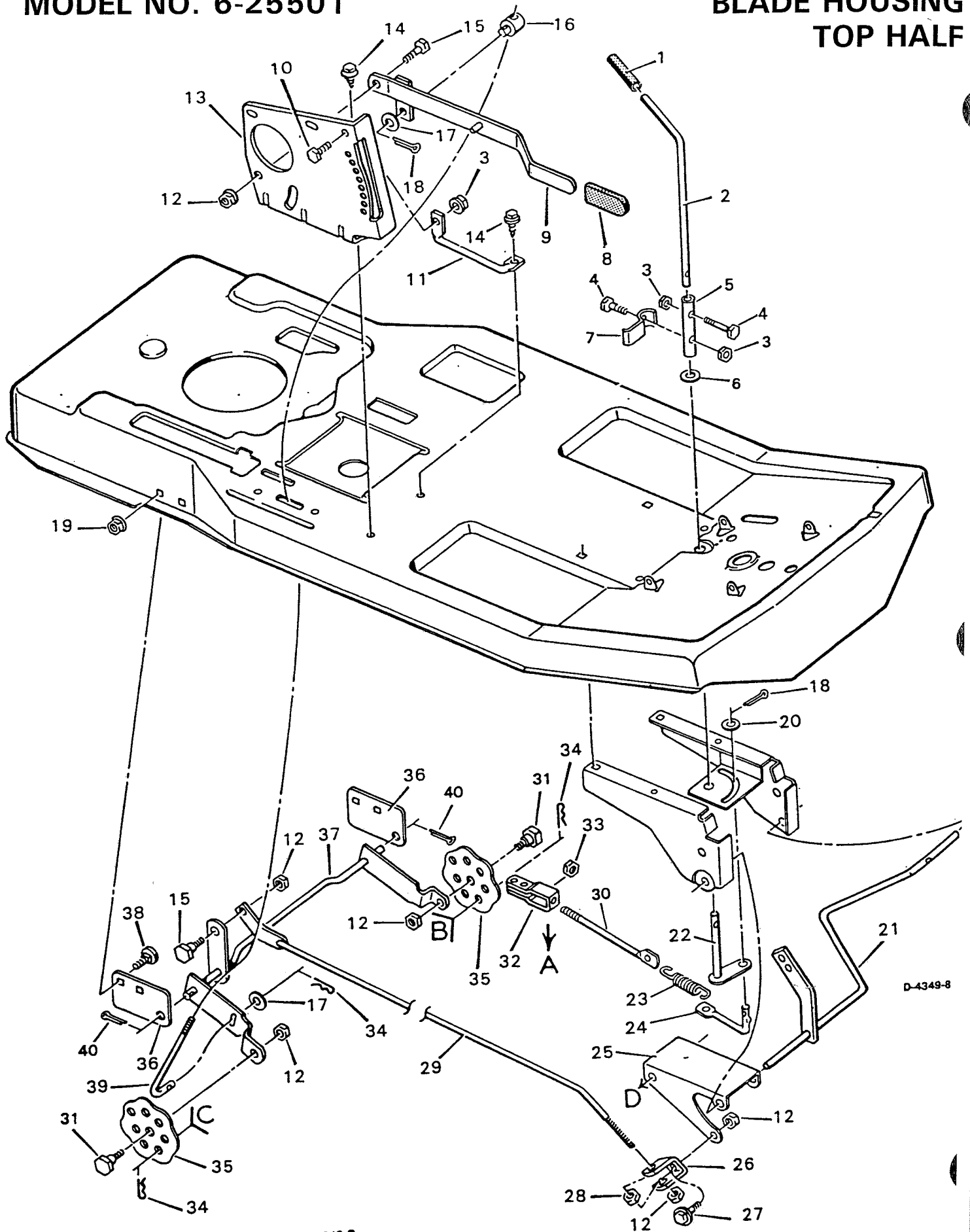
\*NOTE: For replacement parts, always give the name of the side of the tire so that the tire pattern will be the same.

\*\*NOTE: These parts are included with the chain adjusting bracket, key no 51.

\*\*\*NOTE: If equipped with plastic hub caps, use washers 17X115 on the outside of the wheels.

# MODEL NO. 6-25501

# BLADE HOUSING TOP HALF



D-4349-7

D-4349-8

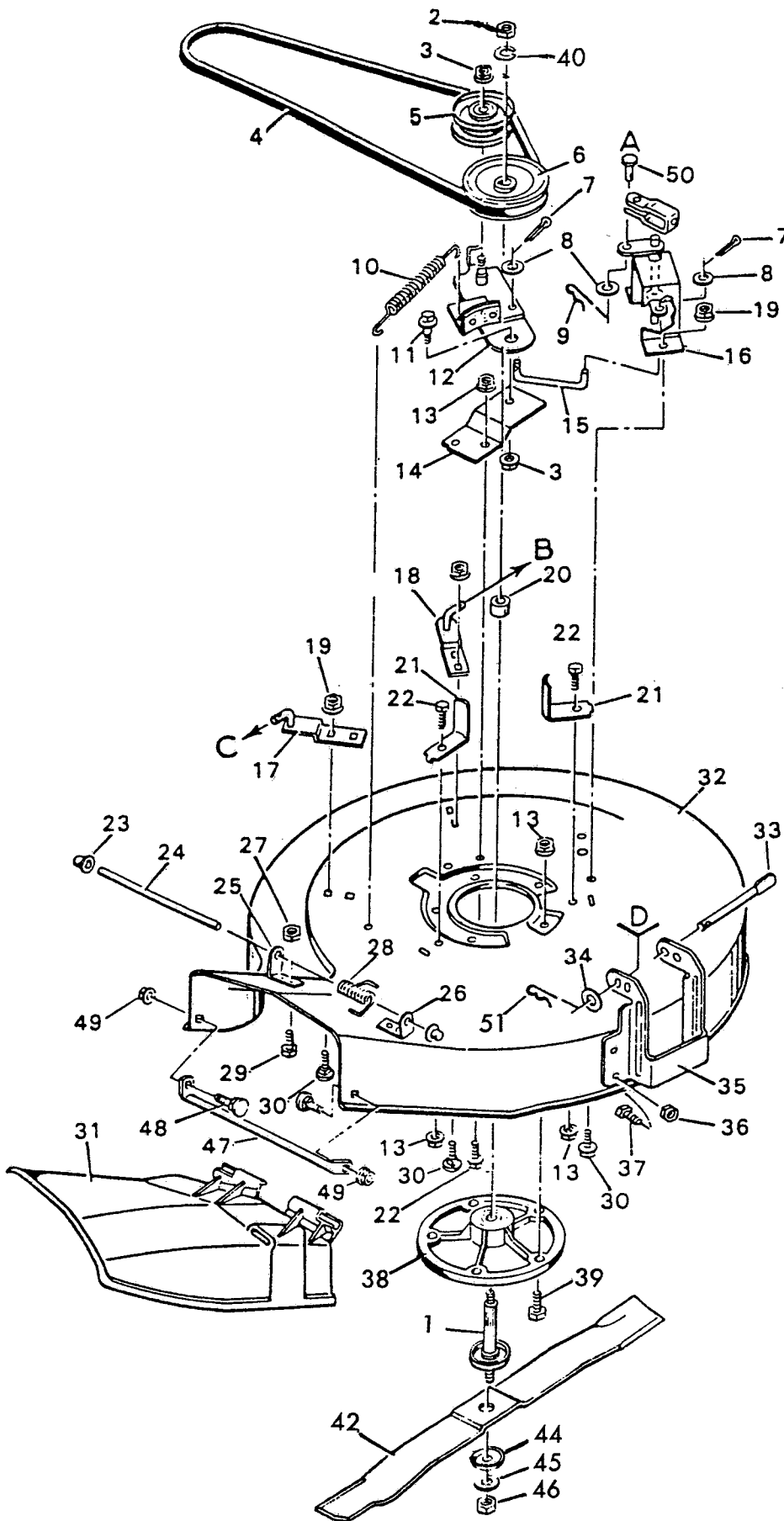
**BLADE HOUSING  
TOP HALF****MODEL NO. 6-25501**

KEY NO.	DESCRIPTION	PART NO.
1	Grip, Blade Control Lever	20476
2	Lever, Blade Control	55391Z
3	Locknut, Flange 1/4''-20	15X89
4	Bolt, Hex 1/4''-20	1X76
5	Tube, Blade Lever	55088
6	Washer	17X67Z
7	Bracket, Switch	55347
8	Grip, Lifter	21249
9	Lever Assembly, Lifter	55356
10	Bolt, Hex 1/4''-20X5/8''	1X38
11	Strut	55348
12	Locknut, Flange 3/8''-16	15X84
13	Plate, Index	55365
14	Screw	26X49
15	Bolt, Shoulder 3/8''-16	9X9
16	Nut, Adjuster	21920
17	Washer	17X53
18	Pin, Cotter	30X20
19	Nut, Hex Flange 5/16'' -18	15X88
20	Washer	17X48
21	Lever Assembly	55656
22	Rod & Arm Assembly	55390
23	Spring, Extension	165X7
24	Link, Front Deck.	55179
25	Bracket, Front Suspension	55139
26	Clevis	55298
27	Bolt, Shoulder 3/8''-16	9X17
28	Nut, Hex Jam 3/8''-16	15X73
29	Rod Assembly	55283
30	Link	55219Z
31	Bolt, Shoulder	9X4
32	Clevis, Adjuster	21915Z
33	Nut, Hex 5/16''-18	15X2
34	Hairpin	75336
35	Plate, Adjuster	55344
36	Plate, Mounting	55270
37	Rod Assembly, Suspension	55346
38	Bolt, Carriage	2X53
39	Rod, Blade Brake	24839
40	Cotter Pin	30X49



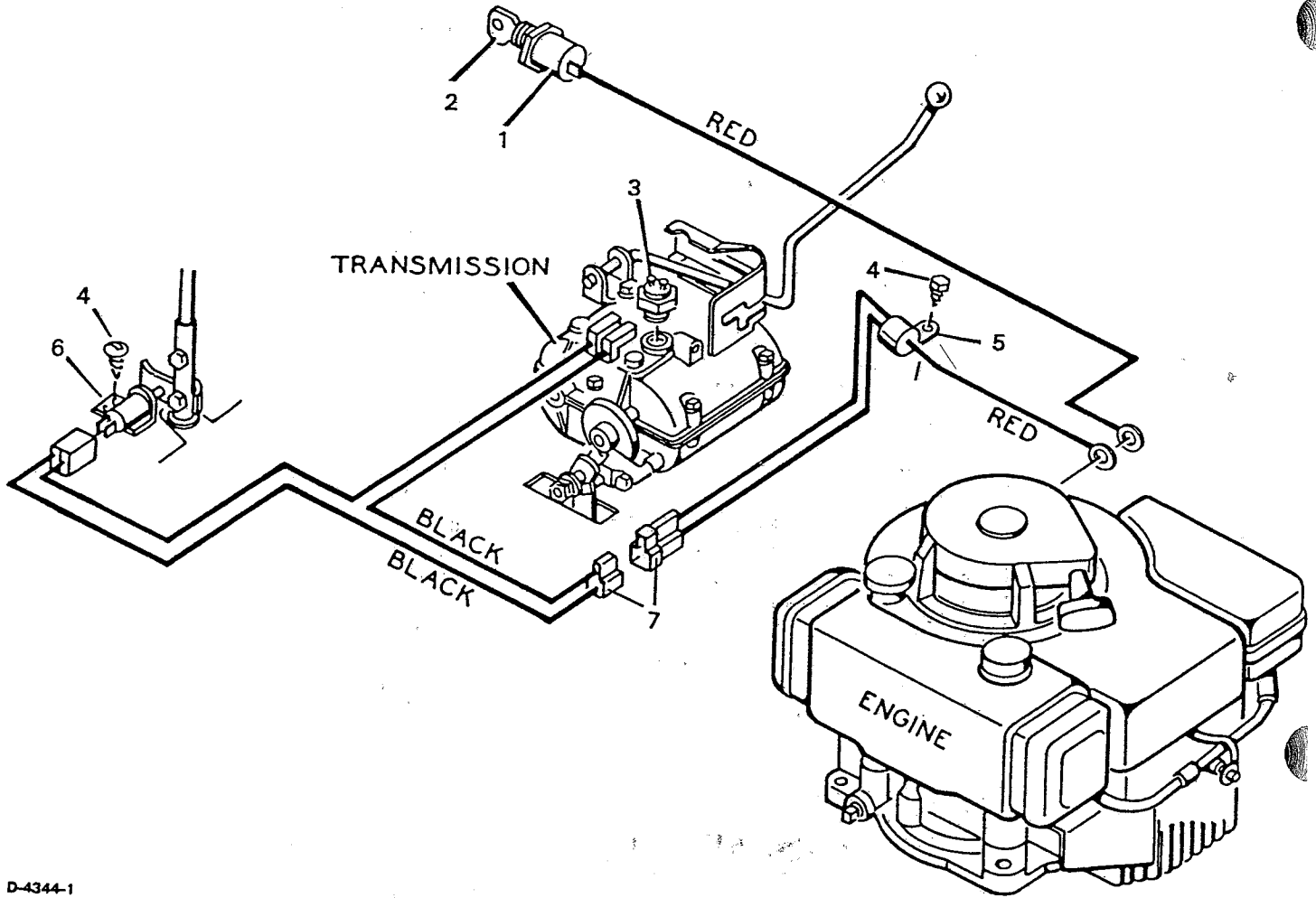
MODEL NO. 6-25501

BLADE HOUSING



KEY NO.	DESCRIPTION	PART NO.
1	Mandrel, Splined	55445
2	Locknut 9/16"-18	15X101
3	Flange Locknut 3/8"-16	15X84
4	Belt-Blade D-drive	37X12
5	Idler Pulley	20613
6	Pulley, Splined	55450
7	Cotter Pin	30X20
8	Washer	17X53Z
9	Hair Pin	20692
10	Extension Spring-Blade Brake	165X43
11	Shoulder Bolt 3/8"-16X7/8"	9X15
12	Blade Idler Assembly	55077
13	Flange Locknut 5/16"-18	15X88
14	Idler Support Bracket	55095
15	Idler Link	55094Z
16	Pivot Rod & Bracket Assembly*	55071
17	Rear Hanger Assembly R.H.*	55339
18	Rear Hanger Assembly L.H.*	55340
19	Flange Hex Nut 5/16"-18*	15X79
20	Jackshaft Spacer	55273Z
21	Belt Guide	55096Z
22	Hex Bolt 5/16"-18X5/8"*	1X45
23	Push On Cap	28X23
24	Deflector Rod	21197Z
25	Rear Deflector Bracket*	21181
26	Front Deflector Bracket*	21186
27	Hex Nut #10-24	15X51
28	Torsional Spring	166X4
29	Machine Screw #10-24X5/8"*	4X21
30	Carriage Bolt 5/16"-18X5/8"*	2X53
31	Chute Deflector	21151
32	Blade Housing & Brackets	55372
33	Pull Pin	55142Z
34	Washer	17X67Z
35	Front Bracket*	55302
36	Keps Nut 1/4"-20*	15X82
37	Machine Screw 1/4"-20X1/2"*	1X38
38	Jackshaft Housing Assembly	24384
39	Hex Bolt 5/16"-18X1"	1X84
40	Lockwasher	18X33
42	Blade-25"	55457
44	Washer, Belleville	17X155
45	Washer, Hardened	17X154
46	Hex Nut 9/16"-18	15X100
47	Horn Guard*	20581
48	Carriage Bolt 1/4"-20X9/16"*	2X39
49	Flange Locknut 1/4"-20*	15X89
50	Clevis Pin	29X99
	Blade Housing Complete	403207
51	Hairpin	75336

NOTE: These numbers are included with key no. 32.



D-4344-1

**WIRING DIAGRAM****MODEL NO. 6-25501**

<b>KEY NO.</b>	<b>DESCRIPTION</b>	<b>PART NO.</b>
1	Ignition Switch Assembly	23665PA
2	Key Only	20729
3	Limit Switch, Transmission	23749
4	Screw	26X233
5	Solid State Module	21361
6	Limit Switch	24273
7	Wiring Harness	55187
--	Clamp, Wire*	21980
--	Tire Strap*	32618