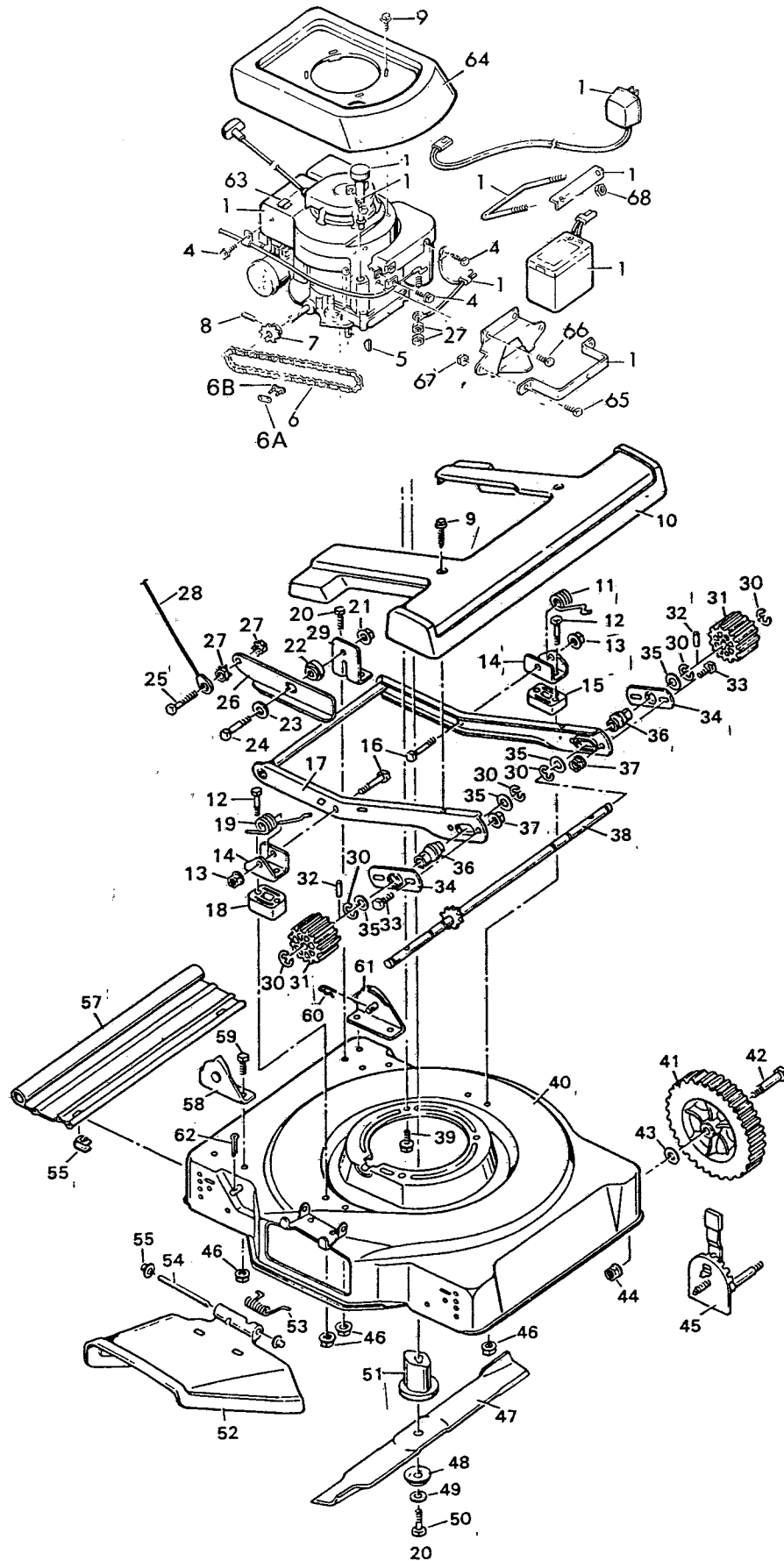


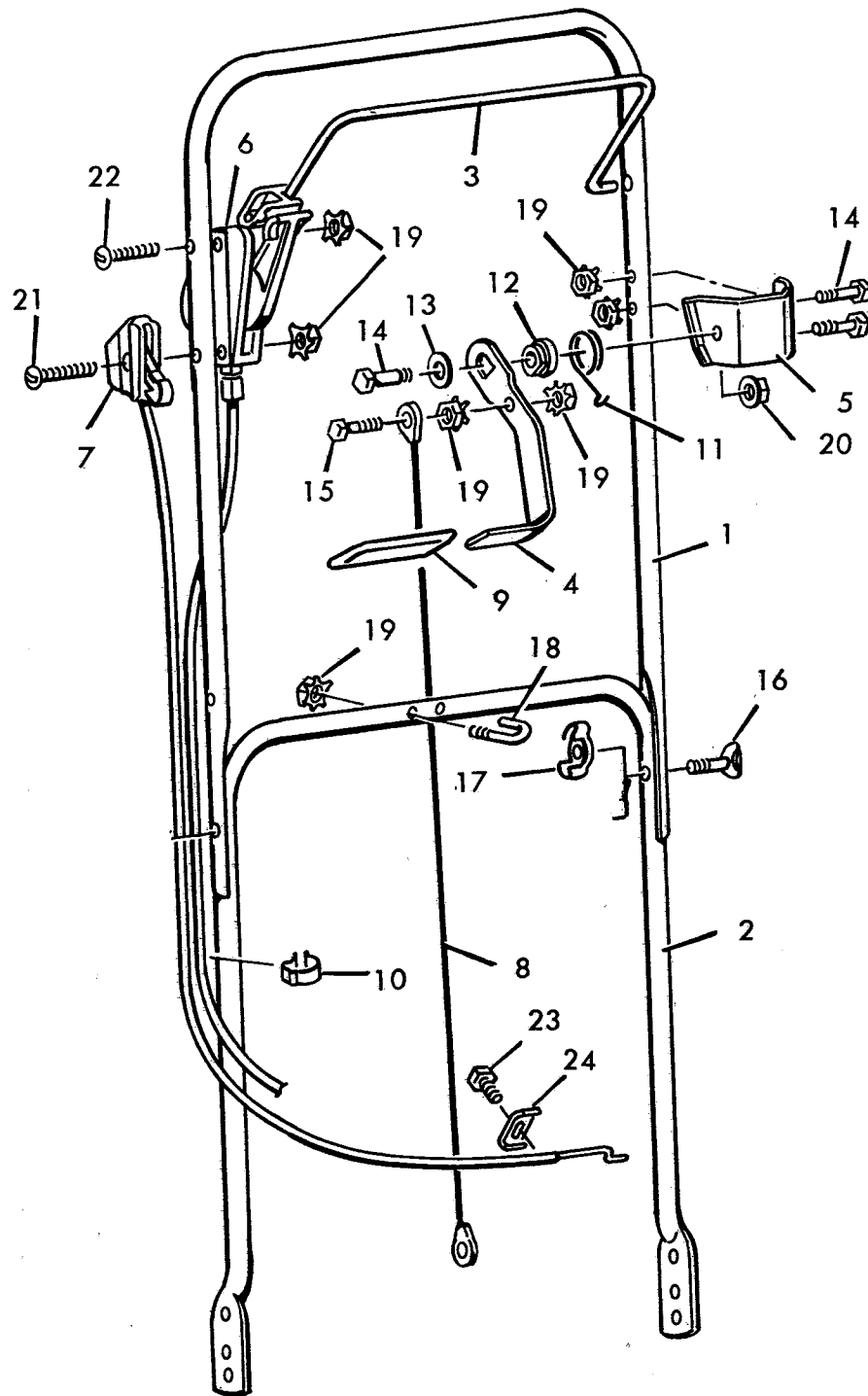
6-22583

22" SELF PROPELLED



KEY NO.	DESCRIPTION	PART NO.
1	Engine	-----
4	Screw #10-32x1/2	26x234
5	Woodruff Key	20062
6	Chain	43127
6a	Snap on Link	11343
6b	Roller Link	11344
7	Sprocket, Drive	20411
8	Pin, Spring	32x64
9	Screw, Tapping	26x230
10	Guard, Pinion	43113
11	Spring, Left Torsion	165x25
12	Bolt, Hex 1/4"-20x1 1/2"	1x71
12a	Bolt Hex 1/4"-20x1 3/4 (RH Front)	1x90
13	Locknut, Flange 3/8"-16	15x84
14	Bracket, Drive Arm	43103 Z
15	Spacer, Left	43119
16	Bolt, Hex 3/8"-16	1x87
17	Drive Arm Assembly	43112 E
18	Spacer, Right	43120
19	Spring, Right Torsion	166x24
20	Bolt	1x38
21	Nut, Flange Hex	15x68 Z
22	Bushing	43122
23	Washer, Nylon	43121
24	Bolt, Shoulder 3/8"-16	9x31 Z
25	Bolt, Hex 1/4"-20x1 1/4"	20412
26	Pivot Arm	43106 Z
27	Nut, Keps	15x66
28	Cable, Drive - Folding Handle	43129
29	Bracket, Pivot Arm	43102
30	Retainer Ring	11x8
31	Drive Pinion	20066
32	Spring Pin	32x64
33	Bolt, Hex 1/4"-20x5/8"	1x38
34	Retainer, Bearing	43107 Z
35	Washer	17x100 Z
36	Bearing	20048
37	Nut, Flange 1/4"-20	15x82
38	Drive Shaft & Sprocket Assembly for models w/Height Adjusters	43109 Z
39	Bolt, Engine	20103
40	Housing, for models w/Folding Handle	70089
41	Wheel and Tire**	22125
45	Wheel Adjuster - See Page - 38	-----
46	Locknut, Flange	15x82
47	Blade	20046 HT
48	Washer, Belleville	17x137
49	Washer	17x124
50	Bolt	1x69
51	Rotary Blade Adapter	42735
52	Chute Deflector	42919
53	Spring, Torsion	166x5
54	Pin, Pivot	22326 Z
55	Push on Cap	28x42
56	Retainer	42743
57	Deflector, Rear	42747
58	Bracket, Handle	42712
59	Bolt	1x38
60	Pin, Hair	20101
61	Bracket, Left Handle	42713
62	Cotter Pin	30x35
63	Stop, Rope	42189
64	Shroud Assembly	70062
65	Hex Bolt	1X45
66	Screw	25X2
67	Flange Nut	15X79Z
68	Lock Nut	15X89
	Parts Bag	43014
	Instruction Book	F-7890
	Grass Catcher Assembly	6-24065

*The engine model, type, and code numbers are on the engine. All parts to the engine are available from a Briggs & Stratton Authorized Service Center. See *Engines, Gasoline" or "Gasoline Engines" in the yellow pages of the telephone directory.



HANDLE

For Murray Parts Call 606-678-9623 or 606-561-4983

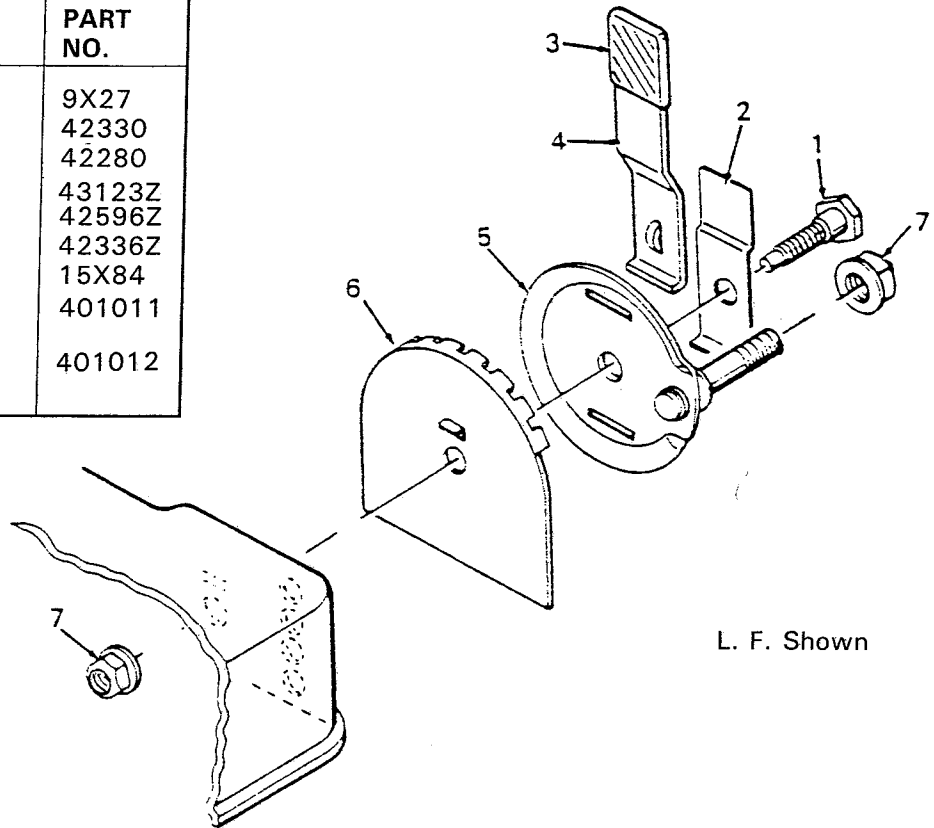
6-22583

KEY NO.	DESCRIPTION	PART NO.
1	Handle Upper	43115C
2	Handle Lower	42891 C
3	Bail	43116 C
4	Lever	43101 Z
5	Lever Support Assembly	43136
6	Control - Electric Start	42226
7	Control - Throttle	42946
8	Cable - Drive	43129
9	Grip - Vinyl	43126
10	Clamp	42950
11	Spring - Torsion	166X26
12	Bushing	43122
13	Washer Nylon	43121
14	Bolt - Hex	1X94
15	Bolt	20412
16	Contour Head Bolt 5/16-18	6X73Z
17	Wing Nut - 5/16-18 HC	14X83Z
18	"V" Bolt	42896Z
19	Nut Keps 1/4-20	15X66
20	Nut Flange 1/4-20	15X68Z
21	Screw #10-24, X 2.5"	3X76
22	Screw #10-24, X 2"	3X147
23	Screw	26X181
24	Clamp	20073

For Murray Parts Call 606-678-9623 or 606-561-4983

Wheel Adjuster Assembly For 6-22551, 6-22583, 6-22251, 6-22261, 6-22271 & 6-Specials of These Murray Models

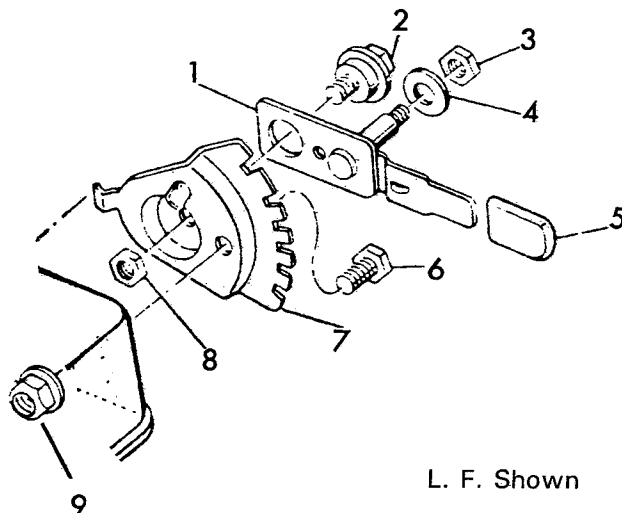
KEY NO.	DESCRIPTION	PART NO.
1	Shoulder Bolt	9X27
2	Spring	42330
3	Grip	42280
4	Adjuster Lever	43123Z
5	Wheel Adjuster Bracket	42596Z
6	Index Plate	42336Z
7	Flange Nut	15X84
1-7	Wheel Adjuster Assembly Right Front or Left Rear	401011
1-7	Wheel Adjuster Assembly Left Front or Right Rear	401012



L. F. Shown

Wheel Adjuster Assembly For 6-21951, 6-21961 & 6-Specials Of These Murray Models

KEY NO.	DESCRIPTION	PART NO.
1	Adjuster Lever, Rear Bagger	42757
2	Shoulder Bolt	9X26
3	Hex Nut	15X84
4	Washer	17X102Z
5	Grip	20065
6	Hex Bolt	1X85
7	Index Plate-LF,RR	42753Z
	Index Plate-RF,LR	42754Z
8	Hex Nut	15X97
9	Flange Nut	15X68Z
1-9	Height Adj. Ass'y, Rear Bagger (For right front or left rear)	400275
	Height Adj. Ass'y, Rear Bagger (For left front or right rear)	400276



L. F. Shown